



www.ivt-ht.com | tools for every use



EN	Circular saw	10-15	CZ	Kotoučová píla	64-69
DE	Kreissäge	16-23	BG	Ръчен циркуляр	70-77
RU	Ручная циркулярная пила	24-31	SK	Kruhová píla - cirkulárka	78-83
KZ	Циркулярлық ара	32-39	RO	Ferăstrău circular	84-89
PL	Pilarka tarczowa	40-45	LT	Diskinis pjūklas	90-95
BE	Цыркулярная піла	46-51	LV	Ripzāģis	96-101
UK	Циркулярна пила	52-57	ES	Sierra circular	102-107
IT	Sega circolare	58-63	FR	Scie circulaire	108-113



CS-185-RC

**EN****CONGRATULATION!**

Dear customer,

IVT team would like to thank you for your choice and for the confidence you put in our product.

Our aim is always to offer an innovative, high-class-strong and prize-adequate product to the customer.

We wish you'll get much satisfaction from all your do-it-yourself activities, by using this tool.

Your IVT Swiss SA Team

NOTE: Illustrations, figures, photos and contents might vary slightly due to our program of continuous product improvements.

RU**ПОЗДРАВЛЯЕМ!**

Уважаемый Покупатель,

Коллектив компании IVT благодарит вас за оказанное доверие и выбор в пользу нашей продукции.

Мы стремимся к тому, чтобы у наших покупателей была возможность пользоваться только современными, прочными и высококачественными продуктами.

Надеемся, что с нашими инструментами вы получите истинное удовольствие от работы.

С уважением, коллектив IVT Swiss SA

ПРИМЕЧАНИЕ: Рисунки, количественные данные, фотографии и содержание инструкции могут изменяться в силу постоянного усовершенствования нашей продукции.

DE**WIR GRATULIEREN!**

Sehr geehrter Kunde,

das Team der Firma IVT dankt Ihnen für Ihr Vertrauen und für die Wahl unserer Produktion.

Wir streben danach, damit unsere Kunden die Möglichkeit haben, nur moderne, feste und hochwertige Produkte zu benutzen.

Wir hoffen, dass mit unseren Werkzeugen Sie ein wirkliches Vergnügen von der Arbeit bekommen.

Mit freundlichen Grüßen, Team IVT Swiss SA

ANMERKUNG: Bilder, Mengenangaben, Fotos und der Inhalt der Anleitung können sich kraft der ständigen Nacharbeit unserer Produktion verändern.

KZ**ҚҰТТЫҚТАЙМЫЗ!**

Құрметті сатып алушы,

IVT компаниясының ұжымы Сізге бізге сенім артқаныңыз үшін және біздің өнімімізді таңдағаныңыз үшін алғыс білдіреді.

Біз Сіздерге инновациялық, жоғарғы классты және жоғары сапалы өнімді тиімді бағамен ұсынуға үнемі ұмтылып келеміз.

Біздің құралдарыңызбен сіз өз жұмысыңыздан рахаттанасыз деп үміттенеміз.

Ізгі ниетпен, IVT Swiss SA ұжымы

ЕСКЕРТУ: Суреттер, сандық мәліметтер және нұсқаудың мазмұны біздің өнімнің үздіксіз жетілуіне байланысты өзгеруі мүмкін.



PL GRATULUJEMY!

Szanowny Kliencie,

Załoga firmy IVT dziękuje Państwu za okazane zaufanie i wybranie naszego produktu. Dążymy do tego, aby nasi klienci mieli możliwość użytkowania jedynie nowoczesnych, trwałych i wysokiej jakościowych produktów.

Mamy nadzieję, że używając naszych narzędzi będziecie Państwo mieć prawdziwą satysfakcję z pracy.

Z poważaniem, załoga IVT Swiss SA

UWAGA: Rysunki, dane ilościowe, fotografie i treść instrukcji mogą ulegać zmianom z powodu doskonalenia naszych produktów.

UK ВІТАЄМО!

Шановний Клієнт,

Компанія IVT дякує Вам за вибір та довіру до нашої марки. Наша мета - завжди пропонувати Вам інноваційний, якісний інструмент за прийнятною ціною.

Сподіваємося, що з нашими інструментами ви отримаєте задоволення від роботи.

З повагою, колектив IVT Swiss SA

ПРИМІТКА: Малюнки, кількісні дані, фотографії та зміст інструкції можуть змінюватися внаслідок постійного удосконалення нашої продукції.

BE ВІНШУЕМ!

Паважаны Клієнт,

Кампанія IVT дзякуе Вам за выбар і давер, аказаны нашай марцы. Наша мэта - заўсёды прапаноўваць Вам інавацыйны, якасны інструмент па прымальнай цане.

Спадзяемся, што з нашымі інструментамі вы атрымаеце задавальненне ад працы.

Кампанія IVT Swiss SA

НАТАТКА: Малюнкi, колькасныя дадзеныя, фатаграфіі і ўтрыманне інструкцыі могуць змяняцца ў сілу сталага ўдасканалення нашай тавараў

IT CONGRATULAZIONI!

Gentile cliente,

l'azienda IVT desidera ringraziarLa per la scelta e per la fiducia dimostrata nel nostro prodotto. Il nostro obiettivo è offrire sempre prodotti innovativi che garantiscano un adeguato rapporto qualità/prezzo.

Le auguriamo che i suoi lavori di bricolage possano diventare un piacere, utilizzando il nostro prodotto.

La squadra IVT Swiss SA

Nota: illustrazioni, figure, foto e contenuti potrebbero variare leggermente a causa del nostro programma di continuo miglioramento del prodotto.

**CS****GRATULUJEME!**

Vážený zákazník,

tým IVT vám chce poděkovat za důvěru, kterou jste do nás vložili nákupem našeho produktu. Naším cílem je přinášet kvalitní, pokrokové, odolné a cenově výhodné výrobky.

Přejeme vám mnoho spokojenosti při vašem kutilství s pomocí tohoto nástroje.

Váš tým IVT Swiss SA

POZN.: ilustrace, obrázky, fotografie a obsah se mohou mírně lišit od skutečnosti, neboť své produkty neustále vyvíjíme a vylepšujeme.

SK**GRATULUJEME!**

Vážený zákazník,

tým IVT vám chce poďakovať za dôveru, ktorú ste do nás vložili nákupom nášho produktu. Naším cieľom je prinášať kvalitné, pokrokové, odolné a cenovo výhodné výrobky.

Prajeme vám mnoho spokojnosti pri vašom domácom majstrovaní s pomocou tohto nástroja.

Váš tím IVT Swiss SA

POZN.: ilustrácie, obrázky, fotografie a obsah sa môžu mierne líšiť od skutočnosti, pretože svoje produkty neustále vyvíjame a vylepšujeme.

BG**ПОЗДРАВЛЕНИЯ!**

Уважаеми клиенти,

Колективът на фирма IVT ви благодари за оказаното доверие и за избора, направен в полза на нашия продукт. Ние винаги се стремим да предоставим на клиентите си само иновационна, висококачествена продукция от най-висок клас.

Надяваме се, че с нашите инструменти ще получавате истинско удоволствие от работата.

С уважение, колективът на IVT Swiss SA

ЗАБЕЛЕЖКА: Рисунките, количествените данни, снимките и съдържанието на инструкцията могат да бъдат променени поради постоянното усъвършенстване на нашата продукция.

RO**FELICITĂRI!**

Stimate client,

Compania IVT vă mulțumește pentru încredere și alegerea făcută în favoarea produselor noastre. Ne străduim în permanență ca clienții noștri să aibă posibilitatea să procure doar produse inovatoare, de calitate și clasă înaltă.

Sperăm că cu instrumentele noastre, munca vă va aduce numai plăcere.

Cu respect, compania IVT Swiss SA

NOTĂ: Cifrele, datele cantitative, fotografiile și conținutul instrucțiunilor de exploatare pot fi schimbate ca urmare a îmbunătățirii continue a produselor noastre.



LT SVEIKINAME!

Gerbiamas Kliente,

IVT kompanijos kolektyvas dėkoja jums už parodytą pasitikėjimą ir mūsų produkcijos pasirinkimą. Mes visada siekiame suteikti savo klientams galimybę įsigyti tik naujausią, aukščiausio lygio ir kokybės produkciją.

Tikimės, jog jums bus malonu dirbti, naudojant mūsų įrankius.

Pagarbiai, IVT Swiss SA kolektyvas

PASTABA: Instrukcijos paveikslėliai, kiekybiniai rodikliai, nuotraukos ir turinys gali keistis dėl nuolatinio mūsų produkcijos tobulinimo.

ES ¡ENHORABUENA!

Estimado consumidor,

El equipo de IVT le agradece su elección y confianza que ha depositado en nuestro producto. Nuestro objetivo es ofrecer al consumidor un producto innovador, fiable y de alta calidad por el precio adecuado.

Le deseamos que el trabajo con esta herramienta, hecho con sus propias manos, sea un verdadero placer para Usted.

Queda a su disposición, el equipo de IVT Swiss SA

NOTA: Figuras, datos cuantitativos, fotos y contenido del manual pueden verse modificados debido a la constante mejora de nuestros productos.

LV APSVEICAM!

Cienījamo pircēj,

IVT kompānijas kolektīvs pateicas Jums par Jūsu izvēli unūsu produkcijai dāvāto uzticību. Mēs vienmēr cenšamies, lai mūsu pircējiem būtu iespēja iegādāties tikai novatorisku, augstas klases un kvalitatīvu produkciju.

Ceram, ka strādājot ar mūsu instrumentiem, darbs Jums sagādās patiesu baudu.

Ar cieņu, IVT Swiss SA kolektīvs.

PIEZĪME: Zīmējumi, skaitliskie dati, fotogrāfijas un instrukcijas saturs var mainīties mūsu produkcijas pastāvīgas pilnveidošanas rezultātā.

FR FÉLICITATIONS!

Cher client,

Le personnel de l'entreprise IVT vous remercie pour votre choix et la confiance que vous portez à nos produits. Notre objectif est d'offrir à nos clients le plus moderne des produits, le plus sûr et de meilleure qualité à un prix raisonnable.

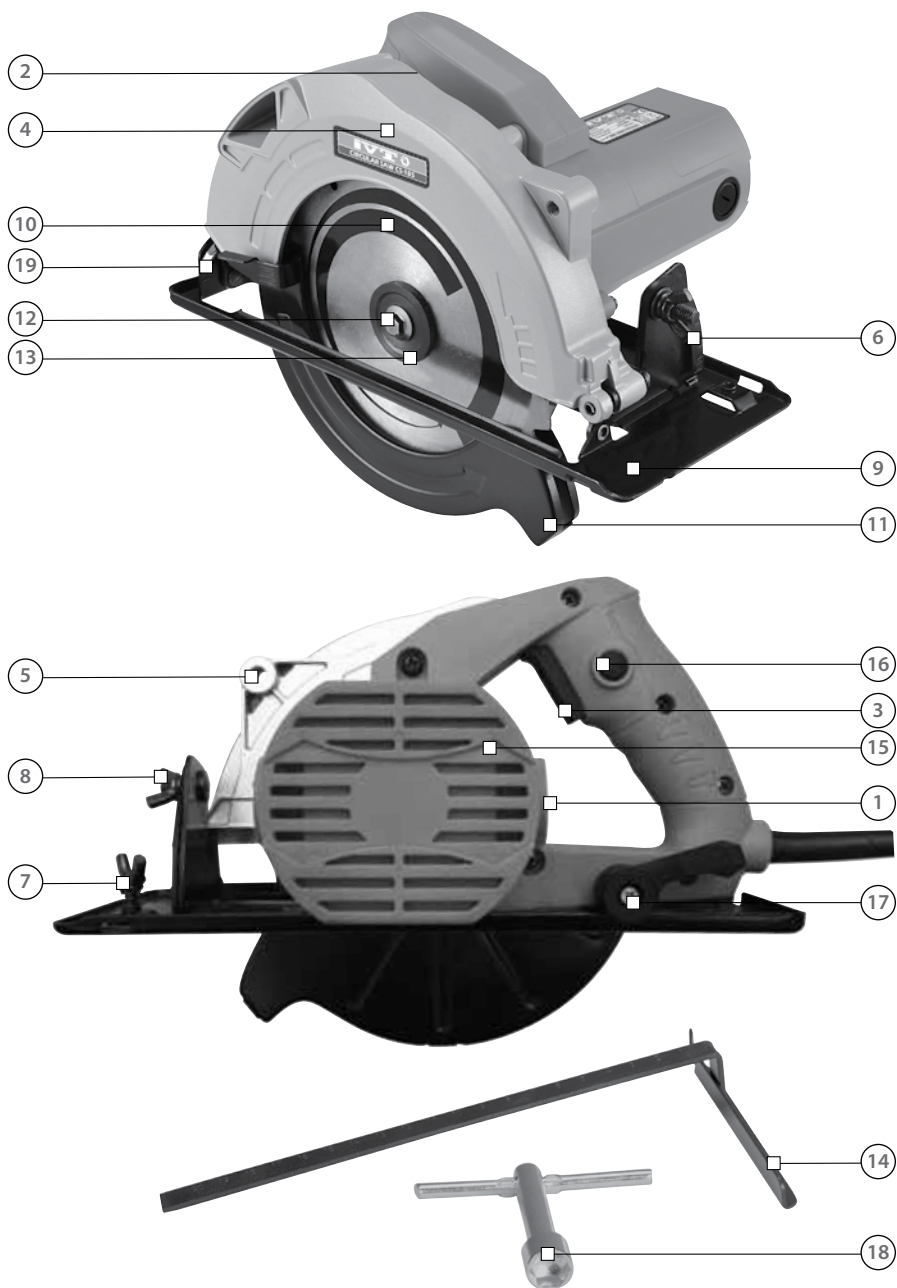
Nous souhaiterions que votre travail manuel soit, grâce à notre appareil, un véritable plaisir.

Le personnel de l'entreprise IVT Swiss SA est toujours à votre disposition.

REMARQUE: Les images, observations quantitatives, photographies et le contenu du manuel peuvent sensiblement changer du au perfectionnement permanent de notre produit.

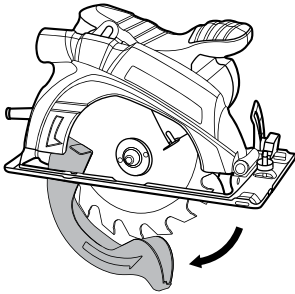
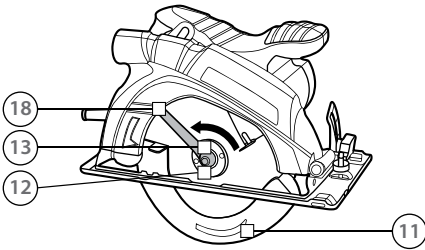


CS-185-RC

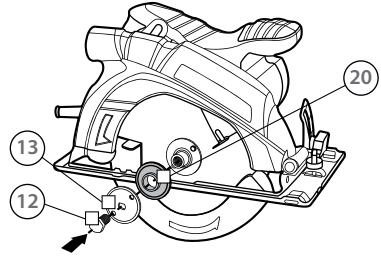




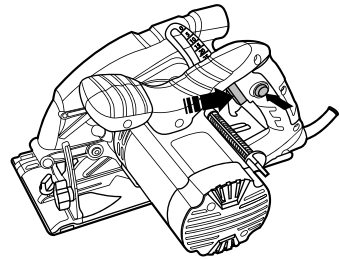
[F1]



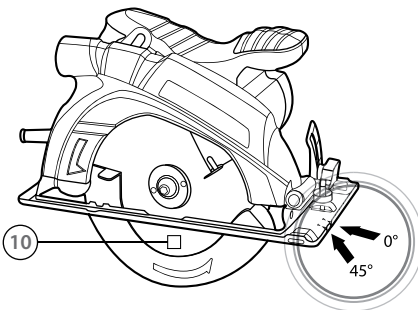
[F2]



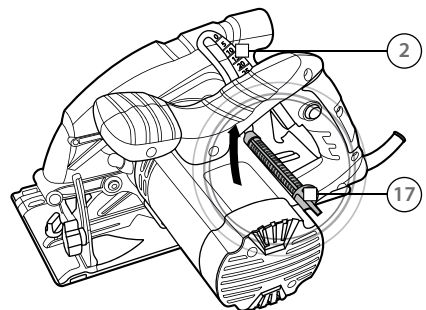
[F3]



[F4]

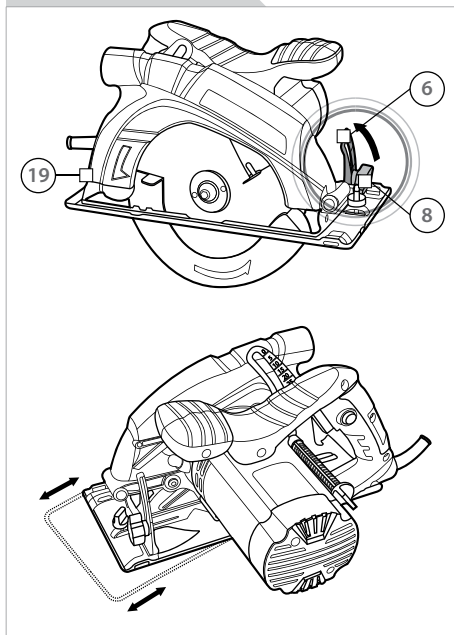


[F5]

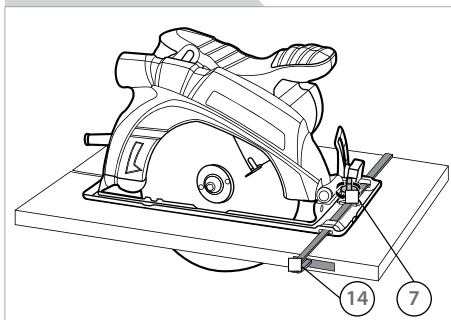




[F6]



[F7]





TOOL SPECIFICATIONS

Model	CS-185-RC
Voltage ~ Frequency [V ~ Hz]	230 ~ 50
Rated power [W]	1400
No-load speed [RPM]	5500
Blade diameter [mm]	185
Blade bore diameter [mm]	25.4
Blade thickness [mm]	1.2
Max. cutting depth 90° [mm]	62
Max. cutting depth 45° [mm]	45
Weight [Kg]	4.5
Safety class	II

PART LIST

1. Dust extraction outlet
2. Cutting depth ruler
3. On/Off switch
4. Saw blade safety casing
5. Auxiliary handle
6. Case inclination ruler
7. Clamping screw of the parallel guide
8. Wing screw for angle adjustment
9. Base plate
10. Saw blade
11. Movable safety guard
12. Saw blade fixing bolt
13. Outer flange
14. Parallel guide
15. Ventilation slots
16. Lock-off button
17. Clamping screw of the cutting depth ruler
18. Spanner
19. Clamping screw of the base plate
20. Inner flange

CONTENT OF THE BOX

Instruction manual (1 pc), parallel guide (1 pc), spanner (1 pc), auxiliary handle (1 pc), carbon brushes set (1 pc).

INTENDED USE

This model row of circular saw is intended for sawing wooden workpieces. The machine is only suitable for right-hand use.

SAFETY REGULATION FOR THE USE

General safety rules

The following listed safety instructions should serve you for the right use of the tool and for the protection of your own safety, therefore, please read this very carefully. When passing this tool to a third person, these instructions must be handed too.

Retain this user manual and all other literature supplied with your tool for any future reference.

Comply with all the safety information and the warnings on the tool.

Be familiar with the controls and the proper use of the tool before attempting to use it and above all, make sure you know how to stop to use it in case of emergency.

Following these simple instructions will also maintain your tool in good working order.

The tool must be assembled correctly before use.

Only use the tool for its designed purposes.

On the tool, there may be also decals and further indications about the safety equipment to use that must be considered. The prevention of accidents is dependent upon the awareness, common sense and proper training of everyone involved in the operation, transport, maintenance and storage of the tool.

Never leave the tool unattended.

Never allow children to use the tool. Children should be supervised to ensure that they do not play with the tool. Keep children and pets away. All onlookers should be kept at a safe distance away from the tool when it is in use.

The user is responsible for third parties while working with the tool.

People who aren't acquainted with the operating instructions, children, juveniles who have not yet reached the minimum age for using this tool and people under the influence of alcohol, drugs or medication are not allowed to use the tool. Local regulations may



restrict the age of the operator.



WARNING! The consumption of alcohol, medication and drugs, plus states of illness, fever and fatigue will affect your ability to react. Do not use this tool in any of these situations.

Make sure that all the protective devices (if present) are fitted and are in good condition.

Never operate the tool with defective safety devices or guards (if present), or without safety devices in place. Inspect the entire tool to look for loose parts (e.g. nuts, bolts, screws, etc.) and for any damage. Check at frequent intervals if screws and bolts (if present) are properly tight to be sure the equipment is in safe working condition. Repair or replace them, if necessary, before using the tool. Serious injury to the operator and to the bystanders could result if there's any damage to the tool.

While using the tool, dress properly. Do not wear loose clothing or jewellery that could become caught by the tool. Wear suitable working clothes. It is recommended that legs and feet are covered, to protect them from eventual flying debris. Do not work barefoot or wearing open sandals. Long air should be tidied back.

Keep handles and grips dry, clean and free from oil and grease.

Use proper protective equipment. Use safety glasses and safety gloves. Also use a dust mask during pulverulent operations or if exhaust gases are present. When necessary, use also non-slipping boots or shoes, hardhat and earplugs. If the noise level exceeds 85 dB(A), ear protection is obligatory.



WARNING! Use personal protective equipment! Safety devices and personal protective equipment protect your own health and the health of others and ensure a trouble-free operation of the tool.

Do not start to use the tool if it is in an inverted position or it is not in the right working order.

Ensure that you have a good stand, while you operate with the tool. Keep proper footing and balance at all times.

Keep work area clean. Cluttered areas invite injuries. Before use, all foreign bodies must be removed from the working area, also pay attention to foreign objects during the operation.

Do not force the tool.

Only work in daylight or sufficiently good artificial light.

Never operate the tool without good visibility.

Be careful not to drop the tool or hit it against obstacles.

ATTENTION! Stay alert. Watch what you are doing. Distraction can cause you to lose control. Use common sense.

Electrical safety rules

ATTENTION! When using electrical tools, the following safety instructions should be observed to prevent the risk of electric shock, personal injury and fire. Read and observe these instructions carefully before using the tool.

It is recommended for increased electrical safety to use a Residual Current Device (RCD) with a tripping current of not more than 30 mA. Always check your RCD every time you use it. Consult a reliable electrician.



WARNING! The use of an RCD or other circuit breaker unit does not release the operator from the safety instructions and safe working practices given in this manual.

The main voltage must correspond to the one marked on the labels and on this manual. Do not use other sources of power.

Before inserting the plug in the main socket, make sure that the socket ratings are correct and correspond to those indicated on the rating label on the appliance.

Avoid body contact with grounded surfaces such as pipes, radiators, ranges and refrigerators. This increases risk of electric shock if your body is grounded.



CAUTION! Touching electrified parts may cause death by electric shock or burn.

Never move the appliance by pulling at the cables.

Do not abuse the cord. Keep it away from heat, oil, sharp edges or moving parts.

Always guide the connection line safely.

Do not use power tools near flammable liquids or gases. Always disconnect the appliance from the mains supply before transporting it to other places.



CAUTION! The appliance should always be switched off at the mains before disconnecting any plug and socket connector or extension cables.

Never pass the appliance over the extension cable while the tool is working. Make sure you always know where the cable is.

Do not wire an extension cable directly into your device yourself. Instead, take the device to your nearest authorized Service Centre.

To avoid danger, damaged power cord should be replaced by manufacturer or its agent, or similar qualified person.

Immediately unplug the tool when its cable is damaged or cut.



ATTENTION! DANGER OF ELECTRIC SHOCK!

Consider working area environment. Do not expose power tools to rain. Do not use power tools in damp or wet locations. Keep work area well lit and dry. Try to prevent the device from getting wet or being exposed to humidity. Do not leave it outside overnight. Water entering a power tool will increase the risk of electric shock.

The power supply cable should be checked regularly and, before using it, make sure the cable is not damaged or worn out. If the cable is not in good condition, do not use the appliance; take it to an authorized service centre.

When tool is used outdoor, only use an extension cable that is suitable for outdoor use and which is marked for this specific use. Keep it away from the working area, from damp, wet or oily surfaces and away from heat and flammable materials.

Avoid any accidental starting: make sure that the power switch (if present) is in the «off» position, before plugging the tool in.

Remove adjusting keys or wrenches before turning the tool on.

Do not use the tool if the switch does not turn the tool on or off. Any tool that cannot be controlled with the switch is dangerous and must be repaired.



WARNING! During the use of certain power tools, some dust containing chemicals known to cause cancer, may occur.

Some of these chemicals are: lead from lead based

paints, crystalline silica from bricks and cement and other masonry products, arsenic and chromium from chemically treated lumber and other dangerous products. If dust is present, your risk from these exposures varies, depending on how often you do this type of work. **To reduce your exposure to these chemicals, any time you do pulverulent operations, work in a well ventilated area and work with approved safety equipment, such as dust masks that are specially designed to filter out microscopic particles.**

If the appliance strikes a foreign body, examine the device for signs of damage and carry out any necessary repairs before restarting and continuing to work.

If the appliance starts to vibrate abnormally, turn it off and check for the cause immediately. Vibration is generally a warning of trouble.

Always switch off the appliance and wait until the device completely stops whenever you leave the machine, before carrying out maintenance, before checking, cleaning or working on the appliance.

It is forbidden to move or modify any of the internal parts of the device.

Specific safety rules

- Make sure that all devices mounted on the saw blade are in perfect working order.
- Make sure that the saw blade is set correctly.
- Do not use steel HSS blades which do not meet the specifications stated in this manual.
- Before sawing, remove all nails and other metal objects from the workpiece.
- Never start sawing before the saw reaches its full speed.
- The circular saw may be removed from the workplace only after it is switched off and the cutting blade has stopped.
- Never try to slow the saw blade down by exerting pressure on the side.
- Make sure that the diameter of the internal flange lug corresponds with the internal hole of the saw blade.
- Use only sharp, flawless saw blades. Replace immediately cracked, bent or dull saw blades.
- Direction of the arrow on the cutting blade must always match the direction of the arrow on the circular saw protective case.
- Any removal of circular saw guard devices before sawing is forbidden.
- While sawing small workpieces that are too light to be securely positioned under their own weight, clamping devices must be used.
- Any sawing of asbestos-containing workpieces is forbidden.
- Under no circumstances do not touch the rotating



cutting blade with your hands.

- Do not operate the circular saw overhead.
- Do not block the movable protective case, do not allow it to become clogged with sawdust. Should it be the case, please stop the circular saw and do not resume its operation until the malfunction is fixed.
- Keep hands away from cutting area and the blade. Keep your second hand on auxiliary handle, or motor housing.
- Never hold piece being cut in your hands or across your leg. Secure the workpiece to stable platform.
- Check guard for proper closing before each use.

If blade get jammed, or when interrupting a cut for any reason, release the trigger and hold the saw motionless in the material until the blade comes to a complete stop. Never attempt to remove the saw from the work or pull the saw backward while the blade is in motion or kickback may occur.

UNPACKING

When unpacking, check to make sure that all components are included. Refer to the drawings on this manual. If any parts are missing or broken, please call IVT assistance center.

INITIAL OPERATION

Always use the correct supply voltage: the power supply voltage must match the information quoted on the tool identification plate.

CAUSES AND OPERATOR PREVENTION OF THE KICKBACK

1. Kickback is a sudden reaction to a pinched, bound or misaligned saw blade, causing the uncontrolled saw to lift up and out of the work piece toward the operator.
2. When the blade is pinched or bound tightly by the kerfs closing down, the blade stalls and the motor reaction drives the unit rapidly back toward the operator.
3. If the blade becomes twisted or misaligned in the cut, the teeth at the back edge of the blade can dig into the top surface of the wood, causing the blade to climb out of the kerfs and jump back toward the operator.
4. Kickback is the result of the tool misuse and/or incorrect operating procedures or conditions and can be avoided by taking proper precautions as given below:
 - Maintain a firm grip with both hands on the saw and position your body and arms to allow you to resist kickback forces, which can be controlled by the operator by taking proper precautions.
 - When the blade is binding or interrupting a cut for any reason, release the trigger and hold the saw

motionless in the material until the blade completely stops.

- Never attempt to remove the saw from the work piece or pull the saw backward while the blade is in motion or kickback may occur.
- Investigate and take corrective action to eliminate the cause of blade binding.
- Wet lumber, green lumber or pressure treated lumber require special attention during cutting operation, to prevent kickback.
- Avoid cutting nails. Inspect and remove all nails from lumber before cutting.
- When you restart a saw in a work piece, center the saw blade in the kerfs and check the saw teeth are not engaged into the material. If the saw blade is binding, it may walk up or kickback from the work piece as the saw is restarted.
- Support large panels to minimize the risk of blade pinching and kickback. Large panels tend to sag under their own weight. Supports must be placed under the panel on both sides, near the line of cut and near the edge of the panel.
- Do not use dulled or damaged blade.
- Unsharpened or improperly set blades produce narrow kerfs, causing excessive friction, blade binding and kickback.
- Blade depth and bevel adjusting locking knobs must be tight and secure before cutting. If blade adjustment shifts while cutting, it may cause binding and kickback.
- Using the saw with an excessive cutting depth, increases loading on the unit and susceptibility to twisting of the blade in the kerfs. It also increases the surface area of the blade available for pinching under conditions of kerfs close down.
- Use extra caution when making a «pocket cut» into existing walls or other blind areas. The protruding blade may cut objects that can cause kickback.

INSTALLATION AND ADJUSTMENT OF CIRCULAR SAW ELEMENTS



CAUTION! Before carrying out any works on the power tool it must be disconnected from the mains.

Replacement of saw blade

1. Put the tool on the end of the electric motor case.
2. While holding the outer flange (13) with the pin-spanner (18), unscrew the saw blade fixing bolt (12) with the help of the spanner (18).
3. Shift the movable safety guard (11) so that it is completely inserted into the protective case (4); it shall



be done in order to draw out the saw blade (10) freely. **[F1]**

4. Replace the saw blade (10). When mounting the cutting blade (10) please make sure that the diameter of the seat bore matches the diameter of the ridge on the inner flange (20).

5. Return the movable safety guard (11) into the home position: teeth of the safety blade (10) must be completely encased into the movable safety guard (11).

6. Mount the outer flange (13) (the groove on the outer flange (13) must be set towards the cutting blade) and, while holding it with the pin-spanner (18), tighten the saw blade fixing bolt (12) with the help of the spanner (18). **[F2]**

DUST EXTRACTION



Dust extraction prevents large accumulations of dust, high concentrations of dust in the ambient air and facilitates disposal.

For long periods of working with wood or for commercial use on materials that produce dust that is detrimental to health, the machine is to be connected to a suitable external dust extraction device.

SWITCHING ON / OFF [F3]

Switching On

To switch the machine «on», keep the lock-off button (16) depressed and press the on/off switch (3).

Switching Off

To switch the machine «off», release the on/off switch (3).

OPERATING INSTRUCTION

- Make sure that the workpiece is clamped securely. Please be sure that the workpiece is positioned face down, as the lower edge will be thus processed more accurately.

- The tool has to be switched on before saw blade (10) touches the working piece. Do not apply too much force: cutting operations are not fast. Excessive force applied will not accelerate the job, and will result in the tool overload.

- Hold the power tool with both hands by both handles, as it will provide for the required control of the tool.

- Cut marks indicate the position of the saw blade (10) while carrying out vertical cuts as, well as cuts at 45°. It is advisable to carry out a trial cut to eliminate errors in the course of the operation. **[F4]**

Setting the cutting depth

The power tool design enables the stepless cutting depth adjustment. An accurate cut can be achieved, if the saw blade (10) overhangs the material by about 3 mm.

1. Loosen the clamping screw of the cutting depth ruler (17).
2. Set the desired cutting depth in accordance with the reading on the cutting depth ruler (2).

Tighten the clamping screw of the cutting depth ruler (17). **[F5]**

Adjusting the cutting angle [F6]

The power tool design enables the stepless cutting angle adjustment within the range from 0° to 45°.

1. Loosen the wing screw for angle adjustment (8) and the clamping screw of the base plate (19).
2. Set the desired cutting angle in accordance with the reading on the case inclination ruler (6).
3. Tighten the clamping screws (8) and the clamping screw of the base plate/guide plate (19).
4. Increase or decrease the cutting depth by raise or lower the base plate (9), if necessary.

Cutting with the aid of the parallel guide

The parallel guide (14) enables cutting along the existing straight edge of the workpiece, as well as cutting the bars of equal width.

1. Loosen the clamping screw of the parallel guide (7).
2. Set the desired cutting width in accordance with the reading on the parallel stop scale (14).

Tighten the clamping screw of the parallel guide (7). **[F7]**

MAINTENANCE AND STORAGE



CAUTION! Before any work on the machine itself, pull the mains plug.

- Always keep the tool and the ventilation slots (if present) cleaned. Regular cleaning and maintenance of the appliance will ensure efficiency and prolong the life of your tool.

- If the tool should fail despite the rigorous manufacturing and testing procedures, the repair should be carried out by an authorized iVT customer service.

- Keep all nuts, bolts, and screws tight, to be sure the tool is in safe working condition.

- Replace worn or damaged parts for safety.



- Use only original spare parts. Parts not produced by manufacturer may cause poor fit and possible injury.
- Store the tool in a dry room out of reach of kids and away from any flammable material.
- Never wet the device or spray water on it!

ENVIRONMENTAL PROTECTION



Recycle raw materials instead of disposing as waste.

Tool, accessories and packaging should be sorted for environment-friendly recycling.

The plastic components are labeled for categorized recycling. These instructions are printed on recycled paper manufactured without chlorine.

EN



ATTENTION! DO NOT ATTEMPT TO REPAIR THE PRODUCT BY YOURSELF AND DO NOT TAMPER WITH IT! Any operation of repairing or extraordinary maintenance must be carried out only by a qualified and authorized IVT Service Center. Do not try to modify any internal part of the product! **THIS WILL COMPLETELY VOID THE WARRANTY AND IT COULD CAUSE SERIOUS INJURY AND DAMAGE.**

CHARAKTERISTIK DES GERÄTES

Modell	CS-185-RC
Nennspannung ~ Frequenz [V ~ Hz]	230 ~ 50
Nennaufnahmeleistung [W]	1400
Leerlaufdrehzahl [1 min ⁻¹]	5500
Sägeblattdurchmesser Ø [mm]	185
Sägeblattbohrungs Ø [mm]	25.4
Sägeblattdicke [mm]	1.2
Max. Schnitttiefe bei 45° [mm]	62
Max. Schnitttiefe bei 90° [mm]	45
Gewicht [kg]	4.5
Schutzklasse	II

ERSATZTEILLISTE

1. Ausgang Entstaubung
2. Schnitttiefenanschlag
3. Ein-Aus-Schalter
4. Schutzhaube für Sägeblatt
5. Zusatzgriff
6. Neigungswinkel-Anschlag Gehäuse
7. Klemmschraube Parallelanschlag
8. Flügelschraube Schnittwinkelvorwahl
9. Grundplatte
10. Kreissägeblatt
11. Beweglicher Schutzdeckel
12. Befestigungsschraube Sägeblatt
13. Äußerer Flansch
14. Parallelanschlag
15. Lüftungsschlitze
16. Einschaltperre
17. Klemmschraube Schnitttiefenanschlag
18. Schraubenschlüssel
19. Klemmschraube Grundplatte
20. Innerer Flansch

BOXGEHALT

Bedienungsanleitung (1 St.), parallelanschlag (1 St.), Schraubenschlüssel (1 St.), Zusatzgriff (1 St.), Kohlebürstensatz (1 St.).

ANWENDUNG

Diese Kreissäge kann zum Sägen von Holzwerkstücken eingesetzt werden. Das Werkzeug ist nur zur Rechtsbedienung geeignet.

ARBEITSSICHERHEIT BEIM BETRIEB

Allgemeine Regeln der Arbeitssicherheit

Folgende Anleitungen zur Arbeitssicherheit helfen Ihnen das Werkzeug richtig benutzen und Ihre eigene Sicherheit gewährleisten. Deswegen lesen Sie sie besonnen und aufmerksam.

Im Falle der Übergabe des Werkzeuges für die Benutzung eines Dritten, geben Sie ihm auch vorliegende Anleitungen der Arbeitssicherheit. Behalten Sie diese Anleitung und sonstige Literatur, die mitgeliefert werden. Wenden Sie sich an sie, wenn die Fragen entstehen.

Folgen Sie strikt den Regeln der Arbeitssicherheit und Warnungen, die am Werkzeug angegeben sind.

Vor der Arbeit machen Sie sich mit der Werkzeugsteuerung bekannt, aber, vor allem, studieren Sie die Verfahren seines Nothalts.

Indem Sie diesen einfachen Anleitungen folgen, werden Sie Ihr Werkzeug im einwandfreien Zustand halten.

- Vor dem Einsatz ist das Werkzeug richtig zu montieren.

- Setzen Sie das Werkzeug streng zweckgemäß.

- Nehmen Sie Warnungstafeln und Hinweise am Werkzeug und studieren Sie sie aufmerksam.

Aufmerksamkeit, vernünftiges Herangehen zur Arbeit und eine entsprechende Ausbildung von Personen, die am Betrieb, Transportieren, an der Wartung und Lagerhaltung des Werkzeuges teilnehmen, helfen Unfälle verhindern.

- Lassen Sie das Werkzeug ohne Aufsicht nicht.

- Lassen Sie die Benutzung des Werkzeuges durch Kinder nicht zu. Erlauben Sie den Kindern nicht, mit dem Werkzeug zu spielen. играть с инструментом.

- Lassen Sie das Auffinden von Kindern und Tieren in der Nähe des Werkzeuges nicht zu. Die, die den Wunsch haben, die Arbeit des Werkzeuges zu beobachten, sollen sich im sicheren Abstand von ihm



befinden.

- Bei der Arbeit mit dem Werkzeug haftet der Benutzer für die Sicherheit von Dritten.
- Personen, die Bedienungsanleitung nicht studiert haben, Kinder, Minderjährige, die das Alter, das die Benutzung des Werkzeuges erlaubt, nicht erreicht haben, sowie Personen, die sich im Alkohol- oder Rauschzustand oder unter Wirkung medizinischer Präparate befinden, werden zur Arbeit mit dem Werkzeug nicht zugelassen. Das Alter des Bedienenden wird durch örtliche Rechtsvorschriften bestimmt.



VORSICHT! Alkohol, einige Heilmittelpräparate und berauschende Mittel sowie Krankheit, Fieber und Müdigkeit vermindern die Geschwindigkeit der Reaktion. In oben genannten Fällen benutzen Sie das Werkzeug nicht.

- Versichern Sie sich, dass alle Schutzeinrichtungen (falls vorhanden) installiert und nutzungsfähig sind.
- Benutzen Sie das Werkzeug ohne Schutzeinrichtungen (falls vorhanden), oder falls sie beschädigt sind, nicht.
- Prüfen Sie das Werkzeug in bezug auf den Bestand von losen Teilstücken (Muttern, Bolzen, Schrauben usw.) oder Beschädigungen. Um sichere Arbeit des Werkzeuges zu gewährleisten, prüfen Sie regelmäßig, ob Bolzen und Schrauben gut festgezogen sind (falls vorhanden). Bei Bedarf führen Sie vor dem Einsatz des Werkzeuges ihre Reparatur oder ihren Austausch durch. Im Falle des Einsatzes des beschädigten Werkzeuges können dem Bedienenden oder Dritten ernste Verletzungen zugefügt werden.
- Verwenden Sie bei der Arbeit eine entsprechende Arbeitskleidung. Weite Kleidung, Schmuckstücke können von beweglichen Teilen mitgenommen werden. Arbeiten Sie nur in entsprechender Arbeitskleidung. Schützen Sie ihre Beine und Füße vor auseinanderfliegender Feine. Arbeiten Sie barfuß oder in offenen Sandalen nicht. Tragen Sie langes Haar hinten zusammen.
- Halten Sie Haltegriffe und Halter trocken und sauber.
- Verwenden Sie entsprechende PSA. Verwenden Sie Schutzbrille und Handschuhe. Bei der Arbeit mit Pulvern oder bei dem Auswurf von Abgasen verwenden Sie den Staubrespirator. Bei Bedarf ziehen Sie gleitsichere Schuhe, den Schutzhelm und schützen Sie ihre Gehörgänge mit Ohrstöpseln. Wenn die Lautstärke 85 dB(A) überschreitet, verwenden Sie unbedingt Gehörschütze.



VORSICHT! Verwenden Sie persönliche Schutzausrüstung! Die Schutzeinrichtungen und PSA gewährleisten die Sicherung ihrer Gesundheit und die Gesundheit der Umstehenden sowie garantieren störungsfreie Arbeit des Werkzeuges.

- Lassen Sie das Werkzeug nicht an, wenn es umgedreht oder im Ruhezustand ist.
- Während der Arbeit nehmen Sie die Beharrungsstellung. Halten Sie immer das Gleichgewicht.
- Halten Sie die Sauberkeit im Arbeitsbereich ein. Auf den gesperrten Abschnitten ist ein hohes Niveau von Unfällen. Vor dem Einsatz des Werkzeuges räumen Sie von der Arbeitsfläche alle Fremdkörper auf sowie vermeiden Sie den Eintritt von Fremdkörpern unter das Werkzeug während der Arbeit.
- Drücken Sie stark auf das Werkzeug während der Arbeit nicht.
- Benutzen Sie das Werkzeug nur bei gutem Tages- oder Kunstlicht. Benutzen Sie das Werkzeug bei schlechter Sicht nicht.
- Lassen Sie das Werkzeug nicht fallen, lassen Sie den Anstoß des Werkzeuges auf irgendwelche Hindernisse nicht zu.

VORSICHT! Gut aufpassen. Schauen Sie von dem durch das Werkzeug bearbeitenden Stück nicht weg. Indem man ablenkt, kann man die Steuerung verlieren. Arbeiten Sie vernünftig.

Regeln der elektrischen Sicherheit

ACHTUNG! Um den Stromschlag, die Schadenzufügung der Gesundheit oder die Entflammung bei der Verwendung von Elektrowerkzeugen zu vermeiden, muss man folgende Arbeitsschutzvorschriften beachten. Vor dem Einsatz des Werkzeuges lesen Sie diese Anleitungen und folgen Sie ihnen streng.

- Um ein entsprechendes Sicherheitsniveau sicherzustellen, empfiehlt es sich, die Differentialschutzanlage (DSA) zu verwenden, die auf den Abschaltstrom nicht mehr als 30 mA errechnet ist. Prüfen Sie die Einsatzfähigkeit der DSA bei jedem Einsatz. Lassen Sie sich von einem qualifizierten Elektriker beraten.



Bedienungsanleitung



ACHTUNG! Der Einsatz der PSA oder einer anderen Einrichtung der Schutzabschaltung entbindet den Bedienenden von der obligatorischen Bekanntmachung mit Arbeitsschutzvorschriften und Methoden unfallfreier Arbeit, die in dieser Anleitung angegeben sind.

- Die Netzspannung soll dem Wert, der auf dem Etikett und in der Anleitung angegeben ist, entsprechen. Verwenden Sie andere Speisungsquellen nicht.
- Vor der Anschaltung des Werkzeuges an das Netz versichern Sie sich, dass die Steckdose den Angaben, die auf dem Etikett angegeben sind, entspricht.
- Berühren Sie mit dem Körper geerdete Flächen (Röhre, Heizkörper und Kältevorrichtungen) nicht. Bei der Erdung durch den Körper erhöht sich das Risiko des Stromschlages.



VORSICHT! Zur Vermeidung der Verbrennung oder der Stromschädigung Leitstücke nicht berühren.

- Ziehen Sie für die Netzschnur bei der Verschiebung des Werkzeuges nicht.
- Benutzen Sie die Netzschnur mit Vorsicht. Schützen Sie die Netzschnur vor Wärmeeinwirkung, vermeiden Sie ihren Kontakt mit Schmierstoffen sowie mit scharfen Sachen oder beweglichen Teilen.
- Seien Sie mit der Netzschnur vorsichtig.
- Verwenden Sie Elektroinstrumente in der Nähe von leichtentflammaren Flüssigkeiten und Brenngasen nicht.
- Bevor Sie das Werkzeug auf einen anderen Platz übertragen, schalten Sie es von dem Netz frei.



VORSICHT! Das Werkzeug ist zuerst auszuschalten und dann von der Steckdose oder Verlängerungsschnur freizuschalten.

- Drücken Sie die Netzschnur oder die Verlängerungsschnur während der Arbeit des Werkzeuges nicht durch und verwickeln Sie sie nicht. Haben Sie das Kabel immer im Auge.
- Schließen Sie das Netzkabel unmittelbar an das Werkzeug selbstständig nicht an. Wenden Sie sich an das nächste offizielle Dienstleistungszentrum.
- Bei der Schnurbeschädigung soll sie unbedingt der Hersteller oder sein Agent, oder eine andere

sachkundige Person austauschen.

- Ziehen Sie umgehend den Stecker aus der Steckdose heraus, wenn die Netzschnur beschädigt oder eingeschnitten ist.



ACHTUNG! STROMSCHLAGGEFAHR!

Lenken Sie Ihre Aufmerksamkeit auf Ihren Arbeitsplatz. Benutzen Sie Elektroinstrumente unter Regen nicht. Benutzen Sie Elektroinstrumente in feuchten und nassen Räumen nicht. Halten Sie ihren Arbeitsbereich trocken, sichern Sie gute Beleuchtung. Schützen Sie das Werkzeug vor Feuchtigkeit. Lassen Sie das Werkzeug in der Freiluft über Nacht nicht. Beim Wassereindringen in das Werkzeug erhöht sich das Risiko des Stromschlages.

- Prüfen Sie die Netzschnur auf das Vorhandensein von Beschädigungen und Zeichen der Abnutzung regelmäßig und vor jedem Einsatz. Benutzen Sie das Werkzeug mit der beschädigten Netzschnur nicht; Wenden Sie sich an das offizielle Dienstleistungszentrum.
- Bei der Arbeit draußen verwenden Sie nur dafür bestimmte Verlängerungsschnur mit einer entsprechenden Markierung. Vermeiden Sie den Eintritt der Verlängerungsschnur unter das Werkzeug, schützen Sie sie vor Feuchtigkeit, vor Wärmeeinwirkung, vermeiden Sie den Kontakt mit Schmierstoffen und leichtentflammenden Stoffen.
- Vermeiden Sie zufälliges Anlassen des Werkzeuges: vor dem Anschluss des Werkzeuges an das Netz versichern Sie sich, dass der Schalter (falls vorhanden) in die Position 'off' (AUS) umgeschaltet ist.
- Vor dem Anlass des Werkzeuges entfernen Sie Einstellkeile und Stellschlüssel.
- Benutzen Sie das Werkzeug mit dem gestörten Schalter nicht. Das Werkzeug mit dem gestörten Schalter ist gefährlich und erfordert die Reparatur.



ACHTUNG! Manchmal während der Arbeit mit Elektroinstrumenten bildet sich Staub, der die den Krebs erregende Stoffe enthält.

Zu solchen chemischen Stoffen gehören: Blei in Bleioxid, Quarz, der zum Bestand des Backsteins und des Zements gehört, Arsen und Chrom, die im Schnittholz, das durch chemische Reagens behandelt ist, enthalten sind, und sonstige schädliche Stoffe. Das Risiko der Einwirkung dieser chemischen Stoffe hängt von der Häufigkeit der Durchführung der mit ihnen verbundenen Arbeiten ab.



Um ihre schädliche Einwirkung zu reduzieren, arbeiten Sie in einem gut gelüfteten Raum und benutzen Sie entsprechende fehlerfreie PSA, z.B., Staubrespiratoren, die speziell für die Ausfilterung von mikroskopischen Teilchen entwickelt sind.

- Bei dem Eintritt eines Fremdkörpers unter das Werkzeug prüfen Sie es auf das Vorhandensein von Beschädigungen und machen Sie eine notwendige Reparatur.
- Bei dem Entstehen der Übervibration schalten Sie das Werkzeug aus und stellen Sie umgehend die Ursache fest. Die Vibration ist gewöhnlich ein Zeichen der Störung.
- Bevor Sie Ihren Arbeitsplatz verlassen, führen Sie die Reparatur, Sichtkontrolle oder Reinigung des Werkzeuges, schalten Sie es aus und warten Sie auf vollständiges Stoppen von beweglichen Teilen.
- Es ist verboten, die Innenteile des Werkzeuges abzumontieren und zu ändern.

Sondere Sicherheitsregeln

- Stellen Sie sicher, dass alle am Kreissägeblatt montierten Einsatzwerkzeuge einwandfrei funktionieren.
- Stellen Sie sicher, dass Kreissägeblatt ordnungsgemäß montiert ist.
- Verwenden Sie keine Kreissägeblätter aus HSS-Stahl, die den in dieser Betriebsanleitung angegebenen technischen Daten nicht entsprechen.
- Vor Sägen entfernen Sie vom Werkstück Nägel und andere Metallgegenstände.
- Setzen Sie das Sägen nie an, solange das Kreissägeblatt seine Höchstdrehzahl nicht erreicht hat.
- Kreissäge darf vom Arbeitsplatz erst aufgeräumt werden, wenn Kreissägeblatt ausgeschaltet und völlig zum Stillstand gekommen ist.
- Versuchen Sie nie, die Drehzahl des Kreissägeblattes durch seitliches Gegendrücken herabzusetzen.
- Überprüfen Sie, dass Ansatz-Durchmesser des inneren Flansches der inneren Bohrung des Sägeblattes entspricht.
- Arbeiten Sie nur mit scharfen defektfreien Sägeblättern. Gerissene, verdrehte oder stumpfe Sägeblätter müssen immer sofort gewechselt werden.
- Die Pfeilrichtung auf dem Sägeblatt muss immer mit der Pfeilrichtung auf der Schutzhaube der Kreissäge übereinstimmen.
- Es ist verboten, vor dem Sägen Schutzvorrichtungen von der Kreissäge zu demontieren.
- Bei der Bearbeitung kleinerer Werkstücke durch Sägen, welche zu leicht sind, um durch eigenes Gewicht sicher festgehalten zu werden, müssen Spannvorrichtungen eingesetzt werden.

- Bearbeitung von asbesthaltigem Material ist verboten.
- Greifen Sie mit den Händen keinesfalls ans rotierende Sägeblatt.
- Arbeiten Sie mit der Säge nicht in oberer Stellung (über Kopf).
- Klemmen Sie die bewegliche Schutzhaube nicht und lassen Sie keine Anhäufungen von Spänen unter der Schutzhaube zu. Schalten Sie die Säge ggfs. aus und fahren Sie mit der Bearbeitung nicht fort, bis die Störung nicht behoben ist.
- Kommen Sie mit den Händen nicht in den Sägebereich und an das Sägeblatt. Halten Sie mit Ihrer zweiten Hand den Zusatzgriff oder das Motorgehäuse.
- Beim Sägen halten Sie das Werkstück niemals in der Hand oder über dem Bein fest. Sichern Sie das Werkstück auf einer stabilen Aufnahmeplatte.
- Vor jeder Benutzung stellen Sie sicher, dass der Schutzdeckel ordnungsgemäß geschlossen ist.

Wenn das Sägeblatt verklemmt oder die Arbeit aus irgendeinem Grund unterbrochen wird, lassen Sie den Auslöser los und halten Sie die Säge im Werkstück unbeweglich fest, bis das Sägeblatt zum Stillstand gekommen ist. Versuchen Sie nie, die Säge aus dem zu bearbeitenden Werkstück zu entfernen oder sie rückwärts zu ziehen, solange das Sägeblatt in Bewegung ist, sonst kann das zu einem Rückschlag führen.

AUSPACKUNG

An Auspacken prüfen Sie Anwesenheit von allen Elementen. Sieh Zeichnungen zu gegebener Verwaltung. An Abwesenheit oder Störung von einigen Details wenden Sie sich an den Zentrum der Unterstützung IVT.

ANFANG DER AUSBEUTUNG

Der Betriebsspannungswert soll den angegebenen in der Gerätsdatenschild entsprechen.

URSACHEN UND VERMEIDUNG EINES RÜCKSCHLAGS

1. Ein Rückschlag erfolgt als Reaktion auf ein klemmendes, verdrehtes oder schlecht ausgerichtetes Sägeblatt, infolgedessen hebt die Säge unkontrolliert ab und bewegt sich aus dem Werkstück heraus in Richtung der Bedienperson.
2. Wenn sich das Sägeblatt in dem sich schließenden Sägespalt bzw. -schnitt verhakt oder verklemmt, blockiert es, dabei wird die Säge in Richtung der Bedienperson zurückgeschlagen.
3. Wird das Sägeblatt im Sägeschnitt verbogen



Bedienungsanleitung

oder schlecht ausgerichtet, können sich die Zähne der hinteren Sägeblattkante in der Oberfläche des Werkstücks verhaken, dabei bewegt sich das Sägeblatt aus dem Sägespalt heraus und die Säge springt in Richtung der Bedienperson zurück.

4. Ein Rückschlag wird durch einen nicht ordnungsgemäßen Gebrauch bzw. die Nichteinhaltung der Vorschriften und Betriebsbedingungen. Der Rückschlag kann durch Einhaltung folgender Vorsichtsmaßnahmen verhindert werden:

- Halten Sie die Säge mit beiden Händen fest, dabei muss die Stellung von Ihren Armen und Ihrem Körper gewährleisten, dass die Rückschlagkräfte abgefangen werden können. Diese können durch Einhaltung geeigneter Vorsichtsmaßnahmen kontrolliert werden.

- Ist das Sägeblatt verklemmt oder müssen Sie den Arbeitsvorgang aus irgendeinem Grund unterbrechen, lassen Sie den Auslöser los, ohne die Säge im zu bearbeitenden Werkstück zu bewegen, bis das Sägeblatt völlig zum Stillstand gekommen ist.

- Versuchen Sie nicht, die Säge aus dem zu bearbeitenden Werkstück zu entfernen oder sie rückwärts zu ziehen, solange das Sägeblatt in Bewegung ist – dies kann zu einem Rückschlag führen.

- Finden Sie heraus, was das Verhaken des Sägeblattes verursacht hat und beheben Sie die Ursache.

- Gehen Sie beim Sägen von feuchtem und grünem Holz oder druckbehandeltem Holz besonders vorsichtig vor, um einen Rückschlag zu verhindern.

- Vermeiden Sie, Nägel zu schneiden. Vor dem Sägen überprüfen Sie das zu bearbeitende Holz und entfernen Sie ggfs. Nägel daraus.

- Wenn Sie die Säge, die im zu bearbeitenden Werkstück steckt, wieder starten wollen, zentrieren Sie das Sägeblatt im Sägeschnitt und kontrollieren Sie, ob die Sägezähne nicht mit Werkstück im Kontakt sind. Ist das Sägeblatt verklemmt, kann es sich aus dem Werkstück heraus bewegen oder einen Rückschlag verursachen, wenn die Säge wieder gestartet wird.

- Lassen Sie keine Durchhängung/Durchbiegung von großen Platten zu. Dies kann zum Verhaken des Sägeblattes führen und einen Rückschlag verursachen. Beachten Sie, dass Durchhängung von großen Platten durch ihr Eigengewicht bedingt sein kann. Stützen Sie große Platten beidseitig ab: neben dem Sägeschnitt und an der Kante der Platte von der anderen Seite des Sägeschnitts.

- Verwendung von stumpfen oder beschädigten Sägeblättern ist verboten.

- Stumpfe Sägeblätter oder Sägeblätter mit falsch ausgerichteten Zähnen lassen nur einen zu engen Sägeschnitt ausführen, wodurch eine erhöhte Reibung, Klemmen des Sägeblattes und Rückschlag verursacht

werden.

- Vor dem Sägen/Schneiden überprüfen Sie die Schnitttiefen- und Schnittwinkel-Arretierhebel. Sie müssen festgezogen sein und einwandfrei funktionieren. Änderung der Einstellungen des Sägeblattes während des Sägens kann Klemmen des Sägeblattes und Rückschlag verursachen.

- Verwendung der Säge mit einem zu tiefen Sägeschnitt kann zur Überlastung des Werkzeuges führen und das Sägeblatt für Verdrehungen im Sägeschnitt anfällig machen. Dies erhöht auch den für Klemmen anfälligen Teil der Sägeblatt-Oberfläche in den Fällen, wenn der Sägeschnitt geschlossen wird.

- Seien Sie besonders vorsichtig bei der Ausführung von viereckigen Sägeschnitten in Wänden oder anderen Objekten, die nicht einsehbare Bereiche aufweisen. Das herausragende Sägeblatt kann beim Sägen Objekte beschädigen und einen Rückschlag verursachen.

MONTAGE UND ANPASSUNG KREISSÄGEBLATT



WARNHINWEIS! Vor allen Arbeiten am Werkzeug trennen Sie es vom Netz.

Kreissägeblatt wechseln

1. Das Werkzeug an der Kante der Motorschutzhaube unterbringen.

2. Den äußeren Flansch (13) mit Hilfe des Schlüssels für Rundmutter (18) festhalten und Befestigungsschraube des Sägeblattes (12) mit Schraubenschlüssel (18) abschrauben.

3. Beweglichen Schutzdeckel (11) verschieben, so dass er völlig in die Schutzhaube (4) hineinpasst: dadurch kann das Sägeblatt (10) unbehindert herausgenommen werden. **[F1]**

4. Sägeblatt (10) wechseln. Bei Montage des Sägeblattes (10) überprüfen, ob Sägeblattbohrungsdurchmesser und Ansatz-Durchmesser des inneren Flansches (20) übereinstimmen.

5. Beweglichen Schutzdeckel (11) wieder in die Grundstellung bringen: Sägezähne des Sägeblattes (10) müssen sich völlig unter dem beweglichen Schutzdeckel (11) befinden.

6. Den äußeren Flansch (13) (die Nut auf dem äußeren Flansch (13) muss in Drehrichtung des Sägeblattes angeordnet sein) montieren und mit dem Schlüssel für Rundmutter (18) festhalten. Befestigungsschraube des Sägeblattes (12) mit dem Schraubenschlüssel (18) anziehen. **[F2]**



STAUBABSAUGUNG



Staubabsaugung ermöglicht es, große Staubanhäufungen, auch in der Umgebungsluft, zu verhindern und erleichtert die Reinigung.

Bei dauernder Bearbeitung von Holz oder wenn das Werkzeug im handwerklichen oder industriellen Einsatz für die Bearbeitung von Materialien verwendet wird, die besonders gesundheitsschädliche Stäube erzeugen, muss das Werkzeug an eine geeignete externe Absaugvorrichtung angeschlossen werden.

EIN-UND AUSSCHALTEN [F3]

Einschalten

Um das Werkzeug einzuschalten, erst Einschaltsperr (16) betätigen und gedrückt halten und anschließend Ein-Aus-Schalter (3) drücken.

Ausschalten

Um das Werkzeug auszuschalten, Ein-Aus-Schalter (3) loslassen.

BETRIEBSANLEITUNG

- Stellen Sie sicher, dass das Werkstück sicher befestigt ist. Überprüfen Sie, ob das zu bearbeitende Werkstück mit Vorderseite nach unten angeordnet ist, denn so wird die untere Kante mit größerer Exaktheit bearbeitet.
- Das Werkzeug muss eingeschaltet werden, bevor das Sägeblatt (10) mit dem zu bearbeitenden Werkstück in Berührung kommt. Üben Sie keinen übermäßigen Druck aus: Schneiden ist kein schneller Arbeitsvorgang. Übermäßiger Druck wird die Arbeit nicht beschleunigen, sondern zur Überlastung des Werkzeugs führen.
- Halten Sie das Elektrowerkzeug mit beiden Händen an beiden Handgriffen – so können Sie das Werkzeug ausreichend kontrollieren.
- Schnittmarkierungen zeigen die Position des Sägeblattes (10) bei vertikalem Schnitt sowie bei 45°-Schnitt. Um fehlerhaftes Schneiden zu vermeiden, ist es zweckmäßig, einen Probeschnitt durchzuführen. [F4]

Schnitttiefe einstellen

Dieses Elektrowerkzeug ermöglicht eine stufenlose Veränderung der Schnitttiefe. Zur Gewährleistung eines genauen Schnittes ordnen Sie das Werkzeug so an, dass das Sägeblatt (10) auf ca. 3 mm über der Kante des zu bearbeitenden Materials hinausragt.

1. Klemmschraube des Schnitttiefenanschlages (17) lockern.

2. Die gewünschte Schnitttiefe gemäß der Markierung auf dem Schnitttiefenanschlag (2) einstellen.

Klemmschraube des Schnitttiefenanschlages (17) anziehen. [F5]

Schnittwinkel einstellen [F6]

Dieses Elektrowerkzeug ermöglicht eine stufenlose Veränderung des Schnittwinkels im Bereich von 0° bis 45°.

1. Flügelschraube für die Schnittwinkelvorwahl (8) und Klemmschraube der Grundplatte (19) lockern.
2. Den gewünschten Schnittwinkel gemäß der Markierung auf dem Neigungswinkel-Anschlag des Gehäuses (6) einstellen.
3. Flügelschrauben (8) und Klemmschraube der Grundplatte/ Führungsplatte (19) anziehen.
4. Ggfs. kann die Schnitttiefe durch Abheben oder Senken der Grundplatte (9) vergrößert oder verringert werden.

Sägen mit Parallelanschlag

Parallelanschlag (14) ermöglicht exakte Schnitte entlang einer bestehenden geraden Werkstückkante sowie das Schneiden maßgleicher Stangen.

1. Klemmschraube des Parallelanschlages (7) lockern.
2. Die gewünschte Schnittbreite entsprechend der Schnittmarkierung auf der Skala des Parallelanschlages (14) einstellen.

Klemmschraube des Parallelanschlages (7) anziehen. [F7]

BEDIENUNG UND AUFBEWAHRUNG



VORSICHT! Bevor der Arbeit mit dem Gerät anzufangen, ziehen Sie den Netzstecker aus.

- Sie enthalten das Gerät und die Ventilationsöffnungen (bei Vorhandensein) in der Sauberkeit. Die regelmäßige Reinigung und die Bedienung garantieren die hohe Effektivität und den langwierigen Betrieb des Gerätes.
- Im Schadenfalls, trotz den vollkommenen Betriebsbedingungen und Testen, die Reparatur im offiziellen IVT Bedienungszentrum ausgeführt sein soll.
- Alle Muttern, die Bolzen und die Schrauben sollen dicht festgezogen sein.
- Ersetzen Sie die beschädigten oder abgenutzten Details.
- Benutzen Sie nur die originale Ersatzteile. Die Teile, die beim abseitigen Produzent hergestellt worden sind, nicht dicht anliegen und das Risiko der



Bedienungsanleitung

Verletzungen erhöhen.

- Bewahren das Gerät in der trockenen und für die Kinder unzugänglichen Stelle, von den feuergefährlichen Materialien entfernt.
- Vermeiden Sie das Wassertreffen auf das Gerät!

DE

UMWELTSCHUTZ



Befördern Sie Müll und Abfälle zur Überarbeitung!

Das Werkzeug, Zusatzgeräte und Verpackung sind zur ökologisch sicheren Überarbeitung zu befördern.

Die Elemente aus Kunststoff haben einen Vermerk über die Möglichkeit einer klassifizierten Überarbeitung. Die vorliegende Anleitung ist auf dem Recyclingpapier, das kein Chlor enthält, gedruckt.



ACHTUNG! ES IST VÖLLIG UNZULÄSSIG, DIE REPARATUR DES ERZEUGNISSES SELBSTÄNDIG DURCHZUFÜHREN UND ZU VERSUCHEN, IHRE SPUREN ZU VERBERGEN! Nur das autorisierte IVT-Service-Zentrum hat das Recht auf die Durchführung der Reparatur und erweiterte Aufrechterhaltung. Die Eintragung von Änderungen in den Innenausbau des Erzeugnisses ist verboten! SOLCHE HANDLUNGEN SIND NICHT DER GRUND FÜR DEN VERZICHT AUF DIE GARANTIEVERPFLICHTUNGEN, SIE KÖNNEN AUCH ALS GRUND FÜR BESCHÄDIGUNGEN UND ERNSTE KÖRPERVERLETZUNGEN SEIN.

ХАРАКТЕРИСТИКА ИНСТРУМЕНТА

Модель	CS-185-RC
Напряжение ~ Частота [В ~ Гц]	230 ~ 50
Номинальная мощность [Вт]	1400
Частота вращения на холостом ходу [об./мин]	5500
Диаметр пильного диска Ø [мм]	185
Диаметр отверстия пильного диска Ø [мм]	25.4
Толщина пильного диска [мм]	1.2
Макс. глубина реза при 45° [мм]	62
Макс. глубина реза при 90° [мм]	45
Вес [кг]	4.5
Класс безопасности	II

ПЕРЕЧЕНЬ ЗАПЧАСТЕЙ

1. Отверстие пылеотвода
2. Ограничитель глубины распила
3. Выключатель «включено/выключено»
4. Защитный кожух пильного диска
5. Дополнительная рукоятка
6. Ограничитель наклона корпуса
7. Зажимной винт параллельного упора
8. Барашковый винт для регулировки угла
9. Опорная пластина
10. Пильный диск
11. Подвижное защитное ограждение
12. Крепежный болт пильного диска
13. Внешний фланец
14. Параллельный упор
15. Вентиляционные отверстия
16. Кнопка блокировки
17. Зажимной винт ограничителя глубины распила
18. Гаечный ключ
19. Зажимной винт опорной пластины
20. Внутренний фланец

СОДЕРЖИМОЕ КОРОБКИ

Инструкция по эксплуатации (1 шт.), параллельный упор (1 шт.), гаечный ключ (1 шт.), ручка (1 шт.), набор карбоновых щеток (1 шт.).

ПРЕДНАЗНАЧЕНИЕ

Данную модель циркулярной пилы можно использовать для распиловки деревянных заготовок. Инструмент подходит только для правостороннего использования.

ТЕХНИКА БЕЗОПАСНОСТИ ПРИ ЭКСПЛУАТАЦИИ

Общие правила техники безопасности

Следующие инструкции по технике безопасности помогут вам правильно пользоваться инструментом и обеспечить собственную безопасность. Поэтому прочитайте их вдумчиво и внимательно.

В случае передачи инструмента для использования третьему лицу передайте и настоящие инструкции по технике безопасности.

Сохраните данную инструкцию и прочую литературу, входящую в комплект поставки. Обращайтесь к ней в случае возникновения вопросов.

Строго следуйте правилам техники безопасности и предостережениям, указанным на инструменте.

Перед началом работы ознакомьтесь с органами управления инструмента, но, прежде всего, изучите способы его экстренной остановки.

Следуя этим простым инструкциям, и вы будете содержать ваш инструмент в исправном состоянии.

- Перед использованием инструмент необходимо правильно собрать.

- Используйте инструмент строго по назначению.

- Отнеситесь внимательно к предупредительным надписям и указаниям на инструменте и внимательно изучите их. Внимательность, разумный подход к работе и соответствующая подготовка лиц, задействованных в эксплуатации, транспортировке, обслуживании и хранении инструмента, помогут предотвратить несчастные случаи.

- Не оставляйте инструмент без присмотра.

- Не допускайте использования инструмента детьми. Не позволяйте детям играть с инструментом.

- Не допускайте нахождения вблизи инструмента детей и животных. Те, кто желает понаблюдать за работой инструмента, должны находиться на



безопасном расстоянии от него.

- При работе с инструментом пользователь несет ответственность безопасностью третьих лиц.
- Лица, не ознакомленные с инструкциями по эксплуатации, дети, несовершеннолетние, не достигшие возраста, позволяющего использовать инструмент, а также лица, находящиеся в состоянии алкогольного или наркотического опьянения, либо под воздействием медицинских препаратов, не допускаются к работе с инструментом. Возраст оператора устанавливается местными нормативными актами.



ОСТОРОЖНО! Алкоголь, некоторые лекарственные препараты и наркотические вещества, а также состояние нездоровья, жар и утомление снижают скорость реакции. Не используйте данный инструмент в вышеперечисленных случаях.

- Убедитесь, что все защитные приспособления (если таковые имеются) установлены и пригодны к эксплуатации.
- Не используйте инструмент без защитных приспособлений (если таковые имеются), либо если они повреждены.
- Осмотрите инструмент на наличие незакрепленных деталей (гаек, болтов, винтов и т.д.) или повреждений. Чтобы обеспечить безопасную работу инструмента, периодически проверяйте, хорошо ли затянуты болты и винты (если таковые имеются). При необходимости перед использованием инструмента произведите их ремонт или замену. В случае использования поврежденного инструмента оператору или посторонним лицам могут быть нанесены серьезные травмы.
- Используйте для работы соответствующую спецодежду. Просторная одежда, украшения могут быть затянuty движущимися частями. Работайте только в подходящей спецодежде. Защитите ноги и ступни от разлетающегося мусора. Не работайте босиком или в открытых сандалиях. Соберите длинные волосы сзади.
- Содержите ручки и рукоятки в чистоте и сухости.
- Используйте соответствующие СИЗ. Используйте защитные очки и перчатки. При работе с порошками или при выбросах выхлопных газов используйте противопылевой респиратор. При необходимости наденьте нескользкую обувь, каску и защитите органы слуха берушами. Если уровень шума превышает 85 дБ(А), обязательно используйте защитные наушники.



ОСТОРОЖНО! Пользуйтесь средствами индивидуальной защиты! Защитные приспособления и СИЗ обеспечивают сохранность вашего здоровья и здоровья окружающих, а также гарантируют бесперебойную работу инструмента.

- Не запускайте инструмент, если он перевернут или находится в нерабочем положении.
- Во время работы примите устойчивое положение. Постоянно сохраняйте равновесие.
- Соблюдайте чистоту на рабочем участке. На загроможденных участках наблюдается высокий уровень травматизма. Перед использованием инструмента уберите с рабочей площадки все посторонние предметы, а также избегайте попадания под инструмент посторонних предметов во время работы.
- Не давите на инструмент с силой во время работы.
- Используйте инструмент только при хорошем дневном или искусственном освещении. Не используйте инструмент в условиях плохой видимости.
- Не роняйте инструмент, не допускайте столкновения инструмента с какими-либо препятствиями.

ОСТОРОЖНО! Будьте внимательны. Не отводите взгляд от обрабатываемого инструментом предмета. Отвлечшись, можно потерять управление. Подходите к работе разумно.

Правила электробезопасности

ВНИМАНИЕ! Во избежание удара электрическим током, причинения вреда здоровью или возгорания при использовании электроинструментов необходимо соблюдать следующие инструкции по технике безопасности. Перед использованием инструмента прочтите и точно соблюдайте данные инструкции.

- Чтобы обеспечить соответствующий уровень безопасности, рекомендуется использовать устройство дифференциальной защиты (УДЗ), рассчитанное на ток отключения не более чем 30 мА. Проверяйте исправность УДЗ при каждом использовании. Проконсультируйтесь у квалифицированного электрика.



ВНИМАНИЕ! Использование УДЗ или другого устройства защитного отключения не освобождает оператора от обязательного ознакомления с правилами техники безопасности и приемами безопасной работы, указанными в данной инструкции.

- Напряжение сети должно соответствовать значению, указанному на ярлыке и в инструкции. Не используйте другие источники питания.
- Перед подключением инструмента к сети убедитесь, что розетка соответствует данным, указанным на ярлыке.
- Не прикасайтесь телом к заземленным поверхностям (трубами, радиаторами, батареями и рефрижераторами). При заземлении через тело риск удара электрическим током повышается.



ОСТОРОЖНО! Во избежание ожога или поражения электрическим током не прикасайтесь к электропроводящим деталям.

- Не тяните за шнур питания при перемещении инструмента.
- Пользуйтесь шнуром питания с осторожностью. Берегите шнур питания от воздействия тепла, избегайте его контакта со смазочными материалами, а также острыми предметами или движущимися частями.
- Будьте осторожны со шнуром питания.
- Не пользуйтесь электроинструментами вблизи легковоспламеняющихся жидкостей и горючих газов.
- Перед тем, как переносить инструмент на другое место, отключайте его от сети.



ОСТОРОЖНО! Инструмент необходимо сначала выключить, а затем отсоединять от розетки или удлинителя.

- Не пережимайте и не запутывайте шнур питания или удлинитель во время работы инструмента. Не тяните кабель из виду.
- Не подключайте силовую кабель напрямую к инструменту самостоятельно. Обратитесь в ближайший официальный центр обслуживания.
- При повреждении шнура питания его обязательно должен заменить изготовитель или его агент, или другой квалифицированный специалист.
- Немедленно извлеките вилку из розетки, если шнур питания поврежден или разрезан.



ВНИМАНИЕ! ОПАСНОСТЬ ПОРАЖЕНИЯ ЭЛЕКТРИЧЕСКИМ ТОКОМ!

Обратите внимание на ваше рабочее место. Не используйте электроинструменты под дождем. Не используйте электроинструменты во влажных и сырых помещениях. Содержите рабочий участок в сухости, обеспечьте хорошее освещение. Берегите инструмент от влаги. Не оставляйте инструмент на открытом воздухе на ночь. При попадании воды в электроинструмент повышается риск удара электрическим током.

- Регулярно и каждый раз перед использованием проверяйте шнур питания на наличие повреждений и признаков износа. Не используйте инструмент с поврежденным шнуром питания; обратитесь в официальный центр обслуживания.
- При работе на улице используйте только предназначенные для этого удлинители с соответствующей маркировкой. Избегайте попадания удлинителя под инструмент, берегите его от влаги, от воздействия тепла, избегайте контакта со смазочными материалами и легковоспламеняющимися веществами.
- Избегайте случайного запуска инструмента: перед подключением инструмента к сети убедитесь, что выключатель (при наличии) переведен в положение 'off' (выкл.).
- Перед включением инструмента удалите установочные клинья и ключи.
- Не используйте инструмент с неисправным выключателем. Инструмент с неисправным выключателем представляет опасность и требует ремонта.



ВНИМАНИЕ! Иногда во время работы с электроинструментами образуется пыль, содержащая вызывающие рак вещества.

К таким химическим веществам относятся: свинец в составе свинцовых белил, кварц, входящий в состав кирпича и цемента, мышьяк и хром, содержащиеся в пиломатериале, обработанном химическими реагентами, и прочие вредные вещества. Риск воздействия данных химических веществ зависит от частоты проведения связанных с ними работ.

Чтобы сократить их вредное воздействие, работайте в хорошо проветриваемом помещении и используйте соответствующие исправные СИЗ, например, противопылевые респираторы, специально разработанные для отфильтровывания микроскопических частиц.



- При попадании под инструмент постороннего предмета осмотрите его на наличие повреждений и произведите необходимый ремонт.
- При возникновении чрезмерной вибрации отключите инструмент и немедленно выясните причину. Вибрация обычно является признаком повреждения.
- Перед тем, как покинуть рабочее место, произвести ремонт, осмотр или очистку инструмента, отключите его и дождитесь полной остановки движущихся деталей.
- Запрещается снимать или изменять внутренние детали инструмента.

Особые правила по технике безопасности

- Убедитесь в том, что все устройства, установленные на пильный диск, находятся в идеальном рабочем состоянии.
- Убедитесь в том, что пильный диск установлен правильно.
- Не используйте диски из быстрорежущей инструментальной стали, которые не соответствуют техническим условиям, указанным в данном руководстве по эксплуатации.
- Перед распиловкой удалите все гвозди и другие металлические предметы с заготовки.
- Никогда не начинайте распиловку, пока пильный диск не достигнет своей максимальной скорости.
- Циркулярную пилу можно убрать с рабочего места только после отключения и остановки пильного диска.
- Никогда не пытайтесь снизить скорость пильного диска путем оказания давления на его сторону.
- Убедитесь в том, что диаметр выступа внутреннего фланца соответствует внутреннему отверстию пильного диска.
- Используйте в работе только острые пильные диски без дефектов. Немедленно заменяйте пильные диски с трещинами, погнутые или затупленные пильные диски.
- Направление стрелки на пильном диске должно всегда совпадать с направлением стрелки на защитном кожухе циркулярной пилы.
- Снятие предохранительных устройств циркулярной пилы перед распиловкой запрещено.
- При распиловке заготовок небольших размеров, которые являются слишком легкими для надежного закрепления под собственным весом, необходимо использовать зажимные приспособления.
- Распиловка асбестосодержащих заготовок запрещена.
- Ни при каких обстоятельствах не прикасайтесь к вращающемуся пильному диску руками.
- Не работайте с циркулярной пилой в верхнем

положении (над головой).

- Не блокируйте подвижный защитный кожух, не позволяйте ему забиваться опилками. При необходимости, остановите циркулярную пилу и не возобновляйте работу до устранения неисправности.
- Держите руки подальше от зоны распиловки и пильного диска. Держите вторую руку на вспомогательной рукоятке или корпусе мотора.
- При распиловке никогда не держите заготовку в руках или попереk ноги. Заготовку необходимо закрепить на устойчивой платформе.
- Перед каждым использованием убедитесь в том, что защитное приспособление закрыто надлежащим образом.

В случае заклинивания пильного диска или при прерывании распиловки по какой-либо причине, отпустите пусковое устройство и удерживайте пилу неподвижно в материале до тех пор, пока пильный диск не остановится полностью. Не пытайтесь вынуть пилу из обрабатываемой заготовки или тянуть пилу в обратном направлении в то время, как пильный диск находится в движении – это может вызвать обратный удар.

РАСПАКОВКА

При распаковке проверьте наличие всех элементов. См. чертежи к данному руководству. При отсутствии или неисправности каких-либо деталей обратитесь в центр обслуживания ИВТ.

ПРИЧИНЫ И ПРЕДУПРЕЖДЕНИЕ ОБРАТНОГО УДАРА

1. Обратный удар вызывается зажимом, изгибанием или смещением пильного диска, в результате чего резак внезапно выходит из-под контроля, вырывается из обрабатываемой детали по направлению к пользователю.
2. Если пильный диск защемило или зажал в пропиле/разрезе, пильный диск стопорится, при этом инструмент быстро ведет назад, к пользователю.
3. Если пильный диск изгибается или смещается в разрезе, зубья заднего края лезвия могут зарыться в верхнюю поверхность древесины, при этом лезвие выходит из пропила и отскакивает по направлению к оператору.
4. Обратный удар – результат неправильного использования инструмента и/или несоблюдения правил и условий эксплуатации. Чтобы избежать обратного удара, необходимо соблюдать следующие меры предосторожности:



Инструкция по эксплуатации

· Крепко держите пилу обеими руками, причем положение рук и тела должно обеспечивать сопротивление силе обратного удара, силу которого можно контролировать, прибегнув к надлежащим мерам предосторожности.

· Если пильный диск защемило или вам нужно по какой-то причине остановить работу, отпустите спусковое устройство, не сдвигая при этом пилу в материале, позволив пильному диску полностью остановиться.

· Не пытайтесь вытащить пилу из обрабатываемой заготовки или потянуть пилу в обратном направлении, в то время как лезвие находится в движении – это может привести к обратному удару.

· Разберитесь в причинах зажатия пильного диска и устраните причину.

· Распиловка влажной древесины, пиломатериалов из свежесрубленного дерева или подвергнутого обработке под давлением требует особого внимания во избежание обратного удара.

· Избегайте резки гвоздей. Проверьте наличие и уберите все гвозди из древесины перед распиловкой.

· При повторном запуске пилы в обрабатываемой заготовке установите пилу в середине пропила и проверьте, не касаются ли зубья материала. Если пильный диск зажат, то при повторном запуске инструмент может пойти назад или вырваться из обрабатываемой детали.

· Не допускайте провисания/перекоса панелей большого размера. Это может привести к защемлению пильного диска и обратному удару. Помните, что панели больших размеров могут провисать под собственным весом. Установите опоры под панелью по обеим сторонам – рядом с линией разреза и кромкой панели с другой стороны разреза.

· Использование плохо заточенных или поврежденных пильных дисков недопустимо.

· Незаточенный или неправильно установленный пильный диск выполняет слишком узкий пропил, что вызывает чрезмерное трение, защемление пильного диска и обратный удар.

· Перед тем как приступить к пропилу/разрезу, убедитесь, что стопорные рукоятки регулировки глубины пропила и наклона пильного диска хорошо затянуты и исправны. Изменение настройки пильного диска в момент резки может вызвать защемление и обратный удар.

· Использование пилы с чрезмерной глубиной пропила увеличивает нагрузку на инструмент и подверженность к скручиванию лезвия в пропилах. Это также увеличивает площадь поверхности лезвия, подвергающейся защемлению в случае закрытия пропила.

· Соблюдайте повышенную осторожность при выполнении четырехугольных пропилов в стенах и других объектах, где есть поверхности, недоступные для осмотра. Выступившая наружу часть пильного диска может повредить предметы или вызвать обратный удар.

УСТАНОВКА И ПОДГОНКА ЭЛЕМЕНТОВ ПИЛЬНОГО ДИСКА



ВНИМАНИЕ! Перед выполнением любых работ на электроинструменте его необходимо отключить от электросети.

Замена пильного диска

1. Поместить инструмент на край кожуха электромотора.
2. Удерживая внешний фланец (13) с помощью ключа для круглых гаек с отверстиями (18), отвинтите крепежный болт пильного диска (12) с помощью гаечного ключа (18).
3. Сдвинуть подвижное защитное устройство (11) таким образом, чтобы оно полностью вошло в защитный кожух (4); это необходимо сделать для того, чтобы свободно вынуть пильный диск (10). **[F1]**
4. Заменить пильный диск (10). При установке пильного диска (10) убедитесь в том, что диаметр отверстия в диске соответствует диаметру выступа внутреннего фланца (20).
5. Верните подвижное защитное устройство (11) в исходное положение: зубья диска (10) должны быть полностью закрыты подвижным защитным устройством (11).
6. Установить внешний фланец (13) (паз на внешнем фланце (13) должен размещаться в направлении режущего диска) и, удерживая его с помощью ключа для круглых гаек с отверстиями (18), затянуть крепежный болт пильного диска (12) с помощью гаечного ключа (18). **[F2]**

ОТСОС ПЫЛИ



Отсос пыли позволяет предотвратить скопление большого количества пыли, в том числе и в окружающем воздухе, а также значительно облегчает уборку.

В случае продолжительной работы с древесиной или при коммерческой эксплуатации инструмента на материалах, образующих вредную для здоровья пыль, следует подключить инструмент к соответствующему внешнему устройству для отсоса пыли.



НАЧАЛО ЭКСПЛУАТАЦИИ

Значение напряжения питания должно соответствовать указанному в табличке паспортных данных инструмента.

ВКЛЮЧЕНИЕ И ВЫКЛЮЧЕНИЕ [F3]

Включение

Для включения машины отжать и держать кнопку блокировки (16) и нажать на выключатель (3).

Выключение

Для отключения машины отпустить выключатель «включено/выключено» (3).

РУКОВОДСТВО ПО ЭКСПЛУАТАЦИИ

Убедитесь в том, что заготовка надежно зажата. Пожалуйста, убедитесь в том, что обрабатываемая заготовка распложена лицевой частью вниз, поскольку таким образом нижний край будет обрабатываться более точно.

Инструмент должен быть включен до того, как пильный диск (10) коснется обрабатываемой заготовки. Не применяйте слишком большое давление: резка не является быстрым процессом. Чрезмерное давление не ускорит работу и приведет к перегрузке инструмента.

Держите электроинструмент обеими руками за обе ручки; таким образом, обеспечивается необходимый контроль над инструментом.

Метки для реза указывают на положение пильного диска (10) при выполнении вертикальных разрезов, а также разрезов под углом 45°. Целесообразно выполнить пробный разрез во избежание ошибок в процессе работы. [F4]

Настройка глубины реза

Данный электроинструмент имеет функцию плавного изменения глубины реза. Добиться точного реза можно, поместив инструмент таким образом, чтобы пильный диск (10) выступал за край материала приблизительно на 3 мм.

1. Ослабить зажимной винт ограничителя глубины распила (17).
2. Установить необходимую глубину реза в соответствии с отметкой на ограничителе глубины распила (2).

Затянуть зажимной винт ограничителя глубины распила (17). [F5]

Регулировка угла реза [F6]

Данный электроинструмент имеет функцию плавного изменения угла реза в пределах от 0° до 45°.

1. Ослабить барашковый винт для регулировки угла реза (8) и зажимной винт опорной пластины (19).
2. Установить желаемый угол реза в соответствии с отметкой на ограничителе наклона корпуса (6).
3. Затянуть зажимные винты (8) и зажимной винт на опорной плите/направляющей плите (19).
4. При необходимости можно увеличивать или уменьшать глубину реза, поднимая или опуская опорную пластину (9).

Резка с помощью параллельного упора

Параллельный упор (14) позволяет осуществлять резку вдоль имеющегося прямого края заготовки, а также резку брусков одинаковой ширины.

1. Ослабить зажимной винт параллельного упора (7).
2. Установить необходимую ширину резки в соответствии с отметкой на шкале параллельного упора (14).

Затянуть зажимной винт параллельного упора (7). [F7]

ОБСЛУЖИВАНИЕ И ХРАНЕНИЕ



ОСТОРОЖНО! Прежде чем начать работу с инструментом, выключите его из розетки.

- Содержите инструмент и вентиляционные отверстия (при наличии) в чистоте. Регулярная очистка и обслуживание гарантируют высокую эффективность и продолжительную эксплуатацию инструмента.

- В случае выхода из строя, несмотря на совершенные условия производства и испытаний, ремонт должен выполняться в официальном сервисном центре ИВТ.

- Все гайки, болты и винты должны быть плотно затянуты.

- Замените поврежденные или изношенные детали.

- Используйте только оригинальные запчасти. Детали, изготовленные сторонним производителем, прилегают неплотно и повышают риск возникновения травм.

- Храните инструмент в сухом недоступном

для детей месте, на безопасном расстоянии от легковоспламеняющихся материалов.

- Избегайте попадания воды на инструмент!

ЗАЩИТА ОКРУЖАЮЩЕЙ СРЕДЫ



Отправляйте мусор и отходы на переработку!

RU

Инструмент, дополнительные приспособления и упаковку следует отправить на экологически безопасную переработку.

Пластиковые элементы имеют отметку о возможности классифицированной переработки. Настоящая инструкция напечатана на вторичной бумаге, не содержащей хлор.



ВНИМАНИЕ! ПРОИЗВОДИТЬ РЕМОНТ ИЗДЕЛИЯ САМОСТОЯТЕЛЬНО И ПЫТАТЬСЯ СКРЫТЬ ЕГО СЛЕДЫ СОВЕРШЕННО НЕДОПУСТИМО! Только авторизованный IVT Сервис-Центр имеет право на проведение ремонта и расширенного технического обслуживания. Внесение изменений во внутреннее устройство изделия запрещено! **ТАКИЕ ДЕЙСТВИЯ НЕ ТОЛЬКО ЯВЛЯЮТСЯ ОСНОВАНИЕМ В ОТКАЗЕ ОТ ГАРАНТИЙНЫХ ОБЯЗАТЕЛЬСТВ, НО И МОГУТ ПОСЛУЖИТЬ ПРИЧИНОЙ ПОВРЕЖДЕНИЙ И СЕРЬЕЗНЫХ УВЕЧИЙ.**

ҚҰРАЛДЫҢ СИПАТТАМАСЫ

Үлгі	CS-185-RC
Кернеу ~ Жиілік [В ~ Гц]	230 ~ 50
Номиналды қуат [Вт]	1400
Бос жүрістегі айналу жиілігі [мин/айн.]	5500
Аралайтын диск диаметрі Ø [мм]	185
Аралайтын диск тесігінің диаметрі Ø [мм]	25.4
Аралайтын диск қалыңдығы [мм]	1.2
45°-та кесудің макс.тереңдігі [мм]	62
90°-та кесудің макс.тереңдігі [мм]	45
Салмақ [кг]	4.5
Қауіпсіздік класы	II

ҚОСАЛҚЫ БӨЛШЕКТРЕДІҢ ТІЗБЕСІ

1. Шаң шығарғыштың тесігі
2. Арамен кесу тереңдігін шектегіш
3. Сөндіргіш «қосұлы/сөндірулі»
4. Аралайтын дисктің қорғайтын қабы
5. Қосымша сап
6. Корпустың көлбеуін шектегіш
7. Параллельді тіреуіштің қысатын бұрандасы
8. Бұрышты реттеуге арналған елтірі бұранда
9. Тірек пластинасы
10. Аралайтын диск
11. Қорғайтын жылжымалы кедергі
12. Аралайтын дисктің бекітетін болты
13. Сыртқы фланец
14. Параллельді тіреуіш
15. Желдету тесігі
16. Блокадалау батырмасы
17. Арамен кесу тереңдігін шектегіштің қысатын бұрандасы
18. Гайкалы кілт
19. Тірек пластинасының қысатын бұрандасы
20. Ішкі фланец

ҚОРАПТЫҢ ІШІНДЕГІСІ

Нұсқаулық (1 дана), параллельді тіреуіш (1 дана), гайка кілті (1 дана), қосымша тұтқа (1 дана), карбон щеткаларының топтамасы (1 дана).

ҚОЛДАНЫЛУЫ

Циркулярлы араның бұл үлгісін ағаш дайындамаларды арамен кесуде қолдануға болады. Құрал тек оң жақтан ұстап қолдануға сай келеді.

ҚОЛДАНУ КЕЗІНДЕГІ ТЕХНИКАЛЫҚ ҚАУІПСІЗДІК

Қауіпсіздіктің жалпы ережелері

Қауіпсіздік техникасы бойынша келесі нұсқаулықтар құралды дұрыс қолдануға және дербес қауіпсіздікті қамтамасыз етуге көмектеседі. Сондықтан оларды мұқият оқып шығыңыз.

Аталмыш құралды үшінші тұлғаға беру барысында қауіпсіздік техникасы жөніндегі осы нұсқаулықты да бірге беру керек.

Осы нұсқаулықты және жеткізілетін кешен құрамына кіретін басқа да әдебиеттерді сақтап қойыңыз.

Қауіпсіздік техникасын және құралда көрсетілген қауіпсіздік ережелерін сақтаңыз.

Жұмысты бастамас бұрын құралдың басқару бөлшектерімен танысыңыз, бірақ ең алдымен жедел тоқтату амалдарымен танысыңыз.

Аталған қарапайым ережелерді сақтау сіздің құралыңыздың үнемі жұмысқа жарамдылығын қамтамасыз етуге мүмкіндік береді.

· Пайдалану алдында құралды дұрыс жинақтау қажет.

· Құралды тек мақсаты бойынша ғана пайдаланыңыз.

· Сонымен қатар, құралда қорғаныш жабдықтарды пайдалану жөніндегі ескерту жазбалары мен сілтемелері болуы мүмкін, оларды да оқып шығу қажет. Сақтық, тәжірибелілік, ойластырылғандық, жұмысқа тиісті қатынас және құралды қолдану, тасымалдау, қызмет көрсету және сақтауға қатынастың тұлғалардың тиісті дайындығы келеңсіз оқиғалардың алдын алуға көмектеседі.

· Құралды қараусыз қалдырмаңыз.

· Құралды балалардың пайдалануына жол бермеңіз. Балалардың құралман ойнауына жол бермеңіз.



· Жұмыс алаңына жақын жерде балалардың және жануарлардың болуына жол бермеңіз. Бөгде адамдар жұмыс істеп тұрған құралдан қауіпсіз қашықтықта болуы керек.

· Құралмен жұмыс жасау барысында пайдаланушы үшінші тұлғалар үшін жауапкершілік тартпайды.

· Қолдану жөніндегі осы нұсқаулықпен таныспаған тұлғалар, құралды пайдалануға болатын жасқа жетпеген, көмелеттік жасқа толмаған балалар, сондай-ақ ішімдікке немесе есірткіге мас күйдегі тұлғалар, медициналық дәрмек әсеріндегі адамдар құралмен жұмыс жасауға рұқсат ала алмайды. Оператордың жасы жергілікті нормативтік актілермен тағайындалады.



АБАЙЛАҢЫЗ! Алкоголь, кейбір дәрілік препараттар және есірткілік заттар, сондай-ақ ыстық көтерілу және қалжырау сияқты денсаулық күйлері реакция жылдамдығын төмендетеді. Аталмыш құралды жоғарыда аталған жағдайларда пайдаланбаңыз.

· Барлық қорғаушы жабдықтардың (егер болса) дұрыс орнатылғандығына және олардың жұмысқа жарамды екендігіне көз жеткізіңіз.

· Құралды қорғаушы жабдықтарсыз пайдаланбаңыз (егер болса), немесе ол зақымданған болса пайдаланбаған абзал.

· Құралдың бекітілмей қалған бөлшектерін (сақиналар, болттар, бұрамалар және т. б.) немесе ақауларын тексеріңіз. Құрал жұмысының қауіпсіздігін қамтамасыз ету үшін болттар мен бұрандалардың (егер болса) жақсы бұралғандығын әлсін-әлсін тексеріп отырыңыз. Қажет болса құралды пайдалану алдында зақымданған не ақаулы бөлшектерді жөндеңіз немесе алмастырыңыз. Ақаулы құралды пайдалану кезінде операторға немесе маңайдағы бөгде тұлғаларға ауыр жарақаттар салынуы мүмкін.

· Жұмыс үшін арнайы киімді пайдаланыңыз. Кең киім, әшекейлер, әшекей бұйымдары құралдың қозғалмалы бөліктеріне ілініп қалуы мүмкін. Сәйкес келетін арнайы киімдер киіңіз. Ұшатын қалдық заттардан аяғыңыз бен табаныңызды қорғаңыз. Жалаң аяқ немесе үсті ашық аяқ киім киіп жұмыс істемейсіз. Ұзын шашты артыңызға жинаңыз.

· Тұтқалар мен тұтқыштарды таза және құрғақ етіп ұстаңыз.

· Сәйкес келетін қорғаушы жабдықтарды пайдаланыңыз. Қорғаушы көзәйнектер мен саусақпаптарды қолданыңыз. Ұнтақтармен немесе шығарылатын газ ортасында жұмыс жасау барысында шаңға қарсы респираторды пайдаланыңыз. Қажет болған жағдайда табаны

сырғанамайтын аяқ киім, дулыға немесе құлаққа арналған тығындарды қолданыңыз. Егер шу деңгейі 85 дБ(А) артық болса, міндетті түрде қорғаушы құлақпаптарды пайдаланыңыз.



АБАЙЛАҢЫЗ! Жеке бас қорғаныс құралдарын пайдаланыңыз! Қорғаушы жабдықтар мен ЖҚҚ сіздің денсаулығыңыз бен маңайыңыздағылардың денсаулығының қорғанысын қамтамасыз етеді, сондай-ақ құралдың үзіліссіз жұмысына кепілдік береді.

· Құрал кері бұрылған болса немесе жұмысқа жарамсыз күйде болса, оны іске қоспаңыз.

· Жұмыс барысында тұрақты қалыпты сақтаңыз. Үнемі тепе-теңдікті сақтаңыз.

· Жұмыс алаңында тазалықты сақтаңыз.

· Қоршалған алаңдарда жарақаттану қаупінің жоғары деңгейі байқалады. Құралды пайдаланбас бұрын жұмыс алаңынан барлық бөгде заттарды алып тастаңыз, жұмыс барысында құралдың астына бөгде заттардың түсуіне жол бермеңіз.

· Құралды шамадан тыс қыздырмаңыз.

· Құралды күндізгі жарықта немесе жақсы жасанды желдету кезінде пайдаланыңыз. Құралды нашар көріну жағдайында пайдаланбаңыз.

· Құралды құлатпаңыз, құралдың қандай да бір кедергілермен қақтығысуына жол бермеңіз.

АБАЙ БОЛЫҢЫЗ! Абай болыңыз. Жұмыс барысын бақылап отырыңыз. Алаңдай отырып, құралды басқаруды жоғалтып алу мүмкін. Жұмысқа дайындықпен кірісіңіз.

Электрлік қауіпсіздік ережелері

НАЗАР АУДАРЫҢЫЗ! Электр құралдарын қолдану барысында электр тоғының соққысын болдырмау және жеке бастың жарақаттану оқиғасына жол бермеу мақсатында техникалық қауіпсіздік бойынша мынадай ережелерді сақтау керек. Құралды қолданар алдында осы нұсқаулықтарды оқып шығыңыз және мұқият қадағалаңыз.

· Қауіптілік деңгейін жоғарылату үшін 30 мА-дан аспайтын сөну тоғына есептелген шегермелі қорғаныс құрылғысын (RCD) пайдалану ұсынылады. Әрбір пайдаланған кезде RCD тексеріңіз. Білікті электршіге жүгініңіз.



НАЗАР АУДАРЫҢЫЗ! RCD немесе басқа ажыратқышты пайдалану құралдың операторын осы нұсқаулықта көрсетілген жұмыс амалдары ережелері мен қауіпсіздік техникасы талаптарымен танысу міндетінен босатпайды.

- Желідегі кернеу жазба белгіде немесе нұсқаулықта көрсетілген шамаға сәйкес болуы керек. Басқа қоректендіру көздерін пайдаланбаңыз.
- Құралды желіге қосу алдында розетканың құралдың жазба белгісінде көрсетілген мәліметтеріне сай келетіндігіне көз жеткізіңіз.
- Дененің жайсыздандырылған заттармен (құбырлар, радиаторлар, батареялар және рефрижераторлар) жанасуынан сақтаныңыз. Дененің мұндай заттарға жанасуы кезінде электрлік тоқ соққысына шалдығу қаупі артады.



АБАЙ БОЛЫҢЫЗ! Күюден немесе тоқ соққысынан сақтану үшін электр өткізгіш бөлшектерге жанаспаңыз.

- Құралдың орнын алмастыру барысында кабельден тартпаңыз.
- Тоқсымды абайлап қолданыңыз. Тоқсымды жылудың әсерінен сақтаңыз, оның майлаушы заттармен байланысына жол бермеңіз, сондай-ақ өткір немесе жылжымалы заттармен жанастырмауға тырысыңыз.
- Тоқсыммен абай болыңыз.
- Құралды тез тұтанатын сұйықтықтарға және газдарға жақын жерде пайдаланбаңыз.
- Құралды басқа жерге ауыстырмас бұрын оны желіден ажыратыңыз.



АБАЙ БОЛЫҢЫЗ! Алдымен құралды сөндіру керек, содан соң розеткадан немесе ұзартқыштан ажыратқан абзал.

- Құрал жұмыс істеп тұрғанда ұзартқышты қыспаңыз. Кабельді бақылап отырыңыз.
- Ұзартқышты құралға өз бетіңізбен тікелей қоспаңыз. Ең жақын жердегі ресми қызмет көрсету орталығына жүгініңіз.
- Тоқсым зақымдалған жағдайда қауіптілік тудырмау үшін оны дайындаушы немесе оның агенті, не болмаса ұқсас білікті мамандар алмастыру керек.

- Егер кабель зақымдалған немесе кесіліп кеткен болса, онда айырды тез арада ашадан алып шығыңыз.



НАЗАР АУДАРЫҢЫЗ! ЭЛЕКТРЛІК ТОҚ СОҚҚЫСЫНА ШАЛДЫҒУ ҚАУІПІ БАР!

Өндірістік ортаны бақылап отырыңыз. Электрлік құралдарды жауын астында пайдаланбаңыз. Электрлік құралдарды ылғалды және дымқыл жайларда пайдаланбаңыз. Жұмыс орнын құрғақ ұстаңыз, жарықтандырудың жақсы болуын қамтамасыз етіңіз. Құралды ылғалдан сақтаңыз. Құралды ашық кеңістікте түнде қалдырмаңыз. Құралға суды тиіп кетсе, электрлік тоқ соққысына шалдығу қаупі артады.

- Үнемі және әр қолданыс алдында құрал кабелінің жарамдылығы мен тозу белгісінің болуын тексеріп отырыңыз. Кабелі зақымданған құралды пайдаланбаңыз; ресми қызмет көрсету орталығына жүгініңіз.
- Ғимараттардан тыс жұмыс барысында сәйкес маркалы арнайы ұзартқыштарды ғана пайдаланыңыз. Кабельдің құралдың астына түсуіне жол бермеңіз, оны ылғалдан, жылудың әсерінен сақтаңыз, жақпайлық заттармен және тез тұтанатын сұйықтықтармен байланысуына жол бермеңіз.
- Құралдың өздігінен қосылуынан сақтаныңыз. Құралды желіге қосар алдында ажыратқыштың «off» (сөнд.) қалпында екендігіне көз жеткізіңіз.
- Құралды іске қосу алдында ондағы барлық кілттер мен орнату бөлшектерін алып тастаңыз.
- Жарамсыз ажыратқышы бар құралды пайдаланбаңыз. Ажыратқышы жарамсыз құрал қауіпті және жөндеуді талап етеді.



НАЗАР АУДАРЫҢЫЗ! Аспапты пайдаланған кезде құрамында ісік ауруын тудыратын химиялық заттар бар шаң қалыптасады.

Осындай химиялық заттарға мыналар жатады: қорғасынды әктеуіштер құрамындағы қорғасын, кірпіш пен цементтің құрамына кіретін кварц, химиялық реагенттермен өңделген араланушы материалдар құрамындағы күшән және хром, басқа да зиянды заттар. Аталған химиялық заттардың әсер ету қаупі олармен жұмыс жасау жиілігіне байланысты. Олардың зиянды әсерін төмендету үшін жақсы желдетілетін жерде жұмыс істеңіз және қолдану үшін бекітілген ЖҚҚ, мысалы, микроскопиялық бөлшектерді сүзуге арналған шаңға қарсы респираторларды пайдаланыңыз.



- Құралдың астына бөгде заттар түскен жағдайда құралдың ақаусыз екендігін тексеріңіз және қажетті жөндеу жұмыстарын жүзеге асырыңыз.
- Шамадан тыс діріл пайда болса жедеп арада қозғалтқышты сөндіріңіз және себебін анықтаңыз. Діріл ақаудың белгісі болып табылады.
- Жұмыс орнынан кетпес бұрын, құралды жөндеу, тексеру немесе тазарту алдында оны сөндіріңіз және толығымен тоқтағанша күте тұрыңыз.
- Құралдың ішкі бөлшектерін алып тастауға немесе өзгертуге тыйым салынады.

Қауіпсіздік техникасы бойынша ерекше ережелер

- Аралайтын дискке орнатылған құрылғылар жақсы жұмыс жағдайында тұрғанына көз жеткізіңіз.
- Аралайтын диск дұрыс орнатылғанына көз жеткізіңіз.
- Осы пайдалану туралы нұсқаулықта көрсетілген техникалық жағдайларға сай келмейтін тез кесетін аспаптық болат дискілерді қолданбаңыз.
- Арамен кесу алдында дайындамадан барлық шегелер мен өзге де металл заттарды алып тастаңыз.
- Аралайтын диск өзінің максималды жылдамдығына жеткенге дейін ешқашан арамен кесуді бастамаңыз.
- Циркулярлы араны аралайтын дискті ажыратып, тоқтаған соң ғана жұмыс орнынан алуға болады.
- Аралайтын диск жылдамдығын оның жағына қысым жасасу арқылы төмендетуге ешқашан тырыспаңыз.
- Ішкі фланецтің шоқы диаметрі аралайтын дисктің ішкі тесігіне сай келетініне көз жеткізіңіз.
- Жұмыста тек ақаулары жоқ аралайтын өткір дискілерді ғана қолданыңыз. Сызаттары бар, майысқан немесе мұқалған аралайтын дисктерді бірден алмастырыңыз.
- Аралайтын дисктегі тетік бағыты циркулярлы араның қорғайтын қабындағы тетік бағытымен қашанда сай келуі қажет.
- Арамен кесу алдында циркулярлы араның қауіпсіздендіретін құрылғыларын шешуге тыйым салынады.
- Өз салмағында жақсылап бекіту үшін тым жеңіл болып табылатын шағын көлемді дайындамаларды арамен кескен кезде, қысатын аспап қолдану қажет.
- Талшықтасы бар дайындамаларды арамен кесуге тыйым салынады.
- Айналып тұрған аралайтын дискке ешбір жағдайда да қол тигізбеңіз.
- Циркулярлы арамен жоғары жағдайда (бастың үстінен) жұмыс істемеңіз.
- Жылжымалы қорғайтын қапты блоктамаңыз, оның жоңқаға толып қалуына жол бермеңіз. Қажет болған жағдайда, циркулярлы араны тоқтатып,

ақаулықты жөндегенге дейін жұмысты бастамаңыз.

- Арамен кесу аймағы мен аралау дискінен қолды алыстау ұстаңыз. Екінші қолыңызды қосымша сапта немесе мотор корпусында ұстаңыз.
- Арамен кесу кезінде ешқашан саптаманы қолда немесе аяққа көлденең ұстамаңыз. Дайындаманы орнықты платформада бекіту қажет.
- Әрбір қолдану алдында қорғайтын аспап қажетті түрде жабық тұрғанына көз жеткізіңіз.

Аралайтын диск қарысып қалған жағдайда немесе қандай да бір себеппен арамен кесуді тоқтатқан кезде, іске қосылатын аспапты жіберіп, аралайтын диск толық тоқтағанға дейін аралайтын дискті материалда қозғалтпай ұстап тұрыңыз. Өңделген дайындамадан араны шығаруға немесе аралайтын диск қозғалыста кезде тартуға тырыспаңыз – бұл кері соққыны тудыруы мүмкін.

ҚОРАПСЫЗДАНДЫРУ

Қаптан алу кезінде барлық бөлшектердің түгел екендігіне көз жеткізіңіз. Соңғы беттегі жинақтау сызбасын қараңыз. Қандай да болмасын бөлшектер бомаған жағдайда немесе ақаулы болған жағдайда IVT қызмет көрсету орталығына жүгініңіз.

ҚОЛДАНУДЫ БАСТАУ

Қоректендіргіш кернеуінің мәні құралдың құжаттық мәліметтерінде көрсетілген төлқұжаттық деректерге сай болу керек.

КЕРІ СОҚҚЫНЫҢ СЕБЕПТЕРІ МЕН АЛДЫН АЛУ

1. Кері соққы аралайтын дисктің қысылуынан, майысуынан немесе орнынан қозғалуынан туады, нәтижесінде кескіш байқаусызда бақылаудан шығып кетіп, өңделдіп жатқан бөлшектен қолданушыға қарай жұлуы мүмкін.
2. Егер аралайтын диск араланған/кесілген жерге қыстырылып қалса, аралайтын диск тоқтап қалса, сөйте тұра құрал қолданушыға қарай тез жылжитын болса.
3. Егер аралайтын диск кесікте майысса немесе орнынан қозғалса, ара жүзінің артқы жиегінің тістері ағаштың жоғарғы үстемесіне кіріп кетуі мүмкін, сол кезде араның жүзі араланған жерден шығып, операторға қарай секіреді.
4. Кері соққы – құралды дұрыс қолданбаудың және/немесе пайдалану ережелері мен шарттарын сақтамаудың нәтижесі. Кері соққыны болдырмау үшін келесі сақтық шараларын ұстану қажет:

· Араны екі қолыңызбен жақсылап ұстаңыз, сонда қол мен дене кері соққының күшіне кедергіні қамтамасыз етуі қажет, оның күшін қажетті сақтық шараларына жүгіне отырып бақылауда ұстауға болады.

· Егер аралайтын диск қыстырылып қалса немесе қандай да бір себеппен жұмысты тоқтату қажет болса, араны материалда қозғалтпастан, аралайтын дискке толық тоқтауға мүмкіндік бере отырып, ағытқыш құрылғыны жіберіңіз.

· Араның жүзі қозғалыста кезде өңделіп жатқан дайындамадан араны шығаруға немесе кері бағытта араны тартуға тырыспаңыз – бұл кері соққыға өкеліп соқтыруы мүмкін.

· Аралайтын дисктің қыстырылу себебін тауып, оны жойыңыз.

· Дымқыл ағашты, жаңадан кесілген ағаштан жасалған немесе қысым астында өңделген ағаш материалдарын арамен кесу кері соққыны болдырмас үшін ерекше назар аударуды талап етеді.

· Шегелерді кеспелеуге тырысыңыз. Арамен кесудің алдында ағашта шегенің барын тексеріп, барлығын алып тастаңыз.

· Араны қайта қосқан кезде, өңделетін дайындамаға араны кесіктің ортасына орнатып, ара тістері материалға тие ме, жоқ па, тексеріңіз. Егер аралайтын диск қыстырылып қалса, онда қайта қосқан кезде құрал артқа кетіп немесе өңделетін бөлшектен жұлынып шығуы мүмкін.

· Үлкен көлем панельдерінің салбырауына/қиғаштануына жол бермеңіз. Бұл аралайтын дисктің қыстырылып қалуына және кері соққыға соқтыруы мүмкін. Есіңізде болсын, үлкен көлем панельдері өз салмағымен салбырап қалуы мүмкін. Панель астынан екі жағынан тірек орнатыңыз – кесік сызығының жанына және кесіктің екінші жағынан панельдің шетіне.

· Жақсы қайралмаған немесе зақымданған аралайтын дискілерді қолдануға жол берілмейді.

· Қайралмаған немесе дұрыс орнатылмаған аралайтын диск өте тар қылып аралайды, бұл артық үйкелісті, аралайтын дискінің қысылуын және кері соққыны тудырады

· Аралау/кесуге кірісудің алдында аралау тереңдігін реттегіштің стопорлы сабы мен аралайтын диск райы жақсы тартылғанына және жөнделгеніне көз жеткізіңіз Аралайтын дискі баптауының өзгеруі қысылу мен кері соққыны тудыруы мүмкін.

· Аралайтын тереңдігі шамадан тыс араны қолдану құралға жүктемені және араланған жерде ара жүзінің бұралып қалуын арттырады. Бұл аралау жабылған жағдайда, қысылуға тап болатын ара жүзі үстемесінің аумағын кеңейтеді.

· Кезге көрінбейтін байқаусыз тұстары бар қабырғалар мен өзге объектілерді арамен

төртбұрышты кескен кезде барынша сақ болыңыз. Аралайтын дисктің сыртқа шыққан бөлігі заттарды зақымдап, кері соққы тудыруы мүмкін.

АРАЛАЙТЫН ДИСК ЭЛЕМЕНТТЕРІН ОРНАТУ ЖӘНЕ ШАҚТАУ



НАЗАР АУДАРЫҢЫЗ! Электр құралында кез келген жұмысты бастау алдында оны электр желісінен ажырату қажет.

Аралайтын дискті алмастыру

1. Құралды электр моторы қабының шетіне қойыңыз.
2. Тесіктері бар дөңгелек гайкаларға арналған кілттің (18) көмегімен сыртқы фланецті ұстап тұрып (13), гайка кілтінің көмегімен (18) аралайтын дисктің бекітетін болтын (12) бұрап шығарыңыз.
3. Жылжымалы қорғайтын құрылғыны (11) қорғайтын қапқа (4) толық кіретіндей етіп қозғалтыңыз; бұл аралайтын дискті еркін шығару үшін қажет (10). **[F1]**
4. Аралайтын дискті алмастыру (10). Аралайтын диск орнату кезінде (10) дисктегі тесік диаметрі ішкі фланец шоқысының диаметріне (20) сай келетініне көз жеткізіңіз.
5. Жылжымалы қорғайтын құрылғыны (11) өз орнына қойыңыз: дисктің тістері (10) жылжымалы қорғайтын құрылғымен (11) толық жабылуы тиіс.
6. Сыртқы фланецті орнатып (13) (сыртқы фланецтегі кертпе (13) аралайтын диск бағытында орналасуы керек) тесіктері бар дөңгелек гайкаға арналған кілтпен (18) ұстап тұрып, гайка кілтінің көмегімен (18) аралайтын дисктің бекітетін болтын (12) тартыңыз. **[F2]**

ШАҢ СОРУ



Шаңды сору шаңның, сонымен қатар қоршаған ортада да көп жиналуының алдын алуға көмектеседі, сондай-ақ жинау жұмыстарын айтарлықтай жеңілдетеді.

Ағашпен ұзақ жұмыс істегенде немесе денсаулыққа зиян шаң құрайтын материалда құралды коммерциялық пайдаланған кезде, құралды шаң соруға арналған сай келетін сыртқы құрылғыға қосу қажет.



ҚОСУ ЖӘНЕ СӨНДІРУ [F3]

Қосу

Машинаны қосу үшін блоктау батырмасын (16) басып ұстап, сөндіргішке (3) басыңыз.

Сөндіру

Машинаны сөндіру үшін «қосулы/сөндірулі» сөндіргішін жіберіңіз (3).

ПАЙДАЛАНУ ЖӨНІНДЕГІ НҰСҚАУЛЫҚ

· Дайындаманың сенімді қысылғанына көз жеткізіңіз. Өтініш, өңделетін дайындама бет жағымен төмен қарап тұрғанына көз жеткізіңіз, өйткені осылайша төменгі жағы барынша тура өңделетін болады.

· Аралайтын диск (10) өңделетін үстемеге тигенге дейін құрал қосылған болуы тиіс. Тым үлкен күш қолданбаңыз: кесу жылдам процесс болып табылмайды. Үлкен күш жұмысты жылдамдатпайды және құралдың артық жүктелуіне әкеліп соғады.

· Электр құралын екі тұтқасынан екі қолыңызбен ұстаңыз; осылайша құралға қажетті бақылау қамтамасыз етіледі.

· Кесуге арналған белгілер тігінен кескен кезде аралайтын дисктің (10) орналасуын, сонымен қатар 45° бұрыштан кесілгендерді көрсетеді. Жұмыс кезінде қателік жібермеу үшін алдымен сынақ түрінде кесіп көру орынды. [F4]

Кесу тереңдігін баптау

Бұл электр құралында кесу тереңдігін баяу өзгерту функциясы бар. Тура кесуге қол жеткізуге болады, ол үшін аралайтын диск (10) материал шетіне шамамен 3 мм шығып тұратындай етіп құралды орналастыру қажет.

1. Арамен кесу тереңдігін шектегіштің қысатын бұрандасын босатыңыз (17).
2. Арамен кесу тереңдігін шектегіштегі белгіге сәйкес қажетті тереңдікті орнатыңыз (2).

Арамен кесу тереңдігін шектегіштің қысатын бұрандасын тартыңыз (17). [F5]

Кесу бұрышын реттеу [F6]

Бұл электр құралында 0° пен 45° аралығында кесу бұрышын баяу өзгерту функциясы бар.

1. Кесу бұрышын (8) реттеу үшін елтірі бұранда мен тірек пластинасының (19) қысатын бұрандасын босатыңыз.
2. Корпустың көлбеуін шектегіште көрсетілген белгіге сәйкес қажетті кесу бұрышын орнатыңыз (6).
3. Қысатын бұрандалар (8) мен тірек плитасындағы/бағыттаушы платадағы қысатын

бұранданы (19) тартыңыз.

4. Қажет болған жағдайда тірек пластинасын (9) көтеру және түсіру арқылы кесу тереңдігін үлкейтуге және кішірейтуге болады (9).

Параллельді тіреуіш көмегімен кесу

Параллельді тіреуіш (14) дайындаманың дайын тік шетінің бойымен кесуге, сонымен қатар ені бірдей кесектер кесуге мүмкіндік береді.

1. Параллельді тіреуіштің (7) қысатын бұрандасын босатыңыз (7).
2. Параллельді тіреуіш (14) шкаласында көрсетілген белгіге сәйкес кесудің қажетті енін орнатыңыз.

Параллельді тіреуіштің (7) қысатын бұрандасын тартыңыз (7). [F7]

ҚЫЗМЕТ КӨРСЕТУ ЖӘНЕ САҚТАУ



АБАЙ БОЛЫҢЫЗ! Құралмен жұмысты бастау алдында желілік ашаны алып тасатыңыз.

· Құралды және желдеткіш саңылауларын (егер болса) тазалықта ұстаңыз. Үнемі тазарту және қызмет көрсету құралдың жоғары тиімділігін және ұзақ уақыт қолданылуын кепілдейді.

· Өндіріс пен сынаудың мінсіз шарттарына қарамастан, істен шыққан жағдайда, жөндеу жұмыстары IVT ресми орталықтарында жүргізілуі керек.

· Барлық сақиналар, болттар және бұрамалар мұқият бұралуы керек.

· Ақауланған немесе тозған бөлшектерді алмастырыңыз.

· Тек түпнұсқалық қосалқы бөлшектерді ғана пайдаланыңыз. Басқа тараптық өндіруші дайындаған бөлшектер нақты сай болмайды және жарақаттану қаупіні жоғарылатады.

· Құралды құрғақ әрі балалардың қолы жетпейтін жерде, тез тұтанатын материалдардан қауіпсіз қашықтықта сақтаңыз.

· Құралға су тигізбеңіз!

ҚОРШАҒАН ОРТАНЫ ҚОРҒАУ



Қалдықты болдырмау мақсатында шикізатты қайта қолдану!


Құралды, қосымша жабдықтарды және қаптаманы экологиялық таза жолмен қайта өңдеуге жіберу керек.

Пластикалық бөлшектер классификациялық қайта өңдеуге жіберіледі.

Осы нұсқаулықтар хлор пайдаланбай дайындалған екінші өңделім қағазына басылған.

KZ



 ҚР аумағында сапа бойынша наразылықтарды қабылдайтын ұйым: «Костанай DWT/ДВТ» ЖШС | Қостанай қ. Целинная көш., 4 - Қазақстан Республикасы | тел (7142) 28 07 00, -01 | Организация, принимающая претензии на территории РК: ТОО «Костанай DWT/ДВТ» | г. Костанай, ул. Целинная, 4 - Республика Казахстан | тел (7142) 28 07 00, -01



НАЗАР АУДАРЫҢЫЗ! БҰЙЫМҒА ӨЗ БЕТІҢІЗБЕН ЖӨНДЕУ ЖҮРГІЗІП, ОНЫҢ ІЗДЕРІН ЖАСЫРУҒА ТЫРЫСУҒА МҮЛДЕМ БОЛМАЙДЫ! Тек қана авторлық құқығы бар қызмет көрсету орталығының жөндеу жүргізуге және қамтылған техникалық қызмет көрсетуге құқығы бар. Бұйымның ішкі құрылымына өзгерістер енгізуге тыйым салынады! МҮНДАЙ ӘРЕКЕТТЕР КЕПІЛДІК МІНДЕТТЕМЕЛЕРДЕН БАС ТARTУҒА НЕГІЗ БОЛЫП ҚАНА ҚОЙМАЙ, СОНЫМЕН ҚАТАР ҚАУІПТІ ЖАРАҚАТ АЛУҒА ЖӘНЕ ЗИЯН КЕЛТІРУГЕ СЕБЕПШІ БОЛУЫ МҮМКІН.

CHARAKTERYSTYKA INSTRUMENTU

Model	CS-185-RC
Napięcie ~ Częstotliwość [V ~ Hz]	230 ~ 50
Moc znamionowa [W]	1400
Prędkość bez obciążenia [obr/min]	5500
Średnica tarczy piłowej Ø [mm]	185
Średnica otworu Ø tarczy piłowej [mm]	25.4
Grubość tarczy piłowej [mm]	1.2
Maksymalna głębokość cięcia przy 45° [mm]	62
Maksymalna głębokość cięcia przy 90° [mm]	45
Masa [kg]	4.5
Klasa bezpieczeństwa	II

WYKAZ CZĘŚCI

- Otwór odsysania pyłu
- Ogranicznik głębokości rozpiłowywania
- Przełącznik On/Off (Włączone/Wyłączone)
- Osłona ochronna tarczy piłowej
- Rękojeść dodatkowa
- Ogranicznik pochylenia obudowy
- Śruba zaciskowa ogranicznika równoległego
- Wkręt skrzydełkowy do wyregulowania kąta
- Płyta опорowa
- Tarcza piłowa
- Ruchome urządzenie ochronne
- Śruba mocująca tarczy piłowej
- Kołnier zewnątrzny
- Ogranicznik równoległy
- Otwory wentylacyjne
- Przycisk blokowania
- Śruba zaciskowa ogranicznika głębokości rozpiłowywania
- Klucz maszynowy
- Śruba zaciskowa płyty опорowej
- Kołnier wewnętrzny

ZAWARTOŚĆ PUDŁA

Instrukcja użytkownika (1 szt.), ogranicznik równoległy (1 szt.), klucz maszynowy (1 szt.), dodatkowa klamka (1 szt.), zestaw szczotek węglowych (1 szt.).

PRZEZNACZENIE

Dany model pilarki tarczowej można używać do rozpiłowywania półwyrobów drewnianych. Narzędzie nadaje się tylko dla użytkownika prawostronnego.

TECHNIKA BEZPIECZEŃSTWA PODCZAS EKSPLOATACJI

Szczególne reguły bezpieczeństwa

Następne instrukcje po technice bezpieczeństwa pomogą użytkownikowi poprawnie wykorzystywać urządzenie i zapewnić własne bezpieczeństwo. Dlatego trzeba przeczytać ich uważnie. W przypadku przekazania urządzenia trzeciej osobie trzeba przekazać i prawdziwe instrukcje po technice bezpieczeństwa.

Zachowacie daną instrukcję i inną literaturę, która wchodzi do kompletu dostarczenia.

Dotrzymajcie się technikę bezpieczeństwa i przestrzegaj na przyrządzie.

Przed początkiem pracy zapoznajcie się ze sterowaniem i regułami eksploatacji przyrządu, dowiedzcie się, jak zatrzymać przyrząd w wypadku pilnym.

Dotrzymanie tych prostych instrukcji pomoże poprzec wasz przyrząd w sprawnym stanie.

Przed wykorzystaniem przyrząd trzeba poprawnie zebrać.

Wykorzystujcie przyrząd tylko zgodnie z przeznaczeniem.

Przestuduj napisy uprzedzające na przyrządzie, wzoruj się wskazania po użyciu dostosowań ochronnych. Zapobiec wypadkom nieszczęśliwym pomogą uwaga, rozumne podejście do pracy i odpowiednie przygotowanie osób, które zostały wciągnięte w eksploatację, transportowanie, obsługę i przechowywanie przyrządu.

Nie zostawiajcie przyrząd bez nadzoru.

Nie dopuszczajcie wykorzystania przyrządu przez dzieci. Nie pozwalajcie dzieciom grać przyrządem.

Nie dopuszczajcie znajdowania w pobliżu dzieci i zwierząt. Osoby postronne muszą znajdować się na bezpiecznej odległości od pracującego przyrządu.



Zastawte pracę, pokud v blízkosti jsou nepovolány osoby, zejména děti nebo zvířata.

Przy pracy z przyrządem użytkownik ponosi odpowiedzialność za trzecich osób.

Osoby, nie zazanajomione z instrukcjami z eksploatacji, dzieci, że jest małoletni, taki, że nie osiągnęły wieku, że pozwala wykorzystywać przyrząd, a także osoby, że znajdują się w stanie alkoholowego albo narkotycznego upojenia, albo pod wpływem medycznych preparatów, nie dopuszczają się do pracy z przyrządem. Wiek operatora ustala się w miejscowych normatywnych aktach.



UWAGA! Alkohol, niektóre lekarskie preparaty i narkotyczne substancje, a także stan niedomagania, gorączka i zmęczenie obniżają szybkość reakcji. Nie wykorzystujcie narzędzia elektryczne w wypadkach wyższe wymienionych.

Przekonajcie się, że wszystkie ochronne dostosowania (jeśli są dostępne) są ustalone i przydatne do eksploatacji.

Nie wykorzystujcie przyrząd z uszkodzonymi ochronnymi dostosowaniami (jeśli są dostępne), albo bezich.

Obejrzyjcie przyrząd na obecność detali zamocowanych (nakrętek, bolców, wkrętów i tak dalej) albo obrażeń. Żeby zabezpieczyć bezpieczną pracę przyrządu, okresowo sprawdzaj, czy dobrze są zawleczone bolcy i wkręty. Przy konieczności przed użyciem przyrządu zrób ich remont albo zamianę. W razie użycia uszkodzonego przyrządu operatorowi albo postronnym osobom mogą być naniesione urazy poważne.

Dla pracy wykorzystujcie odpowiednią odzież. Odzież luźna, ozdoby mogą być zawleczone ruchomymi częściami. Wykorzystujcie odpowiednie ubranie robocze. Obroń odnoża i stopy od śmieci, które rozlatuje się. Nie pracujcie boso albo w otwartych sandałach. Zbierajcie długie włosy z tyłu.

Trzymaj rączki w czystości i suchości.

Wykorzystujcie odpowiednie dostosowania ochronne. Wykorzystujcie okulary ochronne i rękawiczki. Podczas pracy z proszkami albo podczas odpadów gazów spalinowych wykorzystujcie respirator przeciwpyłowy. W razie potrzeby włóżcie nieśliskie obuwie, hełm i wkładki uszne. Jeśli poziom szumu przekracza 85 dB(A), obowiązkowo wykorzystuj naszłuki ochronne.



UWAGA! Wykorzystowuj środki obrony indywidualnej! Ochronne dostosowania i zasoby obrony indywidualistycznej zabezpieczają obronę waszego zdrowia i zdrowia ludzi, które znajdują się obok, a także gwarantują regularną pracę przyrządu.

Nie uruchamiajcie przyrząd, jeśli on jest odwrócony albo znajduje się w nie roboczym położeniu.

Podczas pracy zachowuj stała pozycje. Ciagle zachowuj równowage.

Przed wykorzystaniem posprzątajcie z roboczego placyka wszystkie postronne przedmioty, unikajcie trafienia pod przyrząd postronnych przedmiotów podczas pracy. Dotrzymuj czystość na dziale roboczej. Na zagraconych działkach obserwuje się wysoki poziom urazowości.

Nie przeciążajcie przyrząd.

Wykorzystujcie przyrząd tylko przy dziennym albo dobrym sztucznym oświetleniu. Nie wykorzystujcie przyrząd w warunkach zlej widzialności

Nie roń przyrząd, nie dopuszczaj styczności przyrządu z jakimikolwiek przeszkodami.

OSTROŻNIE! Bądź baczny. Śledź za pracą. Oderwał się, można utracić kierowanie. Podchodź do pracy mądrze.

Reguły bezpieczeństwa elektrycznego

UWAGA! W celach zapobiegania ciosowi przez prąd elektryczny, sprawiania osobistej krzywdy albo błysku podczas wykorzystania instrumentów elektrycznych trzeba dotrzymywać następane instrukcje po technice bezpieczeństwa. Przed wykorzystaniem instrumentu przeczytajcie i rzetelnie dotrzymujcie dane instrukcje.

Żeby zwiększyć poziom bezpieczeństwa, rekomenduje się wykorzystywać urządzenie obrony dyferencjalnej (RCD), przewidziane na prąd odłączenia nie więcej aniź 30 mA. Sprawdzajcie RCD przy każdym użyciu. Odwołacie się do elektryka wykwalifikowanego.



UWAGA! Wykorzystanie RCD albo innego przerywacza nie zwalnia operatora kosiarki od obowiązkowego zapoznania się z regułami techniki bezpieczeństwa i przyjęciami bezpiecznej pracy, wskazanymi w danej instrukcji.

Napięcie sieci musi odpowiadać znaczeniu, wskazanemu na tabliczce czy etykietce. Nie wykorzystujcie inne źródła odżywiania.

Przed podłączeniem przyrządu do sieci przekonacie się, że gniazdo odpowiada danym, wskazanym na tabliczce.

Unikaj kontaktu z powierzchniami uziemionymi (rurami, radiatorami, bateriami i chłodniami). Przy uziemieniu przez ciało ryzyko ciosu elektrycznym prądem zwykłego.



OSTROŻNIE! Żeby uniknąć poparzenia albo porażki elektrycznym prądem nie dotykaj do detali elektroprzewodzących.

Nie ciągnijcie za kabel przy przemieszczeniu przyrządu. Wykorzystuj sznur z ostrożnością. Strzeż sznur od działania ciepła, unikaj jego kontaktu z materiałami do smarowania, a także ostrymi przedmiotami albo częściami ruchomymi.

Bądźcie ostrożne ze sznurem.

Nie wykorzystuj elektroinstrumenty w pobliżu płynów łatwopalnych i palnych gazów.

Przed tym, jak przenosić przyrząd na inne miejsce, odłączajcie jego od sieci.



OSTROŻNIE! Przyrząd trzeba najpierw odłączyć, a potem odłączyć od gniazda albo przedłużacza.

Nie przeciskaj przedłużacz podczas pracy przyrządu. Nie trać kabel z widoku.

Nie podłączaj przedłużacz bezpośrednio do przyrządu samodzielnie. Zwróć się do najbliższego centrum obsługi dzienniku.

W razie obrażenia sznura zasilania w celu zapobieżenia niebezpieczeństwu jego musi zamienić producent albo jego agent, albo analogiczna osoba wykwalifikowana.

Natychmiast wyciągnąć widełki z gniazda, jeśli kabel jest uszkodzony albo przekrawany.



UWAGA! NIEBEZPIECZEŃSTWO PORAŻKI ELEKTRYCZNYM PRĄDEM!

Śledź za produkcyjnym środowiskiem. Nie wykorzystuj elektroinstrumenty podczas deszczu. Nie wykorzystuj elektroinstrumenty w wilgotnych i surowych pomieszczeniach. Zawieraj roboczą działkę w suchości, zabezpiecz dobre oświetlenie. Strzeż przyrząd od wilgoci. Nie zostawiaj przyrząd na świeżym powietrzu na noc. W wypadku trafienia wody do elektroinstrumentu zwiększ ryzyko ciosu prądem elektrycznym.

Regularnie i każdorazowo przed użyciem sprawdzaj kabel żywienia na obecność obrażeń i oznak znoszenia.

Nie wykorzystuj przyrząd z uszkodzonym kablem;

zwróć się do oficjalnego centrum obsługi.

Podczas pracy poza pomieszczeniem wykorzystuj tylko przeznaczone dla tego przedłużacze z odpowiednim metkowaniem. Unikaj trafienia kabla pod przyrząd, strzeż jego od wilgoci, od działania ciepła, unikaj kontaktu z materiałami do smarowania i substancjami łatwopalnymi.

Unikaj okazyjnego rozruchu przyrządu : przed podłączeniem do sieci przekonaj się, że wyłącznik znajduje się w położeniu «off» (wyłączono).

Przed włączeniem przyrządu wyciągnij klipy i klucze podstawowe.

Nie wykorzystujcie przyrząd z niesprawnym wyłącznikiem. Przyrząd z niesprawnym wyłącznikiem przedstawia niebezpieczeństwo i wymaga remontu.



UWAGA! NIEBEZPIECZEŃSTWO PORAŻKI ELEKTRYCZNYM PRĄDEM!

Czasami podczas działania elektroinstrumentów utwarza się kurz, zawierająca substancje chemiczne, które wywołują raka. Do takich substancji chemicznych odnoszą się: ołów w składzie blejwajsów, kwarc, który wchodzi do skład cegły i cementu, arsen i chrom, które mieści się w piłomateriale, obrobionym chemicznymi reagentami, i inne substancje szkodliwe. Ryzyko działania tych substancji chemicznych zależy od częstotliwości przeprowadzenia związanych z nimi prac. **Żeby skrócić ich działanie szkodliwe, pracuj w dobrze przewietrzonym pomieszczeniu i wykorzystuj zatwierdzone dostosowania ochronne, na przykład, przeciwpyłowe respiratory, specjalnie opracowane dla odfiltrowywania mikroskopijnych części.**

Przy trafieniu pod przyrząd postronnego przedmiotu, obejrj jego na obecność obrażeń i zrób konieczny remont.

Przy powstaniu wygórowanej wibracji zagłuszcycie silnik i natychmiast wyjaśnicie przyczynę. Wibracja zwykle jest oznaką obrażenia.

Przed tym, jak porzucić robocze miejsce, zrobić remont, przegląd albo oczyszczenie przyrządu, odłącz jego i poczekaj do pełnego zatrzymania się.

Zakazuje się usuwać albo zmieniać elektryczne i mechaniczne urządzenia obrony.

Szczególne reguły z technice bezpieczeństwa

- Należy upewnić się w tym, że wszystkie urządzenia zamontowane na tarczy piłowej znajdują się w perfekcyjnym stanie technicznym.
- Należy upewnić się w tym, że tarcza piłowa jest ustawiona prawidłowo.
- Nigdy nie stosować płyt HSS (z szybkoobrotowej



stali narzędziowej), które nie odpowiadają warunkom technicznym wskazanym w niniejszej instrukcji obsługi.

- Przed rozpiłowywaniem usunąć wszystkie gwoździe i inne przedmioty metaliczne z półwyrobu.
- Nigdy nie rozpoczynać rozpiłowywania, dopóki tarcza piłowa nie osiągnie swoją prędkość maksymalną.
- Pilarkę tarczową można usunąć z miejsca pracy dopiero po wyłączeniu i zatrzymaniu tarczy piłowej.
- Nigdy nie próbować obniżyć prędkości tarczy piłowej przez stawianie nacisku na nią.
- Upewnić się w tym, że średnica występu kołnierza wewnętrznego odpowiada otworowi wewnętrznemu tarczy piłowej.
- Używać tylko ostrych tarcz piłowych bez uszkodzeń. Natychmiastowo wymieniać tarcze piłowe ze szczelinami, wygięte lub stępione.
- Kierunek strzałki na tarczy piłowej powinien zawsze odpowiadać kierunkowi strzałki na osłonie ochronnej tarczy piłowej.
- Jakikolwiek usuwanie urządzeń ochronnych z pilarki tarczowej przed rozpiłowywaniem jest zabronione.
- Podczas rozpiłowywania półwyrobów o niewielkich rozmiarach, które są zbyt lekkie do bezpiecznego mocowania dzięki własnej wadze, należy stosować urządzenia zaciskowe.
- Rozpiłowywanie jakichkolwiek półwyrobów azbestowych jest zabronione.
- W żadnych okolicznościach nie dotykać rękoma obracającej się tarczy piłowej.
- Nie pracować z pilarką tarczową w pozycji górnej (nad głową).
- Nie blokować ruchomą osłonę ochronną, nie pozwalać na jej zatkanie trocinami. W razie konieczności, zatrzymać pilarkę tarczową i nie kontynuować pracy do usunięcia uszkodzenia.
- Trzymać ręce jak najdalej od strefy rozpiłowywania i tarczy piłowej. Trzymać drugą rękę na rękojeści pomocniczej lub na obudowie silnika.
- W trakcie rozpiłowywania nigdy nie trzymać półwyrobu w rękach lub w poprzek nogi. Półwyrób należy umocować na stabilnej platformie.
- Przed każdym zastosowaniem należy upewnić się w tym, że urządzenie ochronne zamknięto w sposób odpowiedni.

W przypadku zaklinowywania tarczy piłowej lub po przerywaniu się rozpiłowywania z jakiegokolwiek powodu należy puścić spust i utrzymywać pilarkę nieruchomo w materiale, dopóki tarcza piłowa nie zatrzyma się do końca. Nie próbować wyciągać pilarkę z obrabianego półwyrobu lub ciągnąć pilarkę w kierunku powrotnym podczas, gdy tarcza piłowa znajduje się w ruchu. Może to spowodować odrzut.

ROZPAKOWYWANIE

Przy rozpakowywaniu sprawdźcie obecność wszystkich elementów. Patrz kreślenia do danego kierownictwa. Przy nieobecności albo uszkodzeniu niektórych detali zwróćcie się do centrum podtrzymania IVT.

POCZĄTEK EKSPLOATACJI

Znaczenie napięcia zasilania musi odpowiadać wskazanemu w tabliczce technicznych danych instrumentu.

PRZYCZYNY I ZAPOBIEGANIE ODRZUTU

1. Odrzut jest spowodowany zaciskiem, wygięciem lub przesunięciem tarczy piłowej w wyniku czego pilarka nagle wychodzi spod kontroli, wyrwa się z obrabianej części w kierunku użytkownika.
2. Jeżeli tarczę piłową zablokowało lub zacisnęło w przecięciu/cięciu, tarcza piłowa zatrzymuje się, przy tym narzędzie szybko przesuwa się do tyłu w kierunku użytkownika.
3. Jeśli tarcza piłowa wygina się lub odchyła się w cięciu, zęby tylnej krawędzi tarczy mogą zakopać się w górnej powierzchni drewna, przy tym tarcza wychodzi z przepiłowania i odskakuje w kierunku użytkownika.
4. Odrzut piły jest wynikiem nieprawidłowego zastosowania narzędzia i/lub nieprzestrzegania zasad i warunków eksploatacji. Aby uniknąć odrzutu należy przestrzegać następujących środków ostrożności:

- Mocno trzymać narzędzie obydwo rękoma, przy czym położenie rąk i ciała powinno zapewniać opór sile odrzutu, moc którego można kontrolować przestrzegając odpowiednich środków ostrożności.
- Jeśli tarcza piłowa jest zaciśnięta lub z jakiegokolwiek przyczyny trzeba zatrzymać pracę, należy puścić spust, nie przesuwać przy tym pilarki w materiale. Należy pozwolić tarczy piłowej zatrzymać się całkowicie.
- Nie próbować wyciągać pilarkę z obrabianego półwyrobu lub ciągnąć pilarkę w kierunku powrotnym podczas, gdy tarcza piłowa znajduje się w ruchu. Może to spowodować odrzut.
- Należy zorientować się w przyczynach zacisku tarczy piłowej i usunąć przyczynę.
- Rozpiłowywanie wilgotnego drewna, tarcicy ze świeżo wyrąbanych drzew lub drewna poddanego obróbce pod ciśnieniem wymaga szczególnej uwagi w celu zapobiegania odrzutom.
- Unikać cięcia gwoździ. Należy sprawdzić ich obecność i usunąć wszystkie gwoździe z drewna przed rozpiłowywaniem.
- Przy ponownym uruchomieniu pilarki, po ustawieniu

jej w obrabianej części należy się upewnić, że tarcza piłowa znajduje się w środku przecięcia, a zęby nie dotykają materiału. Jeżeli tarcza piłowa jest zaciśnięta, podczas ponownego uruchomienia narzędzie może pójść do tyłu lub wyrwać się z części obrabianej.

- Nie wolno dopuszczać zwisania/skrzywienia płyt o dużych wymiarach. Może to spowodować zaciśnięcie tarczy piłowej i odrzut. Należy pamiętać o tym, że płyty o dużych wymiarach mogą zwiśać pod własnym ciężarem. Należy ustawić podpory z obu stron - obok linii cięcia oraz kraju panelu z drugiej strony cięcia.

- Nie używać źle zaostrzonych lub uszkodzonych tarcz piłowych.

- Nienaostrzona lub źle ustawiona tarcza piłowa wykonuje zbyt wąskie przecięcie, powoduje to nadmierne tarcie, zaciśnięcie tarczy piłowej i odrzut.

- Przed rozpoczęciem przecięcia/cięcia należy się upewnić, że rękojeści zatrzymujące regulacji głębokości przecięcia i nachylenia tarczy piłowej są sprawne i dobrze dokręcone. Zmiana ustawienia tarczy piłowej w trakcie cięcia może spowodować zaciśnięcie i odrzut.

- Korzystanie z pilarki z nadmierną głębokością cięcia powiększa obciążenie na narzędzie i naraża ostrze na skręcanie w miejscu przepiłowania. Powiększa to również powierzchnię ostrza, która naraża się na zacieśnienie w przypadku zamknięcia przepiłowania.

- Należy podjąć szczególne środki ostrożności podczas wykonania czterokątnych przecięć w ścianach lub innych obiektach, gdzie są powierzchnie niedostępne do obejrzenia. Występująca na zewnątrz część tarczy piłowej może uszkodzić obiekty lub spowodować odrzut.

INSTALACJA I PRZYSTOSOWANIE ELEMENTÓW TARCZY PIŁOWEJ



OSTROŻNIE! Przed wykonaniem jakichkolwiek prac przy pomocy narzędzi elektrycznych, należy wyłączyć je z sieci elektrycznej.

Wymiana tarczy piłowej

1. Połóż narzędzie na koniec obudowy silnika.
2. Utrzymując kołnierz zewnętrzny (13) przy pomocy klucza wtykowego do nakrętek z dwoma otworami (18) odkręć śrubę zaciskową tarczy piłowej (12) przy pomocy klucza maszynowego (18).
3. Zsunąć ruchome urządzenie ochronne (11) w ten sposób, aby całkowicie trafiło do osłony ochronnej (4); należy to wykonać, aby móc swobodnie wyciągnąć tarczę piłową (10). **[F1]**
4. Wymienić tarczę piłową (10). W trakcie montażu tarczy piłowej (10) należy upewnić się, że średnica otworu w tarczy odpowiada średnicy występu kołnierza

wewnętrzny (20).

5. Zwrócić ruchome urządzenie ochronne (11) do stanu wyjściowego: zęby tarczy (10) muszą być całkowicie zamknięte przez ruchome urządzenie ochronne (11).

6. Ustawić kołnierz zewnętrzny (13) (paza na kołnierzu zewnętrznym (13) powinna mieścić się w kierunku ostrza tnącego) i, utrzymując go przy pomocy klucza wtykowego do nakrętek z dwoma otworami (18), zaciągnąć śrubę mocującą tarczę piłowej (12) przy pomocy klucza maszynowego (18). **[F2]**

ODSYSANIE KURZU



Odsysanie kurzu pozwala uniknąć nagromadzenia dużej ilości kurzu, w tym w otaczającym powietrzu oraz znacznie ułatwia sprzątanie.

W przypadku długotrwałej pracy z drewnem lub komercyjnej eksploatacji narzędzia do obróbki materiałów tworzących szkodliwy dla zdrowia pył, należy podłączyć narzędzie do odpowiedniego urządzenia zewnętrznego do odsysania kurzu.

WŁĄCZENIE I WYŁĄCZENIE (ON/OFF) [F3]

Włączenie (On)

Aby włączyć maszynę, należy odepchnąć i trzymać przycisk blokowania (16) i nacisnąć przełącznik (3).

Wyłączenie (Off)

Aby wyłączyć maszynę, należy puścić przełącznik «włączone/wyłączone» (on/off) (3).

PRZEPISY EKSPLOATACJI

- Upewnić się, że półwyrób jest dobrze zaciśnięty. Proszę upewnić się w tym, że obrabiany półwyrób rozmieszcza się stroną licową w dół, ponieważ w ten sposób dolna krawędź będzie obrabiana bardziej precyzyjnie.

- Narzędzie powinno być włączone, zanim tarcza piłowa (10) dotknie obrabianego półwyrobu. Nie stosować nadmiernej mocy: cięcie nie jest szybką pracą. Nadmierna moc nie przyspieszy pracy i spowoduje przeciężenie narzędzia.

- Trzymać narzędzie elektryczne obydwojema rękami za obydwie rękojeści; w ten sposób będzie zapewniona pełna kontrola nad narzędziem.

- Znaki cięcia wskazują na pozycję tarczy piłowej (10) podczas wykonania rozcięć pionowych oraz rozcięć pod kątem 45°. Wskazane wykonywać rozcięcia



próbne, aby wyeliminować błędy podczas pracy. [F4]

Ustawienie głębokości cięcia

Dane narzędzie elektryczne umożliwia płynną zmianę głębokości cięcia. Osiągnąć precyzyjność cięcia można rozmieszczając narzędzie w ten sposób, aby tarcza piłowa (10) wychylała się poza krawędź materiału obrabianego na około 3 mm.

1. Rozluźnić śrubę zaciskową ogranicznika głębokości rozpiłowywania (17).
2. Ustawić potrzebną głębokość cięcia zgodnie ze znakiem na ograniczniku głębokości rozpiłowywania (2).

Dociągnąć śrubę zaciskową ogranicznika głębokości rozpiłowywania (17). [F5]

Regulowanie kąta cięcia [F6]

Dane urządzenie elektryczne umożliwia płynną zmianę kąta cięcia w zakresie od 0° do 45°.

1. Rozluźnić wkręt skrzydełkowy do wyregulowania kąta cięcia (8) i śrubę zaciskową płyty oporowej (19).
2. Ustawić pożądany kąt cięcia zgodnie ze znakiem na ograniczniku pochylecia obudowy (6).
3. Dociągnąć śruby zaciskowe (8) i śrubę zaciskową płyty oporowej/prowadnicy (19).
4. W razie konieczności można powiększać lub pomniejszać głębokość cięcia podnosząc lub opuszczając płytę oporową (9).

Cięcie przy pomocy ogranicznika równoległego

Ogranicznik równoległy (14) pozwala dokonywać cięcia wzdłuż istniejącej krawędzi półwyrobu oraz cięcia sztabek o jednakowej szerokości.

1. Rozluźnić śrubę zaciskową ogranicznika równoległego (7).
2. Ustawić potrzebną szerokość cięcia zgodnie z adnotacją na skali ogranicznika równoległego (14).

Dociągnąć śrubę zaciskową ogranicznika równoległego (7). [F7]

OBŚLUGA I PRZECHOWYWANIE



OSTROŻNIE! Nim zacząć pracę z instrumentem, wyciągnijcie wtyczkę sieciową.

- Trzymajcie przyrząd i wentylacyjne otwory (jeśli są dostępne) w czystości. W razie popsucia, nie zważając na doskonałe warunki produkcji i wypróbowań, remont musi wykonywać się w oficjalnym serwisowym centrum IVT.
- W razie uszkodzenia, nie zważając na doskonałe warunki produkcji i wypróbowań, remont musi wykonywać się w oficjalnym serwisowym centrum IVT.
- Wszystkie nakrętki, bolcy i wkręty powinny być szczególnie zawleczone.
- Zamięć uszkodzone albo zużyte detale.
- Wykorzystujcie tylko oryginalne części zamienne. Detale, zrobione postronnym producentem, przylegają nieszczelnie i podwyższają ryzyko powstania urazów.
- Zachowuj przyrząd w suchym niedostępnym dla dzieci miejscu, na bezpiecznej odległości od materiałów łatwopalnych.
- Unikajcie trafienia wody na przyrząd!

OCHRONA

PRZYRODNICZEGO

ŚRODOWISKA



Możliwość recyklingu surowca, nie wyrzucać do śmietnika!

Narzędzia, dodatkowe urządzenia oraz opakowanie nadają się na ekologicznie czysty recyklingu. Elementy plastikowe są kierowane na klasyfikowany recykling.

Niniejsza instrukcja z eksploatacji jest nadrukowana na papierze, który przeszedł recykling, papier nie zawiera chloru.



UWAGA! NIE NALEŻY DOKONYWAĆ PRÓB SAMODZIELNEJ NAPRAWY PRODUKTU ANI PRZY NIM MANIPULOWAĆ! Wszelkie działania dotyczące naprawy lub dodatkowej konserwacji muszą przeprowadzać wykwalifikowani i autoryzowani pracownicy centrum usługowego IVT. Nie należy dokonywać prób modyfikacji żadnych wewnętrznych części produktu! CZYNNOSC TAKA SPOWODUJE CAŁKOWITE UNIEWAŻNIENIE GWARANCJI, A TAKŻE MOŻE DOPROWADZIC DO POWAŻNEGO USZKODZENIA CIAŁA LUB PRODUKTU.

ХАРАКТАРЫСТЫКА ІНСТРУМЕНТА

Мадэль	CS-185-RC
Напружанне ~ Частата [В ~ Гц]	230 ~ 50
Намінальная магутнасць [Вт]	1400
Частата кручэння на халастой хадзе [аб./хв.]	5500
Дыяметр пільнага дыска Ø [мм]	185
Дыяметр адтуліны пільнага дыска Ø [мм]	25.4
Таўшчыня пільнага дыска [мм]	1.2
Макс. глыбіня рэзу пры 45° [мм]	62
Макс. глыбіня рэзу пры 90° [мм]	45
Вага [кг]	4.5
Клас бяспекі	II

ПЕРАЛІК ЗАПЧАСТАК

1. Адтуліна пылаадводу
2. Абмежавальнік глыбіні распілоўвання
3. Выключальнік «уклучана/выключана»
4. Ахоўны кажух пільнага дыска
5. Дадатковая дзяржальня
6. Абмежавальнік нахілу корпуса
7. Заціскная шруба паралельнага ўпора
8. Баранковая шруба для рэгулявання кута
9. Апорная пласціна
10. Пільны дыск
11. Рухомая ахоўная агароджа
12. Крапежны ніт пільнага дыска
13. Вонкавы фланец
14. Паралельны ўпор
15. Вентыляцыйныя адтуліны
16. Пимпка блакавання
17. Заціскная шруба абмежавальніка глыбіні распілоўвання
18. Гаечны ключ
19. Заціскная шруба апорнай пласціны
20. Унутраны фланец

ЗМЕСЦІВА СКРЫНКІ

Інструкцыя па эксплуатацыі (1 шт.), паралельны ўпор (1 шт.), гаечны ключ (1 шт.), дополнительная ручка (1 шт.), набор карбонавых шчотак (1 шт.).

ПРЫЗНАЧЭННЕ

Дадзеную мадэль цыркулярнай пілы можна выкарыстоўваць для распілоўкі драўляных заготовак. Прылада падыходзіць толькі для правабаковага выкарыстання.

ТЭХНІКА БЯСПЕКІ ПАДЧАС ЭКСПЛУАТАЦЫІ

Агульныя правілы бяспекі

Наступныя інструкцыі па тэхніцы бяспекі дапамогуць карыстальніку правільна выкарыстоўваць прыладу і забяспечыць уласную бяспеку. Таму варта прачытаць іх уважліва. У выпадку перадачы прылады трэцяй асобе, неабходна перадаць і сапраўдныя інструкцыі па тэхніцы бяспекі.

Захавайце дадзеную інструкцыю і іншую літаратуру, якая ўваходзіць у камплект пастаўкі.

Вынікайце тэхніцы бяспекі і перасцярогам на інструменты.

Перад пачаткам працы азнаёмцеся з органамі кіравання прыбора, але, першым чынам, вывучыце спосабы яго экстранага прыпынку.

Выконванне гэтых простых інструкцый дапаможа ўтрымоўваць ваш інструмент у спраўным стане.

Перад выкарыстаннем інструмент неабходна правільна сабраць.

Выкарыстоўвайце інструмент толькі па прызначэнні.

Вывучыце папераджальныя надпісы на інструменты, вынікайце ўказанням па выкарыстанні ахоўных прыстасаванняў.

Прадухіліць няшчасныя выпадкі дапамогуць уважлівасць, разумны падыход да працы і адпаведная падрыхтоўка асоб, задзейнічаных у эксплуатацыі, транспартаванні, абслугоўванні і захоўванні інструмента.

Не пакідайце інструмент без нагляду.

Не дапушчайце выкарыстанне інструмента дзецьмі. Не дазваляйце дзецям гуляць з інструментам.

Не дапушчайце знаходжання зблізку дзяцей і жывёл.

Староннія асобы павінны знаходзіцца на бяспечнай адлегласці ад працуючага інструмента. Спыніце працу, калі паблізу знаходзяцца староннія людзі, асабліва дзеці, ці жывёлы.



Пры працы з інструментам карыстач нясе адказнасць за трэціх асоб.

Асобы, не азнаёмыя з інструкцыямі па эксплуатацыі, дзеці, непаўналетнія, не дасягнулыя ўзросту, які дазваляе выкарыстоўваць інструмент, а таксама асобы, якія знаходзяцца ў стане алкагольнага ці наркатычнага ап'янення, або пад уздзеяннем медыцынскіх прэпаратаў, не дапускаюцца да працы з інструментам. Узрост аператара вызначаны ў мясцовых нарматыўных актах.



УВАГА! Алкаголь, некаторыя лекавыя прэпараты і наркатычныя рэчывы, а таксама стан хворасці, жар і стома зніжаюць хуткасць рэакцыі. Не выкарыстоўвайце электраінструменты ў вышэйпералічаных выпадках.

Пераканаіцеся, што ўсе ахоўныя прыстасаванні (ёсць у наяўнасці) ўсталюваны і прыдатныя да эксплуатацыі.

Не выкарыстоўвайце інструмент без ахоўных прыстасаванняў (ёсць у наяўнасці), або калі яны пашкоджаны.

Аглядыце інструмент на наяўнасць незамацаваных дэталюў (гаек, нітаў, шруб і г.д.) ці пашкоджанняў. Каб забяспечыць бяспечную работу інструмента, перыядычна правярайце, ці добра зацягнуты ніты і шрубы (ёсць у наяўнасці). Пры неабходнасці перад выкарыстаннем інструмента вырабіце іх ремонт ці замену. У выпадку выкарыстання пашкоджанага інструмента аператару ці староннім тварам могуць быць нанесены сур'ёзныя траўмы.

Выкарыстоўвайце для работы адпаведную спецвопратку. Прасторная адзежа, упрыгожванні могуць быць зацягнуты рухомымі часткамі. Выкарыстоўвайце адпаведную спецвопратку, доўгія штаны і трывалы абутак. Ахоўвайце ногі і ступні ад разлятаючага смецця. Не працуйце басанож ці ў адкрытых сандалях. Збярыце доўгія валасы ззаду. Утрымуйце рукі ў чысціні і сухасці.

Выкарыстоўвайце адпаведныя ахоўныя прынады. Выкарыстоўвайце ахоўныя акуляры і пальчаткі. Пры працы з парашкамі або пры выкідах выхляпных газаў выкарыстоўвайце пратывопыльцевы рэспіратар. Пры неабходнасці надзеньце няслізкай абутак, каску і вушныя ўкладышы. Калі ўзровень шуму перавышае 85 дБ(А), абавязкова выкарыстоўвайце ахоўныя слухаўкі.



УВАГА! Выкарыстоўвайце сродкі індывідуальнай аховы! Ахоўныя прыстасаванні і сродкі індывідуальнай аховы забяспечваюць ахову вашага здароўя і здароўя іншых асоб, а таксама гарантуюць бесперабойную работу інструмента.

Не запускайце інструмент, калі ён знаходзіцца ў перавернутым ці няправільным працоўным палажэнні.

Падчас працы захоўвайце ўстойлівае становішча. Увесь час захоўвайце раўнавагу.

Захоўвайце чысціню на працоўным участку. На загрузачныя участкі назіраецца высокі ўзровень траўматызму. Перад выкарыстаннем інструмента прыбярыце з рабочай пляцоўкі ўсе староннія прадметы, а таксама пазбягайце пападання пад інструмент старонніх прадметаў падчас працы.

Не перагружайце інструмент.

Выкарыстоўвайце прыладу толькі пры дзённым або добрым штучным асвятленні. Не выкарыстоўвайце інструмент ва ўмовах дрэннай бачнасці.

Не губляйце інструмент, не дапускайце сутыкнення інструмента з якімі-небудзь перашкодамі.

Будзьце ўважлівыя. Сачыце за працай. Аднягнуўшыся, можна страціць кіраванне. Выкарыстоўвайце разумны сэнс.

Правілы электрабяспекі

УВАГА! У мэтах прадухілення ўдару электрычным токам, траўматызму ці ўзгарання пры выкарыстанні электраінструментаў неабходна выконваць наступныя інструкцыі па тэхніцы бяспекі. Перад выкарыстаннем прылады працуйце і старанна выконвайце дадзеныя інструкцыі.

Каб павысіць узровень бяспекі, рэкамендуецца выкарыстоўваць прыладу дыферэнцыяльнай абароны (RCD), разлічанае на ток адключэння не больш чым 30 мА. Правярайце RCD пры кожным выкарыстанні. Звярніцеся да кваліфікаванага электрыка.



Інструкцыя па эксплуатацыі



УВАГА! Выкарыстанне RCD ці іншага перарывальніка не вызваляе аператара ад абавязковага азнаямлення з правіламі тэхнікі бяспекі і прыёмамі бяспечнай працы, вызначанымі ў дадзенай інструкцыі.

Напруга сеткі павінна адпавядаць значэнню, паказанаму на таблічцы ці цэтліку. Не выкарыстоўвайце іншыя крыніцы сілкавання.

Перад падключэннем прылады да сеткі пераканайцеся, што разетка адпавядае дадзеных, пазначаных на цэтліку.

Пазбягайце кантакту з заземленымі паверхнямі (трубамі, радыятарамі, батарэямі і рэфрыжэратарамі). Пры заземленні праз цела рызыка ўдару электрычным токам павялічваецца.



АСЦЯРОЖНА! У пазбяганне апёку ці паразы электрычным токам не датыкайцеся да дэталей, якія праводзяць электрычны ток.

Не цягніце за кабель пры перасоўванні інструмента. Выкарыстоўвайце шнур з асцярожнасцю. Беражыце шнур ад уздзеяння цяпла, пазбягайце яго кантакту са змазвальнымі матэрыяламі, а таксама вострымі прадметамі ці рухомымі часткамі.

Будзьце асцярожныя са шнурам.

Не выкарыстоўвайце электраінструменты зблізку лёгкаўзгаральных вадкасцяў і гаручых газаў.

Перад тым, як пераносіць інструмент на іншае месца, адключайце яго ад сеткі.



АСЦЯРОЖНА! Інструмент неабходна спачатку адключыць, а затым адлучыць ад разетки ці падаўжальніка.

Не пераціскайце падаўжальнік падчас працы прыбора. Не губляйце кабель з выгляду.

Не падлучайце падаўжальнік проста да прыбора самастойна. Звярніцеся ў бліжэйшы афіцыйны цэнтр абслугоўвання.

Пры пашкоджанні шнура харчавання, каб пазбегнуць небяспекі яго павінен замяніць вытворца або яго агент, ці аналагічнае кваліфікаванае твар.

Неадкладна атрымаць вілку з разетки, калі кабель пашкоджаны або разрэзаны.



УВАГА! НЕБЯСПЕКА ПАРАЗЫ ЭЛЕКТРЫЧНЫМ ТОКАМ!

Сачыце за асяроддзем на рабочай пляцоўцы. Не выкарыстоўвайце электраінструменты падчас дажджу. Не выкарыстоўвайце электраінструменты ў вільготных і волкіх памяшканнях. Утрымоўвайце рабочую пляцоўку ў сухасці, забяспечце добрае асвятленне. Беражыце прыбор ад вільгаці. Не пакідайце прыбор на адкрытым паветры на ноч. Пры трапленні вады ў электраінструмент павялічваецца рызыка ўдару электрычным токам. Рэгулярна і кожны раз перад выкарыстаннем правярайце кабель сілкавання на наяўнасць пашкоджанняў і прыкмет зносу. Не выкарыстоўвайце інструмент з пашкоджаным кабелем; звярніцеся ў афіцыйны цэнтр абслугоўвання.

Падчас працы па-за памяшканнем, выкарыстоўвайце толькі прызначаныя для гэтага падаўжальнікі з адпаведнай маркіроўкай. Пазбягайце трапленню кабеля пад інструмент, беражыце яго ад вільгаці, ад уздзеяння цяпла, пазбягайце кантакту са змазвальнымі матэрыяламі і лёгкаўзгаральнымі рэчывамі.

Пазбягайце выпадковага запуску інструмента: перад падлучэннем да сеткі пераканайцеся, што выключальнік знаходзіцца ў палажэнні «off» (выкл.). Перад уключэннем інструмента выміце ўсталявальныя кліны і ключы.

Не выкарыстоўвайце інструмент з няспраўным выключальнікам. Інструмент з няспраўным выключальнікам уяўляе небяспеку і павінен быць адрамантаваны.



УВАГА! Часам падчас працы электраінструментаў ўтворацца пыл, якая змяшчае хімічныя рэчывы, якія выклікаюць рак.

Да такіх хімічных рэчываў адносяцца: свінец у складзе свінцовых бяліл, кварц, які ўваходзіць у склад цэглы і цэменту, мыш'як і хром, што змяшчаюцца ў піламатэрыяле, апрацаваным хімічнымі рэагентамі, і іншыя шкодныя рэчывы. Рызыка уздзеяння дадзеных хімічных рэчываў залежыць ад чашчыні правядзення звязаных з імі работ. Каб скараціць іх шкоднае ўздзеянне, працуйце ў памяшканні, якое добра вентылюецца, і выкарыстоўвайце зацверджаныя ахоўныя прыстасаванні, напрыклад, супрацьпылавая рэспіратары, адмыслова распрацаваныя для адфільтравання мікраскапічных часціц.

BE



Пры трапленні пад інструмент старонняга прадмета, аглядзіце яго на наяўнасць пашкоджанняў і вырабіце неабходны рамонт.

Пры ўзнікненні празмернай вібрацыі заглушыце інструмент і неадкладна высвятліце чынік. Вібрацыя звычайна з'яўляецца прыкметай пашкоджання.

Перад тым, як пакінуць працоўнае месца, вырабіць рамонт, агляд ці ачыстку інструмента, адключыце яго і пачакайце да поўнага спынення.

Забараняецца здамаць або змяняць ўнутраныя дэталі.

Адмысловыя правілы па тэхніцы бяспекі

- Пераканайцеся ў тым, што ўсе прылады, якія усталяваны на пільны дыск, знаходзяцца ў ідэальным працоўным стане.

- Пераканайцеся ў тым, што пільны дыск усталяваны дакладна.

- Не выкарыстоўвайце дыскі з хуткарэзнай інструментальнай сталі, якія не адпавядаюць тэхнічным умовам, паказаным у дадзеным дапаможніку па эксплуатацыі.

- Перад распілоўкай выдаліце ўсе цвікі і іншыя металічныя аб'екты з загатоўкі.

- Ніколі не пачынайце распілоўку, пакуль пільны дыск не дасягне сваёй максімальнай хуткасці.

- Цыркулярную пілу можна рыбраць з працоўнага месца толькі пасля адключэння і прыпынку пільнага дыска.

- Ніколі не спрабуйце зменшыць хуткасць пільнага дыска шляхам аказання ціску на яго бок.

- Пераканайцеся ў тым, што дыяметр выступу ўнутранага фланца адпавядае ўнутранай адтуліне пільнага дыска.

- Выкарыстоўвайце ў працы толькі вострыя пільныя дыскі без дэфектаў. Неадкладна замяняйце пільныя дыскі з расколінамі, пагнутыя ці затупленыя пільныя дыскі.

- Напрамак стрэлкі на пільным дыску павінна заўсёды супадаць з напрамкам стрэлкі на ахоўным кажусе цыркулярнай пілы.

- Здыманне ахоўных прылад цыркулярнай пілы перад распілоўкай забаронена.

- Пры распілоўцы загатовак невялікіх памераў, якія з'яўляюцца залёгкімі для надзейнага замацавання пад уласнай вагой, неабходна выкарыстоўваць заціскныя прыстасаванні.

- Распілоўка загатовак, якія змяшчаюць азбест, забаронена.

- Ні пры якіх акалічнасцях не краінае круцельны пільны дыск рукамі.

- Не працуйце з цыркулярнай пілоў у верхнім становішчы (над галавой).

- Не блакуйце рухомы ахоўны кажух, не дазваляйце яму забівацца пілавіннем. Пры

неабходнасці, спыніце цыркулярную пілу і не аднаўляйце працу да ўхілення няспраўнасці.

- Трымайце рукі далей ад зоны распілоўкі і пільнага дыска. Трымайце другую руку на дапаможнай дзяржальні ці на корпусе матара.

- Пры распілоўцы ніколі не трымайце загатоўку ў руках ці ўпоперак нагі. Загатоўку неабходна замацаваць на ўстойлівай платформе.

- Перад кожным выкарыстаннем пераканайцеся ў тым, што ахоўнае прыстасаванне зачынена належным чынам.

У выпадку закліноўвання пільнага дыска ці пры перапыненні распілоўкі з якой-небудзь прычыны, адпусціце пусковую прыладу і ўтрымлівайце пілу нерухома ў матэрыяле, пакуль пільны дыск не спыніцца цалкам. Не спрабуйце выняць пілу з апрацоўваемай загатоўкі ці цягнуць пілу ў адваротным напрамку ў той час, калі пільны дыск рухаецца – гэта можа выклікаць зваротны ўдар.

РАСПАКАВАННЕ

Пры Распакаванні, праверце наяўнасць усіх элементаў. Глядзіце чарцяжы да дадзенай інструкцыі. Пры адсутнасці або няспраўнасці некаторых дэталю, звярніцеся ў цэнтр падтрымкі ІVT.

ПАЧАТАК ЭКСПЛУАТАЦЫІ

Значэнне напружання харчавання павінна адпавядаць паказанаму ў табліцы пашпартных дадзеных інструмента.

ПРЫЧЫНЫ І ПАПЯРЭДЖАННЕ ЗВАРОТНАГА ЎДАРУ

1. Зваротны ўдар выклікаецца заціскам, выгінаннем ці зрушэннем пільнага дыска, у выніку чаго разак раптам выходзіць з-пад кантролю, вырываецца з дэталі, якая апрацоўваецца, ў напрамку да карыстальніка.

2. Калі пільны дыск зашчыміла ці заціснула ў пралілоўцы/разрэзе, пільны дыск стопарыцца, пры гэтым прыладу хутка вядзе назад, да карыстальніка.

3. Калі пільны дыск выгінаецца ці ссоўваецца ў разрэзе, зубі задняга краю ляза могуць закапацца ў верхняй паверхні драўніны, пры гэтым лязо выходзіць з пралілоўкі і адскоквае ў кірунку да апэратара.

4. Зваротны ўдар – вынік няправільнага выкарыстання прылады і/ці невыканання правіл і умоў эксплуатацыі. Каб пазбегнуць зваротнага ўдару, неабходна выконваць наступныя меры засцярогі:

- Моцна трымаць пілу абэруч, прычым становішча рук і цела павінныя забяспечваць



Інструкцыя па эксплуатацыі

супраціўленне сіле зваротнага ўдару, сілу якога можна кантраляваць, звярнуўшыся да належных мер засцярогі.

Калі пільны дыск зашчыміла ці вам трэба, з нейкай прычыны, спыніць работу, адпусціце спускавую прыладу, не зрушваючы пры гэтым пілу ў матэрыяле, дазволішы пільному дыску цалкам спыніцца.

Не спрабуйце выцягнуць пілу з загатоўкі, якая апрацоўваецца, ці пацягнуць пілу ў зваротным напрамку у той час, калі лязо рухаецца – гэта можа прывесці да зваротнага ўдару.

Разбярыцеся ў прычынах заціскання пільнага дыска і зліквідуйце прычыну.

Распілоўка вільготнай драўніны, піламатэрыялаў з свежасечанага дрэва ці дрэва, апрацаванага пад ціскам, патрабуе адмысловай увагі дзеля пазбягання зваротнага ўдару.

Пазбягайце рэзанання цвікоў. Правярце наяўнасць і прыбярыце ўсе цвікі з драўніны перад распілоўкай.

Пры паўторным запуску пілы ў загатоўцы, якая апрацоўваецца, ўсталюйце пілу ў сярэдзіне прапілоўкі і правярце, ці не кранаюцца зуб'і матэрыялу. Калі пільны дыск заціснуты, пры паўторным запуску прылада можа пайсці назад ці вырацца з дэталі, якая апрацоўваецца.

Не дапускайце правісання/перакосу панэляў вялізных памераў. Гэта можа прывесці да зашчымлення пільнага дыска і зваротнага ўдару. Памятайце, што панэлі вялізных памераў могуць правісаць пад уласнай вагой. Усталюйце апоры пад панэльлю паабалал – побач з лініяй разрэзу і кантам панэлі з іншага боку разрэзу.

Выкарыстанне дрэнна завострых ці пашкоджаных пільных дыскаў недапушчальна.

Незавостраны ці няправільна ўсталюваны пільны дыск выконвае занадта вузкія прапілоўкі, што выклікае празмернае трэнне, зашчымленне пільнага дыска і зваротны ўдар.

Перад тым як прыступіць да прапілоўкі/разрэзу, пераканайцеся, што стопарныя дзяржальні рэгулёўкі глыбіні прапілоўкі і нахілу пільнага дыска добра зацягнутыя і спраўныя. Змена налады пільнага дыска ў момант рэзанання можа выклікаць зашчымленне і зваротны ўдар.

Выкарыстанне пілы з празмернай глыбінёй прапілоўкі павялічвае нагрузку на прыладу і схільнасць да скручвання ляза ў прапілоўцы. Гэта таксама павялічвае плошчу паверхні ляза, якая падвяргаецца зашчымленню ў выпадку зачыннення прапілоўкі.

Захоўвайце падвышаную асцярожнасць пры выкананні чатырохкутных прапіловак у сценах і іншых аб'ектах, дзе ёсць паверхні, недаступныя для агляду. Частка пільнага дыска, якая выступіла вонкі, можа пашкодзіць прадметы ці выклікаць зваротны ўдар.

УСТАЛЯВАННЕ І ПРЫГОНКА ЭЛЕМЕНТАЎ ПІЛЬНАГА ДЫСКА



УВАГА! Перад выкананнем любых работ на электраінструменце яго неабходна адключыць ад электрасеткі.

Замена пільнага дыска

1. Памясціць прыладу на край кажуха электраматора.
2. Утрымліваючы вонкавы фланец (13) з дапамогай ключа для круглых гаек з адтулінамі (18), адшрубуйце крапежны ніт пільнага дыска (12) з дапамогай гаечнага ключа (18).
3. Ссуныце рухомую ахоўную прыладу (11) такім чынам, каб яна цалкам увайшла ў ахоўны кажух (4); гэта неабходна зрабіць для таго, каб вольна выняць пільны дыск (10). **[F1]**
4. Замяніце пільны дыск (10). Пры ўсталюванні пільнага дыска (10) пераканайцеся ў тым, што дыяметр адтуліны ў дыску адпавядае дыяметру выступу ўнутранага фланца (20).
5. Варніце рухомую ахоўную прыладу (11) у зыходнае становішча: зуб'і дыска (10) павінны быць цалкам зачыненыя рухомай ахоўнай прыладай (11).
6. Усталюйце вонкавы фланец (13) (паза на вонкавым фланцы (13) павінна змяшчацца ў кірунку рэжучага дыска) і, утрымліваючы яго з дапамогай ключа для круглых гаек з адтулінамі (18), зацягніце крапежны ніт пільнага дыска (12) з дапамогай гаечнага ключа (18). **[F2]**

АДСМОКТВАННЕ ПЫЛУ



Адсмоктванне пылу дазваляе прадухіліць скупнасць вялікай колькасці пылу, у тым ліку і ў навакольным паветры, а таксама значна палягчае ўборку.

У выпадку працяглай працы з драўнінай ці пры камерцыйнай эксплуатацыі прылады на матэрыялах, якія ўтвараюць шкодную для здароўя пыл, варта падключыць прыладу да адпаведнай вонкавай прылады для адсмоктвання пылу.

УКЛЮЧЭННЕ І ВЫКЛЮЧЭННЕ [F3]

Уключэнне

Для ўключэння машыны адціснуць і трымаць пімпку блакавання (16) і націснуць на выключальнік (3).

Выключэнне

Для адключэння машыны адпусціць выключальнік «уклучана/выключана» (3).



ДАПАМОЖНІК ПА ЭКСПЛУАТАЦЫІ

- Пераканайцеся ў тым, што загатоўка надзейна заціснута. Калі ласка, пераканайцеся ў тым, што загатоўка, якая апрацоўваецца, змешчана добрай часткай уніз, паколькі такім чынам ніжні край будзе апрацоўвацца больш дакладна.
- Прылада павінна быць уключана да таго, як пільны дыск (10) кране загатоўку, якая апрацоўваецца. Не здзяйсняйце занадта вялікі ціск: рэзанне не з'яўляецца хуткім працэсам. Празмерны ціск не паскорыць працу і прывядзе да перагружкі прылады.
- Трымайце электраінструмент аберач за абедзве дзяржальні; такім чынам забяспечваецца неабходны кантроль над прыладай.
- Пазнакі для рэзу паказваюць на становішча пільнага дыска (10) пры выкананні вертыкальных разрэзаў, а таксама разрэзаў пад вуглом 45°. Мэтазгодна выканаць выпрабавальны разрэз дзеля пазбягання памылак падчас работы. [F4]

Налада глыбіні рэзу

Дадзены электраінструмент мае функцыю плыўнай змены глыбіні рэзу. Дамагчыся дакладнага рэзу можна змясціўшы прыладу такім чынам, каб пільны дыск (10) выступаў за край матэрыялу прыблізна на 3 мм.

1. Прыслабьце заціскную шрубку абмежавальніка глыбіні распілоўвання (17).
2. Усталюйце неабходную глыбіню рэзу ў адпаведнасці з адзнакай на абмежавальніку глыбіні распілоўвання (2).

Зацягніце заціскную шрубку абмежавальніка глыбіні распілоўвання (17). [F5]

Рэгуляванне вугла рэзу [F6]

Дадзены электраінструмент мае функцыю плыўнай змены вугла рэзу ў межах ад 0° да 45°.

1. Прыслабьце баранковую шрубку для рэгулявання вугла рэзу (8) і заціскную шрубку апорнай пласціны (19).
2. Усталюйце жаданы вугал рэзу ў адпаведнасці з адзнакай на абмежавальніку нахілу корпуса (6).
3. Зацягніце заціскныя шрубы (8) і заціскную шрубку на апорнай пліце/накіравальнай пліце (19).
4. Пры неабходнасці можна павялічваць ці памяншаць глыбіню рэзу, уздымаючы ці апускаючы апорную пласціну (9).

Рэзанне з дапамогай паралельнага ўпора

Паралельны ўпор (14) дазваляе ажыццяўляць рэзанне ўздоўж наяўнага прамога краю загатоўкі, а таксама рэзанне брускаў аднолькавай шырыні.

1. Прыслабьце заціскную шрубку паралельнага ўпора (7).
2. Усталюйце неабходную шырыню рэзанання ў адпаведнасці з адзнакай на шкале паралельнага ўпора (14).

Зацягніце заціскную шрубку паралельнага ўпора (7). [F7]

АБСЛУГОЎАННЕ І ЗАХАВАННЕ



АСЦЯРОЖНА! Перш чым пачаць працу з інструментам, дастаньце сеткавай штэпсель.

- Утрымоўвайце прыбор і вентыляцыйныя адтуліны (ёсць у наяўнасці) ў чысціні. Рэгулярная ачыстка і абслугоўванне гарантуюць высокую эфектыўнасць і працяглую эксплуатацыю інструмента.
- У выпадку выхаду з ладу, нягледзячы на здзяйснення ўмовы вытворчасці і выпрабаванняў, рамонт павінен выконвацца ў афіцыйным сервісным цэнтры IVT.
- Усе гайкі, ніты і шрубы павінны быць шчыльна зацягнуты.
- Замяніце пашкоджаныя ці зношаныя дэталі.
- Захоўваеце інструмент у сухім недаступным для дзяцей месцы, на бяспечнай адлегласці ад лёгкаўзгаральных матэрыялаў.
- Пазбягайце траплення вады на інструмент!

АХОВА НАВАКОЛЬНАГА АСЯРОДДЗЯ



Другаснае выкарыстанне сыравіны замест выкідвання яго ў смецце!

Інструмент, дадатковыя прылады і ўпакоўка падлягаюць экалагічна чыстай утылізацыі. Пластыкавыя элементы адпраўляюцца на класіфікаваную перапрацоўку. Даная кіраўніцтва па эксплуатацыі надрукавана на другаснай паперы, якая не змяшчае хлор.



УВАГА! ВЫКОНВАЦЬ РАМОНТ ВЫРАБА САМАСТОЙНА І СПРАБАВАЦЬ СХАВАЦЬ ЯГО СЛЯДЫ Абсалютна НЕДАПУШЧАЛЬНА! Толькі аўтарызаваны IVT Сэрвіс-Цэнтр мае права на правядзенне рамонту і пашыранага тэхнічнага абслугоўвання. Унясенне зменаў ва ўнутраную структуру выраба забаронена! ТАКІЯ ДЗЕЯННІ НЕ ТОЛЬКІ З'ЯЎЛЯЮЦА ПАДСТАВАЙ У АДМОВЕ АД ГАРАНТЫЙНЫХ АБАВЯЗКАЎ, АЛЕ І МОГУЦЬ СТАЦЬ ПРЫЧЫНАЙ ПАШКОДЖАННЯ І СУР'ЁЗНЫХ КАЛЕЦТВАЎ.

ХАРАКТЕРИСТИКА ІНСТРУМЕНТУ

Модель	CS-185-RC
Напруга ~ Частота [В ~ Гц]	230 ~ 50
Номинальна потужність [Вт]	1400
Частота обертання на холостому ході [об./хв.]	5500
Діаметр пиляльного диска Ø [мм]	185
Діаметр отвору пиляльного диска Ø [мм]	25.4
Товщина пиляльного диска [мм]	1.2
Макс. глибина розрізу при 45° [мм]	62
Макс. глибина розрізу при 90° [мм]	45
Вага [кг]	4.5
Клас безпеки	II

ПЕРЕЛІК ЗАПЧАСТИН

1. Отвір пиловідводу
2. Обмежувач глибини розпилювання
3. Вимикач «увімкнено/вимкнено»
4. Захисний кожух пиляльного диска
5. Додаткова рукоятка
6. Обмежувач нахилу корпусу
7. Затискний гвинт паралельного упору
8. Барашковий гвинт для регулювання кута
9. Опорна пластина
10. Пиляльний диск
11. Рухома захисна огорожа
12. Кріпильний болт пиляльного диска
13. Зовнішній фланець
14. Паралельний упор
15. Вентиляційні отвори
16. Кнопка блокування
17. Затискний гвинт обмежувача глибини розпилювання
18. Гайковий ключ
19. Затискний гвинт опорної пластини
20. Внутрішній фланець

ВМІСТ КОРОБКИ

Інструкція для експлуатації (1 шт.), паралельний упор (1 шт.), гайковий ключ (1 шт.), додаткова ручка (1 шт.), набір карбонових щіток (1 шт.).

ПРИЗНАЧЕННЯ

Цю модель циркулярної пили можна використовувати для розпилювання дерев'яних заготовок. Інструмент підходить тільки для правостороннього використання.

ТЕХНІКА БЕЗПЕКИ ПРИ ЕКСПЛУАТАЦІЇ

Загальні правила безпеки

Наступні інструкції з техніки безпеки допоможуть користувачеві правильно використовувати пристрій і забезпечити власну безпеку. Тому слід прочитати їх уважно. У разі передачі інструменту третій особі слід передати і ці інструкції з техніки безпеки.

Збережіть цю інструкцію та іншу літературу, що входить в комплект поставки.

Дотримуйтеся техніки безпеки та застережень на інструмент.

Перед початком роботи ознайомтеся з органами управління і правилами експлуатації інструменту, дізнайтеся, як зупинити інструмент в екстремому випадку.

Дотримання цим простим інструкціям допоможе підтримати ваш інструмент у справному стані.

Перед використанням інструмент необхідно правильно зібрати.

Використовуйте інструмент тільки за призначенням. Вивчіть попереджувальні написи на приладі, дотримуйтеся вказівок щодо використання захисних пристосувань. Запобігти нещасні випадки допоможуть уважність, розумний підхід до роботи і відповідна підготовка осіб, задіяних в експлуатації, транспортуванні, обслуговуванні та зберіганні інструменту.

Не залишайте інструмент без нагляду.

Не допускайте використання інструменту дітьми. Не дозволяйте дітям гратися з інструментом.

Не допускайте знаходження поблизу дітей і тварин. Сторонні повинні знаходитися на безпечній відстані від працюючого інструменту. Припиніть роботу, якщо поблизу знаходяться сторонні люди особливо діти або тварини.

При роботі з інструментом користувач несе



відповідальність за третіх осіб.

Особи, які не ознайомлені з інструкціями з експлуатації, діти, неповнолітні, які не досягли віку, який дозволяє використовувати інструмент, а також особи, що перебувають у стані алкогольного або наркотичного сп'яніння, або під впливом медичних препаратів, не допускаються до роботи з інструментом. Вік оператора встановлюється у місцевих нормативних актах.



УВАГА! Алкоголь, деякі лікарські препарати та наркотичні речовини, а також стан нездоров'я, жар і стомлення знижують швидкість реакції. Не використовуйте інструменти у перерахованих вище випадках.

Переконайтеся, що всі захисні пристосування (якщо є в наявності) встановлені і придатні до експлуатації. Не використовуйте інструмент з пошкодженими захисними пристосуваннями (якщо є в наявності), або якщо вони пошкоджені.

Огляньте інструмент на наявність незакріплених деталей (гайок, болтів, гвинтів і т.д.) або пошкоджень. Щоб забезпечити безпечну роботу інструменту, періодично перевіряйте, чи добре затягнуті болти і гвинти. При необхідності перед використанням інструменту зробіть їх ремонт або заміну. В разі використання пошкодженого інструменту оператору або стороннім особам можуть бути нанесені серйозні травми.

Для роботи використовуйте відповідний спецодяг. Просторий одяг, прикраси можуть бути затягнуті, рухомими частинами. Використовуйте відповідний спецодяг. Захистіть ноги та ступні від розлітаючогося сміття. Не працюйте босоніж або у відкритих сандалях. Зберіть довге волосся ззаду. Утримуйте ручки в чистоті і сухості.

Використовуйте відповідні захисні пристрої. Використовуйте захисні окуляри і рукавички. При роботі з порохами або при викидах вихлипних газів використовуйте протипиловий респіратор. При необхідності одягніть неслизьке взуття, каску і вушні вклади. Якщо рівень шуму перевищує 85 дБ (А), обов'язково використовуйте захисні навушники.



УВАГА! Використовуйте засоби індивідуального захисту! Захисні пристосування та ЗІЗ забезпечують захист вашого здоров'я і здоров'я знаходящихся поблизу людей, а також гарантують безперебійну роботу приладу.

Не запускайте інструмент, якщо він перевернут або знаходиться в не робочому стані.

Під час роботи зберігайте стійке положення. Постійно зберігайте рівновагу.

Перед використанням приборить з робочого майданчика всі сторонні предмети, уникайте потрапляння під інструменту сторонніх предметів під час роботи. Дотримуйтесь чистоти на робочій ділянці. На захарашених ділянках спостерігається високий рівень травматизму.

Не перевантажуйте інструмент.

Використовуйте інструмент тільки при денному або гарному штучному освітленні. Не використовуйте інструмент в умовах поганої видимості.

Не впускайте прилад, не допускайте зіткнення інструменту з будь-якими перешкодами.

Будьте уважні. Слідкуйте за роботою. Абстрагувавшись, можна втратити керування. Підходьте до роботи розумно.

Правила електробезпеки

З метою запобігання удару електричним струмом, заподіяння особистої шкоди або спалаху при використанні електроінструментів необхідно дотримуватися наступних інструкцій з техніки безпеки. Перед використанням інструменту прочитайте і ретельно виконуйте дані інструкції.

Щоб підвищити рівень безпеки, рекомендовано використовувати пристрій диференціального захисту (RCD), розрахований на струм відключення не більше ніж 30 мА. Перевіряйте RCD при кожному використанні. Зверніться до кваліфікованого електрика.



УВАГА! Використання RCD або іншого переривника не звільняє оператора газонокосарки від обов'язкового ознайомлення з правилами техніки безпеки і прийомами безпечної роботи, зазначеними в цій інструкції.

UK

Напруга мережі повинна відповідати значенню, зазначеному на табличці або ярлику. Не використовуйте інші джерела живлення.

Перед підключенням інструменту до мережі переконайтеся, що розетка відповідає даним, зазначеним на ярлику.

Уникайте контакту з поверхнями (труб, радіаторами, батареями та рефрижераторами). При заземленні через тіло ризик удару електричним струмом підвищується.



ОБЕРЕЖНО! Щоб уникнути опіку або ураження електричним струмом, не торкайтеся електропровідних деталей.

Не тягніть за кабель при переміщенні інструменту. Використовуйте шнур з обережністю. Бережіть шнур від впливу тепла, уникайте його контакту з мастильними матеріалами, а також гострими предметами чи тими, що рухаються.

Будьте обережні з шнуром.

Не використовуйте електроінструменти поблизу легкозаймистих рідин і горючих газів.

Перед тим, як переносити інструмент на інше місце, відключайте його від мережі.



ОБЕРЕЖНО! Інструмент необхідно спочатку відключити, а потім від'єднати від розетки або подовжувача.

Не затискайте подовжувач під час роботи інструменту. Не втрачайте кабель з уваги.

Не підключайте подовжувач безпосередньо до інструменту, самотійно. Зверніться до найближчого офіційний центр обслуговування.

При пошкодженні дроту живлення, щоб уникнути небезпеки, його повинен замінити виробник або його агент, або аналогічно кваліфікована особа.

Негайно витягти вилку з розетки, якщо кабель пошкоджений або розрізаний.



УВАГА! НЕБЕЗПЕКА УРАЖЕННЯ ЕЛЕКТРИЧНИМ СТРУМОМ!

Слідкуйте за виробничим середовищем. Не використовуйте електроінструменти під час дощу. Не використовуйте електроінструменти у вологих і сирих приміщеннях. Тримайте робочу ділянку в сухості, забезпечте гарне

освітлення. Бережіть інструмент від вологи. Не залишайте прилад на відкритому повітрі на ніч. При попаданні води в електроінструмент підвищується ризик удару електричним струмом. Не пережимайте удлинитель во время работы инструмента. Не теряйте кабель из виду.

Регулярно і кожного разу перед використанням перевіряйте кабель живлення на наявність пошкоджень і ознак зносу. Не використовуйте прилад з пошкодженим кабелем; зверніться до офіційного сервісного центру.

При роботі поза приміщення використовуйте тільки призначені для цього подовжувачі з відповідним маркуванням. Уникайте потрапляння кабелю під інструмент, оберігайте його від вологи, від впливу тепла, уникайте контакту зі мастильними матеріалами та легкозаймистими речовинами.

Уникайте випадкового запуску інструменту: перед підключенням до мережі переконайтеся, що вимикач знаходиться в положенні «off» (вкл.)

Перед включенням інструменту витягніть настановні клини та ключі.

Не використовуйте інструмент з несправним вимикачем. Інструмент з пошкодженим вимикачем становить небезпеку і вимагає ремонту.



УВАГА! Інколи під час роботи електроінструментів утворюється пил, що містить хімічні речовини, що викликають рак.

До таких хімічних речовин відносяться: свинець у складі свинцевого білила, кварц, що входить до складу цегли і цементу, миш'як і хром, що містяться в пиломатеріалі, обробленому хімічними реагентами, та інші шкідливі речовини. Ризик впливу даних хімічних речовин залежить від частоти проведення пов'язаних з ними робіт. **Щоб скоротити їх шкідливий вплив, працюйте в добре провітрюваному приміщенні і використовуйте затверджені захисні пристосування, наприклад, протипилові респіратори, спеціально призначені для фільтрування мікроскопічних часток.**

При попаданні під інструмент стороннього предмета, огляньте його на наявність пошкоджень і зробіть необхідний ремонт.

При виникненні надмірної вібрації заглушіть інструмент і негайно з'ясуйте причину. Вібрація зазвичай є ознакою пошкодження.

Перед тим, як залишити робоче місце, провести ремонт, огляд або очищення інструменту, вимкніть його і почекайте до повної зупинки.



Забороняється знімати або змінювати внутрішні деталі інструменту.

Особливі правила з техніки безпеки

- Переконайтеся, що всі пристрої, встановлені на пиляльній диск, знаходяться в ідеальному робочому стані.
- Переконайтеся в тому, що пиляльний диск встановлений правильно.
- Не використовуйте диски зі швидкорізальної інструментальної сталі, які не відповідають технічним умовам, зазначеним у документації до виробу.
- Перед розпилюванням видаліть всі цвяхи та інші металеві предмети із заготовки.
- Ніколи не починайте розпилювання, поки пиляльний диск не досягне своєї максимальної швидкості.
- Циркулярну пилу можна забрати з робочого місця тільки після відключення і зупинки пиляльного диска.
- Ніколи не намагайтеся знизити швидкість пиляльного диска шляхом тиску на його бік.
- Переконайтеся в тому, що діаметр виступу внутрішнього фланця відповідає внутрішньому отвору пиляльного диска.
- Використовуйте в роботі тільки гострі пиляльні диски без дефектів. негайно замініть пиляльні диски з тріщинами, погнуті або затуплені пиляльні диски.
- Напрямок стрілки на пиляльному диску повинен завжди співпадати з напрямком стрілки на захисному кожусі циркулярної пили.
- Зняття запобіжних пристроїв циркулярної пили перед розпилюванням заборонено.
- При розпилюванні заготовок невеликих розмірів, які є занадто легкими для надійного закріплення під власною вагою, необхідно використовувати затискні пристрої.
- Розпилювання азбестовмісних заготовок заборонено.
- Ні за яких обставин не торкайтеся руками пиляльного диска, який обертається.
- Не працюйте з циркулярною пилою у верхньому положенні (над головою).
- Не блокуйте рухомий захисний кожух, не дозволяйте йому забиватися тирсою. При необхідності, зупиніть циркулярну пилу і не відновлюйте роботу до усунення несправності.
- Тримайте руки подалі від зони розпилювання і пиляльного диска. Тримайте другу руку на допоміжній рукоятці або корпусі мотора.
- При розпилюванні ніколи не тримайте заготовку в руках або поперек ноги. Заготовку необхідно закріпити на стійкій платформі.

· Перед кожним використанням переконайтеся в тому, що захисний пристрій закритий належним чином.

У разі заклинювання пиляльного диска або при перериванні розпилювання з якої-небудь причини, відпустіть пусковий пристрій і утримуйте пилу нерухою в матеріалі до тих пір, поки пиляльний диск не зупиниться повністю. Не намагайтеся виїняти пилу з оброблюваної заготовки або тягнути пилу в зворотному напрямку у той час, як пиляльний диск рухається – це може викликати зворотний удар.

РОЗПАКУВАННЯ

При розпакуванні перевірте наявність всіх елементів. Див креслення до даного керівництва. При відсутності або несправності деяких деталей зверніться до центру підтримки IVT.

ПОЧАТОК ЕКСПЛУАТАЦІЇ

Значення напруги живлення повинно відповідати зазначеному в таблиці паспортних даних інструменту.

ПРИЧИНИ ТА ПОПЕРЕДЖЕННЯ ЗВОРОТНОГО УДАРУ

1. Зворотний удар викликається затиском, вигинанням або зміщенням пиляльного диска, в результаті чого різак раптово виходить з-під контролю, виривається з оброблюваною деталі у напрямку до користувача.
2. Якщо пиляльний диск защемило або затиснуло в пропили/розрізі, пиляльний диск стопориться, при цьому інструмент швидко веде назад, до користувача.
3. Якщо пиляльний диск згинається або зміщується в розрізі, зубці заднього краю леза можуть заритися в верхній поверхні деревини, при цьому лезо виходить з розрізу і відскакує у напрямку до оператора.
4. Зворотний удар – результат неправильного використання інструменту та/або недотримання правил і умов експлуатації. Щоб уникнути зворотного удару, необхідно дотримуватися таких запобіжних заходів:
 - Міцно тримайте пилу обома руками, причому положення рук і тіла повинно забезпечувати опір силі зворотного удару, силу якого можна контролювати, давшись до належних запобіжних заходів.
 - Якщо пиляльний диск защемило або вам потрібно з якоїсь причини зупинити роботу, відпустіть пусковий пристрій, не зрушуючи при цьому пилу в матеріалі, дозволивши пиляльному диску повністю зупинитися.
 - Не намагайтеся витягнути пилу з оброблюваної

заготовки або потягнути пилу в зворотному напрямку у той час, як лезо рухається, – це може призвести до зворотного удару.

- З'ясуйте причину затиснення пиляльного диска і усуньте причину.

- Розпилювання вологої деревини, пиломатеріалів зі свіжозрубаного дерева або підданого обробці під тиском вимагає особливої уваги, щоб уникнути зворотного удару.

- Уникайте різання цвяхів. Перевірте наявність і приберіть всі цвяхи з деревини перед розпилюванням.

- При повторному запуску встановіть пилу в оброблюваній заготовці в середині пропили і перевірте, чи не торкаються зубці матеріалу. Якщо пиляльний диск затиснутий, то при повторному запуску інструмент може піти назад або вирватися з оброблюваною деталлю.

- Не допускайте провисання / перекосу панелей великого розміру. Це може призвести до затиснення пиляльного диска і зворотного удару. Пам'ятайте, що панелі великих розмірів можуть провисати під власною вагою. Встановіть опори під панеллю по обидва боки – поруч з лінією розрізу і кромкою панелі з іншого боку розрізу.

- Використання погано заточених або пошкоджених пиляльних дисків є неприпустимим.

- Незагострений або неправильно встановлений пиляльний диск виконує дуже вузький пропили, що викликає надмірне тертя, защемлення пиляльного диска і зворотний удар.

- Перш ніж приступити до пропили/розрізу, переконайтеся, що стопорні рукоятки регулювання глибини пропили і нахилу пиляльного диска добре затягнуті і справні. Зміна налаштування пиляльного диска в момент різання може викликати защемлення і зворотний удар.

- Використання пили з надмірною глибиною пропили збільшує навантаження на інструмент і схильність до скручування леза в пропили. Це також збільшує площу поверхні леза, що піддається затисненню в разі закриття пропили.

- Дотримуйтесь підвищеної обережності при виконанні чотирикутних пропилів в стінах та інших об'єктах, де є поверхні, недоступні для огляду. Виступаюча назовні частина пиляльного диска може пошкодити предмети чи викликати зворотний удар.

УСТАНОВКА І ПІДГОНКА ЕЛЕМЕНТІВ ПИЛЯЛЬНОГО ДИСКА



УВАГА! Перед виконанням будь-яких робіт на електроінструменті його необхідно відключити від електромережі

Заміна пиляльного диска

1. Помістити інструмент на край кожуха електромотора.

2. Утримуючи зовнішній фланець (13) за допомогою ключа для круглих гайок з отворами (18), відвинтіть кріпильний болт пиляльного диска (12) за допомогою гайкового ключа (18).

3. Зрушити рухомий захисний пристрій (11) таким чином, щоб він повністю увійшов в захисний кожух (4); це необхідно зробити для того, щоб вільно виїняти пиляльний диск (10). **[F1]**

4. Замінити пиляльний диск (10). При установці пиляльного диска (10) переконайтеся в тому, що діаметр отвору в диску відповідає діаметру виступу внутрішнього фланця (10).

5. Поверніть рухомий захисний пристрій (11) у вихідне положення: зубці диска (10) повинні бути повністю закриті рухомих захисним пристроєм (11).

6. Встановити зовнішній фланець (13) (паз на зовнішньому фланці (13) повинен розміщуватися в напрямку ріжучого диска) і, утримуючи його за допомогою ключа для круглих гайок з отворами (18), затягнути кріпильний болт пиляльного диска (12) за допомогою гайкового ключа (18). **[F2]**

ВІДСМОКТУВАННЯ ПИЛУ



Відсмоктування пилу дозволяє запобігти скупченню великої кількості пилу, в тому числі й у навколишньому повітрі, а також значно полегшує прибирання.

У разі тривалої роботи з деревиною або при комерційній експлуатації інструменту на матеріалах, що утворюють шкідливий для здоров'я пил, слід підключити інструмент до відповідного зовнішнього пристрою для відсмоктування пилу.

УВІМКНЕННЯ І ВИМКНЕННЯ [F3]

Увімкнення

Для увімкнення машини віджати і тримати кнопку блокування (16) і натиснути на вимикач (3).

Вимкнення

Для вимкнення машини відпустити вимикач «увімкнено/вимкнено» (3).

ІНСТРУКЦІЇ З ЕКСПЛУАТАЦІЇ

- Переконайтеся в тому, що заготовка надійно затиснута. Будь ласка, переконайтеся в тому, що оброблювана заготовка розташована лицьовою частиною вниз, оскільки таким чином нижній край буде оброблятися більш точно.



- Інструмент повинен бути включений до того, як пиляльний диск (10) торкнеться оброблюваної заготовки. Не натискайте дуже сильно: різання не є швидким процесом. Надмірний тиск не прискорить роботу і призведе до перевантаження інструмента.
- Тримайте електроінструмент обома руками за обидві ручки; таким чином, забезпечується необхідний контроль над інструментом.
- Позначки для різання вказують на положення пиляльного диска (10) при виконанні вертикальних розрізів, а також розрізів під кутом 45°. Доцільно виконати пробний розріз щоб уникнути помилок в процесі роботи. [F4]

Налаштування глибини різання

Цей електроінструмент має функцію плавної зміни глибини різання. Домогтись точного різання можна, помістивши інструмент таким чином, щоб пиляльний диск (10) виступав за край матеріалу приблизно на 3 мм.

1. Послабити затискний гвинт обмежувача глибини розпилу (17).
2. Встановити необхідну глибину різання відповідно до позначки на обмежувачі глибини розпилу (2).

Затягнути затискний гвинт обмежувача глибини розпилу (17). [F5]

Регулювання кута різання [F6]

Цей електроінструмент має функцію плавної зміни кута різання в межах від 0° до 45°.

1. Послабити барашковий гвинт для регулювання кута різання (8) і затискний гвинт опорної пластини (19).
2. Установити бажаний кут різання відповідно до позначки на обмежувачі нахилу корпусу (6).
3. Затягнути затискні гвинти (8) і затискний гвинт на опорній плиті/направляючій плиті (19).
4. При необхідності можна збільшувати або зменшувати глибину розрізу, піднімаючи або опускаючи опорну пластину (9).

Різання за допомогою паралельного упору

Паралельний упор (14) дозволяє здійснювати різання вздовж наявного прямого краю заготовки, а також різку брусків однакової ширини.

1. Послабити затискний гвинт паралельного упору (7).
2. Встановити необхідну ширину різання відповідно до позначки на шкалі паралельного упору (14).

Затягнути затискний гвинт паралельного упору (7). [F7]

ОБСЛУЖИВАННЯ И ХРАНЕНИЕ



УВАГА! Перш ніж почати роботу з інструментом, витягніть мережний штепсель.

- Тримайте інструмент і вентиляційні отвори (якщо є в наявності) в чистоті. Регулярне чищення та обслуговування гарантують високу ефективність і тривалу експлуатацію інструменту.
- У разі виходу з ладу, не дивлячись на зроблені помилки умови виробництва та випробувань, ремонт повинен виконуватися в офіційному сервісному центрі IVT.
- Всі гайки, болти і гвинти повинні бути щільно затягнуті.
- Замініть пошкоджені або зношені деталі.
- Використовуйте тільки оригінальні запчастини. Деталі, виготовлені стороннім виробником, прилягають нещільно і підвищують ризик виникнення травм.
- Зберігайте інструмент у сухому недоступному для дітей місці, на безпечній відстані від легкозаймистих матеріалів.
- Запобігайте попаданню води на інструмент!

ЗАХИСТ НАВКОЛИШНЬОГО СЕРЕДОВИЩА



Вторинне використання сировини замість викидання його на сміття!

Інструмент, додаткові речі та упаковка підлягають екологічно чистої утилізації. Пластикові елементи відправляються на класифіковану переробку. Цей посібник з експлуатації надруковано на вторинному папері, який не містить хлор.



УВАГА! ЗДІЙСНЮВАТИ РЕМОНТ ВИРОБУ САМОСТІЙНО І НАМАГАТИСЯ ПРИХОВАТИ ЙОГО СЛІДИ АБСОЛЮТНО НЕПРИПУСТИМО! Тільки авторизований IVT Сервіс-Центр має право на здійснення ремонту і розширеного технічного обслуговування. Внесення змін у внутрішню будову виробу заборонено! ТАКІ ДІЇ НЕ ТІЛЬКИ Є ПІДСТАВОЮ ДЛЯ ВІДМОВИ ВІД ЗОБОВ'ЯЗАНЬ, АЛЕ Й МОЖУТЬ ПРИЗВЕСТИ ДО УШКОДЖЕНЬ І СЕРЬОЗНИХ КАЛІЦТВ.

SPECIFICHE TECNICHE

Modello	CS-185-RC
Voltaggio ~ Frequenza [V ~ Hz]	230 ~ 50
Potenza nominale [W]	1400
Velocità a vuoto [RPM]	5500
Diametro esterno Ø della lama [mm]	185
Diametro interno Ø della lama [mm]	25.4
Spessore della lama [mm]	1.2
Profondità massima di taglio a 45° [mm]	62
Profondità massima di taglio a 90° [mm]	45
Peso [Kg]	4.5
Classe di sicurezza	II

COMPONENTI

1. Connessione estrazione polvere
2. Indicatore profondità di taglio
3. Interruttore accensione/spegnimento
4. Protezione della lama
5. Maniglia ausiliaria
6. Indicatore inclinazione di taglio
7. Vite di fissaggio della guida parallela
8. Vite di regolazione inclinazione di taglio
9. Piastra di appoggio
10. Lama
11. Protezione mobile
12. Bullone fissaggio lama
13. Flangia esterna
14. Guida parallela
15. Fessure di ventilazione
16. Pulsante di sblocco
17. Vite di regolazione della profondità di taglio
18. Chiave
19. Vite di regolazione della piastra d'appoggio
20. Flangia interna

CONTENUTO DELLA CONFEZIONE

Manuale d'istruzioni (1 pz), guida parallela (1 pz), chiave (1 pz), maniglia ausiliaria (1 pz), set di spazzole di carbone (1 pz).

UTILIZZO

Questo modello di sega circolare è destinato per la lavorazione (taglio) del legno. La macchina può essere utilizzata solo con la mano destra.

NORME DI SICUREZZA PER L'USO

Regole generali di sicurezza

Le seguenti istruzioni di sicurezza servono per il corretto utilizzo dello strumento e per la tutela della propria sicurezza, pertanto si prega di leggere molto attentamente. Quando si passa questo strumento ad una terza persona, anche queste istruzioni devono essere consegnate. Conservare questo manuale di istruzioni e tutta la documentazione in dotazione con lo strumento per farvi riferimento in futuro, in caso di bisogno.

Integrare le seguenti norme di sicurezza con le indicazioni riportate sul prodotto.

Prendere confidenza con tutti i pulsanti e i controlli e assicurarsi di conoscere il corretto utilizzo dello strumento prima di iniziare a utilizzarlo, ma soprattutto assicurarsi di sapere come interromperne l'uso in caso di emergenza.

Seguire queste semplici istruzioni contribuirà inoltre a mantenere lo strumento in buone condizioni di lavoro.

- Lo strumento deve essere montato correttamente prima dell'uso.
- Usare lo strumento solamente per gli scopi per cui è stato progettato.
- In aggiunta al prodotto sono state progettate anche delle etichette di sicurezza che devono essere prese in considerazione assieme con le indicazioni in merito all'equipaggiamento di sicurezza che deve essere adottato. La prevenzione di incidenti dipende dalla consapevolezza, dal buon senso e dalla formazione adeguata di tutti i soggetti coinvolti nell'utilizzo, nel trasporto, nella manutenzione e stoccaggio dello strumento.
- Non lasciare mai lo strumento incustodito.
- Non permettere ai bambini di utilizzare lo strumento. I bambini devono essere tenuti sempre sotto controllo per impedire che giochino con lo strumento.
- Tenere i bambini e gli animali domestici lontano. I terzi devono essere mantenuti a un'opportuna



distanza di sicurezza quando lo strumento è in uso. Interromperne l'utilizzo se vi sono nei paraggi altre persone, specialmente bambini o animali domestici.

- L'utente è responsabile per i terzi, mentre lavora con lo strumento.
- Le persone che non conoscono le istruzioni per l'uso, i bambini, i minori che non hanno ancora raggiunto l'età minima per l'utilizzo di questo strumento e le persone sotto l'influenza di alcool, droghe o farmaci non sono autorizzati ad utilizzare lo strumento. Alcune normative locali possono stabilire l'età minima dell'utilizzatore.



ATTENZIONE! Il consumo di alcool, farmaci e droghe, oltre a stati di malattia, febbre e stanchezza possono influenzare la capacità di reagire. Non usare lo strumento in una o più di queste condizioni.

- Assicurarsi che tutti i dispositivi di protezione (se presenti) siano montati correttamente e che siano in buone condizioni.
- Non usare mai lo strumento con i dispositivi di sicurezza o eventuali protezioni (se presenti) difettosi o senza dispositivi di sicurezza correttamente montati.
- Ispezionare bene lo strumento per cercare parti eventualmente allentate (per esempio: dadi, bulloni, viti, etc) e eventuali danni. Controllare a intervalli frequenti, che viti e bulloni siano adeguatamente serrati e che le attrezzature siano in buone condizioni di lavoro. Ripararle o sostituirle, se necessario, prima di utilizzare lo strumento. Gravi lesioni all'operatore e ai presenti possono verificarsi se vi è un danno allo strumento.
- Durante il funzionamento dello strumento, vestirsi adeguatamente. Non indossare abiti larghi o gioielli che potrebbero impigliarsi nello strumento. Indossare indumenti da lavoro adatti. Si raccomanda che le gambe e i piedi siano ben coperti, al riparo da eventuali schegge durante il lavoro. Non utilizzare lo strumento se si è a piedi nudi o con sandali aperti. I capelli lunghi devono essere raccolti dietro la nuca.
- Mantenere tutte le impugnature e i manici asciutti, puliti e privi di olio o grasso.
- Usare dispositivi di protezione. Usare occhiali di protezione e guanti di sicurezza. Indossare anche una mascherina antipolvere durante le operazioni polverulente e se sono presenti gas di scarico. Quando è necessario, indossare anche scarpe robuste e antiscivolo, casco e tappi per le orecchie. Se il livello di rumore supera 85 dB (A), è obbligatoria una protezione acustica.



ATTENZIONE! Utilizzare dispositivi di protezione personale! I dispositivi di sicurezza e le attrezzature di protezione personale proteggono la propria salute e la salute degli altri e garantiscono un funzionamento senza problemi dello strumento.

- Non iniziare ad utilizzare lo strumento se questo è capovolto o non è nella corretta posizione di lavoro.
- Accertarsi di avere una corretta posizione mentre si opera con lo strumento. Mantenere una posizione salda e un buon equilibrio in ogni momento.
- Tenere pulita l'area di lavoro. Prima dell'uso dello strumento, tutti gli eventuali ostacoli devono essere rimossi dalla zona di lavoro; prestare attenzione anche a eventuali corpi estranei durante il lavoro.
- Non forzare lo strumento.
- Lavorare solo alla luce del giorno o comunque in condizioni di sufficiente illuminazione artificiale. Non utilizzare mai lo strumento senza una buona visibilità.
- Fare attenzione a non fare cadere lo strumento o ad urtarlo contro ostacoli.

ATTENZIONE! Mantenere sempre un'attenzione costante. Prestare attenzione a quello che si sta facendo. La distrazione può causare la perdita di controllo. Utilizzare il buon senso.

Regole di sicurezza elettriche

ATTENZIONE! Quando si usano utensili elettrici, si devono osservare le seguenti istruzioni di sicurezza per evitare il rischio di scosse elettriche, lesioni personali e incendio. Leggere e osservare attentamente tali istruzioni prima di utilizzare lo strumento.

- Per una maggiore sicurezza, si raccomanda di usare un dispositivo di protezione dalla corrente residua (RCD) con una corrente di apertura non superiore ai 30 mA. Controllare sempre tale dispositivo ogni volta che si usa la macchina. Consultare un elettricista affidabile.



ATTENZIONE! L'uso di un RCD o di un salvavita nel cablaggio non dispensa l'utente dal considerare le seguenti istruzioni di sicurezza e seguire indicazioni di lavoro sicure illustrate in questo manuale.

- Il valore di tensione della corrente deve corrispondere a quello descritto sulla targhetta dei dati tecnici. Non

usare altri voltaggi. La connessione del dispositivo a qualsiasi altra fonte di energia può causare danni.

- Prima di inserire la spina nella presa della corrente, assicurarsi che il voltaggio sia corretto e corrisponda a quello riportato sulla targhetta dell'apparecchio.
- Evitare il contatto del corpo con eventuali oggetti a terra, come tubi, radiatori, fornelli e frigoriferi. C'è un aumento del rischio di scosse elettriche se il corpo è messo a terra.



ATTENZIONE! Toccare le parti elettrificate può causare morte per scosse elettriche o bruciate.

- Non spostare mai l'apparecchio tirandolo per il cavo.
- Non tirare il cavo elettrico. Tenerlo lontano da fonti di calore, olio, spigoli vivi o parti in movimento.
- Guidare i cavi elettrici sempre in modo sicuro.
- Non utilizzare utensili elettrici vicino a liquidi o a gas infiammabili.
- Scollegare sempre l'apparecchio dalla rete elettrica prima di trasportarlo in altri luoghi.



ATTENZIONE! L'apparecchio deve sempre essere staccato dalla corrente prima di scollegare qualsiasi connettore ad innesto o prolungha.

- Non passare l'apparecchio sopra al cavo elettrico mentre lo strumento è in funzione. Assicurarsi di sapere sempre dove si trova il cavo.
- Non collegare da sé un cavo di alimentazione direttamente al dispositivo. Portarlo presso il punto di assistenza più vicino.
- Per evitare qualsiasi rischio, in caso di danneggiamento, il cavo di alimentazione dovrebbe essere sostituito dal produttore o da un suo agente, o comunque da personale qualificato.
- Staccare immediatamente la spina dalla presa di corrente se il cavo è danneggiato o tagliato.



ATTENZIONE! PERICOLO DI SCOSSA ELETTRICA!

Esaminare sempre l'ambiente di lavoro. Non esporre i dispositivi elettrici alla pioggia. Non utilizzare gli elettrodomestici in luoghi umidi o bagnati. Mantenere l'area di lavoro ben illuminata ed asciutta. Evitare che il dispositivo si bagni o venga esposto all'umidità. Non lasciarlo fuori la notte. Se entra acqua in un apparecchio elettrico vi è un aumento del rischio di scosse elettriche.

- Il cavo di alimentazione deve essere controllato periodicamente e, prima di ogni utilizzo, assicurarsi che non sia danneggiato o usurato. Se il cavo non è in buone condizioni, non utilizzare l'apparecchio; portarlo in un centro di assistenza autorizzato.

- Quando lo strumento viene impiegato all'aperto, utilizzare esclusivamente un cavo di prolunga per esterni, marchiato per questo uso specifico. Tenerlo lontano dalla zona di lavoro, da umidità, superfici bagnate o oleose e lontano da fonti di calore e combustibili.

- Evitare qualsiasi avviamento involontario del dispositivo: accertarsi che l'interruttore di accensione sia spento prima di collegare lo strumento alla corrente.

- Rimuovere eventuali chiavi di regolazione prima di accendere lo strumento.

- Non utilizzare lo strumento se l'interruttore di accensione / spegnimento è difettoso o non funziona correttamente. Qualsiasi strumento che non può essere controllato tramite il suo interruttore è pericoloso e deve essere riparato.



ATTENZIONE! Durante l'utilizzo dello strumento, potrebbero essere prodotte alcune polveri contenenti sostanze chimiche che possono causare il cancro, difetti genetici e altri problemi riproduttivi.

Alcune di queste sostanze chimiche sono: vernici a base di piombo, silice cristallina di mattoni e cemento e altri prodotti per muratura, arsenico e cromo derivanti da legname trattato chimicamente e altri prodotti pericolosi. Se tali polveri sono presenti, il rischio varia in base alla lunghezza dell'esposizione e al tipo di lavoro.

Per ridurre l'esposizione a tali sostanze chimiche, ogni volta che si compiono operazioni polverulente, lavorare in una zona ben ventilata con dispositivi di sicurezza approvati, come le maschere anti-polvere, che sono state appositamente progettate per filtrare anche le particelle microscopiche.

- Se con lo strumento si colpisce un corpo estraneo, esaminare il dispositivo per individuare eventuali danni e procedere con tutte le riparazioni necessarie prima di riavviare e continuare a lavorare.

- Se lo strumento inizia a vibrare in modo anomalo, spegnerlo e cercare di individuare immediatamente la causa. Vibrazioni anomale sono dovute generalmente a malfunzionamenti.

- Spegnerlo sempre il dispositivo e aspettare che esso si sia fermato completamente quando lo si lascia incustodito, prima di fare manutenzione, prima di controllarlo e pulirlo.

- È proibito modificare o rimuovere qualsiasi parte interna del dispositivo.



Regole di sicurezza specifiche

- Assicurarsi che macchina e lama siano in perfetto ordine.
- Assicurarsi che la lama sia montata nella giusta direzione.
- Non utilizzare lame di acciaio HSS che non soddisfano i requisiti indicati nel presente manuale.
- Rimuovere dal pezzo di legno da tagliare eventuali chiodi o altri oggetti metallici.
- Prima di iniziare il taglio assicurarsi che la sega raggiunga la sua massima velocità.
- Sollevare la sega dal piano di lavoro dopo averla spenta e solo dopo che la lama si è fermata del tutto.
- Non cercare di rallentare la lama esercitando pressioni laterali.
- Assicurarsi che il diametro della cresta della flangia interna coincida con il foro della lama.
- Utilizzare solo lame integre. Sostituire tempestivamente lame con lesioni, piegate o arrugginite.
- La direzione della freccia stampata sulla lama deve coincidere con la direzione della freccia incisa sulla scocca di protezione.
- È vietata la rimozione di qualsiasi dispositivo di protezione prima del taglio.
- Per effettuare il taglio di pezzi piccoli e leggeri, utilizzare dispositivi di fissaggio adeguati.
- Evitare di segare qualsiasi pezzo contenente amianto.
- Non toccare la lama con le mani mentre è in movimento, in nessun caso.
- Evitare di eseguire tagli al di sopra dell'operatore.
- Non bloccare la protezione mobile e non ostruire il foro per l'estrazione della polvere per evitare il bloccaggio della lama a causa della segatura. Se questo dovesse succedere interrompere subito l'utilizzo della macchina e ripristinare le condizioni di sicurezza.
- Mantenere le mani a distanza dalla lama. Mettere la seconda mano sulla maniglia ausiliaria o sul corpo motore della macchina.
- Mai tenere il pezzo di lavoro fermo con le mani o tra le gambe. Fissare il pezzo di lavoro su un banco solido.
- Verificare che la protezione mobile della lama scorra liberamente, prima di ogni utilizzo.

Se la lama si inceppa o quando si interrompe il taglio per qualsiasi motivo, rilasciare l'interruttore e mantenere la sega nel materiale fino all'arresto completo della lama. Non rimuovere la sega dal pezzo mentre è in movimento o si verificheranno contraccolpi.

ESTRARRE DALL'IMBALLAGGIO

Quando aprite la confezione, assicuratevi che tutti i componenti siano inclusi. Consultate le istruzioni su questo manuale. Per eventuali parti mancanti o rotte, si prega di contattare l'assistenza IVT.

CONTRACCOLPO: CAUSE E PRECAUZIONI

1. Il contraccolpo è un'improvvisa reazione di bloccaggio della lama, che può causare un balzo incontrollato della macchina fuori dal pezzo che si sta lavorando e verso l'operatore.
2. Quando la lama è bloccata o costretta all'interno del taglio, emette vibrazioni e il motore spinge rapidamente il dispositivo all'indietro verso l'operatore.
3. Se la lama si imbarca o si disallinea durante il taglio, i denti del bordo posteriore potrebbero incepparsi sulla superficie superiore del legno e causare quindi un sobbalzo della macchina fuori dal pezzo.
4. Il contraccolpo è il risultato di un uso improprio dello strumento e/o di procedure e condizioni di funzionamento non corrette che possono essere evitate adottando opportune precauzioni, come indicato di seguito:
 - Mantenere una presa salda con entrambe le mani sulla macchina e posizionare le braccia e il corpo in modo da resistere al contraccolpo, che potrà così essere controllato dall'operatore.
 - Quando la lama è bloccata, o il taglio viene interrotto per qualsiasi motivo, rilasciare immediatamente l'interruttore e attendere che la lama si sia completamente fermata all'interno del materiale che si stava tagliando.
 - Non tentare mai di rimuovere la macchina dal pezzo o di tirarla indietro mentre la lama è in movimento o si verificherà un contraccolpo.
 - Scoprire la causa del bloccaggio della lama e prendere provvedimenti per eliminare il problema.
 - Il legname umido, acerbo o pressato richiede maggiore attenzione durante le operazioni di taglio, perchè maggiormente predisposto al contraccolpo.
 - Evitare di incappare in graffette: controllare il pezzo di lavoro e rimuovere ogni elemento di giunzione.
 - Quando si riprende un taglio già iniziato nel pezzo, la lama deve essere posizionata al centro del solco ed è necessario controllare che i denti della lama non siano bloccati nel materiale. Se la lama è bloccata, questa può saltare e dare contraccolpi nel momento in cui la macchina viene riavviata.
 - Sostenere i pannelli di grandi dimensioni per ridurre al minimo il rischio di bloccaggio della lama e di un contraccolpo. Pannelli di grandi dimensioni tendono a curvarsi sotto il proprio stesso peso. È necessario posizionare dei supporti al di sotto del pannello su entrambi i lati, in prossimità della linea di taglio, e vicino al bordo del pannello.
 - Non utilizzare lame danneggiate o flesse.
 - Lame non affilate o fissate in maniera impropria producono vibrazioni che provocano un eccessivo attrito, il bloccaggio della lama e il contraccolpo.



IT



Le leve di regolazione devono essere serrate in modo sicuro prima di procedere alle operazioni di taglio. Se le regolazioni non sono serrate correttamente la lama potrebbe muoversi durante il taglio provocando un contraccolpo.

Un'eccessiva profondità di taglio aumenta il carico di lavoro al motore e predispone maggiormente la lama a torsioni. Infine aumenta anche l'attrito tra la lama e il pezzo di lavoro.

Prestare particolare attenzione quando si operano dei tagli su pannelli montati o in zone cieche: la lama sporge dall'altro lato del pannello e potrebbe entrare in contatto con oggetti e causare contraccolpo.

INSTALLAZIONE E REGOLAZIONI DELLA SEGA CIRCOLARE



ATTENZIONE! Prima di effettuare qualsiasi tipo di intervento assicurarsi che il cavo sia scollegato dalla rete di alimentazione.

Sostituzione della lama

1. Appoggiare la macchina sul lato motore.
2. Mantenendo ferma la flangia esterna (13) con l'aiuto della chiave per flangia (18), svitare il bullone di fissaggio lama (12) con l'aiuto della chiave (18).
3. Aprire la scocca mobile di protezione (11) fino a farla rientrare completamente sotto la scocca di protezione fissa (4). Questo permetterà di estrarre la lama (10) liberamente. **[F1]**
4. Sostituire la lama (10). Quando si monta la nuova lama (10) assicurarsi che il diametro della cresta della flangia interna (20) coincida con quello del foro della lama.
5. Riportare la scocca mobile di protezione (11) nella posizione iniziale assicurandosi che i denti della lama (10) siano interamente coperti dalla scocca di protezione (11).
6. Riposizionare la flangia esterna (13) assicurandosi che la scanalatura sia rivolta verso la lama. Quindi bloccare la flangia con l'apposita chiave (18) e serrare il bullone di fissaggio (12) con l'altra chiave (18). **[F2]**

ESTRAZIONE DELLE POLVERI



L'utilizzo di un sacchetto di raccolta impedisce grandi accumuli o alte concentrazioni di polveri nell'aria e nell'ambiente, facilitandone l'eliminazione.

Per lunghi periodi di lavoro con il legno o per l'uso commerciale la macchina deve essere collegata ad un idoneo dispositivo esterno di estrazione della polvere.

MESSA IN FUNZIONE

Usare sempre la corretta tensione di alimentazione: essa deve coincidere con le specifiche riportate sulla targhetta apposta sul prodotto.

ACCENSIONE E SPEGNIMENTO [F3]

Accensione

Per accendere la macchina premere il pulsante di blocco (16) e premere l'interruttore di accensione/spegnimento (3).

Spegnimento

Per spegnere la macchina rilasciare l'interruttore di accensione/spegnimento (3).

ISTRUZIONI OPERATIVE

Assicurarsi che il pezzo sia saldamente fissato e che il pezzo sia posizionato a faccia in giù in modo che il bordo inferiore subisca un taglio più accurato.

Lo strumento dovrà essere acceso prima che la lama (10) tocchi il pezzo di lavoro. Non applicare troppa forza durante il taglio. Applicare una forza eccessiva non accelera il lavoro e può causare un sovraccarico.

Tenere la macchina con entrambe le mani utilizzando le due impugnature per avere il necessario controllo dello strumento.

Gli indicatori di taglio segnalano la posizione della lama (10) sia durante tagli verticali, sia durante tagli a 45°. Si consiglia di effettuare una prova di taglio su pezzi di scarto per evitare eventuali errori. **[F4]**

Impostazione della profondità di taglio

La macchina permette di regolare la profondità di taglio. Per avere un taglio più preciso la lama (10) deve sporgere dal pezzo di circa 3mm.

1. Allentare la vite ad alette per la selezione profondità di taglio (17).
2. Impostare la profondità di taglio desiderata utilizzando la guida per la regolazione della profondità di taglio (2).

Serrare la vite ad alette per la selezione profondità di taglio (17). **[F5]**

Impostazione angolo di taglio [F6]

La macchina permette di regolare l'angolo di taglio da 0° a 45°.

1. Allentare la vite ad alette per la selezione dell'angolo di taglio (8) e la vite di regolazione della piastra d'appoggio (19).
2. Impostare l'angolo di taglio desiderato utilizzando

CHARAKTERISTIKY NÁSTROJE

Model	CS-185-RC
Napětí ~ Frekvence [V ~ Hz]	230 ~ 50
Jmenovitý výkon [W]	1400
Otáčky bez zátěže [RPM]	5500
Průměr kotouče Ø [mm]	185
Průměr otvoru Ø pilového kotouče [mm]	25.4
Tloušť ka pilového kotouče [mm]	1.2
Max. hloubka řezu 45° [mm]	62
Max. hloubka řezu 90° [mm]	45
Váha [Kg]	4.5
Bezpečnostní třída	II

SEZNAM NÁHRADNÍCH DÍLŮ

1. Zásuvka pro extrakce prachu
2. Právítko pro hloubku řezu
3. Vypínač Zapnutí/Vypnutí
4. Bezpečnostní kryt pilového kotouče
5. Přídavná rukojeť
6. Omezovač úzlu krabice
7. Ustanovka paralelního vodítka
8. Křídlový šroub pro úpravu úhlu
9. Podkladní deska
10. Pilový list
11. Pohyblivý ochranný kryt
12. Upevňovací šroub pilového kotouče
13. Vnější příruba
14. Paralelní doraz
15. Větrací otvory
16. Tlačítko zámku
17. Upínací šroub omezovače hloubky řezání
18. Klíč
19. Upínací šroub základní desky
20. Vnitřní příruba

OBSAH KRABICE

Návod k použití (1 ks), paralelní doraz (1 ks), klíč (1 ks), dodatečné držadlo (1 ks), sada uhlíkových kartáčů (1 ks).

POSLÁNÍ

Tento model kruhové pily je možné používat pro řezání dřevěných těžeb. Stroj je vhodný pouze pro používání pravou rukou.

BEZPEČNOST PŘI PROVOZU

Zvláštní bezpečnostní předpisy

Následující bezpečnostní pokyny pomohou uživateli správně používat zařízení a zajistit jejich vlastní bezpečnost. Proto je třeba přečíst jejich pozorně. V případě předání zařízení na třetí osobu by měla být předána i tyto bezpečnostní pokyny.

Uchovejte tuto příručku a další popisy, které je součástí dodávky.

Dodržujte bezpečnostní opatření a řiďte se varováním uvedeným na přístroji.

Před zahájením práce, seznamte se s orgány řízení a pravidly provozu přístroje, dověďte se, jak zastavit přístroj v případě nouze.

Poslušnost těmto jednoduchým pokynům pomůže udržet váš přístroj v chodu.

Před použitím přístroj musí být správně smontovaný.

Používejte přístroj pouze za účelem.

Prozkoumejte výstražné nápisy na přístroji, plňte směrnice pro použití ochranných zařízení. Pozornost, promyšlený přístup k práci a příslušná příprava osob zapojených při provozu, přepravě, obsluze a úschově přístroje jsou nutné pro zabránění nehod.

Ne nechávejte přístroj bez dohledu.

Ne připouštějte používání přístrojů dětmi. Nedovolujte, aby děti si hráli s přístrojem.

Ne připouštějte přítomnosti v blízkosti dětí a zvířat. Nepovolané osoby musí se nacházet v bezpečné vzdálenosti od pracujícího přístroje. Zastavte práci, pokud v blízkosti jsou nepovolané osoby, zejména děti nebo zvířata.

Při práci s přístrojem jste zodpovědní za třetí osoby.

Osoby, kteří nejsou seznámeni s návodem k použití, děti, nezletilé, věku mladšího než umožňuje používat přístroj, jakož i osoby ve stavu alkoholického nebo narkotického opojení, nebo pod vlivem drog, ne jsou



přípustné k práci s přístrojem. Věk operátora určují místní normativní předpisy.



POZOR! Alkohol, drogy a některé léky, stejně jako stav nemoci, horečka a únava, snižují rychlost reakce. Nepoužívejte nářadí ve výše uvedených případech.

Ujistěte se, že všechna ochranná (pokud je k dispozici) zařízení jsou instalována a vhodná k provozování.

Ne používejte přístroj s poškozeným ochranným (pokud je k dispozici) zařízením, nebo bez nich.

Obhlédněte přístroj na přítomnost ne přichycených součástí (matic, šroubů, šroubků, atd.) nebo poškození. Aby zajistit bezpečnou práci přístroje, periodicky proveďte, zda dobře utáhnuté šrouby a vrtule. V nutném případě před použitím přístroje provádějte jich opravu nebo nahrazení. V případě použití poškozeného přístroje operátoru nebo cizím osobám mohou být nanесeny vážná zranění.

Pro práci používejte vhodný ochranný oděv. Pohodlný oděv, okrasy se mohou být zdrhnuty pohybujícími částmi. Použijte vhodný ochranný oděv. Ochráňte nohy a chodidla od rozlétaujících se smetů. Ne pracujte naboso nebo v otevřených sandálech. Seberte si dlouhé vlasy zezadu.

Uchovávejte ruce čistými a suchými.

Používejte odpovídající ochranné nářadí. Používejte ochranné brýle a rukavice. Při činnosti s prášcích, nebo při výronu výfukových plynů používejte protiprachový respirátor. V případě nutnosti oblečte nesliskou obuv, přilbu a ušní vložky. Když hladina hluku převyšuje 85 dB(A), určitě použijte ochranné chrániče na uši.



POZOR! Používejte osobní ochranné prostředky! Ochranné přípravky a osobní ochranné pomůcky poskytují ochranu vašeho zdraví a zdraví lidí které jsou v blízkou, stejně jako zajištění nepřetržitého provozu přístroje.

Nespouštějte přístroj, pokud je převrácený, nebo ne nachází se v pracovní poloze.

Během práce udržujte stabilní polohu. Vždy udržujte rovnováhu.

Před použitím odstraňte z pracovní plochy vše cizorodé předměty, unikejte dopadu pod přístroj cizorodých předmětů během provozu. Dodržujte čistotu na pracovním úseku. Na zatarasovajících úsecích je pozorován vysoký úroveň úrazovosti.

Ne přetěžujte přístroj. Efektivnost a bezpečnost přístroje výše při práci s předepsanou frekvencí.

Používejte přístroj pouze za denního světla nebo dobrého umělého světla. Nepoužívejte přístroj za snížené viditelnosti.

Nepouštějte přístroj, nedopouštějte srážky přístroje s jakýmkoliv překážkami.

UPOZORNĚNÍ! Bud'te pozorný. Sledujte práci. Vytrh se, lze ztratit ovládání. Přistupujete k práci rozumně.

Elektrické bezpečnostní předpisy

POZOR! Aby se zabránilo úrazu elektrickým proudem, zranění nebo vzplanutí při použití elektrického nástroje je nutné dodržet následující bezpečnostní pokyny. Před použitím nástroje přečtete a pečlivě dodržujte těchto pokynů.

Aby zvýšit bezpečnostní hladinu, doporučuje se používat zařízení diferenciální ochrany (RCD), vypočítaná na vybavovací proud nevíc než 30 mA. Kontrolujte RCD při každém využívání. Obrat'te se do kvalifikovaného elektrikáře.



POZOR! Použití RCD nebo jiného jističe nezabavuje operátora trávnickového žacího stroju povinného seznamování s bezpečnostními pravidly a bezpečné postupy prací popsané v tomto návodu.

Síťové napětí musí odpovídat hodnotě uvedené na desky nebo štítek. Nepoužívejte jiné zdroje energie.

Před připojením přístroje k síti, ujistěte se, že zásuvka odpovídá údajům uvedeným na štítku přístroje.

Vyhýbejte se kontaktu s uzemněnými povrchy (troubami, chladiči, bateriemi a chladiči). Při uzemnění přes tělo riziko úderu elektrickým proudem stoupá.



UPOZORNĚNÍ! Pro zamezení popáleniny nebo porážky se elektrickým proudem nedotýkejte do vodivých detail.

Netahejte za kabel při přemístění přístroje.

Použijte šňůru opatrně. Šetřete se od působení tepla, vyhýbejte se jeho kontaktu s mazacími materiály a také ostrými předměty nebo pohybujícími se částmi.

Bud'te opatrní s kabelem.

Nepoužívejte elektrické nástroje zblízka lehkou zápalných kapalin a zápalných plynů.

Před přemístěním přístroje na jiné místo, odpojte jeho od sítě.



UPOZORNĚNÍ! Přístroj musí nejprve vypnout, a poté jeho odpojte z elektrické zásuvky nebo od prodlužovacího kabelu.

Nepřítiskněte prodlužovač při práci přístroje. Neztrácejte kabel z dohledu.

Nepřipojujte prodlužovač přímo k přístroje samostatně. Obratě se do nejbližšího servisního agentu.

Při poruše přívodní šňůry pro zamezení nebezpečí, výrobce nebo jeho agent musejí vyměnit ho, nebo analogická kvalifikovaná osoba.

lhně vytahujte zástrčku ze zásuvky, když kabel je poškozený, nebo přestřihnutý.



POZOR! OHROŽENÍ PORÁŽKY ELEKTRICKÝM PROUDEM!

Sledujte průmyslové prostředí. Nepoužívejte elektrické nástroje ve vlhkých a sychravých prostředích. Udržujte pracovní úsek suchým, zajistěte dobré osvětlení. Šetřete přístroj od vlhkosti. Neponěchávejte přístroj na otevřeném prostranství přes noc. Při zásahu vody v elektrický nástroj stoupá riziko úderu elektrickým proudem.

Pravidelně a pokaždé před použitím kontrolujte napájecí kabel na přítomnost poruch a příznaků opotřebení. Nepoužívejte přístroj s poškozeným kabelem; obraťte se do oficiálního centra obsluhy.

Při práci mimo prostoru použijte jenom určené proto prodlužovači s příslušnou značkou. Vyhněte se zásahu kabelu pod přístroj, šetřete se ho od vlhkosti, od působení tepla, vyhněte se kontaktu s mazacími materiály a lehká zápalnými látkami.

Vyhněte se náhodného vypouštění přístroje: před zapojením do sítě přesvědčte se, že vypínač (pokud je k dispozici) zaujímat postavení «off» (vypnout).

Před zapojením přístroje vytahovejte stavěcí klíny a klíče.

Nepoužívejte přístroj s poškozeným vypínačem. Přístroj s polámaným vypínačem je nebezpečným a vyžaduje oprav.



POZOR! Někdy se během chodu elektrických nástrojů tvoří prach, který obsahuje chemické látky provokativní rarovinu.

K takovým chemickým látkám patří: olovo v sestavě bělob olovených, křemen patřící cihlě a cementu, arzén

a chrom, uvedené v řezivě, obroběném chemickými zkoumadly, a jiné škodliviny. Riziko účinku daných chemických látek záleží na frekvenci provádění spojených s nimi prací. **Abý omezit jich škodlivý vliv, pracujte v době provětrávající místnosti a využijte schválené ochranné nářadí, například, protiprachové respirátory, speciálně zpracované pro odfiltrování mikroskopických částic.**

Při dopadě pod přístroje nepovolaného předměta, prohlédněte jeho na přítomnost závad a provádějte nutnou opravu.

V případě nadměrné vibrace zastavte motor a okamžitě zjistěte příčinu. Vibrace je obvykle příznakem poškození.

Dříve než opustit pracoviště, opravte, prohlídku nebo čištění přístroje, vypněte ho a čekejte do plné zastavení. Je zakázáno odstraňovat nebo upravovat elektrické a mechanické pojistné zařízení.

Zvláštní bezpečnostní předpisy

- Ujistěte se, že všechna zařízení namontované na ostří pily jsou v bezvadném stavu.
- Ujistěte se, že ostří pily jsou správně umístěné.
- Nepoužívejte ocelové HSS ostří které nesplňují požadavky uvedené v této příručce.
- Před řezáním odstraňte všechny hřebíky a jiné kovové předměty z obrobku.
- Nikdy nezačínajte řezání dříve než pila nedosáhne svou plnou rychlost.
- Kotoučová pila může být odstraněna z pracoviště jenom po její vypnutí a když se ostří pily zastaví.
- Nikdy se nesnažte zpomalit pilový kotouč nátlakem na jeho stranu.
- Ujistěte se, že průměr vnitřní příruby přichytky odpovídá vnitřnímu otvoru pilového ostří.
- Používejte pouze ostré, bezvadné pilové ostří. lhně vyměňte prasklé, ohnuté nebo tupé ostří pily.
- Směr šípky na řezném nářadí musí vždy odpovídat směru šípky na ochranném pouzdru cirkulárky.
- Jakékoliv odstranění krytů cirkulárky před řezáním je zakázáno.
- Během řezání malých obrobků, které jsou příliš lehké aby se bezpečně umístily pod vlastní váhu, je třeba používat upínací přípravky.
- Jakékoliv řezání obrobků obsahujících azbest je zakázáno.
- Za žádných okolností se nedotýkejte rotující řezací nože s rukama.
- Neprovazujte kotoučovou pilu nad hlavou.
- Nezakrývejte pohyblivé ochranné pouzdro, nedovoľte aby se ucpalo pilinami. Pokud se to stane, zastavte cirkulárku a nedejte znovu do provozu dokud se závada neopraví.
- Ruce držte vně oblasti řezání a ostří. Držte svou



druhou ruku na pomocné rukojeti nebo motorovém krytu.

- Nikdy nedržte kus který se řeže v rukách nebo přes nohu. Zabezpečte obrobek na stabilní plošině.
- Zkontrolujte kryt pro správné zavření před každým použitím.

Pokud se ostří nacpa, nebo při přerušení řezání z jakéhokoliv důvodu, uvolněte spoušť a držte pilu bez pohybu v materiálu dokud se ostří úplně nezastaví. Nikdy se nepokoušejte odstranit pilu z práce nebo vytáhnout pilu dozadu dokud je ostří v pohybu, nebo může dojít k zpětnému rázu.

VYBALENÍ

Při vybalování, zkontrolujte, přítomnost všech prvků. Viz výkresy ke tomuto manuálu. Při nedostatku nebo poškození některých detailů, obraťte se v středisko podpory IVT.

ZAČÁTEK PROVOZU

Hodnota napětí napájení musí odpovídat uvedenému v tabuli štítkových údajů nástroje.

PŘÍČINY A OCHRANA OBSLUHY ZPĚTNÉHO RÁZU

1. Zpětný ráz je náhlá reakce na sevřený, vázaný nebo zarovnaný pilový kotouč, způsobující nekontrolovanou pilu zvednout a ven z obrobku k operátorovi.
2. Když je kotouč uzavřený nebo vázán pevně z pomocí uzavření řezání, stánky ostří a reakce motoru pohybuje jednotku rychle zpět k operátorovi.
3. Pokud se kotouč stane stočeným nebo zarovnaný v řezu, zuby na zadní okraji kotouče můžou kopat do horního povrchu dřeva, vyvolávajíce kotouč vylézt z uzavření a skočit zpátky k operátorovi.
4. Zpětný ráz je výsledkem nesprávného použití přístrojů a/nebo nesprávných pracovních postupů nebo podmínek, a lze předejít preventivními opatřeními, jak je níže uvedeno:

- Udržte pevné uchopení oběma rukama na pilu a postavte tělo a ruce abyste mohli odolat silám zpětného rázu, které můžou být řízeny operátorem pomocí preventivní opatření.
- Když je kotouč zavázan nebo přerušuje řez z jakéhokoliv důvodu, uvolněte spoušť a držte pilu bez pohybu v materiálu dokud se kotouč úplně nezastaví.
- Nikdy se nepokoušejte vyjmout pilu z obrobku nebo vytáhnout pilu dozadu dokud se ostří pohybuje, protože může dojít k zpětnému rázu.
- Vyšetřujte a dejte korekční kroky abyste odstranili

příčinu vazby ostří.

- Mokré dřevo, zelené dřevo nebo tlakově impregnované dřevo vyžaduje zvláštní pozornost při řezání, aby se zabránilo zpětnému rázu.
- Vyhnete se řezání hřebíků. Zkontrolujte a odstraňte všechny hřebíky z dřeva před řezáním.
- Po restartování pily v obrobku, centrujte pilové ostří do střediska řezání a zkontrolujte zda zuby pily nejsou zapojené do materiálu. Pokud je pilový kotouč závazný, může jít nahoru nebo mít silnou reakce zpět z obrobku pokud je pila restartována.
- Podporujte velké panely aby se minimalizovalo riziko aby ostří neštíplo a nemělo zpětný ráz. Velké panely mají tendenci klesnout pod vlastní vahou. Podpory musí být umístěny pod panelem v obou stranách, v blízkosti čáry řezání a v blízkosti okraje panelu.
- Nepoužívejte tupé nebo poškozené ostří.
- Nenaostřené nebo nesprávně postavené ostří vytváří úzké sekání, což způsobuje nadměrné tření, skřípnutí ostří a zpětný ráz.
- Hloubka ostří a šikmé nastavení zamykajících knoflíků musí být pevně bezpečně před řezáním. Pokud se ostří posune při řezání, může způsobit skřípnutí a zpětný ráz.
- Používání pily s příliš velkou řeznou hloubkou, zvyšuje zatížení na jednotku a citlivost na otáčení ostří v řezu. To také zvyšuje plochu ostří dostupnou pro štipání v podmínkách zastavení řezání.
- Bud'te velmi opatrní při "kapesném řezu" do existujících stěn nebo jiných slepých oblastech. Vyčnívající ostří můžou vysekat předměty které mohou způsobit zpětný ráz.

INSTALACE A NASTAVENÍ SLOŽEK KOTOUČOVÉ PILY



POZOR! Před prováděním jakékoliv práce na nářadí, musí být odpojeno od sítě.

Výměna pilového kotouče

1. Dejte nástroj na konec pouzdra elektromotoru.
2. Zatímco držíte vnější přírubu (13) s pin-klíčem (18), odšroubujte upevňovací šroub pilového kotouče (12) pomocí klíče (18).
3. Posuňte pohyblivý ochranný kryt (11) tak že je zcela zasunut do ochranného pouzdra (4); musí být provedeno tako aby se volně protáhl pilový kotouč (10). **[F1]**
4. Nasad'te pilový kotouč (10). Při montáži řecacího nože (10) ujistěte se, že průměr otvoru nože odpovídá průměru hřebenu na vnitřní přírubě (20).

5. Vrat' te pohyblivé kryt (11) do polohy: zuby bezpečnostní ostří (10) musí být zcela uzavřeny do pohyblivého krytu (11).

6. Nasad' te vnější přírubu (13) (drážka na vnější přírubě (13) musí být postavena směrem k řeznému kotouči) a, dokud ji držíte s pin-klíčem (18), připevněte upevňovací šroub pilového kotouče (12) s pomocí klíče (18). [F2]

ODSÁVÁNÍ PRACHU



Odsávání prachu zabraňuje velké nahromadění prachu, vysoké koncentrace prachu v ovzduší a usnadňuje nakládání.

Po dlouhou dobu pracování s dřevem nebo pro komerční použití na materiálech které produkují prach který je škodlivý pro zdraví, stroj připojuje k zařízení pro externí odsávání prachu.

ZAPNUTÍ/VYPNUTÍ [F3]

Zapnutí

Pro zapínání přístroje, držte tlačítko zamknutí (16) snížením a přitiskněte tlačítko zapnutí/vypnutí (3).

Vypnutí

Abyste vypnuli stroj, uvolněte tlačítko zapnutí/vypnutí (3).

NÁVOD K POUŽITÍ

· Ujistěte se, že je obrobek sepnutý bezpečně. Ujistěte se že je obrobek umístěn lícem dolů, protože spodní okraj bude takto přesněji zpracován.

· Nářadí musí být zapnuté dřív než se pilový kotouč (10) dotkne pracovního kusu. Nepoužívejte příliš velkou sílu: řezání není rychlé. Nadměrná působící síla nebude urychlet práce a bude mít za následek přetížení nářadí.

· Držte nářadí oběma rukama za obě rukojeti, protože zajistí požadované ovládání nářadí.

· Značky řezu označují polohu pilového kotouče (10) během provádění vertikální řezání jako i řezání pod úhlem 45°. Doporučuje se provést zkušební řez aby se odstranily chyby v průběhu operace. [F4]

Postavení hloubky řezu

Tento nástroj má funkci plavné výměny hloubky řezu. Přesný řez lze dosáhnout, pokud pilový kotouč (10) přesahuje materiál asi 3 mm.

1. Povolte upínací šroub pravítka hloubky řezu (17).
2. Postavte požadovanou hloubku řezu v souladu s čtěním na pravítku hloubky řezu (2).

Utáhněte upínací šroub pravítka hloubky řezu (17). [F5]

Natavení úhlu řezu [F6]

Toto nářadí má funkci plynulé změny úhlu řezu od 0° do 45°.

1. Uvolněte křídlový šroub pro úpravu úhlu (8) a upínací šroub základní desky (19).
2. Postavte požadovaný úhel řezu v souladu s údaji na pravítku sklonu trubu (6).
3. Utáhněte upínací šrouby (8) a upínací šroub základní desky/ vodící desky (19).
4. Zvětšujte nebo snižujte hloubku řezu pomocí zvýšení či snížení základní desky (9), pokud je nutné.

Řezání pomocí paralelní opory

Paralelní opora (14) umožňuje řezání podél existující rovné hrany obobku, stejně jako řezání tyčí stejné šířce.

1. Povolte upínací šroub paralelní opory (7).
2. Postavte požadovanou šířku řezu v souladu s údaji na škály paralelního dorazu (14).

Utáhněte upínací šroub paralelního dorazu (7). [F7]

OBSLUHOVÁNÍ A USCHOVÁNÍ



UPOZORNĚNÍ! Dříve než začít chod nástroje, vytažte síťový kolík.

· Držete přístroj a ventilační otvory (pokud je k dispozici) v čistotě. V případě vypnutí z provozu, bez ohledu na dokonalé podmínky pro výroby a testování, oprava musí se splňovat v oficiálním servisním centru. Pravidelní čištění a obsluhování zaručují vysokou efektivnost a dlouhotrvající provozování přístroje.

· V případě vyřazení z provozu bez ohledu na dokonalé podmínky výroby a testování, oprava se musí provádět v oficiálním servisním centru IVT.

· Všechny matice, šrouby a vrtule musejí být těsně zdrhnuty.

· Zaměřte vadné nebo obnošené detaily.

· Používejte jenom originální náhradní díly. Výrobky, vyrobené mimopodnikovým výrobcem, přiléhají netěsně a zvyšují riziko vzniku úrazů.

· Držete přístroj za sucha v nedostupném místě pro děti, ve bezpečném vzdálenosti od lehkých zápalných materiálů.

· Vyhněte se dopadu vody na přístroj!

**ХАРАКТЕРИСТИКА НА ИНСТРУМЕНТА**

Модел	CS-185-RC
Напрежение ~ Честота [V ~ Hz]	230 ~ 50
Номинална мощност [W]	1400
Брой обороти при празен ход [min ⁻¹]	5500
Диаметър на режещия диск Ø [mm]	185
Диаметър на отвора на режещия диск Ø [mm]	25.4
Дебелина на режещия диск [mm]	1.2
Максимална дълбочина на рязане при 45° [mm]	62
Максимална дълбочина на рязане при 90° [mm]	45
Тегло [kg]	4.5
Клас на защита	II

СПИСЪК НА ДЕТАЙЛИТЕ

- Отвор за прахоулавяне
- Скала за дълбочина на рязане
- Пусков превключвател
- Защитен кожух на режещия диск
- Допълнителна ръкохватка
- Скала за ъгъла на наклона на корпуса
- Затегателен винт на паралелния водач
- Винт с крилчата глава за регулиране на ъгъла на наклона
- Основна плоча
- Режещ диск
- Подвижен защитен кожух
- Скрупителен винт на режещия диск
- Външен фланец
- Паралелен водач
- Вентилационни отвори
- Бутон за блокиране
- Затегателен винт на скалата за дълбочина на рязане
- Гаечен ключ
- Затегателен винт на основната плоча
- Вътрешен фланец

СЪДЪРЖАНИЕ НА КУТИЯТА

Ръководство за работа (1 бр.), паралелен водач (1 бр.), гаечен ключ (1 бр.), допълнителна ръчка (1 бр.), комплект въглени четки (1 бр.).

ПРЕДНАЗНАЧЕНИЕ

Даденият модел на ръчния циркуляр е предназначен за рязане на дървени повърхности. Електроинструментът е предвиден за използване само от работещите, за които дясна ръка е основна.

ТЕХНИКА НА БЕЗОПАСНОСТ ПРИ РАБОТА**Общи правила за безопасност**

Следващите инструкции за техника на безопасност имат за цел да помогнат на потребителя правилно да използва устройството и да гарантира собствената си безопасност, поради което трябва да бъдат внимателно прочетени. В случай, че машината бъде предадена за ползване от трето лице, това трябва да стане заедно с тези инструкции за безопасна работа. Запазете тази инструкция, както и всички други ръководства и обяснения за експлоатация, които влизат в комплекта на доставката.

Спазвайте техниката на безопасност при работа и предупрежденията върху инструмента.

Преди употреба се запознайте с устройствата за управление и правилата за работа с инструмента, разберете, как трябва да бъде спряна уреда в случай на авария.

Спазването на тези лесни инструкции ще даде възможност да поддържате инструмента в добро работно състояние.

Използвайте инструмента само по предназначение. Разучете предупреждащите надписи върху инструмента, следвайте инструкциите за използване на предпазните средства. За предотвратяването на инциденти е необходим внимателен, разумен подход към работата и съответна подготовка на лицата, които участват в експлоатацията, транспорта, поддръжката и съхраняването на инструмента.

Не оставяйте инструмента без наблюдение.

Не позволявайте инструмента да се използва от деца, а също така да си играят с него.

Не позволявайте близо до работещия инструмент да се намират деца и животни. Страничните лица



трябва да се намират на безопасно разстояние от работещия инструмент.

Прекратете работа, ако наблизко се намират непознати, особено деца, или животни.

При работа с инструмента ползвателят носи отговорност за трети лица.

Не се разрешава с инструмента да работят лица, непознати с инструкциите за работа, деца, непълнолетни, ненавършили възрастта за работа с инструмента, а също така лица, които са в състояние на алкохолно или наркотично опиянение, или се намират под въздействието на медикаментозни препарати. Възрастта на оператора се определя от местните нормативни актове.



ВНИМАНИЕ! При употреба на алкохол, приемане на някои лекарства и наркотични вещества, а също така при състояния на отпадналост, температура и умора скоростта на реакция намалява. Не използвайте електроинструменти в такива случаи.

Убедете се, че всички защитни приспособления (има в наличностна) са сложени и са годни за експлоатация.

Не използвайте инструмент с повредени защитни приспособления (има в наличностна) или с липсващи такива.

Огледайте инструмента, за да се убедите, че няма лошо закрепени детайли (гайки, болтове, винтове и т.н.) или повреди. За да се осигури безопасна работа на уреда, периодично трябва да проверявате, добре ли са затегнати болтовете и гайките. Ако е необходимо, ремонтирайте ги или ги сменете, преди да използвате инструмента. В случай на използване на повреден уред могат да бъдат причинени сериозни травми на оператора или на странични лица.

При работа използвайте съответното специално работно облекло. Широките дрехи, украшенията могат да бъдат захванати от движещите се части. Използвайте съответното работно облекло. Защитете краката и стъпалата си от хвърчащия боклук. Не работете боси или с отворени сандали. Дългата коса трябва да се връзва отзад.

Поддържайте ръкохватките чисти и сухи.

Използвайте съответните защитни приспособления. Използвайте предпазни ръкавици и очила. При работа с прахове или при изхвърляне на изгорели газове използвайте противопрахов респиратор. При необходимост сложете обувки, които не се плъзгат, каска и тапи за уши. Ако нивото на шума превишава 85 dB (A), задължително използвайте предпазни наушници.



ВНИМАНИЕ! Използвайте индивидуалните средства за защита! Защитните устройства и личните предпазни средства служат за защита на вашето здраве и здравето на близките ви хора и гарантират непрекъснатата работа на инструмента.

Не включвайте инструмента, ако е обърнат или не е в работно положение

По време на работа пазете устойчиво равновесие. Пазете постоянно равновесие.

Преди инструмента почистете работната площадка от всички странични предмети, старайте се да избягвате попадането под косачката на странични предмети по време на работа. Поддържайте чистотата на работното място. Там, където цари безпорядък, има голяма опасност от получаване на травми.

Не претоварвайте инструмента. Инструмент ще работи по-ефективно и безопасно при натоварване, за което е проектиран.

Използвайте инструмента само при дневна светлина и при добро изкуствено осветление. Не използвайте инструмента при лоша видимост.

Внимавайте да не изпуснете инструмента, пазете го от сблъскване с прегради.

ВНИМАНИЕ! Бъдете концентрирани. Следете за хода на работата. Не се отвлечайте, защото може да изгубите контрол. Подхождайте към работата разумно.

Правила за електробезопасност

ВНИМАНИЕ! За предотвратяване на опасността от токов удар, причиняване на травми или запалване при използването на електроинструменти трябва да се спазват дадените по-долу инструкции за техника на безопасност. Прочетете ги, преди да започнете да използвате инструмента, и ги спазвайте стриктно.

За да се повиши нивото на безопасност се препоръчва да се използва устройството за диференциална защита (RCD), разчетено за ток на изключване не повече от 30 mA. Проверявайте RCD преди всяко използване. Обърнете се към квалифициран електротехник.



ВНИМАНИЕ! Използването на RCD или на друг прекъсвач не освобождава оператора на косачката от задължението да се запознае с правилата за техника на безопасност и методите за безопасна работа, посочени в това ръководство.

Напрежението на мрежата трябва да съответства на значението, посочено на табелката или етикета. Не използвайте други източници на захранване.

Преди да включите инструмента към мрежата, убедете се, че контактът съответства на данните, посочени в табелката на инструмента.

Избягвайте контакта със заземени повърхности (тръби, радиатори, хладилници). В случай на заземяване през тялото, рискът от токов удар се увеличава.



ВНИМАНИЕ! Докосването на наелектризираните части може да причини смърт от токов удар или изгаряне.

Не дърпайте кабела, когато премествате инструмента.

Внимавайте с кабела. Пазете го от въздействие на топлина, от контакти със смазочни материали, както и от остри предмети или движещи се части.

Внимавайте с шнура.

Не използвайте електрически инструменти в близост до леснозапалими течности и газове.

Изключете уреда от мрежата, преди да го пренесете на друго място.



ВНИМАНИЕ! Приборът трябва първо да се изключи, а после да се прекъсне захранването чрез издърпване на щепсела от контакта или удължителя.

Никога не минавайте с уреда върху удължителния кабел, докато инструментът работи. Дръжте винаги в ползрението си кабела.

Не свързвайте сами удължителя направо към уреда, обърнете се към най-близкото отделение за електроснабдяване.

При повреда на захранващия кабел, от гледна точка на безопасността, той трябва да бъде сменен от производителя или негов представител, или от аналогично квалифицирано лице.

Незабавно извадете щекера от контакта, ако кабелът е повреден или разрязан.



ВНИМАНИЕ! ОПАСНОСТ ОТ ТОКОВ УДАР!

Отчитайте състоянието на околната работна среда. Не използвайте електрическите инструменти по време на дъжд. Не използвайте електрическите инструменти във влажни и мокри помещения. Поддържайте сухо работното място, осигурете добро осветление. Пазете инструмента от влага. Не го оставяйте на открито през нощта. При попадане на вода в електрически инструмент се повишава рискът от токов удар.

Редовно и всеки път преди използване проверявайте захранващия кабел за евентуални повреди или признаци на износване. Не използвайте инструмент с повреден кабел; обърнете се към официалния център за обслужване.

При работа на открито използвайте само предназначения за тази цел удължители със съответна маркировка. Избягвайте попадането на кабела под инструмента, пазете го от влага, въздействие на топлина, от контакт със смазочни материали или леснозапалими вещества.

Избягвайте случайното пускане на инструмента: преди да го включите в мрежата се уверете, че ключът (има в наличностна) е в положение «off» (изключен). Преди да включите инструмента, отстранете регулиращите клинове и ключове.

Не използвайте инструмент с повреден включвател. Инструмент с повреден ключ е опасен и трябва да бъде ремонтиран.



ВНИМАНИЕ! Понякога при работа с електроинструменти се образува прах, който съдържа химични вещества, предизвикващи рак.

Тези химически вещества включват: олово в състава на оловно белило, кварц, който е съставна част на тухлите и цимента, арсен и хром, съдържащи се в химически обработения дървен материал, и други вредни вещества. Рискът от въздействието на тези химически вещества зависи от честотата на извършване на свързаните с тях работи. **С цел да се намалят вредните ефекти от тях, работете в добре вентилирани помещения и използвайте одобрените предпазни средства, като например противопрашна маска, специално предназначена за филтриране на микроскопични частици.**



Ако инструментът се натъкне на страничен предмет, огледайте го добре за евентуални повреди и го ремонтирайте, ако е необходимо.

При възникване на прекалено голяма вибрация спрете двигателя и веднага изяснете причината. Вибрацията обикновено е признак на повреда.

Преди да напуснете работното място, да направите ремонт, оглед или почистване на пинструмента, първо го изключете и изчакайте, докато не спре напълно.

Забранено е свалянето или изменението на електрическите и механичните устройства за защита.

Специални правила за безопасност

- Уверете се в това, че всички устройства, монтирани върху режещия диск се намират в идеално работно състояние.

- Уверете се в това, че режещия диск е монтиран правилно.

- Не използвайте дискове от бързо режеща стомана, които не съответстват на техническите изисквания, посочени в даденото ръководство за използване.

- Преди да започнете рязането, изкарайте от обработвания детайл всички гвоздеи и други метални предмети.

- Никога не започвайте рязането, докато скоростта на режещия диск не достигне максималната.

- Ръчният циркуляр може да се мести от работното си място само след изключване на машината и спиране на режещия диск.

- Никога не се опитвайте да забавите скоростта на въртене на режещия диск, натискайки страничната му повърхност.

- Уверете се в това, че диаметърът на ръба на вътрешния фланец съответства на вътрешния отвор на режещия диск.

- Използвайте само остри дискове без дефекти. Режещите дискове с пукнатини, изкривени или затъпени, незабавно да бъдат заменени.

- Посоката на стрелката върху режещия диск трябва винаги да съвпада с посоката на стрелката върху защитния кожух на циркуляра.

- Забранено е да се свалят защитните устройства преди рязането.

- При рязането на дребни детайли, собственото тегло на които е недостатъчно за запазването на стабилно положение, използвайте закрепващи приспособления.

- Забранено е рязането на материали, съдържащи азбест.

- При никакви обстоятелства не докосвайте с ръце въртящия се режещ диск.

- Не работете с ръчния циркуляр над нивото на главата си.

- Не допускайте блокирането на подвижния защитен кожух, запушването му със стърготини. Ако това се случи, спрете машината и не започвайте работа до този момент, който повредата не бъде отстранена.

- Дръжте ръцете си по-далеч от зоната на рязане и режещия диск. Втората ръка да се намира върху спомагателната ръкохватка или върху корпуса на двигателя.

- При рязането никога не дръжте обработвания детайл в ръцете си или напречно на крака си. Той трябва да бъде закрепен върху устойчива основа.

- Преди всяко ползване на машината се уверете в това, че защитния кожух е затворен по надлежен начин.

В случай на заклиняването на режещия диск или при прекъсването на рязане по някаква причина, изключете пусковото устройство и удържайте циркуляра в обработвания детайл неподвижно до момента, в който режещия диск не спре напълно. Не се опитвайте да издърпате машината от обработваната повърхност или да я теглите в обратната посока, докато режещия диск още се върти, това може да предизвика обратен удар.

РАЗОПАКОВАНЕ

При разопаковането проверете дали са доставени всички елементи. Вж. чертежите към това ръководство. Ако има липсващи или повредени детайли, обърнете се към центъра за поддръжка на IUT.

НАЧАЛО НА РАБОТА

Стойността на захранващото напрежение трябва да отговаря на посоченото върху табелката с паспортните данни на инструмента.

ПРИЧИНИ И ПРЕДОТВРЯВАНЕ НА ОБРАТЕН УДАР

1. Обратният удар се предизвиква от затискане, изкривяване или изместване на режещия диск, в резултат на което машината внезапно излиза от контрол и изскача от обработвания детайл по посоката на работещия.

2. Когато режещият диск е затиснат или плътно заклещен в разреза, или блокира, тогава машината бързо тръгва назад по посоката на работещия.

3. Ако режещият диск се изкривява или се измества в разреза, зъбите от задната страна на острието се



врязват в горната повърхност на дървото, при това острието излиза от разреза и отскача по посока към работещия.

4. Обратният удар е резултат от неправилното използване на електроинструмента и/или неспазване на правилата и изискванията за употреба. За предотвратяване на обратен удар е необходимо да се спазват следните предпазни мерки:

- Дръжте здраво циркуляра с двете си ръце. При това положението на ръцете и стойката на тялото трябва да осигуряват съпротивлението на обратния удар, силата на който може да се контролира с надлежни предпазни мерки.
- Когато режещият диск е затиснат или по някаква причина трябва да се спре работата, изключете пусковото устройство и не местете машината в материала до пълното спиране на диска.
- Никога не се опитвайте да издърпате машината от обработвания детайл или да я теглите в обратната посока, докато режещият диск още се върти, това може да предизвика обратен удар.
- Изяснете причината на затискане на режещия диск и я отстранете.
- Рязането на сурова дървесина, пресен дървен материал или обработен под налягането изисква специално внимание, за да се избегне обратен удар.
- Избягвайте рязането на гвоздеи. Проверете за наличието им и изкарайте всички гвоздеи от дървесината преди рязането.
- При повторно пускане на циркуляра в обработвания материал нагласете машината в средата на разреза и проверете докосват ли се зъбите до материала. Ако режещият диск е заклевен, при повторно пускане машината може да тръгне назад или да изскочи от обработвания детайл.
- Не допускайте огъване/ изкривяване на панели с голям размер. Това може да предизвика затискане за режещия диск и обратен удар. Помнете, че панелите с голям размер могат да се огъват от собственото си тегло. Поставете подпори под панела от двете му страни: около линията на разреза и ръба на панела от другата страна на разреза.
- Забранено е използването на лошо заточени и повредени режещи дискове.
- Незаточеният или монтираният неправилно режещ диск прави прекалено тесен разрез, което предизвиква прекомерно триене, затискане на диска и обратен удар.
- Преди да започнете прорязването/ рязането уверете се, че застопоряващите ръчки за регулиране на дълбочината на рязане и наклона на режещия диск са добре стегнати и изправни. Промяната в настройката на режещия диск по време на рязане

може да предизвика затискане и обратен удар.

- При използването на циркуляра с прекомерна дълбочина на рязане се увеличава натоварването върху машината и възможността за усукване на острието в разреза. Това също така увеличава лицето на острието, изложено на затискане в разреза.
- Много внимавайте при извършване на четириъгълни прорези в стените или други обекти с повърхности, недостъпни за оглед. Стърчащата навън част на режещия диск може да повреди предметите или да предизвика обратен удар.

МОНТАЖ И РЕГУЛИРАНЕ НА ЕЛЕМЕНТИТЕ НА РЕЖЕЩИЯ ДИСК



ВНИМАНИЕ! Преди извършването на всякакви работи с електроинструмента го изключете от захранващата мрежа.

Замяна на режещия диск

1. Сложете машината на челната страна на корпуса на електродвигателя.
2. Удържайки външният фланец (13) с помощта на ключа за кръгли гайки с отвори (18), развийте скрепителния винт на режещия диск с гаечен ключ (18).
3. Преместете подвижния защитен кожух (11) по такъв начин, че той напълно да влезе в защитния кожух (4). Това е необходимо за свободното изваждане на режещия диск (10). [F1]
4. Заменете режещия диск (10). При монтаж на диска (10) се уверете, че диаметърът на отвора на диска съответства на ръба на вътрешния фланец (20).
5. Завъртете подвижния защитен кожух (11) в изходно положение: зъбите на диска (10) трябва да бъдат напълно покрити с подвижния защитен кожух (11).
6. Монтирайте външния фланец (13) (каналът върху външния фланец (13) трябва да бъде разположен по посоката на режещия диск) и, удържайки го с ключа за кръгли гайки с отвори (18), завийте скрепителния винт на режещия диск (12) с гаечен ключ (18). [F2]

ПРАХОУЛАВЯНЕ



Прахоулавянето намалява концентрацията на прах във въздуха, препятства натрупването му на работното място.



При продължителното обработване на дървесина или по време на обработване на материали, отделящи вреден за здравето прах, машината трябва да се включи към съответното външно прахоулавящо устройство.

ВКЛЮЧВАНЕ И ИЗКЛЮЧВАНЕ [F3]

Включване

За включване на електроинструмента натиснете бутона за блокиране (16) и удържайки го в това положение, натиснете бутона на пусковия превключвател (3).

Изключване

За изключване на машината отпуснете бутона на пусковия превключвател (3).

ПРЕПОРЪКИ ЗА РАБОТА

Уверете се в това, че обработваният детайл е фиксиран здраво. Бъдете сигурни, че той е разположен с лицевата си страна надолу, защото долният ръб ще изглежда по-равилен.

Включете машината преди режещият диск (10) да се докосне до обработвания детайл. Не прилагайте излишна сила, за извършването на операцията ще потрѣбва определено време. Излишният натиск няма да ускори процеса на рязане, а по-скоро ще претовари електроинструмента.

Дръжте машината здраво с двете си ръце за двете ръкохватки. Това позволява да се запази необходимия контрол над циркуляра.

Знаците на прореза показват положението на режещия диск (10) при извършване на вертикалните прорези и прорезите под ъгъл 45°. Препоръчва се да се направи пробен прорез, за да се изключат грешките в процес на работата. [F4]

Настройване на дълбочината на рязане

Конструкцията на електроинструмента позволява да се извършва плавно регулиране на дълбочината на рязане. Точният срез се получава, ако режещият диск (10) излиза извън границите на материала на около 3 мм.

1. Разхлатете притягащия винт върху скалата за дълбочина на рязане (17).
2. Задайте желаната дълбочина на рязане в съответствието с показанията върху скалата за дълбочина на рязане (2).

Стегнете затегателния винт на скалата за дълбочината на рязане (17). [F5]

Регулиране на ъгъла на рязане [F6]

Конструкцията на електроинструмента позволява да се извършва плавно регулиране на ъгъла на рязане от 0° до 45°.

1. Разхлатете винта с крилчата глава върху скалата на ъгъла на рязане (8) и притягащия винт на основната плоча (19).
2. Задайте желания ъгъл за рязане в съответствие с показанията върху скалата на ъгъла на наклона на корпуса (6).
3. Стегнете затегателните винтове (8) и затегателния винт върху основната плоча/направляваща плоча (19).
4. При необходимост може да се увеличи или да се намали дълбочината на разреза, регулирайки основната плоча (9) нагоре или надолу.

Рязане с помощта на паралелния водач

С помощта на паралелния водач (14) може да се извършва рязане успоредно на съществуващия прав ръб на обработвания детайл, а също така и рязане на греди с еднаква ширина.

1. Разхлатете затегателния винт на паралелния водач (7).
2. Задайте желаната ширина на рязане в съответствие с показанията върху скалата на паралелния водач (14).

Стегнете затегателния винт на паралелния водач (7). [F7]

ПОДДРЪЖКА И СЪХРАНЕНИЕ



ВНИМАНИЕ! Преди да започнете работа с инструмента, извадете мрежовия щепсел.

Поддържайте уреда и вентилационните отвори (има в наличностна) чисти. Редовното почистване и техническо обслужване гарантират висока ефективност и продължителна експлоатация на инструмента.

В случай на излизане на инструмента от строя, независимо от отличните условия на производство и тестване, ремонтът трябва да се извърши в официален сервизен център на IVT.

Всички гайки, болтове и винтове трябва да бъдат добре затегнати.

Сменете повредените или износени детайли.

Съхранявайте уреда на сухо, недостъпно за деца място, на безопасно разстояние от леснозапалими материали.

Пазете инструмента от попадане на вода!

ОПАЗВАНЕ НА ОКОЛНАТА СРЕДА



Изпращайте суровините за рециклиране, а не ги изхвърляйте!

Инструментът, допълнителните приспособления и опаковката трябва да се изпращат за екологично безопасно рециклиране.

Пластмасовите елементи се изпращат за класифицирано рециклиране.

Тези инструкции са напечатани на вторична хартия, която не съдържа хлор.

CHARAKTERISTIKA NÁSTROJA

Model	CS-185-RC
Napätie ~ Frekvencia [V ~ Hz]	230 ~ 50
Menovitý výkon [W]	1400
RPM na voľnobehu [o./min]	5500
Prierez disku Ø [mm]	185
Prierez otvoru disku Ø [mm]	25.4
Hrúbka disku [mm]	1.2
Max. hĺbka rezu pri 45° [mm]	62
Max. hĺbka rezu pri 90° [mm]	45
Hmotnosť [Kg]	4.5
Trieda bezpečnosti	II

ZOZNAM DIELOV

1. Otvor na odvádzanie prachu
2. Doraz hĺbky rezania
3. Prepínač "zapnuté/vypnuté"
4. Kryt rezacieho disku
5. Dodatočná páka
6. Doraz sklonu základne
7. Skrutka na doťahovanie rovnobežného vodítka
8. Motýľovitá skrutka na nastavovanie uhla
9. Základná doska
10. Rezací disk
11. Pohyblivá ochranná ohrada
12. Doťahovacia skrutka disku
13. Vonkajšia príruha
14. Rovnobežné vodítko
15. Ventilačný otvor
16. Blokovacie tlačidlo
17. Doťahovacia skrutka – doraz hĺbky rezania
18. Vidlový kľúč
19. Doťahovacia skrutka základnej dosky
20. Vnútorňa príruha

OBSAH ŠKATULE

Návod na použitie (1 ks.), rovnobežné vodítko (1 ks.), vidlový kľúč (1 ks.), pomocná rukoväť (1 ks.), komplet grafitových kef (1 ks.).

PREDURČENIE

Tento model cirkulárky sa môže používať na pílenie drevených kusov. Stroj je určený len pre použitie pravou rukou.

BEZPEČNOSŤ PRI PREVÁDZKE

Všeobecné bezpečnostné predpisy

Nasledujúce bezpečnostné pokyny pomôžu vám správne použiť nástroj a zaistiť svoju vlastnú bezpečnosť. Preto by ste mali si ich starostlivo prečítať. V prípade prevodu nástroja na tretiu stranu mali by ste dodať aj tieto bezpečnostné pokyny.

Uchovávajte tento návod a ďalšie literatúry, dodané v tejto dodávke.

Dodržiavajte bezpečnostné upozornenia a varovania na nástroje.

Pred začiatkom prevádzky skontrolujte ústoje riadenia nástroja, ale predovšetkým, naučte sa spôsoby jeho núdzového zastavenia.

Dodržiavanie týchto jednoduchých krokov môže pomôcť udržať váš nástroj v dobrom stave.

Pred použitím nástroja musí byť správne zmontovaný.

Používajte nástroj iba účelne.

Okrem toho, na nástroje môžu byť varovania a pokyny pre používanie bezpečnostného vybavenia, ktoré by ste sa mali naučiť. Predchádzaniu nehodám pomôže starostlivosť, citlivý prístup k práci a vhodné školenie osôb, ktorí sa podieľajú na prevádzke, doprave, údržbe a skladovaní nástrojov.

Nenechávajte prístroj bez dozoru.

Nenechávajte deťom používať nástroje. Nedovoľte deťom hrať sa s nástrojom.

Vyhňte sa blízkosti nástroja k deťom a zvieratám. Neoprávnení osoby musia byť v bezpečnej vzdialenosti od pracovného nástroja.

Prí práci s nástrojom, nesiete zodpovednosť za tretie osoby. Osobám, ktoré nie sú oboznámení s návodom, deťom, mladistvým, ktorí nedosiahli vek na použitie nástroja, ako aj osobám, ktorí sú pod vplyvom alkoholu alebo drog, lebo pod vplyvom liekov, nie je dovolené pracovať s nástrojom. Vek prevádzkovateľa je



nastavený v miestnych predpisoch.



POZOR! Alkohol, drogy a niektoré lieky, rovnako ako stav choroby, horúčka a únava znížia rýchlosť reakcie. Nepoužívajte tento nástroj vo vyššie uvedených prípadoch.

Uistite sa, že všetky bezpečnostné zariadenia (ak existujú) sú nainštalované a prevádzkyschopné.

Nepoužívajte nástroj bez bezpečnostných zariadení (ak existujú), alebo ak sú poškodené.

Skontrolujte nástroj na prítomnosť voľných častí (matíc, skrutiek atď) alebo poškodení. Pre zabezpečenie bezpečnej prevádzky tohto nástroja, pravidelne kontroluje, či sú dobre zatahnuté skrutky (ak existujú). Ak je to potrebné, pred použitím nástroja vytvárate ich opravu alebo výmenu. V prípade použitia poškodeného nástroja prevádzkovateľ alebo tretia strana môžu udržať vážne zranenia.

Používajte pre prácu vhodný ochranný odev. Voľné oblečenie, šperky môžu byť zachytené pohyblivými časťami. Vezmite si vhodný ochranný odev. Chráňte svoje nohy a chodidlá od lietania úlomkov. Nepracujte bosí alebo v otvorených sandáloch. Zbierajte dlhé vlasy. Udržujte držadlá a rukoväte čistými a suchými.

Používajte vhodné ochranné prostriedky. Používajte ochranné okuliare a rukavice. Pri práci s práškami, alebo pri emisii výfukových plynov, používajte masku proti prachu. V prípade nutnosti vezmite nesklzé topánky, helmu a ušné vložky. Ak hladina hluku prekračuje 85 dB (A), používajte chrániče sluchu.



POZOR! Používajte osobné ochranné prostriedky! Ochranné pomôcky a OOP poskytujú ochranu pre vaše zdravie a to zdravie ostatných, rovnako ako zabezpečia nepretržitú prevádzku nástroja.

Nespúšťajte nástroj, ak je hore nohami, alebo v neutrálnej polohe.

Počas prevádzky, udržiavajte stabilnú pozíciu. Neustále udržiavajte rovnováhu.

Udržujte čistotu v pracovnej oblasti. Na zaplnených oblastiach vyskytuje sa vysoká úroveň zranenia. Pred použitím nástroja zaberte z pracovnej oblasti všetky cudzie predmety, a tiež vyhnite sa pádu pod nástroj cudzích predmetov počas prevádzky.

Nepreťažujte nástroj.

Používajte nástroj iba za denného svetla alebo pri dobrom umelom osvetlení. Nepoužívajte prístroj za zníženej viditeľnosti.

Nepustite nástroj, nedovoľujte zrážky nástroja s hociakými prekážkami.

VAROVANIE! Bud'te opatrní. Dávajte pozor na prácu. Odvrácajúc sa môžete stratiť kontrolu. Príd'te k práci primerane.

Elektrická bezpečnosť

POZOR! Aby sa zabránilo úrazu elektrickým prúdom, zraneniu osôb alebo požiaru pri použití elektrického náradia je nutné dodržiavať bezpečnostné pokyny. Pred použitím nástroja, prečítajte si pozorne a postupujte podľa týchto pokynov.

Na zlepšenie bezpečnosti, odporúčame použitie zariadenie diferenciálnej ochrany (RCD), vypočítané na vypnutie prúdu nepresahujúce 30 mA. Skontrolujte RCD s každým použitím. Porad'te sa s kvalifikovaným elektrikárom.



POZOR! Použitie RCD alebo nejakého iného prerušovača nezabavuje prevádzkovateľa z povinného preskúmania bezpečnostných pravidiel a bezpečnej metódy práce podľa návodu na prevádzku.

Sieťové napätie musí zodpovedať hodnote uvedenej na štítku alebo v návode. Nepoužívajte iné napájacie zdroje.

Pred pripojením nástroja k sieti, uistite sa, že zásuvka zodpovedá údajom uvedeným na štítku.

Vyhňte sa kontaktu s uzemnenými povrchmi (potrubím, radiátormi, sporákmi a chladničkami). Pri uzemnení cez telo nebezpečenstvo úrazu elektrickým prúdom sa zvyšuje.



VAROVANIE! Aby nedošlo k popáleniu alebo úrazu elektrickým prúdom, nedotýkajte sa vodivých častí.

Neťahajte za kábel pri pohybe nástroja.

Používajte napájací kábel so starostlivosťou. Chráňte kábel pred horúčavou, a vyhnite sa ich kontaktu s mazivami, rovnako ako ostrými predmetmi alebo pohyblivými časťami.

Bud'te opatrní s napájacím káblom.

Nepoužívajte elektrické náradie v blízkosti horľavých kvapalín a horľavých plynov.

Pred prenášaním nástroja na iné miesto, odpojte ho od siete.



VAROVANIE! Nástroj je nutné najprv vypnúť, potom odpojiť z elektrickej zásuvky alebo predlžovacieho kábla.

Nepretlačte predlžovací kábel počas prevádzky nástroja. Nestrácajte kábel zo zreteľa.

Nepripájajte predlžovací kábel priamo na nástroj samostatne. Obráťte sa na najbližšie oficiálne servisné stredisko.

Pri poškodení napájacieho kábla, aby sa zabránilo riziku, má byť nahradený výrobcom alebo jeho zástupcom alebo podobnou kvalifikovanou osobou.

Okamžite vytriahnite zástrčku zo zásuvky, ak je kábel poškodený alebo rezaný.



**POZOR! RIZIKO ÚRAZU
ELEKTRICKÝM PRÚDOM!**

Udržujte pracovné prostredie v čistote. Nepoužívajte elektrické náradie v daždi. Nepoužívajte elektrické náradie vo vlhkom prostredí. Udržujte pracovný priestor v suchosti, umožnite dobré osvetlenie. Chráňte nástroj pred vlhkosťou. Nenechávajte náradie vo voľnej prírode v noci. Keď sa doň dostane voda, zvýši sa riziko úrazu elektrickým prúdom.

Pravidelne a pred každým použitím skontrolujte, či napájací kábel nie je poškodený a opotrebený. Nepoužívajte náradie s poškodeným káblom, obráťte sa na oficiálne servisné stredisko.

Pri práci vonku používajte len určené na tento účel predlžovacie káble s vhodným označením. Vyhnite sa zasahovaniu kábla pod nástroj, chráňte ho od vlhkosti, tepla, vyhnite sa kontaktu s mazivami a horľavými látkami.

Vyhnite sa náhodného spustenia tohto nástroja: pred pripojením prístroja, uistite sa, že váš vypínač (ak existuje) prevedený na pozíciu «off» (vypnutý).

Pred pripojením nástroja odstráňte inštalácie klíny a kľúče.

Nepoužívajte nástroj s nesprávnym vypínačom. Nástroj s nefunkčným hlavným vypínačom je nebezpečný a potrebuje opravu.



POZOR! Niekedy počas prevádzky nástroja môže sa produkovať prach, ktorý obsahuje chemické látky, ktoré spôsobujú rakovinu.

K týmto chemickým látkam patria: olovo v zložení síranov olova, kremeň, ktorý je súčasťou tehál a

cementu, arzén a chróm, obsiahnuté v rezive, spracovanom chemikáliami a iné škodlivé látky. Riziko pôsobenia týchto chemikálií závisí na frekvencii pridružených činností. **Za účelom zníženia ich škodlivých účinkov, pracujte v dobre vetranej miestnosti a používajte schválené OOP masky proti prachu, ktoré sú špeciálne navrhnuté na odfiltrovanie mikroskopických častíc.**

V prípade zasahovania pod nástroj akéhokoľvek cudzieho predmeta, skontrolujte ho na škody a vykonajte potrebné opravy.

V prípade nadmerných vibrácií vypnite nástroj a hneď zistite príčinu. Vibrácia je zvyčajne príznakom poškodenia.

Predtým, než odídete z pracoviska urobiť opravy, revízie a čistenie nástrojov, vypnite ho a počkajte, kým sa nezastaví.

Zakázané je odstraňovať alebo meniť vnútorné časti náradia.

Osobitné pravidlá pre bezpečnosť

- Skontrolujte, či sa prístroje, ktoré sú nainštalované na disk nachádzajú v ideálnom pracovnom stave.
 - Skontrolujte, či je disk správne nainštalovaný.
 - Nepoužívajte disky z rýchlorezovej nástrojovej ocele, ktoré nezodpovedajú technickým podmienkam uvedeným v tomto návode na použitie.
 - Pred začiatkom rezania odstráňte všetky klince a iné kovové predmety z kusa, ktorý máte rezať.
 - Nikdy nezačínajte rezať skôr ako disk nadobudne maximálnu rýchlosť.
 - Cirkulárnu pílu môžete odložiť z pracovného miesta až keď sa disk úplne zastaví.
 - Nikdy sa nepokúšajte zmenšiť rýchlosť disku pritláčaním na jeho bočné strany.
 - Skontrolujte, či priemer výstupku vnútornej príruby zodpovedá vnútornému otvoru disku.
 - Používajte pri práci len ostré disky bez poškodení.
- Disky na ktorých sú praskliny, ohnuté a tupé disky treba hneď vymeniť.
- Smer šípky na disku sa vždy musí zhodovať so smerom šípky na ochrannom kryte disku.
 - Odstraňovanie ochranných nástrojov pred začiatkom práce je prísne zakázané.
 - Pri rezaní kusov malých rozmerov, ktoré sú príliš ľahké na to, aby boli pevné pri vlastnej hmotnosti treba používať upínacie zariadenia (svorky).
 - Rezanie predmetov, ktoré obsahujú azbest nie je dovolené.
 - Pod žiadnymi okolnosťami sa nedotýkajte rukami rezacieho disku, kým sa otáča.
 - Nepracujte s cirkulárkou v polohe nad hlavou.
 - Nedovoľte, aby sa ochranný kryt naplnil pilinami. Ak treba, prerušte prácu a odstráňte nahromadené piliny.



- Držte ruky vzdialené od zóny rezania a od rezacieho disku. Druhá ruku držite na pomocnej páke alebo na základni motora.
- Pri rezaní nikdy nedržte kus v ruke alebo cez nohu.
- Pred každým začiatkom práce zistite, či je ochranný nástroj bezpečne zatvorený.

V prípade džemu disku alebo pri prerušení práce z hoci akých dôvodov, pusťte štartovací nástroj a nechajte pílu úplne zastaviť v kuse, ktorý režete. Nepokúšajte sa vybrať pílu z kusa, ktorý režete alebo poťahovať pílu opačným smerom, až kým sa táto celkom nezastaví – to by mohlo vyvolať spätný úder.

VYBALŔOVANIE

Pri vybalŔovaní skontrolujte, či sú všetky prvky. Pozrite výkresy pre tento návod. V prípade neprítomnosti alebo nesprávnosti ktorejkoľvek časti, obráťte sa na servisné stredisko IVT.

ZAČIATOK PREVÁDZKY

Hodnota napájacieho napätia musí zodpovedať označeniu v popisnom štítku nástroja.

PRIČINY A ZAMEDZOVANIE SPÄTNÉHO ÚDERU

1. K spätnému úderu prichádza pri zaťahovaní disku, pri jeho ohýnaní alebo posúvaní, v dôsledku čoho čepeľ naraz vyskočí z kusa, ktorý režete a pohybuje sa smerom ku pracovníkovi.
2. Ak došlo k džemu disku v reze alebo sa disk pohybuje s prestávkami, stroj rýchlo vracia disk v opačnom smere – ku pracovníkovi.
3. Ak sa disk ohýňa alebo pohybuje v reze, zuby zadnej časti čepele sa môžu zaboriť do horného povrchu dreva, pri čom čepeľ vyskočí z rezu a skáče smerom k pracovníkovi.
4. Spätný úder vzniká v dôsledku nesprávneho použitia stroja a/alebo v dôsledku nedodržavani predpisov a podmienok pre prácu. Aby ste sa vyhli spätnému úderu, je treba dodržiavať nasledujúce bezpečnostné opatrenia:

- Pevne držte pílu oboma rukami, pri čom poloha rúk a tela musí zabezpečiť odpor sile spätného úderu, ktorého silu je možné kontrolovať pri dodržiavani bezpečnostných opatrení.
- Ak došlo k džemu disku alebo ak z nejakého dôvodu musíte prerušiť prácu, pusťte štartovací nástroj, bez toho že by ste pri tom pohybovali disk v kuse, ktorý režete, a počkajte, kým sa disk úplne zastaví.
- Nepokúšajte sa vytiahnuť pílu z kusa, ktorý režete

alebo ju poťahovať opačným smerom, až kým sa úplne nezastaví – to môže vyvolať spätný úder.

- Zistite dôvody džemu píly a odstráňte ich.
- Prepiľovanie vlhkého dreva, dreva čerstvých stromov alebo dreva, ktoré bolo vystavené spracovaniu pod tlakom, si vyžaduje zvláštnu pozornosť, kvôli zamedzovaniu spätného úderu.
- Vyhýbajte sa klincom. Pred začiatkom rezania skontrolujte prítomnosť klinčov a odstráňte ich z dreva.
- Pri novom štartovaní píly v spracovávanom kuse, postavte pílu do stredu rezu tak, aby sa zubami nedotýkala materiálu. Ak je disk zatiahnutý, pri novom štartovaní píly sa môže vrátiť dozadu alebo môže vyskočiť zo spracovávaného materiálu.
- Nedovoľte, aby sa veľké dosky, ktoré režete vo visiacej polohe postavili šikmo. To môže vyvolať džem píly a spätný úder. Dosky veľkých rozmerov môžu visieť pod vlastnou ťarchou. Z každej strany rezu treba postaviť konzoly, tiež aj na koncoch dosky.
- Používanie tupých alebo poškodených diskov nie je dovolené.
- Tupý alebo nesprávne nainštalovaný rezací disk robí príliš úzky rez, čo vyvoláva nadmerné trenie, džem disku a spätný úder.
- Skôr ako začnete rezať materiál skontrolujte, či sú rúčky na regulovanie hĺbky rezu a sklonu disku dobre dotiahnuté a použivateľné. Ladenie disku počas práce môže vyvolať džem disku a spätný úder.
- Používanie píly s príliš veľkou hĺbkou rezu zväčšuje zaťaženie stroja a môže vyvolať ohýnanie disku v reze. To tiež zväčšuje povrch čepele, ktorá sa môže zadzemuovať v prípade zatvárania rezu.
- Pri štvoruhlových rezoch v stenách a druhých objektoch, ktoré sú nedostupné pre vizuálnu kontrolu, zvyšte pozornosť. Časť disku, ktorý višiel z kusa, ktorý sa reže, môže poškodiť iné predmety alebo vyvolať spätný úder.

INŠTALOVANIE A JEMNÉ LADENIE ELEMENTOV DISKU



POZOR! Pred vykonávaním prác na elektrických strojoch, stroj sa musí odpojiť z elektrického prúdu.

Výmena rezacieho disku

1. Postaviť stroj na koniec základne elektromotora.
2. Pridržiavajúc vonkajšiu prírubu (13) pomocou kľúča pre okrúhle matice s otvormi (18), odkrútnite skrutku, ktorá drží disk (12) pomocou vidľového kľúča (18).
3. Posunúť odstrániteľný ochranný prístroj (11) tak aby úplne vošiel do ochrannej základne (4); toto je treba urobiť preto, aby sa voľne mohol vybrať disk (10). **[F1]**

Návod na použitie

4. Vymeniť disk (10). Pri inštalovaní disku (10) zistite či otvor v disku vyhovuje priemeru výstupku vnútornej príruby (20).
5. Vráťte odnímateľný ochranný prístroj (11) do začiatkovej polohy: zuby disku (10) musia byť úplne zatvorené odnímateľným ochranným prístrojom (11).
6. Nainštalujte vonkajšiu prírubu (13) (kanál vonkajšej príruby (13) musí byť v smere disku) a, pridržiavajúc ho pomocou kľúča pre okrúhle matice s otvormy (18), utiahnite skrutku na uťahovanie disku (12) pomocou vidľového kľúča (18). [F2]

VYSÁVANIE PRACHU



Vysávanie prachu znižuje jeho veľké hromadenie na predmete a vo vzduchu, a aj uľahčuje čistenie miestnosti.

V prípade dlhšej práce s drevom alebo pri komerčnom použití nástroja na materiáloch, ktoré vyvolávajú prach škodlivý ľudskému zdraviu, stroj je treba pripojiť na nástroj pre odstraňovanie prachu z miestnosti.

ZAPÍNANIE/VYPÍNANIE [F3]

Zapínanie

Na zapínanie stroja pustiť blokovacie tlačidlo (16) a stlačiť prepínač (3).

Vypínanie

Na vypínanie stroja pustiť prepínač zapnuté/vypnuté (3).

NÁVOD NA POUŽITIE

- Skontrolujte, či je kus dobre utiahnutý. Skontrolujte, či je kus, ktorý spracovávate tvárou otočený smerom dolu, lebo sa v takom prípade dolná časť precíznejšie spracuje.
- Stroj sa musí zapnúť skôr ako sa rezací disk (10) dotkne kusa, ktorý režete. Nepoužívajte príliš veľký tlak: rezanie nie je rýchly proces. Príliš veľký tlak nezrýchli proces rezania, a vyvolá preťaženie stroja.
- Držte nástroj oboma rukami za obe rúčky. Na ten spôsob sa zabezpečuje nevyhnutná kontrola.
- Označenia pre rezanie ukazujú polohu disku (10) pri vykonávaní zvislých rezov, ako aj pri rezaní pod uhlom 45°. Je žiaduce vykonať skúšobné rezanie, aby sa vyhlo chybám pri práci. [F4]

Ladenie hĺbky rezu

Tento elektrický stroj má funkciu pre rovnomernú zmenu hĺbky rezu. Presná hĺbka rezu sa môže získať keď sa stroj postaví tak aby disk (10) vyčnieval mimo krajov materiálu, ktorý sa spracováva asi 3 mm.

1. Uvoľniť uťahovaciu skrutku dorazu hĺbky rezania

(17).

2. Naladiť potrebnú hĺbku rezu, v súlade s označeniami na doraze hĺbky rezu (2).

Dotiahnuť uťahovaciu skrutku na doraze hĺbky rezu (17). [F5]

Ladenie uhla rezu [F6]

Tento elektrický stroj má funkciu pre rovnomernú zmenu uhla rezu v rozsahu od 0° do 45°.

1. Uvoľniť motýľovitú maticu na ladenie uhla rezu (8) a uťahovaciu skrutku opornej dosky (19).
2. Naladiť žiadaný uhol rezu v súlade s označeniami na doraze sklonu základne stroja (6).
3. Uťahnuť doťahovacie skrutky (8) a doťahovaciu skrutku na opornej doske/vodítku dosky (19).
4. Hĺbka rezu sa podľa potreby môže zväčšovať alebo znižovať, dvíhaním alebo spúšťaním opornej dosky (9).

Rezanie pomocou rovnobežného vodítka

Rovnobežné vodítko (14) umožňuje rezanie pozdĺž pravej hrany kusa, ktorý sa reže, ako aj rezanie kusov rovnakej šírky.

1. Uvoľnite doťahovaciu skrutku rovnobežného vodítka (7).
2. Naladte potrebnú šírku rezu v súlade s označeniami na stupnici rovnobežného vodítka (14).

Utiahnite doťahovaciu skrutku na stupnici rovnobežného vodítka (7). [F7]

ÚDRŽBA A SKLADOVANIE



VAROVANIE! Než začnete pracovať s nástrojom, vyberte zástrčku.

- Udržiavajte nástroj a vetracie otvory (ak existujú) v čistote. Pravidelné čistenie a údržba poskytujú vysokú účinnosť a dlhú prevádzku nástroja.
- V prípade poruchy, napriek ideálnym podmienkam pre výrobu a skúšanie, opravy by mali byť vykonávané v oficiálnom servisnom stredisku IVT.
- Všetky matice a skrutky by mali byť dotiahnuté.
- Vymeňte poškodené alebo opotrebované diely.
- Používajte len originálne náhradné diely. Diely iných výrobcov priliehajú voľne, a zvyšujú riziko úrazu.
- Uchovávajte nástroj v suchom mieste, neprístupnom deťom, v bezpečnej vzdialenosti od horľavých materiálov.
- Vyvarujte sa vody na nástroje!

CARACTERISTICA INSTRUMENTULUI

Model	CS-185-RC
Tensiune ~ Frecvența [V ~ Hz]	230 ~ 50
Putere nominală [W]	1400
Viteza de rotație în regim de ralanti [rpm]	5500
Diametru disc de tăiat Ø [mm]	185
Diametru orificiu disc de tăiat Ø [mm]	25.4
Grosime disc de tăiat [mm]	1.2
Max. adâncime de tăiere la 45° [mm]	62
Max. adâncime de tăiere la 90° [mm]	45
Masa [kg]	4.5
Clasa de siguranță	II

LISTA PIESELO

1. Orificiu de extracție a prafului
2. Limitator adâncime de tăiere
3. Întrerupător On/Off
4. Garda de protecție a discului de tăiat
5. Mâner auxiliar
6. Limitator înclinare carcasă
7. Șurub de fixare al ghidului paralel
8. Șurub fluture pentru reglarea unghiului
9. Placa de bază
10. Disc de tăiat
11. Garda de protecție mobilă
12. Bulon de fixare a discului de tăiat
13. Flanșă exterioară
14. Ghid paralel
15. Găuri de ventilație
16. Buton de blocare
17. Șurub de fixare limitator adâncime de tăiere
18. Cheie de piulițe
19. Șurub de fixare a plăcii de bază
20. Flanșa interioară

CONȚINUTUL CUTIEI

Instrucțiuni de exploatare (1 buc.), ghid paralel (1 buc.), cheie pentru piuliță (1 buc.), mâner auxiliar (1 buc.), set de perii din fibră de carbon (1 buc.).

DESTINAȚIA

Acest model de ferăstrău circular poate fi folosit pentru tăierea pieselor din lemn. Unealta este potrivită numai pentru dreptaci.

TEHNICA DE SECURITATE ÎN TIMPUL EXPLOATĂRII

Normele generale de securitate

Următoarele instrucțiuni ale tehnicii de securitate Vă vor ajuta să utilizați instrumentul și să Vă asigurați propria securitate. De aceea acestea trebuie citite cu atenție.

În cazul transmiterii instrumentului se vor transmite și instrucțiunile tehnicii de securitate.

Păstrați aceste instrucțiuni și altă literatură, inclusă în setul de livrare.

Respectați tehnica de securitate și avertismentele cu privire la instrument.

Înainte de a utiliza instrumentul, familiarizați-vă cu părțile de manipulare a acestuia, dar, mai întâi de toate, familiarizați-vă cu modalitățile de oprire urgentă.

Urmați aceste instrucțiuni simple pentru a menține instrumentul în stare bună.

Înainte de utilizare, instrumentul trebuie să fie asamblat corect.

Folosii instrumentul doar în scopurile prevăzute.

Pe lângă aceasta, instrumentul poate avea etichete de avertizare și instrucțiuni de utilizare a dispozitivelor de siguranță care ar trebui să fie luate în considerație.

Atenția, abordarea rezonabilă a lucrului și pregătirea persoanelor, implicate în exploatarea, transportarea, întreținerea și păstrarea instrumentului vor preveni accidentele.

Nu lăsați instrumentul fără supraveghere.

Nu lăsați instrumentul la îndemâna copiilor. Nu permiteți copiilor să se joace cu instrumentul.

Nu permiteți copiilor și animalelor să se afle în apropierea instrumentului. Persoanele străine trebuie să se afle la o distanță sigură de instrumentul în acțiune.

În timpul lucrului cu instrumentul utilizatorul este responsabil pentru părțile terțe.



Persoanelor, care nu sunt familiarizate cu instrucțiunile de utilizare, copiilor, minorilor care nu au atins vârsta, care permite utilizarea instrumentului, precum și persoanelor, care sunt în stare de ebrietate sau drogate sau sub influența medicamentelor, nu li se permite să lucreze cu instrumentul. Vârsta operatorului este stabilită în actele normative locale.



ATENȚIE! Alcoolul, anumite medicamente și droguri, precum și starea de boală, febra și oboseala reduc viteza reacției. Nu utilizați acest instrument în cazurile menționate mai sus.

Asigurați-vă că toate dispozitivele de siguranță (dacă există) sunt instalate și sunt gata pentru exploatare.

Nu folosiți instrumentul fără dispozitive de siguranță (dacă există) sau dacă acestea sunt deteriorate.

Inspectați instrumentul pentru a afla dacă sunt piese nefixate (piulițe, bolțuri, șuruburi etc.) sau defecțiuni. Pentru a asigura funcționarea sigură a instrumentului, verificați periodic dacă șuruburile și bolțurile sunt bine înșurubate (dacă există). Dacă este necesar, înainte de a utiliza instrumentul, reparați-l sau înlocuiți-l. În cazul utilizării instrumentului deteriorat, operatorul sau persoana străină poate fi grav rănită.

În decursul lucrului folosiți haine speciale. Îmbrăcămintea largă, bijuteriile pot fi aninate de piesele aflate în mișcare. Îmbrăcați haine speciale. protejați-vă picioarele și călcăiele de moloz îndepărtat. Nu lucrați desculț sau în sandale deschise. Prindeți părul lung după spate.

Păstrați mâinile și brațele curate și uscate.

Folosiți dispozitivele corespunzătoare de protecție. Purtați ochelari și mănuși de protecție. Când lucrați cu prafuri sau în cazul emisiilor de gaze, utilizați o mască de praf. Dacă este necesar, purtați încălțăminte care nu alunecă, o cască și antifoane. În cazul în care nivelul zgomotului depășește 85 dB (A), folosiți neapărat antifoane.



ATENȚIE! Utilizați mijloace de protecție individuală! Dispozitivele de protecție și MPI asigură protecția sănătății Dvs. și a celor care Vă înconjoară, precum și asigură funcționarea neîntreruptă a instrumentului.

Nu puneți în funcțiune instrumentul dacă acesta este răsturnat sau se află într-o poziție necorespunzătoare funcționării.

În timpul funcționării păstrați poziția stabilă. Păstrați

echilibrul constant.

Păstrați curățenia în zona de lucru. În zonele aglomerate se observă un nivel ridicat de accidente. Înainte de a utiliza instrumentul, îndepărtați din zona de lucru toate obiectele străine și evitați nimerirea obiectelor străine sub instrument în timpul funcționării.

Nu supraîncărcați instrumentul.

Folosiți instrumentul doar la lumina zilei sau artificială puternică. Nu utilizați instrumentul în condiții precare de vizibilitate.

Nu scăpați instrumentul, nu permiteți coliziunea acestuia cu orice obstacole.

ATENȚIE! Fiți atenți. Aveți grijă în timpul funcționării instrumentului. Dacă Vă sustrageți atenția, puteți pierde controlul. Lucrați în mod rezonabil.

Instrucțiunile securității electrice

ATENȚIE! În scopul prevenirii pericolului de a primi șoc electric, vătămări corporale sau incendieri în timpul utilizării instrumentelor electrice este necesar să urmați următoarele instrucțiuni de siguranță. Înainte de a utiliza instrumentul, citiți cu atenție și respectați următoarele instrucțiuni.

Pentru a spori nivelul de securitate, Vă recomandăm să folosiți dispozitivul de protecție diferențială (RCD), destinat pentru oprirea curentului electric nu mai mult de 30 mA. Verificați RCD la fiecare utilizare. Consultați un electrician calificat.



ATENȚIE! Utilizarea RCD sau a altui întrerupător nu exonerează operatorul de la revizuirea obligatorie a regulilor tehnicii de securitate și metodelor de lucru sigur specificate în instrucțiunile date.

Tensiunea rețelei trebuie să corespundă valorii specificate pe etichetă sau în instrucțiuni. Nu utilizați alte surse de energie.

Înainte de conectarea instrumentului la rețea, asigurați-vă că priza corespunde datelor specificate pe etichetă. Evitați contactul cu suprafețele la pământ (țevi, radiatoare, baterii și frigoriifer). În cazul prizei de pământ prin corp riscul de șoc electric este mai mare.



ATENȚIE! Pentru a preveni arsurile sau șocul electric, nu atingeți părțile conductoare.

Nu trageți cablul de alimentare când deplasați instrumentul.

Folosiți cablul de alimentare cu atenție. Protejați cablul de căldură, evitați contactul cu lubrifianți, precum și cu obiecte ascuțite sau părțile mobile.

Fiți atenți cu cablul de alimentare.

Nu folosiți instrumentele electrice în apropierea lichidelor și gazelor ușor inflamabile.

Înainte de a deplasa instrumentul în alt loc, deconectați-l de la rețea.



ATENȚIE! Instrumentul trebuie mai întâi oprit, și apoi deconectat de la priza electrică sau prelungitor.

Nu aninați prelungitorul în timpul operării instrumentului. Nu pierdeți cablul din vedere.

Nu conectați de sine stătător prelungitorul direct la instrument. Contactați cel mai apropiat centru oficial de deservire.

Dacă avaria cablul de alimentare pentru a evita riscul ar trebui să fie înlocuit de către producător sau de agentul său, sau o persoană calificată în mod similar.

Scoateți imediat ștecherul din priză, în cazul în care cablul este deteriorat sau tăiat.



ATENȚIE! PERICOLUL DE AFECTARE CU ȘOCUL ELECTRIC!

Aveți grijă de mediul de lucru. Nu folosiți instrumentele electrice în timpul ploii. Nu folosiți instrumentele electrice în încăperile umede. Păstrați zona de lucru în stare uscată, asigurați iluminare bună. Protejați instrumentul de umiditate. Nu lăsați instrumentele în aer liber pe timp de noapte. În cazul nimeririi apei în instrumentul electric, crește riscul șocului electric.

Verificați în mod regulat și de fiecare dată înainte de utilizare cablul de alimentare pentru a depista daune și semne de uzură. Nu folosiți instrumentul cu cablu deteriorat; apelați la centrul oficial de deservire.

Când lucrați în aer liber, utilizați doar prelungitoarele destinate pentru acest scop cu etichetă corespunzătoare.

Evitați nimerirea cablului sub instrument, nu-l expuneți umidității, căldurii, evitați contactul cu lubrifianți și substanțe ușor inflamabile.

Evitați pornirea accidentală a instrumentului: înainte de a conecta instrumentul la rețea, asigurați-vă că întrerupătorul (dacă este cazul) este transferat în poziția «off» (decon.).

Înainte de a deconecta instrumentul, eliminați penele și

cheile de instalare.

Nu folosiți instrumentul cu întrerupător defectat. Instrumentul cu întrerupătorul defectat prezintă pericol și trebuie reparat.



ATENȚIE! Uneori, în timpul funcționării instrumentelor electrice se produce praf, care conține substanțe chimice care cauzează cancer.

Aceste substanțe chimice includ: plumb în compoziția vopselei de plumb, dioxid de siliciu, component al cărămizii și cimentului, arsenic și crom conținute în lemn, prelucrate cu produse chimice și alte substanțe nocive. Riscul impactului acestor substanțe chimice depinde de frecvența activităților asociate cu acestea.

Pentru a reduce impactul lor nociv, lucrați într-o zonă bine aerisită și utilizați MPI aprobate, cum ar fi, măști de praf special elaborate pentru a filtra particulele microscopice.

În cazul nimeririi sub instrument a unui obiect străin, inspectați-l dacă acesta prezintă daune și efectuați reparația necesară.

În cazul vibrației excesive deconectați instrumentul și imediat aflați cauza. Vibrația este de obicei un semn al deteriorării instrumentului.

Înainte de a pleca de la locul de muncă, efectuați reparația, inspecția sau curățarea instrumentului, opriți-l și așteptați oprirea lui completă.

Nu îndepărtați sau schimbați piesele interne.

Regulile speciale ale tehnicii de securitate

- Asigurați-vă că toate dispozitivele instalate pe discul de tăiat, sunt în perfectă stare de funcționare.
- Asigurați-vă că discul de tăiere este montat corect.
- Nu utilizați discuri din oțel instrumental care nu îndeplinesc specificațiile menționate în acest manual.
- Înainte de a tăia cu ferăstrăul, îndepărtați toate cuiele și alte obiecte metalice din piesa de prelucrat.
- Niciodată nu începeți tăierea dacă discul de tăiat nu a atins viteza maximă.
- Ferăstrăul circular poate fi îndepărtat de la locul de muncă numai după deconectare de la rețea și oprirea discului de tăiat.
- Nu încercați niciodată să încetiniți viteza discului de tăiat prin exercitarea presiunii pe partea lui laterală.
- Asigurați-vă că diametrul interior al protruziei flanșei interioare corespunde găurii discului de tăiat.
- Utilizați numai discurile de tăiat ascuțite, fără defecte. Înlocuiți imediat discurile de tăiat cu crăpături, îndoite sau tocite.
- Direcția săgeții de pe discul de tăiat trebuie să corespundă cu direcția săgeții pe carcasa protectoare



a ferăstrăului circular.

- Demontarea dispozitivelor de protecție a ferăstrăului circular înainte de tăiere este interzisă.
- În cazul tăierii pieselor de lemn de dimensiuni mici, care sunt prea ușoare pentru a fi fixate sigur sub propria greutate, este necesar de utilizat dispozitive de prindere.
- Tăierea pieselor care conțin azbest este interzisă.
- În nici un caz nu atingeți discul de tăiere cu mâinile în timp ce se rotește.
- Nu lucrați cu ferăstrăul circular deasupra capului.
- Nu blocați garda mobilă de protecție, nu permiteți să se înfunde cu rumeguș. Dacă este necesar, opriți ferăstrăul circular și nu reluați lucrul până nu eliminați defecțiunea.
- Țineți mâinile la distanță de zona de tăiere și discul de tăiat. Țineți cealaltă mână pe mânerul auxiliar sau carcasa motorului.
- În momentul tăierii piesei nu o țineți în mâini sau peste picior. Piesa trebuie să fie fixată pe o platformă stabilă.
- Verificați închiderea corectă a dispozitivului de protecție înainte de fiecare utilizare.

În cazul blocării discului de tăiat sau dacă tăierea se întrerupe din orice motiv, eliberați dispozitivul de declanșare și țineți ferăstrăul nemișcat în material până când discul de tăiat va ajunge la oprire completă. Nu încercați să scoateți ferăstrăul din piesa prelucrată sau să îl trageți în direcție opusă în timp ce discul se află în mișcare – aceasta poate cauza recul.

DESPACHETAREA

În timpul despachetării produsului, verificați prezența tuturor elementelor. Vedeți imaginile acestui manual de exploatare. În cazul absenței sau defectării unor detalii, contactați centrul de deservire IVT.

ÎNCEPEREA EXPLOATĂRII

Valoarea tensiunii de alimentare trebuie să corespundă datelor din pașaport ale instrumentului indicate în tabel.

CAUZELE RECOLULUI ȘI PREVENIREA ACESTUIA

1. Reculul este cauzat de strângerea, îndoirea sau mișcarea din loc a discului de tăiat, ce poate aduce la ieșirea de sub control a frezei, iar piesa prelucrată poate sări în direcția operatorului.
2. În cazul în care discul de tăiat este blocat sau strâns în tăietură sau, dimpotrivă, tăietura este prea largă, discul de tăiat începe să pulseze, iar unealta este

trasă rapid înapoi spre operator.

3. În cazul în care discul de tăiat se îndoiaie sau se strămută în tăietură, dinții de pe marginea din spate a lamei se pot înfunda în suprafața de sus a lemnului; în cazul acesta, lama iese din tăietură și sare în direcția operatorului.

4. Recul – rezultat al utilizării necorespunzătoare a unelei și/sau a nerespectării regulilor și condițiilor de exploatare. Pentru a evita reculul, este necesar de respectat următoarele măsuri de precauție:

- Țineți bine unealta cu ambele mâini, iar poziția mâinilor trebuie să asigure rezistență forței de recul. Ea poate fi controlată cu ajutorul măsurilor de precauție corespunzătoare.
- În cazul în care discul de tăiat s-a blocat sau dacă aveți nevoie să opriți lucrul, eliberați dispozitivul de declanșare fără a muta ferăstrăul în material și lăsând discul de tăiat să se oprească complet.
- Nu încercați să scoateți ferăstrăul din piesa prelucrată sau să trageți ferăstrăul în direcție opusă – aceasta poate cauza recul.
- Investigați motivele fixării discului de tăiat în ferăstrău și înlăturați cauza.
- Atunci când tăiați lemn umed, cherestea din copaci proaspăt tăiați sau procesați sub presiune este necesar să fiți foarte atenți pentru a evita reculul.
- Evitați tăierea cuielor. Verificați prezența cuielor și înlăturați toate cuiile din lemn înainte de a începe tăierea.
- La repornirea ferăstrăului în piesa prelucrată, amplasati ferăstrăul în mijlocul tăieturii și verificați ca dinții să nu se atingă de material. Dacă discul de tăiat este prins, la repornirea unelei ea se poate mișca înapoi sau sări din piesa prelucrată.
- Sprijiniți panourile de mari dimensiuni pentru a minimiza riscul de înțepenire a discului de tăiat și recul. Aveți în vedere, că panourile mari tind să se deformeze sub propria greutate. Instalați suporturi sub panou pe ambele părți – alături de linia de tăiere și la marginea panoului de pe cealaltă parte.
- Folosirea discurilor de tăiat prost ascuțite sau deteriorate nu se permite.
- Discul de tăiat neascuțit sau instalat incorect face o tăietură prea îngustă, care cauzează frecare excesivă, blocajul discului de tăiat și recul.
- Înainte de a face tăietura, asigurați-vă că manetele de reglare a adâncimii tăierii și unghiului de înclinare a discului de tăiat sunt strânse și bine fixate. Schimbarea reglajului discului de tăiat în timpul tăierii poate cauza înțepenire și recul.
- Folosirea ferăstrăului cus o adâncime excesivă a tăierii mărește sarcina pe unealtă și susceptibilitatea la răsucirea pânzei în tăietură. De asemenea, aceasta majorează aria suprafeței care este supusă strângerii în

cazul închiderii tăieturii.

· Aveți mare grijă la efectuarea tăieturilor dreptunghiulare în pereți și alte obiecte, unde există zone oarbe. Partea proeminentă a discului de tăiat poate tăia obiecte, care pot provoca recul.

MONTAREA ȘI REGLAREA ELEMENTELORDISCVULUI DE TĂIAT



ATENȚIE! Înainte de a efectua orice lucrări pe unealta electrică, ea trebuie să fie deconectată de la rețea.

Înlocuirea discului de tăiat

1. Plasăți unealta pe marginea carcsei motorului electric.
2. Ținând flanșa exterioră (13) cu ajutorul cheii pentru piulițe cu orificii (18), deșurubați bulonul de fixare a discului de tăiat (12) cu ajutorul cheii de piulițe.
3. Mutați dispozitivul mobil de protecție (11) astfel, încât el să intre complet în garda de protecție (4), aceasta este necesar pentru a scoate cu ușurință discul de tăiat (10). [F1]
4. Înlocuiți discul de tăiat (10). La instalarea discului de tăiat (10) asigurați-vă că diametrul orificiului în disc corespunde diametrului protruziei a flanșei interioare (20).
5. Mutați garda mobilă de protecție (11) în poziția inițială: dinții discului (10) trebuie să fie complet acoperite cu dispozitivul mobil de protecție (11).
6. Instalați flanșa exterioră (13) (canelura de pe flanșa exterioră (13) trebuie să fie aranjată în direcția discului de tăiat) și, ținându-l cu ajutorul cheii pentru piulițe rotunde cu orificii (18), strângeți bulonul de fixare a discului de tăiat (12) cu ajutorul cheii pentru piulițe (18). [F2]

EVACUAREA PRAFULUI



Evacuarea prafului previne acumularea cantităților mari de praf, inclusiv în aerul înconjurător, precum și facilitează mult curățarea.

În cazul lucrului îndelungat cu lemnul sau folosirii unelei în scopuri comerciale pentru tăierea materialelor care produc praf dăunător pentru sănătate, este necesar să conectați unealta la un dispozitiv extern corespunzător pentru evacuarea prafului.

PORNIRE ȘI OPRIRE [F3]

Pornire

Pentru a porni aparatul, apăsați și țineți apăsat butonul de blocare (16) și apăsați pe întrerupător (3).

Oprire

Pentru a opri mașina, eliberați întrerupătorul On/Off (3).

INSTRUCȚIUNI DE EXPLOATARE

- Asigurați-vă că piesa de prelucrat este bine fixată. Vă rugăm să vă asigurați, că piesa prelucrată este poziționată cu fața în jos, deoarece în acest caz marginea de jos va fi prelucrată cu mai multă precizie.
- Unealta trebuie pornită până la momentul, când discul de tăiat (10) va atinge piesa de prelucrat. Nu aplicați o presiune prea mare: tăierea nu este un proces rapid. Aplicarea presiunii excesive nu va accelera lucrul și va conduce la supraîncărcarea unelei.
- Țineți unealta electrică cu ambele mâini de ambele părți. Astfel se asigură controlul necesar asupra aparatului.
- Semnele pentru tăiat indică poziția discului de tăiat (10) la efectuarea tăieturilor verticale, precum și a tăieturilor la un unghi de 45°. Este recomandat să efectuați o tăietură de probă pentru a evita comiterea de erori în procesul lucrului. [F4]

Setarea adâncimii de tăiere

Această unealtă electrică permite reglarea lină a adâncimii de tăiere. Tăierea exactă este posibilă în cazul în care discul de tăiat (10) este amplasat în așa fel, încât să iasă peste marginea materialului aproximativ cu 3 mm.

1. Slăbiți șurubul de fixare a limitatorului de adâncime a tăierii (17).
2. Stabiliți adâncimea de tăiere dorită în conformitate cu semnul pe limitatorul de adâncime a tăierii (2).

Strângeți șurubul de fixare a limitatorului de adâncime a tăierii (17). [F5]

Ajustarea unghiului de tăiere [F6]

Această unealtă electrică permite ajustarea continuă a unghiului de tăiere de la 0° la 45°.

1. Slăbiți șurubul fluture pentru a ajusta unghiul de tăiere (8) și șurubul de fixare a plăcii de bază (19).
2. Setăți unghiul de tăiere dorit în conformitate cu semnul pe limitatorul înclinării carcsei (6).
3. Strângeți șuruburile de fixare (8) și șurubul de fixare pe placa de bază/placa de ghidare (19).
4. Dacă este necesar, puteți mări sau micșora adâncimea de tăiere prin ridicarea sau coborârea plăcii de bază (9).

ĮRANKIO CHARAKTERISTIKA

Modelis	CS-185-RC
Įtampa ~ dažnis [V~Gz]	230 ~ 50
Nominalus galingumas [W]	1400
Tuščiosios eigos sukimosi dažnis [aps./min]	5500
Pjovimo disko skersmuo Ø [mm]	185
Pjovimo disko skylės skersmuo Ø [mm]	25.4
Pjovimo disko storis [mm]	1.2
Maksimalus pjovimo gylis esant 45° [mm]	62
Maksimalus pjovimo gylis esant 90° [mm]	45
Svoris [kg]	4.5
Saugumo klasė	II

DETALIŲ SĄRAŠAS

1. Dulkių nušalinimo anga
2. Pjovimo gylio ribotuvas
3. Jungiklis „įjungta/išjungta“
4. Pjovimo disko apsauginis gaubtas
5. Papildoma rankena
6. Korpuso pokrypio ribotuvas
7. Lygiagretės atramos gnybto sraigtas
8. Kampų reguliavimo nykščio varžtas
9. Atraminė plokštelė
10. Pjovimo diskas
11. Slenkamoji apsauga
12. Pjovimo disko tvirtinimo varžtas
13. Išorinė jungė
14. Lygiagretė atspara
15. Ventiliacinės angos
16. Blokavimo mygtukas
17. Pjovimo gylio ribotuvo gnybto sraigtas
18. Veržliaraktis
19. Atraminės plokštelės gnybto sraigtas
20. Vidinė jungė

DĖŽES TURINYS

Naudojimo instrukcija (1 vnt.), lygiagretė atspara (1 vnt.), veržliaraktis (1 vnt.), papildoma rankena (1 vnt.), anglinių šepečių rinkinys (1 vnt.).

PASKIRTYS

Šį diskinio pjūklo modelį galima naudoti medienos ruošinių pjovimui. Įrankis tinka tik dešiniapusiam naudojimui.

NAUDOJIMOSI SAUGA

Bendros saugos taisyklės

Toliau pateikiamos saugos instrukcijos padės jums teisingai naudotis įrankiu ir užtikrinti jūsų pačių saugumą. Dėl šių priežasčių jas reikia perskaityti įdėmiai.

Perduodami įranki trečiajam asmeniui, perduokite jam ir šias saugos instrukcijas.

Saugokite šią instrukciją bei kitą, įeinančią į komplektą, literatūrą.

Vadovaukitės saugos instrukcijomis bei esančiais ant įrankio įspėjimais.

Prieš pradėdami darbą, susipažinkite su įrankio valdymo elementais, bet prieš tai susipažinkite su skubiais jo sustabdymo būdais.

Šių paprastų instrukcijų paisymas padės palaikyti jūsų įrankio darbingumą.

Prieš naudojimą įrankį būtina teisingai surinkti.

Įrankį naudokite tik pagal paskirtį.

Be to, ant įrankio gali būti įspėjamieji įrašai ir nurodymai dėl apsaugos priemonių naudojimo, su kuriais reikia susipažinti. Išvengti nelaimingų atsitikimų padės dėmesingumas, protingas požiūris į darbą bei atitinkama asmenų, naudojančių, transportuojančių aptarnaujančių ir laikančių įrankį, kvalifikacija.

Nepalikite įrankio be priežiūros.

Neleiskite vaikams naudotis įrankiu. Neleiskite vaikams žaisti su įrankiu.

Neleiskite vaikams ir gyvūnams būti šalia įrankio. Pašaliniai asmenys turi laikytis saugaus atstumo nuo veikiančio įrankio.

Dirbdamas, naudojantis įrankį asmuo atsako už trečiuosius asmenis.

Žmonės, kurie nėra susipažinę su naudojimo instrukcijomis, vaikai, nepasiekę amžiaus, kuriame leidžiama naudotis įrankiu, o taip pat apgirtę arba apkvišę nuo narkotikų, vaistų asmenys negali naudotis



įrankiu. Naudotojo amžius nustatomas vietinių normos aktų.

Nenumeskite įrankio, neleiskite jam susidurti su kokiomis nors kliūtimis.



DĖMESIO! Alkoholis, kai kurie vaistai ir narkotinės medžiagos, bloga savijauta, aukšta temperatūra ir nuovargis mažina reakcijos greitį. Nesinaudokite šiuo įrankiu aukščiaiu nurodytais atvejais.

ATSARGIAI Būkite dėmesingi. Stebėkite darbą. Praradus dėmesį galima neteikti valdymo. Žiūrėkite į darbą atsakingai.

Elektros saugos taisyklės

Įsitikinkite, jos visos apsaugos priemonės (jei tokios yra) įrengtos ir tinkančios naudoti.

DĖMESIO Siekiant išvengti elektros smūgio, asmeninės žalos arba gaisro, elektrinio įrankio naudojimo metu būtina laikytis sekančių saugos instrukcijų. Prieš pradėdami darbą įdėmiai perskaitykite ir griežtai laikykitės šių instrukcijų.

Nenaudokite įrankio be apsaugos priemonių (jei tokios yra) arba jei jos pažeistos.

Norėdami pakelti saugumo lygį, naudokite diferencialinės apsaugos priemonę (RCD), skirtą elektros srovei iki 30mA. Kiekvieną kartą naudodami įrankį tikrinkite RCD. Kreipkitės į kvalifikuotą elektriką.

Apžiūrėkite įrankį, kad nebūtų nepritvirtintų detalių (veržlių, varžtų, sraigčių ir t.t.) arba pažeidimų. Norėdami užtikrinti saugų įrankio naudojimą, laikas nuo laiko patikrinkite, ar gerai užveržti varžtai ir sraigčiai (jeigu tokie yra). Susidarius būtinybei, pataisykite arba pakeiskite juos prieš naudodami įrankį. Naudojant pažeistą įrankį, operatorius arba aplinkiniai gali smarkiai nukentėti.



DĖMESIO! RCD arba kito nutraukėjo naudojimas neatleidžia operatoriaus nuo būtinos pažinties su saugumo technikos taisyklėmis ir nurodytomis šioje instrukcijoje saugaus darbo priemonėmis.

Dirbkite atitinkamai apsirengę. Laisvi rūbai, papuošalai gali būti įtraukti judančių įrankio dalių. Apsirenkite atitinkamus specialius rūbus. Apsaugokite kojas ir pėdas nuo skrendančių atliekų. Nedirbkite basi arba atvira avalyne. Susiriškite ilgus plaukus už nugaros.

Palaikykite rankenų ir rankenėlių švarą ir sausumą. Naudokite atitinkamas apsaugos priemones. Naudokite apsauginius akinius ir pirštines. Darbu su milteliais arba susidarant išmetamosioms dujoms naudokite respiratorių nuo dulkių. Esant būtinybei, apsiaukite neslystančią avalynę, užsidėkite apsauginį šalną ir įsidėkite ausų kištukus. Jeigu triukšmo lygis viršija 85 dB (A), būtinai naudokite apsaugines ausines.

Įtampa tinkle turi sutapti su nurodytu etiketėje ir instrukcijoje. Nenaudokite kitų maitinimo šaltinių.

Prieš įjungdami įrankį į tinklą įsitikinkite, jos lizdas atitinka reikšmes etiketėje.

Venkite kontaktų su įžemintais paviršiais (vamzdžiai, radiatoriai, baterijos ir refrižeratoriai). Dėl įžeminimo elektros smūgio per kūną rizika didėja.



DĖMESIO! Naudokite individualiosios apsaugos priemones! Apsaugos priemonės ir IAP užtikrina jūsų ir aplinkinių sveikatos apsaugą, o taip pat garantuoja pastovų įrankio darbą.



ATSARGIAI! Siekdami išvengti nudegimo arba elektros smūgio nesilieskite prie laidžių elektrai detalių.

Nepradėkite naudoti įrankio, jeigu jis apsuktas arba užima nedarbinę padėtį.

Netraukite įrankio už laido.

Dirbdami, išlaikykite stabilia kūno padėtį. Pastoviai palaikykite pusiausvyrą.

Su laidu elkitės atsargiai. Saugokite laidą nuo šilumos poveikio, venkite jo kontakto su tepalinėmis medžiagomis, aštriais daiktais arba judančiomis dalimis. Būkite atsargus su laidu.

Palaikykite švarą darbo vietoje. Užgrūstose vietose pažymimas aukštas traumų lygis. Prieš naudodami įrankį, pašalinkite iš darbo vietos teritorijos visus pašalinius daiktus, o taipogi stebėkite, jog pašaliniai daiktai nepakliūtų po įrankiu darbo metu. Neperkraukite įrankio.

Nenaudokite elektros prietaisų šalia lengvai užsidegančių medžiagų ir degių dujų.

Naudokite įrankį tik dienos metu arba gerai apšviestose vietose. Nenaudokite įrankio, jeigu matomumas blogas.

Prieš pernešdami įrankį kitur, išjunkite jį iš elektros tinklo.





ATSARGIAI! Įrankį būtina pirmiausia išjungti, o tik po to atjungti nuo elektros tinklo arba ilgintuvo.

Neužspauskite ilgintuvo darbo metu. Stebkite laidą. Nejunkite ilgintuvą tiesiogiai prie įrankio savarankiškai. Kreipkitės į artimiausią oficialų aptarnavimo centrą. Siekiant išvengti pavojaus, maitinimo laido pažeidimo atveju jį turi pakeisti gamintojas arba jo atstovas, kitas kvalifikuotas specialistas. Nedelsiant ištraukite kištuką iš elektros maitinimo lizdo, jeigu laidas pažeistas arba perpjautas.



DĖMESIO! NUTRENKIMO ELEKTRA PAVOJUS!

Stebėkite darbo aplinką. Nenaudokite elektros įrankių lietaus metu. Nenaudokite elektros įrankių drėgnose patalpose. Palaikykite darbo vietą sausą, aprūpinkite gerą apšvietimą. Saugokite įrankį nuo drėgmės. Nepalikite įrankio lauke nakčiai. Vandens patekimas į elektros įrankį padidina nutrenkimo elektra riziką.

Reguliariai ir prieš kiekvieną panaudojimą tikrinkite maitinimo laido būklę, kad nebūtų pažeidimų ir susidėvėjimo žymių. Nenaudokite įrankio, jeigu laidas pažeistas; kreipkitės į oficialų aptarnavimo centrą. Dirbdami lauke naudokite tik skirtus tokiam darbui ilgintuvus su atitinkamomis žymėmis. Venkite laido patekimo po įrankiu, saugokite jį nuo drėgmės, šilumos poveikio, venkite kontakto su tepalinėmis ir lengvai užsidedančiomis medžiagomis. Venkite atsitiktinio įrankio įsijungimo: prieš įjunkdami, įsitikinkite, jog jungiklis (jeigu yra) nustatytas «OFF» padėtyje (išj.). Prieš įjunkdami įrankį, pašalinkite įrengimo tarpus ir raktus. Nenaudokite įrankio su netvarkingu jungikliu. Įrankis su netvarkingu jungikliu yra pavojingas ir reikalauja remonto.



DĖMESIO! Kartais darbo elektriniais įrankiais metu susidaro dulkės, kuriose yra sukeliančių vėžį cheminių medžiagų.

Prie tokių medžiagų priskiriami: švinas šviniųjų dažų sudėtyje, kvarcas plytose ir cemente, arsenas ir chromas tašuose, paveiktuose cheminių reagentų, ir kitos kenksmingos medžiagos. Cheminių medžiagų poveikio rizika priklauso nuo susijusio su jomis darbo

dažnumo. **Norėdami sumažinti jų kenksmingą poveikį, dirbkite gerai vėdinamuose patalpose ir naudokite patvirtintas IAP, pavyzdžiui, respiratorius nuo dulkių, sukurtus specialiai mikroskopinių dalelių atskirumui.**

Pašalinio daikto patekimo po įrankiu atveju apžiūrėkite, ar nėra pažeidimų ir atlikite būtiną remontą. Atsiradus perdėtai vibracijai išjunkite įrankį ir nedelsiant išsiaiškinkite priežastį. Įprastai vibracija parodo pažeidimą. Prieš palikdami darbo vietą, atlikite įrankio remontą, apžiūrą arba valymą, išjunkite jį ir sulaukite visiško sustojimo. Draudžiama išimti arba keisti vidines įrankio dalis.

Ypatingos saugumo technikos taisyklės

- Įsitikinkite, ar visi pjovimo disko įtaisai yra idealios darbinės būklės.
- Įsitikinkite, ar pjovimo diskas teisingai įtaisytas.
- Nenaudokite diskų iš greitapjovio instrumentinio plieno, kurie neatitinka techninių sąlygų, nurodytų šioje eksploataavimo instrukcijoje.
- Prieš pjaustymą pašalinkite iš ruošinio vinis ir kitus metalinius daiktus.
- Niekada nepradėkite pjovimo, kol pjovimo diskas neišvystė maksimalaus greičio.
- Diskinį pjūklą galima pašalinti iš darbo vietos tik po išjungimo ir pjovimo disko susistabdymo.
- Niekada nebandykite sumažinti pjovimo disko greičio spaudžiant jo šoną.
- Įsitikinkite, kad vidaus jungės iškyšos diametras atitinka pjovimo disko vidinės skylės.
- Darbi naudokite tik aštrius pjovimo diskus be trūkumų. Nedelsiant keiskite įtrūkusius, įlenktus arba neaštrius pjovimo diskus.
- Rodyklės kryptis ant pjovimo disko visada turi sutapti su diskinio pjūklo rodyklės kryptimi ant apsauginio gaubto.
- Draudžiama nuimti diskinio pjūklo apsauginius įtaisus prieš pjaunant.
- Pjaunant nedidelius ruošinius, kurie yra per lengvi patikimai įsitvirtinti dėl pačių svorio, naudokite gnybto įtaisus.
- Draudžiama pjauti gaminius, kurių sudėtyje yra asbestas.
- Jokiomis aplinkybėmis nelieskite sukamojo pjovimo disko rankomis.
- Nedirbkite su diskiniu pjūklu viršutinėje padėtyje (virš galvos).
- Neblokuokite judamojo apsauginio gaubto, neleiskite jam užsikimšti pjuvenomis. Esant reikalui, sustabdykite diskinį pjūklą ir nepradėkite darbo, kol nepašalinsite gedimus.



- Laikykitės rankas atokiau nuo pjovimo zonos ir pjovimo disko. Antrą ranką laikykite ant pagalbinės rankenos arba ant variklio korpuso.
- Pjovimo metu niekada nelaikykite ruošinio rankose arba skersai kojos. Ruošinį būtina pritvirtinti ant patvarios platformos.
- Prieš kiekvieną naudojimą, įsitikinkite, kad apsauginis įtaisas tinkamai uždarytas.

Pjovimo disko užpleišijimo atveju arba kai pjovimas nutrauktas dėl kokios nors priežasties, atleiskite įjungimo įtaisą ir laikykite pjūklą nejudant ruošinyje iki tol, kol pjovimo diskas visiškai nesustos. Nebandykite ištraukti pjūklo iš apdorojamos detalės arba traukti pjūklą atbuline kryptimi kol diskas sukasi – tai gali sukelti atbulinį smūgį.

IŠPAKAVIMAS

Išpakavimo metu patikrinkite, ar visi elementai vietoje. Žiūr. brėžinius prie šio vadovo. Pritrūkę detalių ar gedimui kreipkitės į IVT aptarnavimo centrą.

NAUDOJIMO PRADŽIA

Maitinimo įtampa turi sutapti su nurodytais įrankio paso lentelėje duomenimis.

ATBULINIO SMŪGIO PRIEŽASTYS IR PROFILAKTIKA

1. Pjovimo disko užspaudimas, sulenkimas arba paslinkimas gali sukelti atbulinį smūgį, dėl to įjaustiklis staiga tampa nekontroliuojamu, išsprunka iš apdorojamos detalės naudotojo kryptimi.
2. Jei pjovimo diską sugnybo arba užspaudė pjūvyje, pjovimo diskas užsikerta, įrankis greitai juda atbulai naudotojo pusėn.
3. Jei pjovimo diskas išsilenkia arba nukrypsta įpjovoje, ašmenų galinio krašto dantys gali įsirausti viršutiniame medienos paviršiuje, tuo pat metu ašmenys išeina iš įpjovos ir atšoka operatoriaus kryptimi.
4. Atbulinis smūgis – netinkamo naudojimo ir/arba eksploataavimo taisyklių ir sąlygų nesilaikymo rezultatas. Norint išvengti atbulinio smūgio, reikia laikytis sekančių atsargumo priemonių:

- Tvirtai laikykite pjūklą abiemis rankomis, rankų ir kūno padėtis turi užtikrinti pasipriešinimą atbulinio smūgio jėgai, kurio jėgą galima kontroliuoti, laikydamasis tinkamų atsargumo priemonių.
- Jei pjovimo diską sugnybo arba jums dėl kažkokios priežasties reikia nutraukti darbą, nejudindami pjūklo ruošinyje, atleiskite paleidimo įtaisą, leiskite pjovimo diskui visiškai susistabdyti.

- Nebandykite ištraukti pjūklo iš apdorojamo ruošinio arba patraukti pjūklą atbuline kryptimi tuo metu, kai ašmenys juda – tai gali sukelti atbulinį smūgį.
- Išsiaiškinkite pjovimo disko užspaudimo priežastis ir pašalinkite juos.
- Drėgnos medienos, pjautinės medienos iš šviežiai nukirto arba spaudimu apdoroto medžio pjovimas reikalauja ypatingo dėmesio tam, kad išvengtų atbulinio smūgio.
- Venkite vinių pjovimo. Patikrinkite ir pašalinkite visas vinius iš medienos prieš įjaunant.
- Paleidžiant pjūklą antrą kartą apdorojamame ruošinyje, nustatykite jį įpjovos viduryje ir patikrinkite, ar dantys nesiliečia su medžiaga. Jei pjovimo diskas suspaustas, paleidžiant antrą kartą, įrankis gali judėti atgal arba ištrūkti iš apdorojamos detalės.
- Neleiskite stambių plokščių įlinkimo/iškrypimo. Tai gali sukelti pjovimo disko sugnybimą ir atbulinį smūgį. Atminkite, kad stambios plokštės gali įlinkti veikiant pačių svorio. Nustatykite atramas po plokšte iš abiejų pusių – šalia pjovimo linijos ir plokštės krašto iš kitos įpjovos pusės.
- Neleidžiama naudoti blogai išgalštų arba pažeistų pjovimo diskų.
- Įjaunant negalštų arba neteisingai įtaisytų pjovimo diskų įpjova gaunasi labai siaura, tai sukelia per didelę trintį, pjovimo disko sugnybimą ir atbulinį smūgį.
- Prieš pradėdant pjauti, įsitikinkite, kad pjovimo gylis reguliavimo ir pjovimo disko palenkimo fiksavimo rankenos gerai suveržti ir tvarkingi. Pjovimo disko nustatymų pasikeitimas pjovimo metu gali sukelti sugnybimą ir atbulinį smūgį.
- Pjūklo su per dideliu pjovimo giliu naudojimas didina įrankio apkrovą ir ašmenų susisukimą įpjovoje. Tai taip pat didina ašmenų paviršių plotą, sugnybto įpjovos uždengimo atveju.
- Laikykitės padidinto atsargumo įjaudami keturkampius sienose ir kituose objektuose, kur yra akims nepasiekiamų paviršių. Išorėn išslinkusi pjovimo disko dalis gali pažeisti daiktus arba sukelti atbulinį smūgį.

PJOVIMO DISKO ELEMENTŲ ĮTAISYMAS IR PRITAIKYMAS



DĖMESIO! Prieš pradėdant bet kokius darbus su elektros įrankiu, išjunkite jį iš elektros tinklo.

Pjovimo disko pakeitimas

1. Padėkite įrankį ant elektros variklio gaubto krašto.
2. Laikydami išorinę jungę (13) rakto apvalioms veržlėms su skylėmis (18) pagalba atsukite pjovimo disko tvirtinimo sraigą (12) veržliarakčio (18) pagalba.

3. Pastumkite slenkamąją apsaugą (11) tokiu būdu, kad ji pilnai įtilptų į apsauginį gaubtą (4); tai būtina padaryti tam, kad lengvai išimti pjovimo diską (10). [F1]
4. Pakeiskite pjovimo diską (10). Keičiant pjovimo diską (10) įsitinkinkite, kad disko skylės skersmuo atitinka vidinės jungės iškyšos skersmeniui (20).
5. Gražinkite slenkamąją apsaugą (11) į pradinę padėtį: slenkamoji apsauga (11) turi visiškai uždengti pjūklo dantis (10).
6. Įtaisykite išorinę įvorę (13) (išorinės įvorės (13) griovelis turi išsidėstyti pjovimo disko kryptimi) ir, laikydami ją rakto apvalioms veržlėms su skylėmis (18) pagalba suveržkite pjovimo disko tvirtinimo sraigatą (12) veržliarakčio pagalba (18). [F2]

DULKIŲ IŠSIURBIMAS



Dulkių išsiurbimas neleidžia susikaupti dideliame dulkių kiekiui, tame tarpe aplinkos ore, taip pat žymiai palengviną valymą.

Jei dirbate ilgą laiką su medieną arba įrankį naudojate komerciniams tikslais ir medžiagų pjovimo metu susidaro sveikatai kenksmingos dulkės, reikia prijungti įrankį prie atitinkamo išorinio dulkių išsiurbimo įrenginio dulkių išsiurbimui per išleidžiamąją dulkių išvedimo angą.

ĮJUNGIMAS IR IŠJUNGIMAS [F3]

Įjungimas

Norint įjungti mašiną atspauskite ir laikykite blokavimo mygtuką (16) ir paspauskite jungiklį (3).

Išjungimas

Norint išjungti mašiną atleiskite jungiklį „įjungta/išjungta“ (3).

EKSPLOATAVIMO INSTRUKCIJA

- Įsitinkinkite, kad ruošinys patikimai užspaustas. Prašome įsitikinti, kad geroji apdorojamo ruošinio pusė nukreipta į apačią, nes tokiu būdu apatinį kraštą galima apdoroti žymiai tiksliau.
- Įrankis turi būti įjungtas iki to momento, kol pjovimo diskas (10) palies apdorojamą ruošinį. Nespauskite stipriai, pjovimas nėra greitas procesas. Per didelis spaudimas nepagreitins darbo ir sukels įrankio perkrovą.
- Laikykite elektros įrankį abiem rankomis už abi rankenas, tokiu būdu galima užtikrinti reikiamą įrankio kontrolę.
- Pjovimo žymės nurodo pjovimo disko (10) padėtį pjaunant vertikaliai, taip pat pjaunant 45° kampu. Yra tikslinga atlikti bandinį pjūvį tam, kad išvengtų klaidų darbo procese. [F4]

Pjovimo gylio nustatymas

Šis elektrinis įrankis turi pjovimo gylio sklاندau pakeitimo funkciją. Pasiiekti tikslų pjūvį galima, jei įrankio padėtis yra tokia, kad pjovimo diskas (10) išsikiša už medžiagos apytiksliai 3 mm.

1. Atpalaiduokite pjovimo gylio gnybto sraigatą (17).
2. Nustatykite reikiamą pjovimo gylį pagal žymę ant pjovimo gylio ribotuvo(2).

Suveržkite pjovimo gylio gnybto sraigatą (17). [F5]

Pjovimo kampo reguliavimas [F6]

Šis elektrinis įrankis turi pjovimo kampo sklاندau pakeitimo funkciją nuo 0° iki 45°.

1. Atpalaiduokite pjovimo kampo reguliavimo nykščio varžtą (8) ir atraminės plokštelės gnybto sraigatą (19).
2. Nustatykite norimą pjovimo kampą pagal žymę ant korpuso pokrypio ribotuvo (6).
3. Suveržkite gnybto sraigtus (8) ir gnybto sraigatą ant atraminės plokštės/kreipiamosios plokštės (19).
4. Esant reikalui galima didinti arba mažinti pjovimo gylį, keliant ir nuleidžiant atraminę plokštelę (9).

Pjovimas su lygiagrete atspara

Lygiagretė atspara (14) leidžia pjauti išilgai ruošinio tiesaus krašto, taip pat vienodo pločio tašelius.

1. Atpalaiduokite lygiagretės atsparos gnybto sraigatą (7).
2. Nustatykite norimą pjovimo plotį pagal lygiagretės atsparos skalės žymę (14).

Suveržkite lygiagretės atsparos gnybto sraigatą (7). [F7]

APTARNAVIMAS IR LAIKYMAS



ATSARGIAI! Prieš pradėdami dirbti su įrankiu, išimkite tinklo kištuką.

- Palaikykite įrankio ir vedimo angų (jeigu tokios yra) švaroje. Reguliarus valymas ir priežiūra garantuoja aukštą efektyvumą ir ilgą prietaiso eksploataciją.
- Gedimo atveju, nepriklausomai nuo tobulų gamybos sąlygų ir bandymų, remontas turi būti atliekamas oficialiame IVT serviso centre.
- Visos veržlės, varžtai ir sraigčiai turi būti sandariai užveržti.
- Pakeiskite pažeistas arba susidėvėjusias detales.
- Naudokite tik originalias atsargines dalis. Dalys, pagamintos kitų gamintojų, priglunda nesandariai ir padidina traumų atsiradimo riziką.



- Saugokite įrankį sausoje nepasiekiamoje vaikams vietoje, saugiu atstumu nuo lengvai užsiliepsnojančių medžiagų.
- Venkite vandens ant įrankio patekimo!

APLINKOS APSAUGA



Perduokite žaliavą perdirbimui, o ne meskite į šiukšles!

Įrankį, papildomus įrenginius ir pakuotę reikia nukreipti ekologiškai saugiam perdirbimui.

Plastikiniai elementai nukreipiami klasifikuotam perdirbimui.

Šios instrukcijos atspausdintos antriniame popieriuje, kurio sudėtyje nėra chloro.



DĖMESIO! NELEIDŽIAMA SAVARANKIŠKAI REMONTUOTI GAMINĮ IR BANDYTI PASLĖPTI REMONTO PĖDSAKAS! Tik autorizuotas IVT Serviso Centras turi teisę atlikti remontą ir išplėstinį techninį aptarnavimą. Draudžiama keisti vidinę gaminio sąrangą! TOKIE VEIKSMAI YRA NE TIK PAGRINDAS ATSIŠAKYTI GARANTINIŲ ĮSIPAREIGOJIMŲ, BET GALI BŪTI SUSIŽEIDIMŲ IR RIMTŲ SUŽALOJIMŲ PRIEŽASTIMI.

INSTRUMENTA RAKSTURLĪKNE

Modelis	CS-185-RC
Spriegums ~ Frekvence [V ~ Hz]	230 ~ 50
Nominālā jauda [W]	1400
Apgriezienu skaits tukšgaitā [apgr./min.]	5500
Zāģa diska diametrs Ø [mm]	185
Zāģa diska atveres diametrs Ø [mm]	25.4
Zāģa diska biezums [mm]	1.2
Maksimālais griezuma dziļums 45° [mm]	62
Maksimālais griezuma dziļums 90° [mm]	45
Svars [Kg]	4.5
Drošības klase	II

DAĻU SARAKSTS

1. Putekļu nosūkšanas atvere
2. Griešanas dziļuma ierobežotājs
3. Slēdzis "ieslēgts/izslēgts"
4. Zāģa diska aizsargapvalks
5. Papildu rokturis
6. Korpusa slīpuma ierobežotājs
7. Paralēlā atbalsta spaiļes skrūve
8. Spāniskrūve leņķa regulēšanai
9. Atbalsta plāksne
10. Zāģa diska
11. Noņemams aizsargs
12. Zāģa diska stiprinājumskrūve
13. Ārējais atloks
14. Paralēlais balsts
15. Ventilācijas atvere
16. Bloķēšanas poga
17. Griezuma dziļuma ierobežotāja spaiļes skrūve
18. Uzgriežņatslēga
19. Atbalsta plāksnes spaiļes skrūve
20. Iekšējais atloks

SATURS KASTĒ

Ekspluatācijas instrukcija (1 gab.), paralēlais atbalsts (1 gab.), uzgriežņu atslēga (1 gab.), papildus rokturis (1 gab.), oglekļa birstu komplekts (1 gab.).

IECERĒTA IZLIETOŠANA

Šis ripzāģa modelis ir paredzēts koka sagatavju zāģēšanai. Ierīce ir paredzēta labās puses lietošanai.

EKSPLUATĀCIJA DROŠĪBAS TEHNĪKĀ

Vispārīgie drošības noteikumi

Sekojošas drošības noteikumu instrukcijas palīdzēs jums pareizi lietot instrumentu un paaugstināt savu darba drošību. Tāpēc ieteicam izlasīt to uzmanīgi.

Gadījuma, kad instruments tiek nodots trešajai personai, kopā ar to ir jānodod arī sekojošas drošības noteikumu instrukcijas.

Saglabājiet šo instrukciju un citu literatūru, kas ir iekļauta piegādes komplektā.

Sekoiet drošības tehnikai un brīdinājumiem uz instrumenta.

Pirms sāksiet darbu, iepazīsieties ar instrumenta vadības ierīcēm, bet vispirms pārliecinieties, ka zināt kā to apturēt neparedzētajā gadījumā.

Šo vienkāršo noteikumu pildīšana palīdzēs saturēt jūsu instrumentu darberīgajā stāvoklī.

Pirms lietošanas instrumentu pareizi jāsamontē.

Lietojiet instrumentu tikai paredzētajam uzdevumam.

Turklāt uz instrumenta var būt brīdinājumi un aizsardzības piederumu lietošanas norādījumi, kurus ir jāizpēta. Novērst negadījumus palīdzēs uzmanība, prātīgā pieeja darbam un attiecīga sagatavošana personām, kuras būs iesaistītas instrumenta ekspluatācija, transportēšana, apkalpošana un uzglabāšana.

Neatstājiet instrumentu bez uzraudzības.

Nepieļaujiet instrumenta izmantošanu bērniem. Neļaujiet bērniem spēlēt ar instrumentu.

Nestrādājiet ar instrumentu bērnu un dzīvnieku tuvumā. Nepiederošām personām jāatrodas drošā attālumā no iedarbināta instrumenta.

Strādājot ar instrumentu lietotājs atbild par trešajām personām.

Personas, kuras nav iepazīstinātas ar ekspluatācijas instrukcijām, bērni, nepilngadīgie, kuri vēl nav



sasnēguši vecumu, atļaujošo darboties ar instrumentu, kā arī personas alkoholiska vai narkotiskā riebumā, vai ietekmēti ar jebkādu medicīnisko preparātu, netiek pieļauti darba ar instrumentu. Operatora vecums tiek noteikts vietējos normatīvajos aktos.



UZMANĪBU! Alkohols, daži ārstnieciskie preparāti un narkotiskas vielas, kā arī slimības stāvoklis, drudzis vai nogurums pazemina reakcijas ātrumu. Neizmantojiet šo instrumentu iepriekšminētajos gadījumos.

Pārliecinieties, ka visas aizsargierīces (ja tādas ir) ir uzstādītas un ir derīgas eksploatācijai.

Nelietojiet instrumentu bez aizsargierīcēm (ja tādas ir) vai ja tas ir bojātas.

Apskatiet instrumentu, pārbaudiet vai visas detaļas (uzgriežņi, bultskrūves, skrūve) ir nostiprinātas, vai nav bojājumi. Lai garantētu instrumenta drošu darbību, periodiski pārbaudiet, vai labi nostiprinātas visas skrūves un bultskrūves (ja tādas ir). Vajadzības gadījumā pirms instrumenta izmantošanas salabojiet vai nomainiet tos. Bojāta instrumenta lietošanas gadījumā operators vai citas nepiederošas personas var gūt nopietnas traumas. Izmantojiet darbam attiecīgu darba tērpu. Kustīgas daļas var ievilkāt vaļīgos apģērbus vai rotājumus iekšā. Uzvelciet attiecīgu darba tērpu. Rekomendējam sargāt kājās un pēdās no sašķīstošajam šķembām. Nestrādājiet basam kājām vai vieglajās sandalēs. Sasieniet garus matus.

Turiet rokturus turus un sausus.

Izmantojiet attiecīgus aizsardzības līdzekļus. Lietojiet aizsargbrilles un cimdus. Strādājot ar pulveriem vai izplūdes gāzēm izmantojiet pretputekļu respiratorus. Vajadzības gadījumā uzlieciet neslidenos apavus, ķiveri un ausu aizbāžņus. Ja trokšņa līmenis pārsniedz 85 dB(A) obligāti izmantojiet prettrokšņa austiņas.



UZMANĪBU! Izmantojiet individuālas aizsardzības līdzekļus. Aizsargierīces un individuālas aizsardzības līdzekļi nodrošina aizsardzību jūsu un apkārtējo cilvēku veselībai, kā arī garantē netraucētu instrumenta darbību.

Neiedarbiniet instrumentu ja tas ir apgāzts vai nedarbojošs stāvoklī.

Darba laika saglabājiet stabilo stāvokli. Vienmēr saglabājiet līdzsvaru.

Ievērojiet tīrību darba teritorijā. Uz aizkrautajiem zemes gabaliem bieži vērojams augsts traumatisma līmenis.

Pirms instrumenta izmantošanas, novāciet no teritorijas visus nepiederošos priekšmetus, ka arī vairāties no nepiederošo priekšmetu iekļaušanas zem instrumenta darbošanās laikā.

Nepārslogojiet instrumentu.

Lietojiet instrumentu tikai dienas gaismā vai pie laba mākslīgā apgaismojuma. Neizmantojiet instrumentu sliktajos redzamības apstākļos.

Esiet uzmanīgi lai instruments nekristu, nepieļaujiet tā sadursmi ar jebkādiem šķēršļiem.

UZMANĪGI Esiet uzmanīgi. Uzmanieties darba procesā. Izklaidība var būt par iemeslu kontroles zaudēšanai. Pienāciet pie darba pārtīgi.

Elektriskas drošības noteikumi

UZMANĪBU! Lietojot elektriskos instrumentus, lai novērstu elektriskās strāvas triecienus, traumas vai uzliesmojumu, jāievēro sekojošie drošības noteikumi. Pirms instrumenta izmantošanas akurāti izlasiet un ievērojiet šīs instrukcijas.

Lai paaugstinātu drošības līmeni, ieteicams izmantot diferenciāls aizsardzības ierīci (RCD), kas ir domāta ne vairāk kā 30 mA atslēgšanai. Pārbaudiet RCD pirms katras izmantošanas. Griezieties pie kvalificēta elektriķa.



UZMANĪBU! RCD vai cita pārtraucēja izmantošana neatbrīvo operatoru no obligātas iepazīšanās ar drošības tehnikas noteikumiem un drošas darbošanās paņēmieniem, noteiktajiem šajā instrukcijā.

Sprieguma lielumam jāatbilst tām, kurš norādīts uz etiķetes vai instrukcijā. Neizmantojiet citus barošanas avotus.

Pirms instrumenta ieslēgšanas elektriskajā rozetē, pārliecinieties, ka tā atbilst norādītajam uz etiķetes datiem.

Izvairāties no kontakta ar zemējumietaisem (cauruļvadiem, radiatoriem un refrīžeratoriem). Ja ķermenis ir iezemēts, tas paaugstina strāvas triecienu risku.



UZMANĪGI! Lai novērstu apdegumu vai ievainojumu ar elektrisko strāvu, nepieskaraties pie instrumenta detaļām, kuras pavadā elektrisko spriegumu.

Pārvietojot instrumentu, nevelciet aiz kabeļa. Izmantojiet elektrības vadu ar uzmanību. Sargājiet elektrības vadu no uzkaršanās, kontakta ar smērvielām, ka arī asajiem priekšmetiem vai kustīgām daļām.

Esiet uzmanīgi ar elektrības vadu. Neizmantojiet elektriskos instrumentus viegli uzliesmojošo šķidrumu un deggāzu tuvumā.

Pirms instrumenta pārvietošanas, izslēdziet to no elektriska tīkla.



UZMANĪGI! Instrumentu vispirms jāizslēdz un tad jāizņem kontaktdakšu no rozetes vai pagarinātāja ligzdas.

Nepārspiediet pagarinātāja kabeli instrumenta darbošanās laikā. Neizlaidiet kabeli no skatiena.

Nepieslēdziet pagarinātāju instrumentam patstāvīgi. Griezieties tuvākajā apkalpošanas centrā.

Barošanas vada bojājuma gadījumā, lai novērstu bīstamas situācijas, bojāto vadu jāaizvieto. To var darīt ražotājs vai tā aģents, vai analogiskas kvalifikācijas profesionālis.

Ja kabelis ir bojāts vai sagriezts, nekavējoties izvelciet kontaktdakšu no elektrības rozetes.



UZMANĪBU! PASTĀV RISKS GŪT IEVAINOJUMU AR ELEKTRISKO STRĀVU!

Uzmaniet darba vidi. Neizmantojiet elektriskos instrumentus lietus laikā. Neizmantojiet elektriskos instrumentus valgajās un mitrajās telpās. Uzturēt darba teritoriju sausu, nodrošiniet labu apgaismojumu. Sargājiet instrumentu no mitruma. Neatstājiet instrumentu uz nakti klajā gaisā. Gadījumā, ja ierīcē nokļūvis ūdens, paaugstinās ievainojumu ar elektrisko strāvu risks.

Regulāri un katru reizi pirms izmantošanas pārbaudiet barošanas vadu uz bojājumu un nolietojuma pazīmēm. Neizmantojiet instrumentu ar bojātu kabeli; griezieties tuvākajā apkalpošanas centrā.

Strādājot ārpus telpas, lietojiet tikai piemērotos pagarinātājus ar atbilstošu marķējumu. Izsargājieties no kabeļa nokļūšanas zem instrumenta, sargājiet to no

mitruma, uzkaršanās un kontakta ar smērvielām vai viegli uzliesmojošiem šķidrumiem.

Izsargājieties no instrumenta neauşas iedarbināšanas: pirms instrumenta pieslēgšanas pie elektrotīkla, pārliecinieties, kā slēdzis (ja tāds ir) ir pārvietots «OFF» stāvoklī.

Pirms instrumenta ieslēgšanas izņemiet iestādīšanas skrūves un atslēgas.

Neizmantojiet instrumentu ar bojāto slēdzi. Instruments ar bojāto slēdzi ir bīstams un prasa remontu.



UZMANĪBU! **Dažreiz elektroinstrumentu darbības laikā rodas putekļi, saturošie ķīmiskas vielas, kas var izraisīt vēzi.**

Pie tādām ķīmiskajām vielām var būt pieskaitīti: svins, (svina balta sastāvā), kvarcs (ķieģeļu un cementa sastāvā), arsēns un hroms (ķīmiskajiem reaģentiem apstrādāto zāģmateriālu sastāvā), kā arī citas kaitīgas vielas. Šo vielu bīstamības pakāpe ir atkarīga no darbu biežuma. **Lai samazināt to kaitīgo ietekmi, strādājiet labi vedināmajā telpā un izmantojiet apstiprinātos individuālas aizsardzības līdzekļus, piemēram, pretputekļu respiratorus, speciāli izstrādātus mikroskopisko daļiņu filtrēšanai.**

Nepiederošo priekšmetu iekļaušanas zem instrumenta gadījumā, apskatiet to, lai pārliecinātos kā nav bojājumu, un ja rādīsies vajadzība, izpildiet nepieciešamo remontu.

Pārmērīgas vibrācijas rašanās gadījumā, izslēdziet instrumentu un noskaidrojiet vibrācijas iemeslu. Parasti vibrācija liecina par bojājumu.

Pirms darba vietas atstāšanas, izpildiet instrumenta apskati, remontu vai tīrīšanu, atslēdziet to un uzgaidiet līdz pilnīgajai apstāšanai.

Ir aizliegts noņemt vai nomainīt instrumenta iekšējas detaļas.

Īpašie drošības tehnikas noteikumi

- Pārliecinieties, ka visas ierīces, kas uzstādītas uz zāģa diska, ir ideāla darba kārtībā.
- Pārliecinieties, ka zāģa diska ir uzstādīts pareizi.
- Nelietojiet diskus no ātrgriezoša instrumentu tērauda, kas neatbilst šajā rokasgrāmatā noteiktajām specifikācijām.
- Pirms zāģēšanas noņemiet no sagataves visas naglas un citus metāla priekšmetus.
- Nekad neuzsāciet zāģēšanu, pirms zāģa diska nav sasniedzis savu maksimālo ātrumu.
- Ripzāģi var noņemt no darba vietas tikai pēc tam, kad tas ir izslēgts un zāģa diska apstājies.
- Nekad nemēģiniet samazināt zāģa diska ātrumu,



izdarot spiedienu uz tā sānu malu.

- Pārliecinieties, ka iekšējā atloka uzgaļa diametrs atbilst zāģa diska iekšējās atveres diametram.
- Lietojiet tikai asus zāģa diskus bez defektiem. Ieplaisājušus, saliektus vai neasus zāģa diskus nomainiet nekavējoties.
- Bultas virzienam uz zāģa diska vienmēr jāsakrīt ar bultas virzienu uz zāģa diska aizsargapvalku.
- Ripzāģa aizsargu noņemšana pirms zāģēšanas ir aizliegta.
- Zāģējot nelielas sagataves, kas ir pārāk vieglas, lai tās droši nostiprinātu zem to svara, jāizmanto saspiedējs.
- Zāģēt azbestu saturošas sagataves ir aizliegts.
- Nekādā gadījumā nepieskarieties rotējošam zāģa diskam ar rokām.
- Nestrādājiet ar ripzāģi, to turot virs galvas.
- Nebloķējiet pārvietojamo aizsargapvalku, neļaujiet tam aizsērēt ar zāģu skaidām. Ja tā ir noticis, apturiet ripzāģi un neatsāciet to darbināt, pirms traucējums ir novērsts.
- Turiet rokas nostāk no griešanas zonas un no diska. Turiet otru roku uz papildu roktura vai motora korpusa.
- Nekad neturiet zāģējamo priekšmetu rokās vai šķērsām pāri kājām. Nostipriniet sagatavi uz stabilas platformas.
- Pirms katras lietošanas reizes pārbaudiet, vai aizsargs ir kārtīgi noslēgts.

Ja zāģa disks ir iekļīlējis vai zāģēšana kāda iemesla dēļ ir pārtraukta, atļaidiet slēdzi un turiet zāģi nekustīgi materiālā, līdz zāģa disks apstājas pilnībā. Nekad nemēģiniet izņemt zāģi no apstrādājamās sagataves vai vilkt zāģi atpakaļvirzienā, kamēr disks ir kustībā – tas var izraisīt prettriecienu.

IZPAKOŠANA

Izpakojot pārbaudiet visu elementu esību. Skat. rasējumus šīs lietotāja pamācības pielikumā. Jebkādu detaļu trūkuma vai defekta gadījumā, griezieties IVT apkalpošanas centrā.

EKSPLOATĀCIJAS SĀKŠANA

Sprieguma lielumam jāatbilst tām, kurš norādīts instrukcijā, tabulā ar instrumenta tehniskajiem datiem.

PRETRIECIENA IEMESLI UN NOVĒRŠANA

1. Prettriecienu rada zāģa diska saspiešana, saliekšana vai sašķieba, kā rezultātā griezējs strauji zaudē kontroles spējas, noraujas no apstrādājamās

detaļas virzienā uz lietotāju.

2. Ja zāģa disku cieši iespiļēja vai sašķieba iezāģējumā/ griezumā, zāģa disks apstājas, šādā gadījumā instrumentu atsit ātri atpakaļ pie lietotāja.
3. Ja zāģa disks izliecas vai sašķiebjas iegriezumā, aizmugurējās malas zobi var iegriezties koksnes virsējā virsmā, šādā gadījumā asmens iziet no iezāģējuma un atlec virzienā uz lietotāju.
4. Prettrieciens rodas, nepareizi lietojot instrumentu un/vai eksploatācijas kārtības un noteikumu neievērošanas dēļ un no tā var izvairīties, veicot zemāk minētos piesardzības pasākumus:

- Stingri turiet zāģi ar abām rokām tā, lai roku un ķermeņa stāvoklis nodrošinātu pretestību prettriecienam, kura spēku var kontrolēt, veicot atbilstošus piesardzības pasākumus.
- Ja zāģa disks ir iespiļēts vai kāda iemesla dēļ ir nepieciešams pārtraukt darbu, atļaidiet slēdzi un turiet zāģi nekustīgi materiālā, līdz disks ir pilnībā apstājies.
- Nekad nemēģiniet izņemt zāģi no apstrādājamās sagataves vai vilkt zāģi atpakaļvirzienā, kamēr disks ir kustībā – tas var izraisīt prettriecienu
- Noskaidrojiet zāģa diska iespiešanas iemeslus un novērsiet tos.
- Slapjai koksnei, svaigi zāģētiem zāģmateriāliem vai zem spiediena apstrādātiem kokmateriāliem, veicot darbus, ir nepieciešama īpaša uzmanība, lai izvairītos no prettrieciena.
- Izvairieties no naglu sagriešanas. Pārbaudiet un pirms griešanas izņemiet no kokmateriāliem visas naglas.
- Atkārtoti iedarbinot instrumentu un uzstādot to apstrādājamajā detaļā, pārliecinieties, ka zāģa disks atrodas iegriezuma/griezuma vidū, bet tā zobi neskar materiālu. Ja zāģa disks ir saspiests, atkārtotas palaišanas gadījumā instruments var padoties atpakaļ vai izrautes no apstrādājamās detaļas.
- Nepieļaujiet liela izmēra paneļu nokari/sašķiebi. Tas var radīt zāģa diska iesprūšanu un prettriecienu. Atcerieties, ka lielu izmēru paneļi var nokārties no sava svara. Uzstādiet atbalstus zem paneļa abās pusēs – blakus griešanas līnijai un paneļa malai no otras griezuma puses.
- Neizmantojiet neasus vai bojātus diskus.
- Nav pieļaujama slikti uzasinātu un bojātu zāģa disku izmantošana. Neuzasināts vai nepareizi uzstādīts zāģa disks veic pārāk šauru iegriezumu, kas rada pārlietu berzi, zāģa diska iesprūšanu un prettriecienu.
- Pirms iegriešanas/griešanas uzsākšanas pārliecinieties, ka atbalsta rokturi, ka iegriezuma dziļuma un zāģa diska sašķiebes regulēšanas atbalsta rokturi ir labi pievilkti un darbderīgi. Zāģa diska uzstādījumu mainīšana griešanas laikā var radīt iesprūšanu un prettriecienu.



Ekspluatācijas instrukcija

- Izmantojot zāģi ar pārmērīgu griezuma dziļumu, tiek palielināta slodze uz instrumentu un uzņēmība pret diska sašķiebusanos iezāģējumā/iegriezumā. Tas arī palielina asmens virsmas laukumu, kas ir pakļauts iespīlēšanai iezāģējuma noslēgšanas gadījumā.
- Esiet īpaši piesardzīgi, veicot četrleņķu iezāģējumus sienās un citos objektos, kur ir virsmas, kas nav skaidri saskatāmas. Ārā iznākušais disks var sabojāt priekšmetus vai izraisīt prettriecienu.

RIPZĀĢA ELEMENTU UZSTĀDĪŠANA UN REGULĒŠANA



UZMANĪBU! Pirms veikt kādus darbus uz elektroinstrumenta, tas jāatslēdz no elektrotīkla.

Zāģa diska nomaiņa

1. Novietojiet instrumentu uz elektrodzinēja apvalka malas.
2. Turot ārējo atloku (13) ar apaļo uzgriežņu atslēgu (18), atskrūvējiet zāģa diska stiprinājumskrūvi (12) ar uzgriežņu atslēgu (18).
3. Pabīdīet noņemamo aizsargu (11) tā, lai tas ir pilnībā ievietots aizsargapvalkā (4); tas nepieciešams tādēļ, lai varētu brīvi izvilkēt zāģa disku (10). **[F1]**
4. Nomainiet zāģa disku (10). Uzstādot zāģa disku (10), pārliecinieties, ka atveres diskā diametrs atbilst iekšējā atloka malas diametram (20).
5. Novietojiet noņemamo aizsargu (11) tā sākotnējā pozīcijā: diska zobiem (10) jābūt pilnībā aizsegtiem ar pārvietojamo aizsargierīci (11).
6. Uzstādiēt ārējo atloku (13) (ārējā atloka rievai (13) jāatrodas griezošā diska virzienā) un pieturot to ar apaļo uzgriežņu atslēgu (18), pievelciet zāģa diska stiprinājumskrūvi (12) ar uzgriežņu atslēgu (18). **[F2]**

PUTEKĻU NOSŪKŠANA



Putekļu nosūkšana ļauj novērst liela putekļu daudzuma uzkrāšanos, tai skaitā arī apkārtējā gaisā, kā arī ievērojami atvieglo uzkopšanu.

Ilgstoši strādājot ar koksni vai ekspluatējot instrumentu komerciālos nolūkos uz materiāliem, kas veido veselībai kaitīgus putekļus, instruments ir jāpieslēdz atbilstošai iekšējai putekļu nosūkšanas caur putekļu nosūcēja izplūdes atveri ierīcei.

IESLĒGŠANA UN IZSLĒGŠANA [F3]

Ieslēgšana

Lai ieslēgtu ierīci, nospiediet un turiet bloķēšanas pogu (16) un nospiediet "ieslēgts/izslēgts" slēdzi (3).

Izslēgšana

Lai izslēgtu ierīci, atlaidiet "ieslēgts/izslēgts" slēdzi (3).

EKSPLUATĀCIJAS INSTRUKCIJA

- Pārliecinieties, ka sagatave ir droši iespiesta. Pārliecinieties, ka sagatave ir novietota ar virspusi uz leju, jo tādējādi apakšējā mala tiks apstrādātā daudz rūpīgāk.
- Instrumentam jābūt ieslēgtam, pirms zāģa disks (10) pieskaras apstrādājamajai sagatavei. Nepielietojiet pārāk daudz spēka: griešanas darbības nav ātras. Pārlika spēka piemērošana darbu nepaātrinās, bet gan izraisīs instrumenta pārslodzi.
- Turiet elektrisko instrumentu ar abām rokām aiz abiem rokturiem, tādējādi nodrošinot nepieciešamo kontroli pār instrumentu.
- Griezuma atzīmes norāda zāģa diska (10) stāvokli vertikālo griezumam, kā arī griezumam 45° leņķī veikšanas laikā. Ir ieteicams veikt izmēģinājuma griezumam, lai izvairītos no kļūdām darba procesā. **[F4]**

Griešanas dziļuma uzstādīšana

Minētajam elektriskajam instrumentam ir griezuma dziļuma plūdeno izmaiņu funkcija. Akurātu griezumu var panākt, novietojot instrumentu tā, lai zāģa disks (10) izvīrītos aiz materiāla apmēram 3 mm attālumā.

1. Atlaidiet griezuma dziļuma regulētāja (17) spaiļes skrūvi.
2. Uzstādiēt nepieciešamo griešanas dziļumu atbilstoši atzīmei uz griezuma dziļuma ierobežotāja (2).

Pievelciet griezuma dziļuma regulētāja (17) spaiļes skrūvi. **[F5]**

Griešanas leņķa regulēšana [F6]

Minētajam elektriskajam instrumentam ir griešanas leņķa regulēšanas plūdeno izmaiņu funkcija 0° līdz 45° robežās.

1. Atlaidiet spārnskrūvi leņķa regulēšanai (8) atbalsta plāksnes spaiļes skrūvi (19).
2. Uzstādiēt nepieciešamo griešanas leņķi atbilstoši atzīmei uz korpusa slīpuma ierobežotāja (6).
3. Pievelciet spaiļes skrūves (8) un atbalsta plāksnes/virzītājplāksnes (19) spaiļes skrūvi.
4. Palieliniet vai samaziniet griešanas dziļumu, pēc nepieciešamības paceļot vai nolaižot atbalsta plāksni (9).



Griešana ar paralēlā balsta palīdzību

Paralēlais atbalsts (14) ļauj veikt griešanu gar sagataves taisno malu, kā arī sagriezt vienāda platuma brusas.

1. Atlaidiet paralēlā atbalsta spaiļes skrūvi (7).
2. Uzstādiel nepieciešamo griezuma platumu atbilstoši atzīmei uz paralēlā atbalsta skalas (14).

Pievelciet paralēlā atbalsta spaiļes skrūvi (7). [F7]

APKALPOŠANA UN GLABĀŠANA



UZMANĪGI! Pirms jebkādu darbu uzsākšanas, izvelciet instrumenta spraudkontakta.

- Turiet instrumentu un tā vēdcaurumus (ja tādi ir) turus. Regulāra tīrīšana un apkalpošana garantē instrumenta augstu efektivitāti un ilgstošo ekspluatāciju.
- Gadījumā ja, neskatoties uz precīzām ražošanas un testēšanas procedūrām, instrumentam ir konstatēts defekts, remontu jāizpilda oficiālajā IVT servisa centrā.
- Visiem uzgriežņiem bulskrūvēm, skrūvēm jābūt stingri pievilkām.
- Laicīgi aizvietojiet sabojātas vai nolietotas detaļas.
- Izmantojiet tikai oriģinālas rezerves daļas. Citu ražotāju izstrādātas detaļas nepieguļas cieši, kas paaugstina traumatisma risku.
- Glabājiet instrumentu sausajā, bērniem nepieejamajā vietā, droša attālumā no viegli uzliesmojošiem materiāliem.
- Sargājiet instrumentu no valguma.

APLINKOS APSAUGA



Perduokite žaliavą perdirbimui, o ne meskite į šiukšles!

Jrānkj, papildomus jrenginius ir pakuoē reikia nukreipti ekoloģiskai saugjam perdirbimui.

Plastikiniai elementi nukreipiami klasifikuotam perdirbimui.

Šios instrukcijas atspausdintos antriniame popieriuje, kurio sudētyje nēra chloro.



UZMANĪBU! VEIKT IZSTRĀDĀJUMA REMONTU PATSTĀVĪGI UN SLĒPT TĀ PĒDAS IR PILNĪGI NEPIEĻAUJAMI! Tikai autorizētam IVT Servisa-Centram ir tiesības veikt remontu un paplašinātu tehnisko apkopi. Veikt izmaiņas izstrādājuma iekšējā uzbūvē aizliegts! ŠĀDAS DARBĪBAS IR NE TĪKAI PAMATOJUMS ATTEIKUMAM GARANTIJAS SAISTĪBU IZPILDEI, BET VAR BŪT PAR IEMESLU BOJĀJUMAM UN NOPIETNIEM SAKROPLŌJUMIEM.

CARACTERÍSTICAS TÉCNICAS DE LA HERRAMIENTA

Modelo	CS-185-RC
Voltaje ~ Frecuencia [V ~ Hz]	230 ~ 50
Potencia nominal [W]	1400
Frecuencia de revoluciones con la marcha en vacío [rev./min]	5500
Diámetro del disco de sierra Ø [mm]	185
Diámetro del orificio del disco de sierra Ø [mm]	25.4
Grosor del disco de sierra [mm]	1.2
Profundidad máxima del corte a 45° [mm]	62
Profundidad máxima del corte a 90° [mm]	45
Peso [kg]	4.5
Clase de seguridad	II

LISTA DE COMPONENTES

1. Orificio de salida del polvo
2. Limitador de la profundidad del corte
3. Interruptor "encendido/apagado"
4. Camisa protectora del disco de sierra
5. Mango auxiliar
6. Limitador de la inclinación del cuerpo
7. Tornillo de apriete de la guía paralela
8. Tornillo de orejetas para el ajuste del ángulo
9. Placa base
10. Disco de sierra
11. Protección móvil de seguridad
12. Perno de fijación del disco de sierra
13. Brida exterior
14. Guía paralela
15. Orificios de ventilación
16. Botón de bloqueo
17. Tornillo de apriete del limitador de profundidad del corte
18. Llave de tuercas
19. Tornillo de apriete de la placa base
20. Brida interior

CONTENIDO DE LA CAJA

Manual de instrucciones (1 un.), guía paralela (1 un.), llave de tuercas (1 un.), mango auxiliar (1 un.), juego de cepillos de carbono (1 un.).

DESTINACIÓN

El presente modelo de la sierra circular se utiliza para serrar las piezas de madera. La herramienta es apta para su utilización con la mano derecha.

NORMAS DE SEGURIDAD DURANTE EL USO

Normas de seguridad generales

Las siguientes normas de seguridad le ayudarán a utilizar la herramienta de modo correcto y protegerán su propia seguridad. Por favor, lea con atención esta información.

Si pasa esta herramienta a la tercera persona, pásele sin falta también estas instrucciones.

Conserve el presente manual y otra documentación adjunta a la herramienta para las futuras consultas.

Cumpla con la información de seguridad situada en los letreros de la herramienta.

Antes de proceder al trabajo estudie la información del control y del uso debido de la herramienta y asegúrese de que pueda desconectarla en el caso de emergencia. Además, el cumplimiento de estas simples instrucciones permitirá mantener su herramienta en buenas condiciones de trabajo.

Antes de utilizarla, asegúrese de que la herramienta esté ensamblada correctamente.

Utilice la herramienta sólo de acuerdo con su destinación.

La herramienta puede contener indicaciones o símbolos de avisos de seguridad. La prevención de accidentes depende de la atención, sentido común y preparación adecuada de todos los que participan en el empleo, transporte, mantenimiento técnico y almacenamiento de la herramienta.

Nunca deje la herramienta desatendida.

En ningún caso permita que los niños utilicen la herramienta. Asegúrese de los niños no jueguen con la herramienta.

Mantenga la herramienta fuera de alcance de los



niños y los animales. Asegúrese de que todos los “espectadores” guarden la distancia de seguridad de la herramienta en funcionamiento.

Recuerde que el usuario es responsable de la seguridad de los terceros mientras trabaja con la herramienta.

La utilización de la herramienta queda prohibida a: las personas que no están familiarizadas con las presentes instrucciones; las personas que no han alcanzado la edad para la utilización de esta herramienta; las personas bajo la influencia de alcohol, drogas o medicinas. Los marcos de edad del usuario pueden estar limitados por la legislación local.



ADVERTENCIA! La **cosumisión del alcohol, medicinas y drogas, indisposición y fiebre pueden afectar su capacidad de reacción. No utilice la herramienta si está en una de esas situaciones.**

Asegúrese de que todos los dispositivos de protección (si procede) estén instalados y en buen estado.

Queda prohibida la utilización de la herramienta con los defectos u omisión de los dispositivos de seguridad o cascos protectores (si están previstos).

Asegúrese de que la herramienta no contenga componentes sueltos o deteriorados (tales, como pernos, tuercas, tornillos, etc.). Examine periódicamente los tornillos y pernos, que tienen que estar bien apretados – esa es la garantía de seguridad y del funcionamiento correcto del equipamiento. En el caso necesario antes de proceder al uso, sustituya dichas piezas. Los defectos en la herramienta pueden causar el traumatismo grave como del operario, tanto de la gente alrededor.

Trabajando con la herramienta es necesario vestirse adecuadamente. La vestimenta no tiene que ser ancha, no ponga los adornos que pueden engancharse a las partes móviles de la herramienta. Ponga el uniforme de trabajo apropiado. La ropa y el calzado tiene que cubrir completamente las piernas y los pies lo que asegura la protección ante los trozos que puedan saltar. No trabaje descalzo ni con el calzado abierto. El pelo largo tiene que estar recogido hacia atrás.

Los mangos y manivelas de la herramienta tienen que mantenerse secos, limpios y sin engrasar.

Utilice el equipo apropiado de la protección individual. Ponga gafas y guantes de seguridad. Trabajando con los materiales que desprenden polvo o con los gases de escape ponga la mascarilla. En el caso de necesidad ponga el calzado con la suela antideslizante, casco y tapones de oídos. Si el nivel de ruido supera 85 dB (A) la utilización del equipo protector de oído es obligatoria.



ADVERTENCIA! Utilice el equipo de la **protección individual!** Los dispositivos de protección y los medios de seguridad individual protegen su salud y la salud de los que están alrededor y asimismo aseguran el uso sin fallas de la herramienta.

No encienda la herramienta si está en la posición indebida o si no está preparada para el trabajo.

Adopte la postura estable. Durante el trabajo asegura la posición correcta de las piernas y el equilibrio.

Mantenga limpio el lugar de trabajo. El desorden puede causar accidentes. Previamente quite todos los objetos ajenos de la zona de trabajo y asegúrese que no estén en el área de trabajo durante la operación.

No permita las sobrecargas de la herramienta.

Trabaje sólo con buena iluminación, natural o artificial. Queda prohibido el uso de la herramienta en condiciones de mala visibilidad.

Tenga cuidado, no permita caídas y golpes de la herramienta.

ATENCIÓN! Esté alerta. Trabaje prestando atención. Si se distrae, perderá el control. Use el sentido común.

Normas de seguridad utilizando las herramientas eléctricas

ATENCIÓN! El cumplimiento de las normas de seguridad utilizando las herramientas eléctricas previene el riesgo de la descarga eléctrica, accidentes, incendio. Lea atentamente estas normas antes de proceder a trabajar con la herramienta y cúmplalas rigurosamente.

Para mejorar la seguridad en materia de electricidad se recomienda la utilización del Dispositivo Diferencial Residual (DDR) con la corriente disyuntiva no más de 30 mA. Siempre cuando quiera utilizar la herramienta, compruebe el DDR. Consulte al electricista cualificado.



ADVERTENCIA! La utilización del DDR o cualquier otro dispositivo automático de desconexión no libra al usuario de cumplir las normas de seguridad y prácticas del trabajo seguro, recogidas en el presente manual.

El voltaje de la red debe corresponder al indicado en la pegatina y en el presente manual. No utilice otras

fuentes de alimentación.

Antes de conectar la herramienta al enchufe de red asegúrese de su buen funcionamiento y de que sus parámetros correspondan a los indicados en la tablilla de la ficha técnica.

Durante el funcionamiento de la herramienta no toque los objetos con la toma a tierra, tales como tubos, radiadores, hornillas y frigoríficos. Si su cuerpo está conectado a tierra, se incrementa el riesgo de la descarga eléctrica.



CUIDADO! El contacto con los elementos conductores de corriente puede provocar la descarga eléctrica, quemaduras y hasta la muerte.

No saque la clavija del enchufe tirando del cable.

No dañe el cable. Mantenga el cable de red fuera del contacto con los objetos calientes, engrasados, puntiagudos o en movimiento.

Vigile siempre la integridad del cable de conexión.

Queda prohibida la utilización de las herramientas eléctricas cerca de los líquidos o gases inflamables.

Antes de desplazar la herramienta al otro sitio, desenchúfela sin falta de la red de alimentación.



CUIDADO! Desenchufe siempre la herramienta de la red de alimentación antes de desconectar la unión por clavija o el cable-alargador.

Queda prohibido pasar la herramienta en funcionamiento por encima del cable alargador. Asegúrese de saber siempre dónde se sitúa el cable.

No conecte por su cuenta el cable-alargador a la herramienta directamente. Lleve el dispositivo al centro de servicio técnico autorizado más cercano.

Para evitar el peligro el cable dañado lo sustituirá sólo el fabricante, su representante o la persona con la cualificación similar.

En el caso de dañar o cortar el cable inmediatamente desenchufe la herramienta de la red de alimentación.



ATENCIÓN! PELIGRO DE RECIBIR DESCARGA ELÉCTRICA!

Tenga en cuenta las condiciones de trabajo. No encienda la herramienta eléctrica bajo la lluvia. Queda prohibida su utilización en las condiciones de humedad. El lugar de trabajo tiene que estar seco y bien iluminado. No exponga la herramienta a los efectos de humedad. No deje la herramienta por la noche al aire libre. La penetración del agua en la

herramienta eléctrica aumenta el riesgo de recibir la descarga eléctrica.

Compruebe periódicamente el estado del cable de alimentación. Antes de empezar a trabajar asegúrese de que no esté dañado ni presenta signos de desgaste. Si el estado del cable no es satisfactorio, no encienda la herramienta. Llévela al centro de servicio técnico autorizado.

Trabajando con la herramienta en el exterior utilice los cables-alargadores con el marcado correspondiente – aptos para trabajos exteriores. Durante la operación el cable se situará por detrás del usuario, fuera del área del trabajo. Evite el contacto del cable con las superficies mojadas, húmedas, engrasadas o calientes y con los materiales inflamables.

Excluya la posibilidad del encendido accidental de la herramienta: antes de encenderla, asegúrese de que el interruptor de alimentación (si procede) esté en la posición “apagado/off”.

Antes de encenderla quite las llaves inglesas o cerradas.

No utilice la herramienta si el interruptor está dañado (no enciende o no apaga el dispositivo). Cualquier herramienta con el interruptor defectuoso es peligroso y requiere la reparación obligatoria.



ADVERTENCIA! La utilización de las herramientas eléctricas puede provocar la formación del polvo cancerígeno.

Algunas de sus fuentes son: plomo de la pintura con base de plomo, silicio cristalino de ladrillos, cemento y otros materiales de construcción, arsénico y cromo de la madera tratada químicamente. Si durante el trabajo se forma el polvo, el grado de su efecto depende de la frecuencia con la que desempeña tal trabajo. **Para reducir el efecto de estas sustancias químicas, los trabajos durante los cuales se forma el polvo se realizarán en los locales bien ventilados y con medios de protección correspondiente, tales como la mascarilla especial para el trabajo con micropartículas.**

Si la herramienta ha sufrido el golpe exterior, antes de volver a encenderla y continuar con el trabajo, asegúrese de que no haya resultado dañada y en el caso necesario realice la reparación correspondiente.

Si la herramienta ha comenzado a vibrar demasiado, desconéctela y averigüe la causa. La vibración suele indicar una falla.

Desconecte la herramienta y espere hasta que pare completamente en el caso de que tenga que apartarse de la herramienta, realizar la reparación o mantenimiento técnico, o comprobar algo o limpiar el dispositivo.



Queda prohibida la sustitución o cambio en los componentes interiores del dispositivo.

Normas de seguridad específicas

- Asegúrese de que todos los dispositivos montados sobre el disco de sierra se encuentren en un estado perfecto para el trabajo.
- Asegúrese de que el disco de sierra esté montado correctamente.
- No utilice los discos de acero extrarrápido que no se adaptan a las condiciones técnicas indicadas en el presente manual.
- Antes de serrar, quite todos los clavos y otros objetos metálicos de la pieza a labrar.
- No empiece a serrar hasta que el disco de sierra consiga su velocidad máxima.
- La sierra circular puede retirarse del sitio de trabajo sólo después de haberla desconectado y haber parado el disco de sierra.
- No intente nunca rebajar la velocidad del disco de sierra ejerciendo presión en su lado.
- Asegúrese de que el diámetro de salida de la brida interior corresponda al del orificio interior del disco de sierra.
- En el trabajo utilice sólo los discos de sierra afilados, que no presenten defectos. Sustituya de inmediato los discos de sierra que presenten grietas, estén doblados o desafilados.
- La dirección de la flecha en el disco de sierra siempre coincidirá con la dirección de la flecha en la camisa protectora de la sierra circular.
- Queda prohibido retirar los dispositivos de seguridad de la sierra circular antes de proceder a serrar.
- Cuando se sierran unas pequeñas piezas que son demasiado ligeras para fijarse con su propio peso, es necesario utilizar los dispositivos de fijación.
- Queda prohibido serrar las piezas que contienen amianto.
- Bajo ningunas circunstancias toque con las manos el disco de sierra en rotación.
- No opere con la sierra circular manteniéndola por encima de la cabeza.
- No bloquee la camisa protectora móvil, no permita que le entre aserrín. En el caso necesario pare la sierra circular y no reanude el trabajo hasta reparar la falla.
- Mantenga las manos fuera de la zona del corte y del disco de sierra. Mantenga la otra mano en el mango auxiliar o sobre el cuerpo del motor.
- Durante el sierra nunca mantenga la pieza en las manos o cruzando la pierna. La pieza se fijará sobre una plataforma estable.
- Antes de cada uso asegúrese de que el dispositivo protector esté debidamente cerrado.

En el caso de atasco del disco de sierra o al interrumpir el sierra por cualquier motivo, suelte el mecanismo de arranque y mantenga la sierra inmóvil en la pieza hasta que el disco de sierra pare por completo. No intente sacar la sierra de la pieza labrada o tirar de ella en la dirección contraria mientras que el disco de sierra está en movimiento – eso puede provocar el rebote.

DESEMBALAJE

Al desembalar compruebe que todos los componentes estén incluidos. Para cotejarlo véase los esquemas del presente manual. Si se presenta el defecto u omisión de algunas de las partes, diríjase al centro de asistencia técnica de IVT.

CAUSAS Y PREVENCIÓN DEL REBOTE

1. El rebote siempre es provocado por el apriete, doblado o desplazamiento del disco de sierra, cuyo resultado es la pérdida del control de la cortadora, su salida de la pieza labrada en dirección al usuario.
2. Si el disco de sierra quedara atrapado o apretado en el corte, éste se retiene, con eso la herramienta hace el movimiento rápido hacia atrás, hacia el usuario.
3. Si el disco de sierra se dobla o se desplaza en el corte, los dientes del extremo posterior de la cuchilla, pueden meterse en la superficie exterior de la madera, con eso la cuchilla sale del corte y rebota en dirección hacia el operador.
4. El rebote es el resultado de la utilización incorrecta de la herramienta y/o del incumplimiento de las normas y condiciones de la operación. Para evitar el rebote es preciso cumplir las siguiente medidas de seguridad:
 - Sujete firmemente la sierra con ambas manos, con eso la posición de las manos y del cuerpo tiene que asegurar la resistencia al rebote cuya fuerza puede controlarse por el operador que toma las debidas medidas de precaución.
 - Si el disco de sierra quedara atrapado o Ud. necesita parar el trabajo por cualquier motivo, suelte el dispositivo de arranque sin mover la sierra en la pieza, dejando que el disco de sierra se pare por completo.
 - No intente sacar la sierra de la pieza labrada o tirar de ella en la dirección contraria mientras que la cuchilla está en movimiento – eso puede provocar el rebote.
 - Localice la causa de atrapamiento del disco de sierra y elimínela.
 - El sierra de la madera húmeda, materiales de madera del árbol recién cortado o tratada a presión requiere una especial atención respecto a la prevención del rebote.
 - Evite cortar los clavos. Inspeccione y retire todos los clavos de la madera antes de serrarla.



- Con el arranque reiterativo de la sierra en la pieza labrada, coloque la sierra en el medio del corte de manera que los dientes no toquen el material. Si el disco de sierra quedara atrapado, al volver a arrancar, la herramienta puede desplazarse hacia atrás o soltarse de la pieza labrada.

- No permita que los paneles de gran tamaño se deflexionen/se encuerven. Eso podría causar el atrapamiento del disco de sierra y provocar el rebote. Recuerde que los paneles de gran tamaño pueden encuervarse bajo su propio peso. Monte los soportes debajo del panel por ambos lados - junto a la línea del corte y al filo del panel por otro lado del corte.

- No utilice los discos de sierra mal afilados o defectuosos.

- El disco de sierra mal afilado o instalado incorrectamente realiza el corte demasiado estrecho lo que provoca una fricción excesiva, el atrapamiento del disco del corte y el rebote.

- Antes de proceder a serrar/cortar, asegúrese de que las palancas de retención del ajuste de la profundidad del corte y del ángulo de inclinación del disco de sierra estén bien apretados y en buen estado. El cambio del ajuste del disco de sierra en el momento de corte puede provocar el atrapamiento y el rebote.

- La utilización de la sierra con una profundidad del corte excesiva aumenta la carga sobre la herramienta y el riesgo de torcedura de la cuchilla en el corte. Asimismo se aumente la superficie de la cuchilla con el riesgo de atrapamiento en el caso de cerrar el sierra.

- Sea especialmente precavido al realizar los cortes rectangulares en las paredes y otros objetos que tienen áreas imposibles de examinar. La parte del disco de sierra que haya salido fuera puede dañar los objetos o provocar el rebote.

INSTALACIÓN Y AJUSTE DE LOS ELEMENTOS DEL DISCO DE SIERRA



ATENCIÓN! Antes de realizar cualquier tipo de trabajo con la herramienta eléctrica, ésta debe desconectarse de la red eléctrica.

Sustitución del disco de sierra

- Ponga la herramienta en el filo de la camisa del motor eléctrico.
- Manteniendo la brida exterior (13) con ayuda de la llave fija (18), desenrosque el perno de fijación del disco de sierra (12) con ayuda de la llave de tuercas (18).
- Mueva el dispositivo móvil de protección (11) de la manera que entre por completo en la camisa protectora (4); eso es necesario para sacar libremente el disco de sierra (10). [F1]

- Sustituya el disco de sierra (10). Al instalar el disco de sierra (10) asegúrese de que el diámetro del orificio del disco corresponda al diámetro de la salida de la brida interior (20).

- Vuelva el dispositivo móvil de protección (11) a la posición inicial: los dientes del disco (10) deben estar totalmente cubiertos por el dispositivo móvil de protección (11).

- Instale la brida exterior (13) (el encaje de la brida exterior (13) se situará en dirección del disco del corte) y manteniéndola con ayuda de la llave fija (18), enrosque el perno de fijación del disco de sierra (12) con ayuda de la llave de tuercas (18). [F2]

EXTRACCIÓN DEL POLVO



La extracción del polvo permite prevenir la acumulación de una gran cantidad del polvo, incluido el del aire, y facilita notablemente la limpieza.

En el caso de un trabajo prolongado con la madero o utilizando la herramienta con fines comerciales con los materiales que producen un polvo nocivo, es preciso conectar la herramienta al correspondiente dispositivo de aspiración del polvo.

INICIO DE OPERACIÓN

Asegúrese de que el voltaje de la alimentación corresponda a los parámetros indicados en la tablilla de la herramienta que contiene la ficha técnica.

ENCENDIDO Y APAGADO [F3]

Encendido

Para encender la máquina, suelte y mantenga el botón de bloqueo (16) y apretar el interruptor (3).

Apagado

Para desconectar la máquina suelte el interruptor "encendido/apagado" (3).

INSTRUCCIONES DE OPERACIÓN

- Asegúrese de que la pieza a labrar esté firmemente fijada. Asegúrese de que la pieza a labrar esté cara abajo ya que de esta manera el filo inferior será labrado con mayor precisión.

- La herramienta tiene que estar conectada hasta que el disco de sierra (10) toque la pieza a labrar. No aplique una presión excesiva: el cortar no es un proceso rápido. La presión excesiva no agilizará el trabajo y provocará la sobrecarga de la herramienta.

- Sujete la herramienta con ambas manos por



ambos mangos; de esta manera se consigue el control necesario sobre la herramienta.

Las marcas para el corte indican la posición del disco de sierra (10) al realizar los cortes verticales y los cortes con el ángulo de 45°. Sería conveniente realizar un corte de prueba para evitar los errores en el proceso de operación. [F4]

Ajuste de la profundidad del corte

La presente herramienta dispone de la función de la modificación paulatina de la profundidad del corte. Para conseguir un corte preciso coloque la herramienta de manera que el disco de sierra (10) sobresalga del filo del material en 3 mm aproximadamente.

1. Afloje el tornillo de apriete del limitador de profundidad del corte (17).
2. Establezca la profundidad del corte necesaria de acuerdo con la marca en el limitador de profundidad del corte (2).

Apriete el tornillo de apriete del limitador de profundidad del corte (17). [F5]

Ajuste del ángulo del corte [F6]

La presente herramienta eléctrica dispone de la función de la modificación paulatina del ángulo del corte en el rango de 0° a 45°.

1. Afloje el tornillo de orejeta para ajustar el ángulo del corte (8) y el tornillo de apriete de la placa base (19).
2. Establezca el ángulo del corte deseado de acuerdo con la marca en el limitador de la inclinación del cuerpo (6).
3. Apriete los tornillos de apriete (8) y el tornillo de apriete de la placa base/placa guía (19).
4. En el caso necesario se puede aumentar o disminuir la profundidad del corte, subiendo o bajando la placa base (9).

Corte con ayuda de la guía paralela

La guía paralela (14) permite realizar el corte a lo largo del filo directo existente de la pieza a labrar, y asimismo realizar el corte de los tacos de igual anchura.

1. Afloje el tornillo de apriete de la guía paralela (7).
2. Establezca la anchura del corte necesaria de acuerdo con la marca en el limitador de la escala de la guía paralela (14).

Apriete el tornillo de apriete de la guía paralela (7). [F7]

MANTENIMIENTO Y ALMACENAMIENTO



ATENCIÓN! Antes de iniciar cualquier trabajo, relacionado con la herramienta, saque la clavija del enchufe de red.

Mantenga siempre limpia la herramienta y los orificios de ventilación. La limpieza periódica y el mantenimiento técnico aseguran el alto rendimiento y prorrogan la vida útil de su herramienta.

Si la herramienta de calidad a pesar de haber pasado las rigurosas pruebas de fábrica tiene falla, su reparación tiene que realizarse sólo en el servicio al consumidor autorizado de IVT.

Las tuercas, los tornillos y los pernos tienen que estar bien apretados – esa es la garantía de seguridad y del funcionamiento correcto del equipamiento.

Por motivos de seguridad sustituya los componentes desgastados y defectuosos.

Utilice sólo las piezas de repuesto originales. En el caso contrario, éstas no se ajustan bien lo que puede causar daño.

Almacene la herramienta en un lugar seco, fuera de alcance de los niños y lejos de los materiales inflamables.

Queda prohibido mojar la herramienta y echarle agua!

PROTECCIÓN DEL MEDIO AMBIENTE



Es preferible reciclar la materia prima para su reutilización que tirarla.

Las herramientas, los componentes y el embalaje se separan para su reciclaje lo que ayudará a proteger el medio ambiente.

Los componentes de plástico vienen marcados con la información de su reciclaje.

El presente manual está impreso en el papel reciclado sin utilización del cloro.



¡ATENCIÓN! ¡ES COMPLETAMENTE INACEPTABLE REALIZAR LA REPARACIÓN USTED MISMO O INTENTAR OCULTAR QUE LO HIZO! Solamente el personal técnico autorizado de IVT tiene el derecho de llevar a cabo las reparaciones y mantenimiento. No está permitido realizar cambios en la estructura interna del equipo. ESTAS ACCIONES NO SOLAMENTE SON LA BASE DE LA PÉRDIDA DE LA GARANTÍA, SINO QUE TAMBIÉN PUEDEN CAUSAR HERIDAS O LESIONES GRAVES.

CARACTÉRISTIQUES TECHNIQUES DE L'OUTIL

Modèle	CS-185-RC
Tension ~ Fréquence [V ~ Hz]	230 ~ 50
Puissance nominale [Wt]	1400
Fréquence de rotation vide [r/min]	5500
Diamètre Ø du disque [mm]	185
Diamètre Ø du trou du disque [mm]	25.4
Épaisseur du disque [mm]	1.2
Profondeur maximum du coup à 45° [mm]	62
Profondeur maximum du coup à 90° [mm]	45
Poids [Kg]	4.5
Classe de protection	II

LISTE DE DÉTAILS

1. Ouverture de dépoussiérage
2. Limiteur de profondeur de coupe
3. Interrupteur "marche/arrêt"
4. Coffre protecteur du disque
5. Manche auxiliaire
6. Limiteur d'inclinaison du corps
7. Vis de jonction du guide parallèle
8. Vis à oreilles de réglage d'angle
9. Plateau de base
10. Disque
11. Protection amovible
12. Vis de jonction du disque
13. Bride extérieure
14. Guide parallèle
15. Ouvertures de ventilation
16. Bouton de blocage
17. Vis de jonction du limiteur de profondeur de la coupe
18. Clé de serrage
19. Vis de jonction du plateau de base
20. Bride intérieure

CONTENU DE LA BOÎTE

Manuel d'instruction (1 pièce), guide parallèle (1 pièce), clé de serrage (1 pièce), mèche supplémentaire (1 pièce), jet de balais en carbone (1 pièce).

DESTINATION

Ce modèle de scie circulaire peut être utilisé pour le sciage des pièces en bois. L'outil est destiné uniquement à l'usage droitier.

RÈGLES DE SÉCURITÉ LORS DE L'UTILISATION

Règles générales de sécurité

Les règles de sécurité suivantes permettront d'exploiter l'appareil d'une manière adéquate et assurer votre propre sécurité. Veuillez lire attentivement ces informations.

Si vous prêtez cet appareil à une tierce personne, veuillez lui transmettre ces instructions.

Ce manuel d'utilisation et toute autre documentation joints à cet appareil doivent être conservés en cas de nécessité.

Suivez les recommandations indiquées sur les étiquettes de l'appareil.

Avant d'utiliser l'appareil, lisez attentivement les principes de contrôle de celui-ci et assurez-vous qu'il sera utilisé comme prévu et que vous pourrez le débrancher, le cas échéant.

En outre, le respect de ces règles simples vous permettra de garder l'appareil en bon état.

- Avant de l'utiliser, assurez-vous que l'appareil est correctement assemblé.

- Utilisez l'appareil uniquement pour son usage prévu.

- Vous trouverez sur l'appareil des précautions à prendre ou des symboles indiquant les mesures de précaution. Des accidents peuvent être évités grâce au bon sens, à l'attention et la préparation nécessaire de ceux qui effectuent l'exploitation, transport, maintenance, service technique et stockage de l'appareil.

- Ne laissez pas l'appareil sans surveillance.
- Conserver hors de la portée des enfants. Assurez-vous que les enfants ne joueront pas avec.
- L'appareil doit être inaccessible aux enfants et animaux domestiques. Assurez-vous que tout le monde



se trouve à une distance de sécurité lorsque l'appareil est branché.

- N'oubliez pas que lorsque l'instrument est en marche, son utilisateur est responsable de la sécurité des autres.

- L'utilisation de cet appareil est interdite aux personnes n'ayant pas lu ces instructions ; les enfants, les personnes qui n'ont pas atteint l'âge de travailler avec ce type d'appareil ; les personnes sous l'emprise de l'alcool, de drogues ou de médicaments. L'âge des utilisateurs peut être limité par la législation locale.



ATTENTION! La consommation d'alcool, de drogues ou de médicaments, la fièvre ou la fatigue peuvent nuire à votre capacité à réagir. Ne pas utiliser l'appareil dans les états mentionnés ci-dessus.

- Assurez-vous que tous les dispositifs de protection (le cas échéants) sont installés et en bon état.

- Il est interdit d'utiliser l'appareil comportant des défauts ou sans dispositif de protection ou coffres (si prévus).

- Assurez-vous que l'appareil ne comporte pas d'éléments endommagés ou non alignés (par exemple, vis, écrou, boulon, etc.). Vérifiez régulièrement que tous les vis et écrous soient bien serrés – ce qui garantit la sécurité nécessaire du travail avec l'appareil. Si nécessaire, remplacez ces pièces avant de commencer à travailler. Les défauts de l'appareil peuvent causer des blessures graves à l'utilisateur, ainsi qu'aux autres personnes.

- Portez des vêtements appropriés lorsque vous travaillez avec l'appareil. Ne mettez pas de vêtements trop amples ni de bijoux pouvant s'accrocher aux parties mobiles de l'appareil. Portez des vêtements adéquats pour le travail. Les vêtements et les chaussures doivent entièrement recouvrir les jambes pour les protéger contre d'éventuels fragments tombés. Ne travaillez pas les pieds nus ou en sandales ouvertes. Il est conseillé d'attacher les cheveux longs.

- Les manches et les manchons de l'appareil doivent être propres, secs et sans huile.

- Utilisez les moyens nécessaires de sécurité personnelle. Portez des gants et des lunettes de protection. Si vous travaillez avec les matériaux pulvérents ou en cas d'apparition de gaz d'échappement, mettez le respirateur. Si nécessaire, utilisez des chaussures à semelle antidérapante, un casque et des oreillettes. Si le niveau sonore dépasse 85 dB(A), il est indispensable d'utiliser des moyens de protection auditifs.



ATTENTION! Utilisez les moyens de protection individuelle ! Les dispositifs de protection et les moyens de protection individuelle préservent votre santé et celle d'autrui, et assurent l'exploitation de l'appareil sans panne.

- N'embrayez pas l'appareil s'il n'est pas sur la bonne position ou pas encore en état d'être utilisé.

- Choisissez une position stable. Surveillez la position des jambes et l'équilibre lors du travail.

- Assurez-vous que l'emplacement de travail est propre. Le désordre et la saleté peuvent causer des dommages. Enlevez tous les objets inutiles de la zone de travail et veillez à ce qu'ils ne s'y trouvent pas lors de l'exploitation de l'appareil.

- Évitez les surcharges de l'appareil.

- Effectuez les travaux uniquement à la lumière du jour ou avec suffisamment d'éclairage artificiel. Il est interdit d'utiliser l'appareil dans des endroits obscurs.

- Soyez vigilant – évitez la chute et les chocs de l'appareil.

ATTENTION! Restez vigilant. Prenez garde à ce que vous faites. Vous risquez de perdre le contrôle si vous êtes inattentif. Faites preuve de bon sens.

Règles de sécurité électrique

AVERTISSEMENT! Si vous respectez les règles de sécurité lorsque vous travaillez avec des appareils électriques, vous éviterez tout choc électrique, accident et incendie. Lisez attentivement ces règles avant de commencer à travailler avec l'appareil et respectez-les soigneusement.

- Pour une meilleure sécurité électrique, il est recommandé d'utiliser le disjoncteur à sensibilité différentielle inférieure à 30 mA. Vérifiez le disjoncteur à chaque utilisation. Consulter un électricien digne de confiance.



AVERTISSEMENT! L'utilisation du disjoncteur ou de tout autre dispositif de déclenchement automatique ne dispense pas l'utilisateur de respecter les règles de sécurité et de pratique du travail présentées dans ce manuel d'utilisation.

- La tension du secteur doit correspondre à celle indiquée sur l'étiquette et dans ce manuel d'utilisation. N'utilisez pas d'autres sources d'alimentation.

Mode d'emploi

· Avant de connecter l'appareil à la prise secteur, vérifiez si elle est en bon état et si ses paramètres correspondent à ceux indiqués dans le tableau de l'appareil.

· Lors du fonctionnement de l'appareil, évitez tout contact avec des objets mis à la terre tels que les câbles, radiateurs, cuisinières et réfrigérateurs. Le risque de choc électrique est accru lorsque le corps est mis à la terre.



ATTENTION! Le contact avec des éléments sous tension électrique peut causer un choc électrique, des brûlures voire entraîner la mort.

- Ne débranchez jamais l'appareil en tirant sur le cordon.
- N'abîmez pas le cordon. Conservez le cordon à l'abri de la chaleur, de l'huile, d'objets tranchants et de pièces en mouvement.
- Veillez toujours au bon état du cordon de raccordement.
- N'utilisez pas l'appareil électrique près de liquides inflammables et de gaz.
- Débranchez l'appareil du réseau électrique avant de le transporter dans un autre endroit.



ATTENTION! Débranchez l'appareil du réseau électrique avant de déconnecter la cheville de contact ou la rallonge.

- Ne portez pas l'appareil électrique au-dessus de la rallonge. Soyez vigilant et veillez toujours à savoir où se trouve le cordon.
- Ne raccordez pas vous-même la rallonge à l'appareil. Ramenez-le au Centre de service technique agréé le plus proche.
- A des fins de sécurité, le cordon endommagé doit être remplacé uniquement par le fabricant, son représentant ou une personne qualifiée.
- En cas de dommage ou de cordon sectionné, débranchez tout de suite l'appareil du réseau électrique.



AVERTISSEMENT! RISQUE DE CHOC ELECTRIQUE!

Prenez en considération les conditions de travail. Il est interdit d'embrayer l'appareil sous la pluie. Ne pas l'utilisez dans des conditions défavorables (humidité, eau). Le lieu de travail doit être propre et bien éclairé. N'exposez pas l'appareil à l'humidité. Ne pas le laissez dehors pendant la nuit. La

pénétration d'eau dans cet appareil électrique augmente le risque de choc électrique.

· Vérifiez régulièrement que le cordon électrique soit en bon état. Avant de commencer à travailler, vérifiez s'il n'est pas endommagé ou ne présente pas de traces d'usure. Si l'état de la rallonge n'est pas satisfaisant, ne branchez pas l'appareil. Ramenez-le au Centre de service après-vente.

· Pour les travaux à l'extérieur, utilisez la rallonge spécialement conçue à cet effet, comme indiqué sur l'étiquette – pour les travaux à l'extérieur. Lors du fonctionnement de l'appareil, le cordon doit se trouver en dehors de la zone de travail, derrière l'utilisateur. Conservez le cordon à l'abri des surfaces chaudes, huileuses, humides ou des matériaux inflammables.

· Pour éviter tout démarrage accidentel : avant de brancher l'appareil, assurez-vous que son interrupteur (le cas échéant) se trouve en position 'arrêt/off'.

· Retirez les clés de réglage avant de mettre l'appareil en marche.

· N'utilisez pas l'appareil si son interrupteur est en panne (il ne peut embrayer ou débrayer). Tout appareil ayant un interrupteur hors service est dangereux et doit être immédiatement réparé.



AVERTISSEMENT! L'utilisation d'appareils électriques peut provoquer l'apparition de poussière cancérogène.

Voici certaines sources: plomb de peinture en contenant, silice cristalline de brique, de ciment et d'autres matériaux de maçonnerie, arsenic et chrome de bois traité par des produits chimiques. Si de la poussière apparaît lors du travail, le degré de son influence néfaste dépend de la fréquence des travaux effectués.

Afin de diminuer l'influence de ces éléments chimiques sur l'organisme, il est important d'effectuer des travaux avec des matériaux produisant de la poussière dans des espaces bien aérés et avec des moyens de protection nécessaires tels que des respirateurs spéciaux pour le travail en présence de microparticules.

· En cas de choc extérieur à l'appareil, avant de redémarrer et continuer le travail, vérifiez bien qu'il ne soit pas endommagé et effectuez les réparations nécessaires, le cas échéant.

· Si l'appareil commence à trop vibrer, arrêtez-le immédiatement et trouvez-en la cause. La vibration annonce très souvent une future défaillance.

· Eteignez l'appareil et attendez l'arrêt total vous devez vous en éloigner, avant d'effectuer des réparations, remplacer des accessoires, toute vérification, nettoyage, résolution de problèmes ou



manipulation sur l'appareil.

- Il est interdit de remplacer ou changer toute pièce interne de l'appareil.

Règles particulières de sécurité

- Assurez-vous que tous les dispositifs montés au disque sont en bon état de fonctionnement.
- Assurez-vous que le disque est bien installé.
- N'utilisez pas les disques de l'acier rapide instrumental qui ne correspondent pas aux précifications techniques citées dans ce manuel d'utilisation.
- Avant de commencer le sciage, enlevez tous les clous et d'autres objets métalliques du détail.
- Ne commencez jamais le sciage avant que le disque n'atteigne sa vitesse maximum.
- La scie circulaire peut être retirée du lieu de travail seulement après le débrayage et l'arrêt complet du disque.
- Ne tâchez jamais de diminuer la vitesse du disque en le pressant sur son côté.
- Assurez-vous que le diamètre de l'avance de la bride intérieure correspond à celui du trou du disque.
- Utilisez seulement les disques aigus et exempts de défauts. Remplacez tout de suite les disques à fissure, courbés ou obtus.
- La direction de l'index sur le disque doit toujours correspondre à la direction de l'index sur le coffre protecteur de la scie circulaire.
- L'enlèvement des dispositifs protecteurs de la scie circulaire avant le sciage est absolument interdit.
- Lors du sciage des petits détails qui sont trop légers pour être immobilisés grâce à leur propre poids, il est nécessaire d'utiliser les dispositifs de blocage.
- Il est interdit de couper les pièces amiantifères.
- Il est absolument interdit de toucher des mains au disque tournant.
- N'utilisez pas l'outil en le montant au-dessus de votre tête.
- Ne bloquez pas la protection amovible, ne la laissez pas bouchée avec de la sciure. En cas de nécessité, arrêtez la scie circulaire et ne recommencez pas son usage avant de résoudre le problème.
- Gardez vos mains loin de la zone de sciage et du disque. Tenez votre deuxième main sur la manche auxiliaire ou sur le coffre du moteur.
- Ne tenez jamais le détail scié dans votre main ou sur votre jambe. Le détail doit être fixé sur un plateau stable.
- Vérifiez avant chaque usage si le dispositif protecteur est dûment recouvert.

Si le disque est coincé ou le sciage est arrêté pour telle ou telle raison, relâchez l'interrupteur et n'enlevez pas la scie du matériel jusqu'à ce que le disque ne s'arrête

absolument. Ne tâchez pas d'enlever la scie du détail ou de la tirer à l'autre sens pendant que le disque tourne – cela peut provoquer le rebondissement.

DÉBALLAGE

En déballant vérifiez bien si toutes les pièces et les dispositifs sont inclus. Regardez les dessins techniques présentés dans ce manuel d'emploi. En cas d'endommagement ou de l'absence des pièces quelconques nous vous prions de vous adresser au centre de service technique IVT.

COMMENCEMENT DU TRAVAIL

Assurez-vous que la tension d'alimentation correspond aux conditions, c'est à dire aux paramètres indiqués dans le tableau des données de passeport de l'outil.

CAUSES ET PRÉVENTIONS DES REBONDISSEMENTS

1. Le rebondissement est un saut brusque de la scie du détail travaillé vers l'utilisateur à cause du coincement, de l'enraiment ou du déplacement des disques.
2. Au cas où le disque est coincé ou resté dans la coupe, il s'arrête, et l'outil saute brusquement vers l'utilisateur.
3. Si le disque se courbe ou se déplace dans la coupe, les dents de la partie postérieure de la lame peuvent se coincer dans la masse de bois, et le disque sort de la coupe et saute vers l'utilisateur.
4. Le rebondissement se produit à cause de l'utilisation incorrecte de l'outil et/ou du manquement de l'ordre d'exploitation, soit lors du travail dans les conditions non favorables; les mesures de préventions suivantes aideront à éviter le rebondissement:

- Tenez bien la scie par vos deux mains de la façon que la position de vos mains et de votre corps assurent la résistance nécessaire au rebondissement dont la force peut être contrôlée à condition du respect des mesures de préventions correspondantes.

- En cas d'enraiment ou d'arrêt du disque ou si vous devez arrêter le travail pour telle ou telle raison, pressez l'interrupteur et attendez l'arrêt absolu du disque sans le faire sortir de la coupe.

- Afin d'éviter le rebondissement n'essayez pas de faire sortir la scie marchante du détail travaillé ou de la retirer.

- Observez la scie et essayez d'enlever la cause de l'enraiment.

- Le sciage du bois mouillé, des matériaux de bois frais ou travaillé sous pression exige une attention

particulière afin d'éviter le redondissement.

- Éviter le sciage des clous. Avant de commencer le sciage observez bien le mur et enlevez-en tous les clous et d'autres objets métalliques.

- Avant de recommencer le sciage du détail, mettez le disque juste au milieu de la coupe et assurez-vous que les dents ne touchent pas au matériel. En cas d'enraiment de la scie lors du recommencement du sciage, le disque peut se lever ou sauter.

- Évitez le fléchissement/gauchissement des grands panneaux. Cela peut provoquer le coincement du disque et le rebondissement. N'oubliez pas que les grands panneaux peuvent fléchir sous leur propre poids. Installez les supports de deux côtés sous les panneaux – l'un près de la ligne de coupe et l'autre près du bout éventuel de coupe.

- Interdit d'utiliser les disques endommagés ou obtus.

- Le disque obtus ou mal installé fait une coupe trop étroite ce qui provoque une friction excessive, le coincement du disque et le rebondissement.

- Avant de commencer le sciage, assurez-vous que les leviers de réglage de profondeur de coupe et d'angle du disque sont bien serrés et se trouvent en bon état de marche. Le changement du réglage du disque lors du sciage peut provoquer le coincement et le rebondissement.

En cas d'une trop grande profondeur de fente, la charge de l'outil et le risque du coincement du disque dans la coupe augmentent. Cela augmente également la surface du disque coincé en cas d'avarie.

Soyez très prudent lors de sciage des coupe rectangulaires dans les murs ou dans les autres objets avec les surfaces inaccessibles à examiner. La partie sortie du disque peut endommager les objets ou provoquer le rebondissement.

POSE ET AJUSTEMENT DES ÉLÉMENTS DU DISQUE



ATTENTION! Débranchez l'outil avant d'effectuer tout son service.

Changement du disque

1. Placez l'outil sur le bout du coffre de moteur électrique.

2. En tenant la bride extérieure (13) à l'aide de la clé à ergots (18), dévissez le vis de serrage du disque (12) à l'aide de la clé de serrage (18).

3. Bougez la protection amovible (11) de la façon qu'elle entre entièrement dans le coffre protecteur (4)

pour faire sortir librement le disque (10). **[F1]**

4. Rechangez le disque (10). Lors de la pose du disque (10) assurez-vous que le diamètre du trou du disque correspond au diamètre de l'avance de la bride intérieure (20).

5. Retournez la protection amovible (11) dans sa position initiale; les dents du disque doivent être entièrement recouvertes par la protection amovible (11).

6. Posez la bride extérieure (13) (l'emboîture sur la bride extérieure (13) doit être placée dans le sens de la rotation du disque) et en la tenant à l'aide de la clé à ergots (18), serrez le vis de jonction du disque (12) à l'aide de la clé de serrage (18). **[F2]**

EXTRACTION DE POUSSIÈRE



L'extraction de la poussière évite l'accumulation et la haute concentration de poussière dans l'air ambiant et facilite le ménage.

Lors d'un long travail avec le bois ou les matériaux d'usage commercial dégageant une poussière nuisible pour la santé, l'outil doit être branché à un dispositif de dépoussiérage extérieur correspondant.

EMBRAYAGE ET DÉBRAYAGE [F3]

Embrayage

Pour embrayer l'outil pressez le bouton de blocage (16) et en le tenant pressez l'interrupteur (3).

Débrayage

Pour débrayer l'outil relâchez l'interrupteur "marche/arrêt" (3).

INSTRUCTION D'UTILISATION

- Assurez-vous que le détail est bien fixé. Vérifiez que le parement du détail soit placé en bas car cette position assure le sciage plus précis du côté inférieur.

- L'outil doit être branché avant que le disque (10) ne touche au détail travaillé. Ne forcez pas l'outil: le sciage est un processus assez lent. La pression excessive n'accélèrera pas le travail mais provoquera la surcharge.

- Tenez les manches de l'outil avec vos deux mains; de cette façon vous assurez le contrôle nécessaire de l'outil.

- Les marques de coupe indiquent la position du disque (10) lors des coupes verticales et des coupes à 45°. Il est recommandé d'effectuer une coupe d'essai afin d'éviter les fautes lors du travail. **[F4]**



Réglage de la profondeur de coupe

Cet outil électrique a une option du changement doux de la profondeur de coupe. Vous pouvez obtenir la coupe précise en plaçant l'outil de la façon que le disque (10) dépasse la frontière du matériel à 3 mm environ.

1. Dévissez le vis de jonction du limiteur de profondeur de coupe (17).
2. Fixez la profondeur nécessaire de coupe correspondant à l'indication sur le limiteur de profondeur de coupe (2).

Serrez le vis de jonction du limiteur de profondeur de coupe (17). **[F5]**

Réglage de l'angle de sciage [F6]

Cet outil électrique a une option du changement doux de l'angle de sciage de 0° à 45°.

1. Dévissez le vis à oreilles de réglage d'angle de sciage (8) et le vis de jonction du plateau de base (19).
2. Fixez l'angle nécessaire de sciage correspondant à l'indication sur le limiteur d'inclinaison du corps (6).
3. Serrez les vis de jonction (8) et le vis de jonction du plateau de base/plateau de guidage (19).
4. Il est possible de diminuer ou d'augmenter la profondeur de la coupe en cas de nécessité en baissant ou en montant le plateau de base (9).

Sciage à l'aide du guide parallèle

Le guide parallèle (14) permet le sciage le long du bord droit du détail ainsi que le sciage des briques de la même largeur.

1. Dévissez le vis de jonction du guide parallèle (7).
2. Fixez la largeur nécessaire de la coupe correspondant à l'indication sur l'échelle graduée du guide parallèle (14).

Serrez le vis de jonction du guide parallèle (7). **[F7]**

MAINTENANCE, SERVICE TECHNIQUE ET STOCKAGE



ATTENTION! Avant de commencer toute manipulation avec l'appareil, débranchez-le.

- Assurez la propreté de l'outil et des ouvertures de ventilation. Le nettoyage et le service technique réguliers assureront le grand rendement et augmenteront la période de service de votre outil.
- Si un outil de bonne qualité, rigoureusement essayé à l'usine est tombé quand même en panne, la réparation ne doit être confiée qu'au service spécialisé de consommation IVT.
- Les vis, les écrous et les boulons doivent être bien serrés – c'est la garantie de la sécurité et d'un bon travail de l'outil.
- Pour votre sécurité il faut remplacer les pièces usées ou endommagées.
- Utilisez seulement les pièces originales du producteur. Sinon leur assemblage sera difficile ce qui pourra causer l'endommagement.
- Gardez l'outil dans un endroit sec et inaccessible pour les enfants, loin des matériaux inflammables.
- Il est interdit de mouiller l'outil et d'y verser de l'eau!

PROTECTION DE L'ENVIRONNEMENT



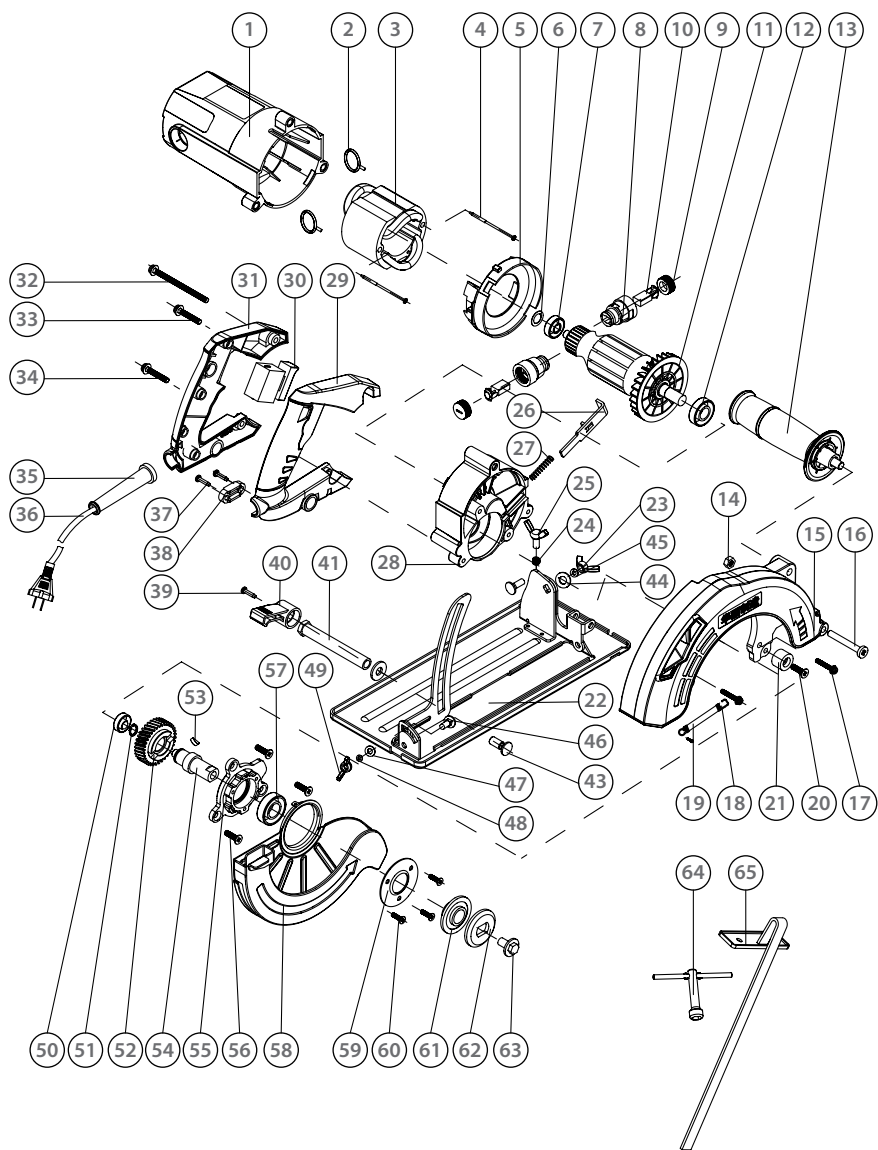
Le recyclage des matières premières pour une réutilisation est mieux que de les jeter.

L'appareil, les dispositifs et l'emballage sont triés pour être recyclés tout en protégeant la nature. Les éléments en plastique sont classés pour le recyclage. Ce manuel est imprimé sur du papier recyclé sans utilisation de chlore.



ATTENTION! IL EST INTERDIT DE REPARER L'ARTICLE PAR SES PROPRES MOYENS ET DISSIMULER CE FAIT! Seulement le centre de service autorisé IVT a le droit d'exécuter la réparation et l'entretien élargi. Il est interdit de modifier la construction interne de l'article! CES ACTIONS PEUVENT ANNULER LES OBLIGATIONS DE GARANTIE ET CAUSER LES ENDOMMAGEMENTS ET LES BLESSURES GRAVES.

CS-185-RC



SPARE PARTS LIST

Part	Description	Part	Description
1	Housing	34	Screw M5x40
2	Tension spring	35	Cable sleeve
3	Stator	36	Cable
4	Screw ST4x60	37	Screw ST4x14
5	Fan guard	38	Pressing board
6	Spacer Ø14xØ21	39	Screw M4x14
7	Bearing 608	40	Wrench
8	Brush holder	41	Locking bar
9	Brush holder cover	42	Spacer Ø18.5xØ20x2
10	Carbon brush	43	Screw M8x18
11	Rotor	44	Flat spacer M8
12	Bearing 6001	45	Spring washer M8
13	Auxiliary handle	46	Screw M6x16
14	Nut M6	47	Spacer Ø16xØ6.5x1
15	Gear box cover	48	Spring washer M6
16	Screw M6x44	49	Nut M6
17	Screw M5x20	50	Bearing 608
18	Spring	51	Circlip for shaft Ø15
19	Screw M4x8	52	Big gear
20	Screw M6x20	53	Woodruff key 4x13
21	Rubber pillar	54	Spindle
22	Base plate	55	Gear box spindle cover
23	Nut M8	56	Screw M5x16
24	Spring	57	Bearing 6002
25	Screw M5x16	58	Blade cover
26	Locking bar	59	Fixing plate
27	Spring	60	Screw M4x12
28	Gear box	61	Flange A
29	Right handle	62	Flange B
30	Switch	63	Screw M8x16
31	Left handle	64	Socket
32	Screw M5x75	65	Ruler
33	Screw M5x25		



tools for every use

IVT SWISS SA

**Via Cantonale, 2
CH-6917 - Barbengo
Switzerland**

**tel.: +41 (0) 91 6000 555
+41 (0) 91 6000 556
fax: +41 (0) 91 6000 557
e-mail: info@ivt-ht.com
web: www.ivt-ht.com**

КАЗАХСТАН

ТОО "Костанай IVT"

ул. Целинная, д.4
110000 г. Костанай
тел.: +7 (7142) 280 700
+7 (7142) 280 701
+7 (7142) 280 702
e-mail: ivt_dir@mail.ru
web: www.ivt.kz

РОССИЯ

ООО "Спектр Инструмента"

ул. Танкистов, 179 Б
454085 г. Челябинск
тел. - факс: +8 (351) 247 98 65
+8 (351) 247 98 67
+8 (351) 247 97 59
+8 (351) 225 04 67
+8 (351) 225 04 68
e-mail: ivt-s@mail.ru
alfia@ivt-ht.ru
sales@ivt-ht.ru
web: www.ivt-ht.ru

КЫРГЫЗСТАН

ОсОО "ОлАн-Техно"

ул. Медерова, д. 85
720031 г. Бишкек
тел.: +9960312 46 02 91
факс: +996772 57 66 27

