



www.ivt-ht.com | tools for every use



EN	Air compressor	8-17	KZ	Ауа сығымдағышы	38-47
DE	Luftkompressor	18-27	IT	Compressore	48-57
RU	Воздушный компрессор	28-37	FR	Compresseur d'air	58-67



AC-24PB



AC-50PB



AC-50PB2C



AC-70PB



AC-100PB

**EN****CONGRATULATION!**

Dear customer,

IVT team would like to thank you for your choice and for the confidence you put in our product.

Our aim is always to offer an innovative, high-class-strong and prize-adequate product to the customer.

We wish you'll get much satisfaction from all your do-it-yourself activities, by using this tool.

Your IVT Swiss SA Team

NOTE: Illustrations, figures, photos and contents might vary slightly due to our program of continuous product improvements.

RU**ПОЗДРАВЛЯЕМ!**

Уважаемый Покупатель,

Коллектив компании IVT благодарит вас за оказанное доверие и выбор в пользу нашей продукции.

Мы стремимся к тому, чтобы у наших покупателей была возможность пользоваться только современными, прочными и высококачественными продуктами.

Надеемся, что с нашими инструментами вы получите истинное удовольствие от работы.

С уважением, коллектив IVT Swiss SA

ПРИМЕЧАНИЕ: Рисунки, количественные данные, фотографии и содержание инструкции могут изменяться в силу постоянного усовершенствования нашей продукции.

DE**WIR GRATULIEREN!**

Sehr geehrter Kunde,

das Team der Firma IVT dankt Ihnen für Ihr Vertrauen und für die Wahl unserer Produktion.

Wir streben danach, damit unsere Kunden die Möglichkeit haben, nur moderne, feste und hochwertige Produkte zu benutzen.

Wir hoffen, dass mit unseren Werkzeugen Sie ein wirkliches Vergnügen von der Arbeit bekommen.

Mit freundlichen Grüßen, Team IVT Swiss SA

ANMERKUNG: Bilder, Mengenangaben, Fotos und der Inhalt der Anleitung können sich kraft der ständigen Nacharbeit unserer Produktion verändern.

KZ**ҚҰТТЫҚТАЙМЫЗ!**

Құрметті сатып алушы,

IVT компаниясының ұжымы Сізге бізге сенім артқаныңыз үшін және біздің өнімімізді таңдағаныңыз үшін алғыс білдіреді.

Біз Сіздерге инновациялық, жоғарғы классты және жоғары сапалы өнімді тиімді бағамен ұсынуға үнемі ұмтылып келеміз.

Біздің құралдарыңызбен сіз өз жұмысыңыздан рахаттанасыз деп үміттенеміз.

Ізгі ниетпен, IVT Swiss SA ұжымы

ЕСКЕРТУ: Суреттер, сандық мәліметтер және нұсқаудың мазмұны біздің өніміңіздің үздіксіз жетілуіне байланысты өзгеруі мүмкін.

**IT**

CONGRATULAZIONI!

Gentile cliente,

L'azienda IVT desidera ringraziarLa per la scelta e per la fiducia dimostrata nel nostro prodotto.

Il nostro obiettivo è offrire sempre prodotti innovativi che garantiscano un adeguato rapporto qualità/prezzo.

Le auguriamo che i suoi lavori di bricolage possano diventare un piacere, utilizzando il nostro prodotto.

La squadra IVT Swiss SA

Nota: illustrazioni, figure, foto e contenuti potrebbero variare leggermente a causa del nostro programma di continuo miglioramento del prodotto.

FR

FÉLICITATIONS!

Cher client,

Le personnel de l'entreprise IVT vous remercie pour votre choix et la confiance que vous portez à nos produits. Notre objectif est d'offrir à nos clients le plus moderne des produits, le plus sûr et de meilleure qualité à un prix raisonnable.

Nous souhaiterions que votre travail manuel soit, grâce à notre appareil, un véritable plaisir.

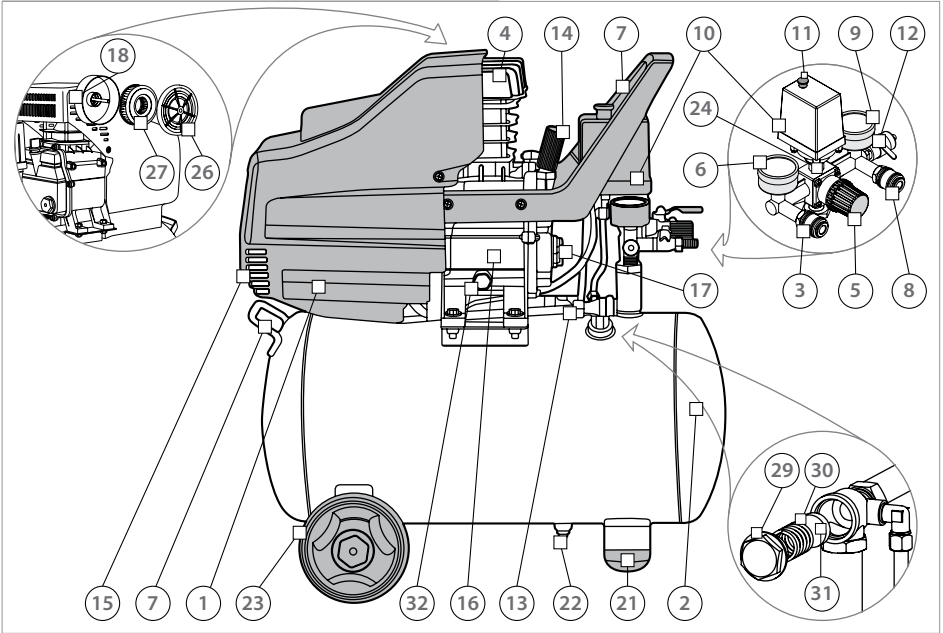
Le personnel de l'entreprise IVT Swiss SA est toujours à votre disposition.

REMARQUE: Les images, observations quantitatives, photographies et le contenu du manuel peuvent sensiblement changer du au perfectionnement permanent de notre produit.

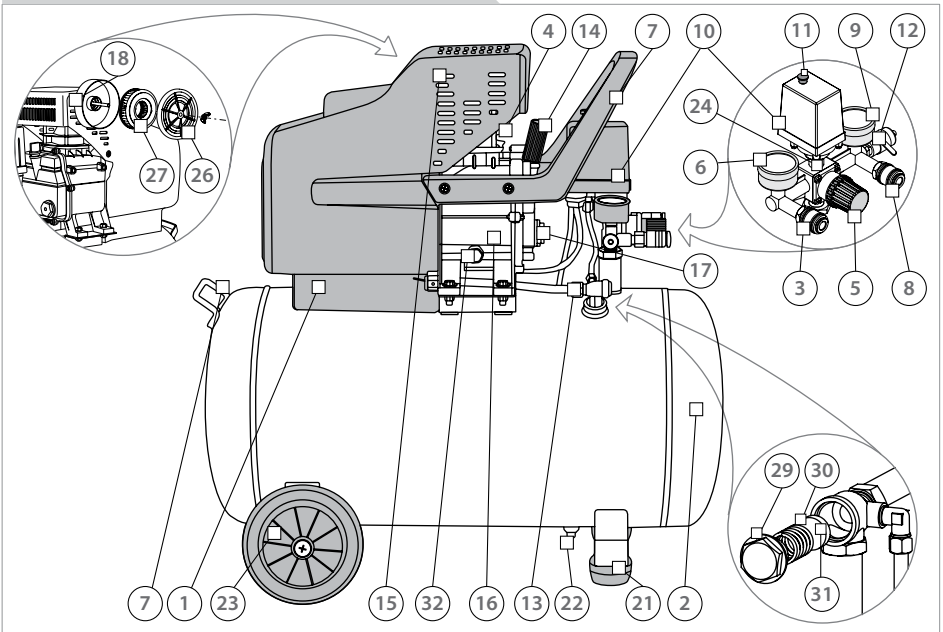




AC-24PB

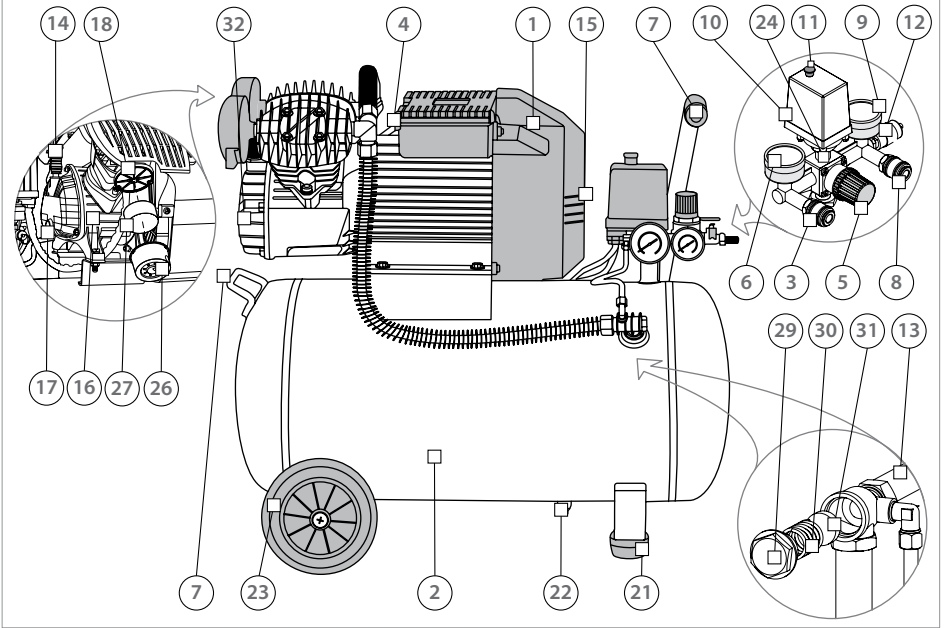


AC-50PB

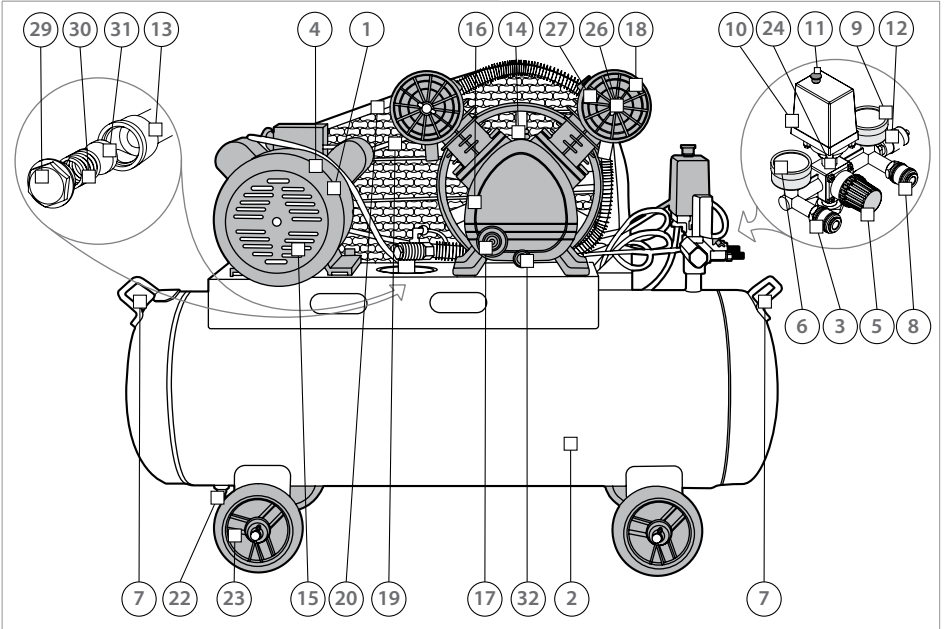




AC-50PB2C

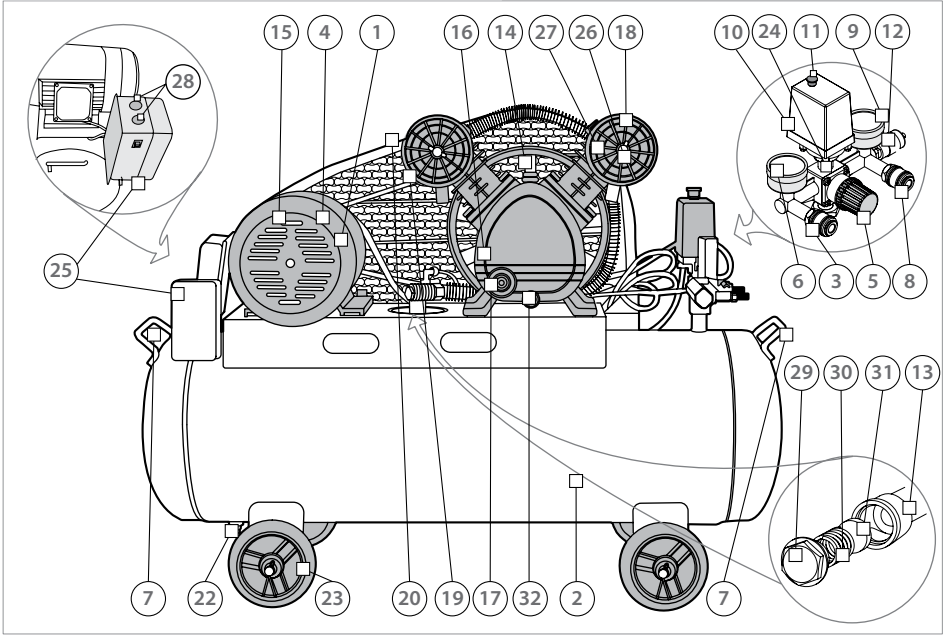


AC-70PB



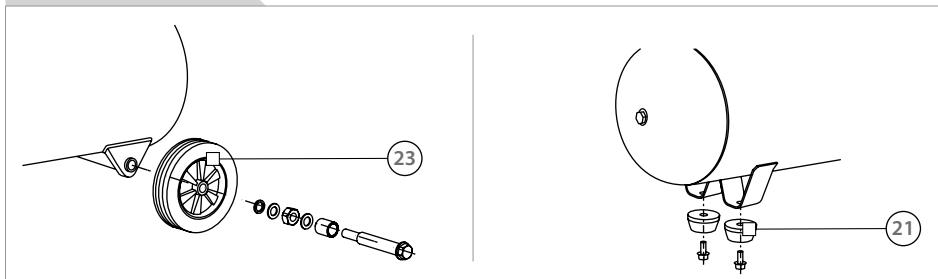


AC-100P

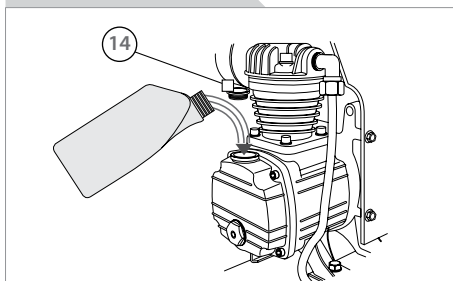




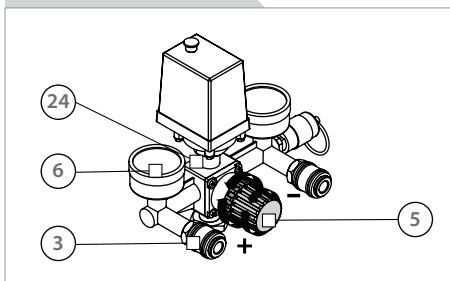
[F1]



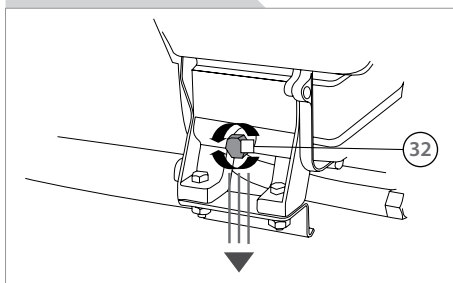
[F2]



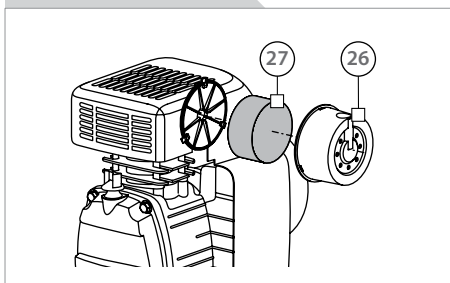
[F3]



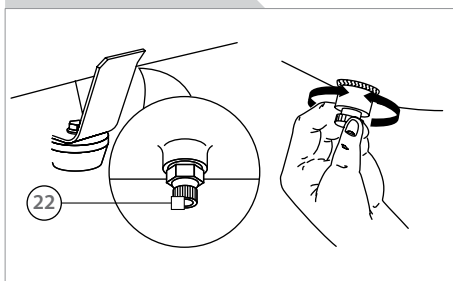
[F4]



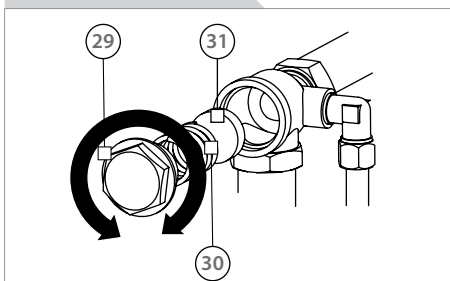
[F5]



[F6]



[F7]



TOOL SPECIFICATION

Model	AC-24PB	AC-50PB	AC-50PB2C	AC-70PB	AC-100PB
Voltage ~ Frequency [V ~ Hz]	230 ~ 50	230 ~ 50	230 ~ 50	230 ~ 50	400 ~ 50
Rated power [W]	1800	1800	2200	2200	4000
Engine power [HP]	2.5	2.5	3	3	5.5
No-load speed [RPM]	2800	2800	2800	1020	850
Productivity [L/min]	206	206	350	311	648
Working pressure [bar]	8	8	10	10	12.5
Air tank capacity [L]	24	50	50	70	100
Sound pressure level [dB(A)]	92 (K=3)	92 (K=3)	95 (K=3)	93 (K=3)	96 (K=3)
Sound power level [dB(A)]	92 (K=3)	92 (K=3)	95 (K=3)	93 (K=3)	96 (K=3)
Vibration level [m/s²]	71 (K=1.5)	71 (K=1.5)	71 (K=1.5)	300 (K=1.5)	300 (K=1.5)
Weight [kg]	22	30	42	75	95
Safety class	B	B	B	B	B

PART LIST

- Casing
- Receiver
- Connection nipple of the controlled pressure pipeline
- Electromotor
- Handle of the pressure reducer
- Pressure gauge of the controlled pressure pipeline
- Handle for transporting
- Pipe connector
- Pressure gauge of the pipe connector
- Automatic pressure switch
- On/Off switch
- Safety valve
- Pressure connector
- Oil tank plug (breather)
- Vents
- Compressor pump
- Inspection window
- Air filter
- Belt
- Belt cover
- Rubber feet
- Slide valve
- Wheel
- Pressure reducer
- Magnetic starter
- Air filter cover
- Filtering element
- Cap of the electric entry
- Non-return valve plug
- Non-return valve spring
- Non-return valve
- Drain plug for oil

CONTENT OF THE BOX

(AC-24PB; AC-50PB; AC-50PB2C)

Instruction manual (1 pc), wheels (1 set), pot with oil (1 pc), rubber feet (1 set), air filter (1 set), oil tank plug (breather) (1 pc).

(AC-70PB; AC-100PB)

Instruction manual (1 pc), wheels (1 set), pot with oil (1 pc).

INTENDED USE

This tool is intended for generating compressed air required for the operation of air tools; it is also intended for supplying various units and facilities with compressed air. It also allows keeping a constant pressure value in a pipeline.

SAFETY REGULATION FOR THE USE

General safety rules

The following listed safety instructions should serve you for the right use of the tool and for the protection of your own safety, therefore, please read this very carefully. When passing this tool to a third person, these instructions must be handed too.

Retain this user's manual and all other literature supplied with your tool for any future reference.

Comply with all the safety information and the warnings on the tool.

Be familiar with the controls and the proper use of the tool before attempting to use it and above all, make sure you know how to stop to use it in case of emergency.

Following these simple instructions will also maintain



your tool in good working order.

- The tool must be assembled correctly before use.
- Only use the tool for its designed purposes.
- On the tool, there may be also decals and further indications about the safety equipment to use that must be considered. The prevention of accidents is dependent upon the awareness, common sense and proper training of everyone involved in the operation, transport, maintenance and storage of the tool.
- Never leave the tool unattended.
- Never allow children to use the tool. Children should be supervised to ensure that they do not play with the tool.
- Keep children and pets away. All onlookers should be kept at a safe distance away from the tool when it is in use.
- The user is responsible for third parties while working with the tool.
- People who aren't acquainted with the operating instructions, children, juveniles who have not yet reached the minimum age for using this tool and people under the influence of alcohol, drugs or medication are not allowed to use the tool. Local regulations may restrict the age of the operator.



WARNING! The consumption of alcohol, medication and drugs, plus states of illness, fever and fatigue will affect your ability to react. Do not use this tool in any of these situations.

- Make sure that all the protective devices (if present) are fitted and are in good condition.
- Never operate the tool with defective safety devices or guards (if present), or without safety devices in place.
- Inspect the entire tool to look for loose parts (e.g. nuts, bolts, screws, etc.) and for any damage. Check at frequent intervals if screws and bolts (if present) are properly tight to be sure the equipment is in safe working condition. Repair or replace them, if necessary, before using the tool. Serious injury to the operator and to the bystanders could result if there's any damage to the tool.
- While using the tool, dress properly. Do not wear loose clothing or jewelry that could become caught by the tool. Wear suitable working clothes. It is recommended that legs and feet are covered, to protect them from eventual flying debris. Do not work barefoot or wearing open sandals. Long air should be tied back.
- Keep handles and grips dry, clean and free from oil and grease.
- Use proper protective equipment. Use safety glasses and safety gloves. Also use a dust mask during pulverulent operations or if exhaust gases are present. When necessary, use also non-slipping boots or shoes,

hardhat and earplugs. If the noise level exceeds 85 dB(A), ear protection is obligatory.



WARNING! Use personal protective equipment! Safety devices and personal protective equipment protect your own health and the health of others and ensure a trouble-free operation of the tool.

- Do not start to use the tool if it is in an inverted position or it is not in the right working order.
- Ensure that you have a good stand, while you operate with the tool. Keep proper footing and balance at all times.
- Keep work area clean. Cluttered areas invite injuries. Before use, all foreign bodies must be removed from the working area, also pay attention to foreign objects during operation.
- Do not force the tool.
- Only work in daylight or sufficiently good artificial light. Never operate the tool without good visibility.
- Be careful not to drop the tool or hit it against obstacles.

ATTENTION! Stay alert. Watch what you are doing. Distraction can cause you to lose control. Use common sense.

Electrical safety rules

ATTENTION! When using electrical tools, the following safety instructions should be observed to prevent the risk of electric shock, personal injury and fire. Read and observe these instructions carefully before using the tool.

- It is recommended for increased electrical safety to use a Residual Current Device (RCD) with a tripping current of not more than 30 mA. Always check your RCD every time you use it. Consult a reliable electrician.



WARNING! The use of an RCD or other circuit breaker unit does not release the operator from the safety instructions and safe working practices given in this manual.

- The main voltage must correspond to the one marked on the labels and on this manual. Do not use other sources of power.
- Before inserting the plug in the main socket, make sure that the socket ratings are correct and correspond to those indicated on the rating label on the appliance.



- Avoid body contact with grounded surfaces such as pipes, radiators, ranges and refrigerators. This increases risk of electric shock if your body is grounded.



CAUTION! Touching electrified parts may cause death by electric shock or burn.

- Never move the appliance by pulling at the cables.
- Do not abuse the cord. Keep it away from heat, oil, sharp edges or moving parts.
- Always guide the connection line safely.
- Do not use power tools near flammable liquids or gases.
- Always disconnect the appliance from the mains supply before transporting it to other places.



CAUTION! The appliance should always be switched off at the mains before disconnecting any plug and socket connector or extension cables.

- Never pass the appliance over its own cord or extension cable, while the tool is working. Make sure you always know where the cable is.
- Do not wire a power cable directly into your device yourself. Instead, take the device to your nearest authorized Service Center.
- To avoid danger, damaged power cord should be replaced by manufacturer or its agent, or similar qualified person.
- Immediately unplug the tool when its cable is damaged or cut.



ATTENTION! DANGER OF ELECTRIC SHOCK!

Consider working area environment. Do not expose power tools to rain. Do not use power tools in damp or wet locations. Keep work area well lit and dry. Try to prevent the device from getting wet or being exposed to humidity. Do not leave it outside overnight. Water entering a power tool will increase the risk of electric shock.

- The power supply cable should be checked regularly and, before using it, make sure the cable is not damaged or worn out. If the cable is not in good condition, do not use the appliance; take it to an authorized service Center.
- When tool is used outdoor, only use an extension cable that is suitable for outdoor use and which is

marked for this specific use. Keep it away from the working area, from damp, wet or oily surfaces and away from heat and flammable materials.

- Avoid any accidental starting: make sure that the power switch (if present) is in the «off» position, before plugging the tool in.
- Remove adjusting keys or wrenches before turning the tool on.
- Do not use the tool if the switch does not turn the tool on or off. Any tool that cannot be controlled with the switch is dangerous and must be repaired.



WARNING! During the use of certain power tools, some dust containing chemicals known to cause cancer, may occur.

Some of these chemicals are: lead from lead based paints, crystalline silica from bricks and cement and other masonry products, arsenic and chromium from chemically treated lumber and other dangerous products. If dust is present, your risk from these exposures varies, depending on how often you do this type of work. **To reduce your exposure to these chemicals, any time you do pulverulent operations, work in a well ventilated area and work with approved safety equipment, such as dust masks that are specially designed to filter out microscopic particles.**

- If the appliance strikes a foreign body, examine the device for signs of damage and carry out any necessary repairs before restarting and continuing to work.
- If the appliance starts to vibrate abnormally, turn it off and check for the cause immediately. Vibration is generally a warning of trouble.
- Always switch off the appliance and wait until the device completely stops whenever you leave the machine, before carrying out maintenance, before changing accessories, checking, cleaning, troubleshooting or working on the appliance.
- It is forbidden to move or modify any of the internal parts of the device.

Specific safety rules

- The machine is meant for air compression and should not be used for other purposes.
- Use not as specified, alteration of the device, use of parts not approved by the equipment manufacturer or use of improper accessories can cause unforeseeable damage!
- Any use for medical purposes, food processing as well as filling of oxygen cylinders for breathing equipment is not permitted.
- The machine is not intended for filling cylinders of self-contained underwater breathing apparatuses.



WARNING! Explosive, combustible gases or gases detrimental to health must not be compressed.

- When using the machine for different purposes (inflating, supplying pneumatic instruments and other units utilizing compressed air power, painting, washing etc...), the user is supposed to be aware of safety regulations for each specific case.
- Ensure all air tools and accessories used are designed for the working pressure or are supplied via a pressure regulator.
- The machine is intended for continuous unattended operation. Ensure that the machine is mounted far from inflammables and no external factors prevent the normal cooling of the machine.



WARNING! Operation in hazardous locations is not permitted.

- The machine must not be used in the areas with dust or containing explosive gases and vapours of aggressive substances.
- It is prohibited to leave the machine in the rain or snow as well as to operate it in high humidity.
- Do not touch the machine with wet hands.



WARNING! Do not direct a jet of compressed air at people, animals or at your own body. Do not direct a jet of compressed air (or sprayed substances) at the machine.

- Ensure all screwed connections are fully tightened at all times.
- Do not attempt to repair the device yourself! Only trained specialists are permitted to service or repair compressors, pressure vessels and air tools.



CAUTION! Risk of burns from the surfaces of parts carrying compressed air! Pay attention not to touch hot surfaces or hot parts. Let the device cool off before servicing.



WARNING! Never inhale air from the compressor either directly or from a breathing device connected to the compressor. Work in an area with good cross-ventilation.

- Use safety equipment! Wear hearing protection. Wear safety glasses. Wear mask respirator when work generates dust or mist detrimental to health.
- Please note that the compressor will start automatically when the pressure falls off to a minimum! – disconnect from power supply prior to any servicing. Start the machine only when a tool is connected. Connect and disconnect the tool only when the machine is off.
- Never unscrew any connecting parts when the receiver is in pressure condition.
- Do not leave compressed air in the receiver. Transferring or keeping machine with air not released from the receiver is prohibited.
- After the work is finished, wait until the machine is cooled down. Only then, the machine may be covered or encased in the protective casing.
- ATTENTION! The compressor should be located as close to the main supply as possible. NEVER USE an extension cord with this product. Use additional air hose instead of an extension cord to avoid power loss and permanent motor damage.
- ATTENTION! This appliance must be earthed with electrical grounding: failure to provide adequate grounding to this product could result in serious injury or death from electrocution.

UNPACKING

When unpacking, check to make sure that all components are included. Refer to the drawings on this manual. If any parts are missing or broken, please call an IVT assistance center.

ASSEMBLY INSTRUCTIONS

When performing the following operations, do not apply excessive force to tight fasteners. Inobservance of this requirement may lead to the damage of threaded joints.

Important! You must fully assemble the appliance before using it for the first time.

Mounting the wheels (23) and rubber feet (21) [F1]

In case the wheels (23) are not mounted on the machine, after unpacking, mount the wheels (23) and rubber feet (if present) appropriately.

Mounting the air filter (18)

If not already mounted, it's necessary to install the air

filter (18) on the machine.

- First, remove the transportation stop with a screwdriver or similar, and then screw the air filter (18) securely to the cylinder head.

INITIAL OPERATION

Always use the correct supply voltage: the power supply voltage must match the information quoted on the tool identification plate.

Checking the oil level



WARNING! BEFORE SWITCHING ON THE MACHINE FOR THE FIRST TIME, the breather plug must be installed. Remove the plastic transit plug (it's only a protective shipping plug) from the oil filter hole and replace it with the oil tank plug (breather) (14).

Before starting operation as well as during operating, it is necessary to check oil level in the tank through the inspection window (17). If oil level is low, then the machine should be filled up with oil.

1. Place the machine on the clean flat surface.
2. Clean with a cloth the area around the oil tank plug (14) and pull the oil tank plug (14) out.
3. Top up the oil tank with oil (do not exceed marks of maximal level).
4. Reinstall the oil tank plug (14). **[F2]**

Lubricating oil must be clean. Apply only recommended classes motor oil SAE30 if machine operates at temperature over 10°C, and SAE10, if machine operates at temperature lower than 10°C.



ATTENTION! Using the machine without oil or with insufficient oil volume is prohibited, as this may lead to the machine being broken down and can void the warranty.



WARNING! If necessity to top up the machine with oil arises during operating, the machine should be first switched off and disconnected from the power source, prior to starting filling up.

Checking the tension of the belt (19)

(AC-70PB; AC-100PB)

Check the tension of the belt (19). It is correct when

the belt (19) can be depressed downward 10-15 mm when applying pressure with fingers at the center of the belt (19). If the belt (19) is installed too tight, the electromotor (4) might be overloaded. This will cause the electromotor (4) to overheat. If the belt (19) is installed too loosely, it will slip and excessive wear and vibration will occur.

SWITCHING ON/OFF

Switching on

(AC-24PB; AC-50PB; AC-50PB2C; AC-70PB)

- Connect the device to the power source.
- Move the on/off switch (11) upwards.

(AC-100PB)

For this model, the voltage must be 400V.

- Connect the electric cable in the electric entry of the magnetic starter (25), after having removed the caps for electric entry (28) (if present).
- Put the starting button on the magnetic starter (25) on the ON position. The magnetic starter provides a safe method for starting an electric motor with a large load. It also provide overload protection and an automatic cutoff in the event of a power failure.
- Move the on-off switch (11) (if present) on the "on" position.

Let the compressor run for 10 minutes with no load to ensure lubricating the moving parts before regular service.

Switching off

(AC-24PB; AC-50PB; AC-50PB2C; AC-70PB)

- Move the on/off switch (11) downwards.
- Disconnect the plug from the socket.

(AC-100PB)

- Move the on/off switch (11) (if present) on the "off" position.
- Press the starting button on the magnetic starter (25) on the OFF position.
- Disconnect the machine from the source of power.



WARNING! Never disconnect the plug to stop the machine! Set the on/off switch (11) in position OFF, instead!

OPERATING INSTRUCTIONS

- Install the machine on a dry rigid flat surface, thus ensuring proper lubrication of the machine components.
- Make sure no water drops can reach the machine.
- The work area must be well ventilated.



- If it is necessary to transport the machine, first switch it off, disconnect it from the power source and release pressure from the receiver (2), afterwards, transfer the machine.
- When not using the machine, switch it off, remove the plug from the socket and discharge all the air in the receiver (2) and the connected tools.

Automatic pressure switch (10)

The automatic pressure switch (10) keeps a constant pressure value in the receiver (2), switching on or switching off the electromotor (4) of the machine, depending on compressed air consumption by attached units.

At machine switching on, the compressor starts to pump air into the receiver (2) through the pressure connector (13). After achieving the maximal pressure value (the value of this parameter is set by the factory at the compressor running), the automatic pressure switch (10) actuates and the machine electromotor (4) is deactivated.

Excessive air volume in the pressure connector (13) and compressor pump (16) is released through the non-return valve (31), so that there will be no excess pressure in the compressor pump (16) and in the pressure connector (13). In fact, the non-return valve (31) prevents backflow of air from the receiver (2) to the compressor head. This will reduce electromotor (4) load at the next start of the compressor.

When pressure drops to the minimal value, electromotor (4) will start operating and compressor will start pumping air into the receiver (2), until the maximal pressure is achieved. If the automatic pressure switch (10) fails to actuate, then overall pressure will be released through the safety valve (12). Repair should be carried out by an authorized IVT Service Centre.

Thermal protection (if present)

If the machine is equipped with thermal protection, this device will switch off the electromotor (4) at excessive loads (for example, when the air filter (18) is clogged) and at overheating. This prevents the machine electromotor (4) from excessive loads.

If the thermal protection is actuated, the machine should be switched off, and the cause which led to the protection actuating, should be eliminated. Then allow the machine to cool off, before restarting the operation.

Adjusting the pressure Pressure reducer (24)

The pressure reducer (24) allows adjusting outlet air pressure in the connection nipple (3) of the controlled pressure pipeline, depending on consumption.

Set required working pressure, - pressure value should

be read on pressure gauge (6):

- to decrease pressure: turn the pressure reducer handle (5) counterclockwise.
- to increase pressure: turn the pressure reducer handle (5) clockwise.

[F3]

NOTE: the machine design provides the adjustment of compressed air output pressure only in the nipple (3) of the controlled pressure pipeline. Output pressure in the pipe connector (8) is equal to receiver (2) pressure value; pressure value should be read on pressure gauge (9).

MAINTENANCE AND STORAGE



Before any work on the device itself, pull the mains plug.

- Always keep the tool and the ventilation slots (if present) cleaned. Regular cleaning and maintenance of the appliance will ensure efficiency and prolong the life of your tool.
- If the tool should fail despite the rigorous manufacturing and testing procedures, the repair should be carried out by an authorized IVT customer service.
 - Keep all nuts, bolts, and screws tight, to be sure the tool is in safe working condition.
 - Replace worn or damaged parts for safety.
 - Use only original spare parts. Parts not produced by manufacturer may cause poor fit and possible injury.
 - Store the tool in a dry room out of reach of kids and away from any flammable material.
 - Never wet the device or spray water on it!



CAUTION! Prior to starting any procedure, the machine should be obligatory disconnected, power cable should be taken out from the socket and receiver (2) pressure should be released (pull the ring of safety valve (12)).

Cleaning the machine

Exterior surfaces of the device should be cleaned after operation with a soft brush and cloth.

Do not use caustic substances or solvents for cleaning the machine.

Changing the oil

Regularly check the condition of the oil (every 6 months). It is necessary to change the oil after the first 30 hours of machine operation.



[F4]

1. Place the machine on a flat surface.
2. Place container for draining waste oil under the drain hole.
3. Screw out the drain plug (32) and wait until waste oil stops leaking from the drain hole.
4. Screw in the drain plug (32), fill up the oil tank with new oil.



ATTENTION! Dispose of the waste oil environmentally safe by taking it to a proper collecting point!

Air filter (18) maintenance

Regularly examine filtering element (27) of the air filter (18) (its clogging depends on various ambient conditions). Clean (or replace) the air filter as often as required, but no rarer than after 100 operating hours. A clogged air filter reduces compressor's efficiency and leads to the wearing of the compressor.



ATTENTION! Do not twist the filtering element (27), otherwise it may be damaged.

1. Place the machine on the flat surface.
2. Unscrew the fixing bolt (if present).
3. Grip with fingers the cover (26) and remove it.
4. Take out the filtering element (27).
5. Cleanse the filtering element (27) in alcohol or solvent.
6. Remove residual alcohol or solvent properly.
7. Set the filtering element (27) into the cover (26).
8. Place the cover (26) into its location and press it until plastic pawls are latched. Or tighten the fixing bolt (if present).

[F5]

Condensate draining

Periodically, as well as after stopping operating (if operation lasts more than one hour) drain condensate from the receiver (2). This prevents from forming corrosion inside the receiver (2).

1. Place the machine on a flat surface.
2. Place a container for condensate draining under the machine, under the slide valve (22).
3. Unscrew and remove the slide valve (22) and wait until condensate is completely drained and water drops stop falling from the slide valve (22).
4. Tighten the slide valve (22).

[F6]

Regular inspection of other components

- Regularly inspect the receiver (2) for damage or corrosion signs. In case of damage of the receiver (2), repairing on your own (mechanically or by welding) is prohibited. The damaged receiver (2) should be replaced completely, by an authorized IVT Service Centre.
- Check periodically and regularly the condition of the safety valve (12) and pressure gauge (9).
- Clean properly and periodically the compressor pump (16).

Inspection of the non-return valve (31) condition

If pressure drops in the receiver (2) at stopped compressor and cut off compressed air consumers, you should inspect the non-return valve (31).

1. Pull out the plug (29), take out the spring (30) and the non-return valve (31).
2. Clean (or replace, if necessary) the non-return valve (31). Clean also the seat where the non-return valve is located.
3. Place the non-return valve (31) and the spring (30) on their locations and tighten the plug (29).

[F7]

Transport

Transport the machine only by the handle (7). Moving the machine by other elements is prohibited.

Long term storage

If the machine is stored for a long time, oil should be completely drained from the oil tank.

- Do not store device unprotected outdoors or in damp environment.
- Do not lay device on its side for transportation or storing.

NOTE: when applying to an IVT Service Center because of problems with the machine, please make sure the oil tank is filled with 1/3 of the oil volume.

ENVIRONMENTAL PROTECTION



Recycle raw materials instead of disposing as waste.

Tool, accessories and packaging should be sorted for environment-friendly recycling.

The plastic components are labeled for categorized recycling. These instructions are printed on recycled paper manufactured without chlorine.



TROUBLESHOOTING



CAUTION! Switch off and remove plug from mains before investigating fault.

EN

Conventional trouble	Trouble reason	Remedy
<p>Electromotor (4) will not run</p>	<ul style="list-style-type: none"> · Incorrect power supply and/or wiring. Fault in power line or voltage insufficient. Undersized wires or circuits too long. · Fault in the automatic pressure switch (10) or in the on-off switch (11). · Thermal protection tripped, e.g. by insufficient cooling (e.g. vents (15) covered). · Fault in the electric electromotor (4). 	<ul style="list-style-type: none"> · Check power line for proper voltage. Check cables, plug, outlet and mains fuse. Make sure power is turned on. · Check and repair or replace. · Wait for electromotor (4) to cool. Free vents (15) if necessary. · Have the machine repaired by an authorized IVT Service Centre.
<p>Abnormal noise, excessive vibration, compressor knocks</p>	<ul style="list-style-type: none"> · Compressor not level. · Connecting parts or compressor valves loose or broken. · (AC-70PB; AC-100PB) Loose belt (19). · Excessive discharge pressure. · Wrong oil being used. · Non-return valve (31) knocks at low pressure. · Carbon deposits on pistons or valves. · Bearing, piston or connecting rod failure. 	<ul style="list-style-type: none"> · Level compressor. · Check, tighten loose components, replace worn parts. · Check belt (19) tension, adjust. · Reduce operating pressure. · Drain well and replace with proper oil. · Remove and clean non-return valve (31). · Clean. · Stop the compressor! Contact an authorized Service Centre.
<p>Compressor runs, but it does not build up sufficient pressure</p>	<ul style="list-style-type: none"> · Slide valve (22) of the receiver (2) leaky. · Non-return valve (31) leaky. · (AC-70PB; AC-100PB) Drive belt (19) slipping. 	<ul style="list-style-type: none"> · Check the condition of the slide valve (22), tighten it fingertight or replace if necessary. · Have the non-return valve (31) serviced by an authorized Service Centre · Tension the belt (19).
<p>Air tool is not supplied with sufficient pressure</p>	<ul style="list-style-type: none"> · Pressure reducer (24) not opened wide enough. · Hose connection between compressor and air tool leaky. · Pipe connector (8) closed. 	<ul style="list-style-type: none"> · Open pressure reducer (24) more. · Check air hoses, replace defective parts if necessary. · Check that the tap is open (where fitted). Check that the pressure reducer (24) is set to any value other than 0 (where applicable).



EN

Conventional trouble	Trouble reason	Remedy
Oil consumption too excessive	<ul style="list-style-type: none">· Clogged air filter (18).· Wrong oil being used, wrong viscosity.· Oil level too high.· Oil leaks.· Worn piston rings or damaged cylinder.	<ul style="list-style-type: none">· Clean air filter (18) or replace the filtering element (27) if necessary.· Drain well and replace with a proper oil.· Fill compressor with oil to the proper level.· Check and repair.· Have them repaired or replaced by an authorized IVT Service Centre.

If the problem cannot be remedied on the basis of the information above, please take the device to an authorized IVT Service Center.



ATTENTION! DO NOT ATTEMPT TO REPAIR THE PRODUCT BY YOURSELF AND DO NOT TAMPER WITH IT! Any operation of repairing or extraordinary maintenance must be carried out only by a qualified and authorized IVT Service Center. Do not try to modify any internal part of the product! **THIS WILL COMPLETELY VOID THE WARRANTY AND IT COULD CAUSE SERIOUS INJURY AND DAMAGE.**

TECHNISCHE DATEN DES WERKZEUGES

Modell	AC-24PB	AC-50PB	AC-50PB2C	AC-70PB	AC-100PB
Ladungsanstrengung ~ Rhythmus [V ~ Hz]	230 ~ 50	230 ~ 50	230 ~ 50	230 ~ 50	400 ~ 50
Nominalleistung [W]	1800	1800	2200	2200	4000
Motorleistung [HP]	2.5	2.5	3	3	5.5
Umdrehungsgeschwindigkeit bei des Zwischenhubes [RPM]	2800	2800	2800	1020	850
Aufnahmefähigkeit [l/min]	206	206	350	311	648
Arbeitsdruck [Bar]	8	8	10	10	12.5
Fassungsvermögen des Luftballons [L]	24	50	50	70	100
Schalldruck [dB(A)]	92 (K=3)	92 (K=3)	95 (K=3)	93 (K=3)	96 (K=3)
Schalleistung [dB(A)]	92 (K=3)	92 (K=3)	95 (K=3)	93 (K=3)	96 (K=3)
Vibrationsniveau [m/s ²]	71 (K=1.5)	71 (K=1.5)	71 (K=1.5)	300 (K=1.5)	300 (K=1.5)
Gewicht [kg]	22	30	42	75	95
Schutzklasse	B	B	B	B	B

ZUBEHÖRTEILE

- Gehäuse
- Luftzylinder
- Anschlussstutzen der Rohleitung mit dem regulierten Druck
- Elektromotor
- Der Griff des Reduziergetriebes des Drucks
- Manometer der Rohleitung mit dem regulierten Druck
- Tragegriff
- Verbindungsmuffe
- Manometer der Verbindungsmuffe
- Automatisches Druckrelais
- Umschalter
- Sicherheitsklappe
- Verbinder unter dem Druck
- Stößel des Öltanks (mit Entlüfter)
- Ventilationsöffnungen
- Kompressionspumpe
- Schaufenster
- Luftfilter
- Riemen
- Deckel des Riemens
- Gummibeinchen
- Schieberventil
- Rad
- Reduziergetriebe des Drucks
- Magnetstarter
- Deckel
- Filterelement
- Blindverschluß des Elektrischen Eingang
- Blindverschluß des unwiederbringliches Ventils
- Feder des unwiederbringliches Ventils

- Rückschlagventil
- Stößel für das Ölauslauf

BOXGEHALT

(AC-24PB; AC-50PB; AC-50PB2C)

Bedienungsanleitung (1 St.), Räder (1 Satz), Ölbehälter (1 St.), Gummibeine (1 Satz), Luftfilter (1 Satz), Stößel des Öltanks (mit Entlüfter) (1 St.).

(AC-70PB; AC-100PB)

Bedienungsanleitung (1 St.), Räder (1 Satz), Ölbehälter (1 St.).

VORAUSSICHTLICHE BENUTZUNG

Der vorliegende Kompressor ist für die Luftpressung, die für die Arbeit der pneumatischen Instrumente notwendig ist, und für die Zufuhr der zusammengesetzten Luft in verschiedenen Anlagen und Vorrichtungen vorbestimmt. Auch lässt er zu, den ständigen Druck in der Rohrleitung aufrechtzuerhalten.

ARBEITSSICHERHEIT BEI DER BENUTZUNG

Allgemeine Regeln der Arbeitssicherheit

Folgende Anleitungen zur Arbeitssicherheit helfen Ihnen das Werkzeug richtig benutzen und Ihre eigene Sicherheit gewährleisten. Deswegen lesen Sie sie besonnen und aufmerksam.

Im Falle der Übergabe des Werkzeuges für die



Benutzung eines Dritten, geben Sie ihm auch vorliegende Anleitungen der Arbeitssicherheit.

Behalten Sie diese Anleitung und sonstige Literatur, die mitgeliefert werden. Wenden Sie sich an sie, wenn die Fragen entstehen.

Folgen Sie strikt den Regeln der Arbeitssicherheit und Warnungen, die am Werkzeug angegeben sind.

Vor der Arbeit machen Sie sich mit der Werkzeugsteuerung bekannt, aber, vor allem, studieren Sie die Verfahren seines Nothalts.

Indem Sie diesen einfachen Anleitungen folgen, werden Sie Ihr Werkzeug im einwandfreien Zustand halten.

- Vor dem Einsatz ist das Werkzeug richtig zu montieren.
- Setzen Sie das Werkzeug streng zweckgemäß.
- Nehmen Sie Warnungstafeln und Hinweise am Werkzeug und studieren Sie sie aufmerksam. Aufmerksamkeit, vernünftiges Herangehen zur Arbeit und eine entsprechende Ausbildung von Personen, die am Betrieb, Transportieren, an der Wartung und Lagerhaltung des Werkzeuges teilnehmen, helfen Unfälle verhindern.
- Lassen Sie das Werkzeug ohne Aufsicht nicht.
- Lassen Sie die Benutzung des Werkzeuges durch Kinder nicht zu. Erlauben Sie den Kindern nicht, mit dem Werkzeug zu spielen. играть с инструментом.
- Lassen Sie das Auffinden von Kindern und Tieren in der Nähe des Werkzeuges nicht zu. Die, die den Wunsch haben, die Arbeit des Werkzeuges zu beobachten, sollen sich im sicheren Abstand von ihm befinden.
- Bei der Arbeit mit dem Werkzeug haftet der Benutzer für die Sicherheit von Dritten.
- Personen, die Bedienungsanleitung nicht studiert haben, Kinder, Minderjährige, die das Alter, das die Benutzung des Werkzeuges erlaubt, nicht erreicht haben, sowie Personen, die sich im Alkohol- oder Rauschzustand oder unter Wirkung medizinischer Präparate befinden, werden zur Arbeit mit dem Werkzeug nicht zugelassen. Das Alter des Bedienenden wird durch örtliche Rechtsvorschriften bestimmt.

- Prüfen Sie das Werkzeug in bezug auf den Bestand von losen Teilstücken (Muttern, Bolzen, Schrauben usw.) oder Beschädigungen. Um sichere Arbeit des Werkzeuges zu gewährleisten, prüfen Sie regelmäßig, ob Bolzen und Schrauben gut festgezogen sind (falls vorhanden). Bei Bedarf führen Sie vor dem Einsatz des Werkzeuges ihre Reparatur oder ihren Austausch durch. Im Falle des Einsatzes des beschädigten Werkzeuges können dem Bedienenden oder Dritten ernste Verletzungen zugefügt werden.

- Verwenden Sie bei der Arbeit eine entsprechende Arbeitskleidung. Weite Kleidung, Schmuckstücke können von beweglichen Teilen mitgenommen werden. Arbeiten Sie nur in entsprechender Arbeitskleidung. Schützen Sie ihre Beine und Füße vor auseinanderfliegender Feine. Arbeiten Sie barfuß oder in offenen Sandalen nicht. Tragen Sie langes Haar hinten zusammen.

- Halten Sie Haltegriffe und Halter trocken und sauber.

- Verwenden Sie entsprechende PSA. Verwenden Sie Schutzbrille und Handschuhe. Bei der Arbeit mit Pulvern oder bei dem Auswurf von Abgasen verwenden Sie den Staubrespirator. Bei Bedarf ziehen Sie gleitsichere Schuhe, den Schutzhelm und schützen Sie ihre Gehörorgane mit Ohrstöpseln. Wenn die Lautstärke 85 dB(A) überschreitet, verwenden Sie unbedingt Gehörschütze.



VORSICHT! Verwenden Sie persönliche Schutzausrüstung! Die Schutzeinrichtungen und PSA gewährleisten die Sicherung ihrer Gesundheit und die Gesundheit der Umstehenden sowie garantieren störungsfreie Arbeit des Werkzeuges.

- Lassen Sie das Werkzeug nicht an, wenn es umgedreht oder im Ruhezustand ist.
- Während der Arbeit nehmen Sie die Beharrungsstellung. Halten Sie immer das Gleichgewicht.
- Halten Sie die Sauberkeit im Arbeitsbereich ein. Auf den gesperrten Abschnitten ist ein hohes Niveau von Unfällen. Vor dem Einsatz des Werkzeuges räumen Sie von der Arbeitsfläche alle Fremdkörper auf sowie vermeiden Sie den Eintritt von Fremdkörpern unter das Werkzeug während der Arbeit.
- Drücken Sie stark auf das Werkzeug während der Arbeit nicht.
- Benutzen Sie das Werkzeug nur bei gutem Tages- oder Kunstlicht. Benutzen Sie das Werkzeug bei schlechter Sicht nicht.
- Lassen Sie das Werkzeug nicht fallen, lassen Sie den Anstoß des Werkzeuges auf irgendwelche Hindernisse nicht zu.



VORSICHT! Alkohol, einige Heilmittelpräparate und berauschende Mittel sowie Krankheit, Fieber und Müdigkeit vermindern die Geschwindigkeit der Reaktion. In oben genannten Fällen benutzen Sie das Werkzeug nicht.

- Versichern Sie sich, dass alle Schutzeinrichtungen (falls vorhanden) installiert und nutzungsfähig sind.
- Benutzen Sie das Werkzeug ohne Schutzeinrichtungen (falls vorhanden), oder falls sie beschädigt sind, nicht.



Bedienungsanleitung

VORSICHT! Gut aufpassen. Schauen Sie von dem durch das Werkzeug bearbeitenden Stück nicht weg. Indem man ablenkt, kann man die Steuerung verlieren. Arbeiten Sie vernünftig.

Regeln der elektrischen Sicherheit

ACHTUNG! Um den Stromschlag, die Schadenzufügung der Gesundheit oder die Entflammung bei der Verwendung von Elektrowerkzeugen zu vermeiden, muss man folgende Arbeitsschutzvorschriften beachten. Vor dem Einsatz des Werkzeuges lesen Sie diese Anleitungen und folgen Sie ihnen streng.

- Um ein entsprechendes Sicherheitsniveau sicherzustellen, empfiehlt es sich, die Differentialschutzanlage (DSA) zu verwenden, die auf den Abschaltstrom nicht mehr als 30 mA errechnet ist. Prüfen Sie die Einsatzfähigkeit der DSA bei jedem Einsatz. Lassen Sie sich von einem qualifizierten Elektriker beraten.



ACHTUNG! Der Einsatz der PSA oder einer anderen Einrichtung der Schutzabschaltung entbindet den Bedienenden von der obligatorischen Bekanntmachung mit Arbeitsschutzvorschriften und Methoden unfallfreier Arbeit, die in dieser Anleitung angegeben sind.

- Die Netzspannung soll dem Wert, der auf dem Etikett und in der Anleitung angegeben ist, entsprechen. Verwenden Sie andere Versorgungsquellen nicht.
- Vor der Anschaltung des Werkzeuges an das Netz versichern Sie sich, dass die Steckdose den Angaben, die auf dem Etikett angegeben sind, entspricht.
- Berühren Sie mit dem Körper geerdete Flächen (Röhre, Heizkörper und Kältevorrichtungen) nicht. Bei der Erdung durch den Körper erhöht sich das Risiko des Stromschlages.



VORSICHT! Zur Vermeidung der Verbrennung oder der Stromschädigung Leitstücke nicht berühren.

- Ziehen Sie für die Netzschnur bei der Verschiebung des Werkzeuges nicht.
- Benutzen Sie die Netzschnur mit Vorsicht. Schützen Sie die Netzschnur vor Wärmeeinwirkung, vermeiden Sie ihren Kontakt mit Schmierstoffen sowie mit scharfen

Sachen oder beweglichen Teilen.

- Seien Sie mit der Netzschnur vorsichtig.
- Verwenden Sie Elektrowerkzeuge in der Nähe von leichtentflammenden Flüssigkeiten und Brenngasen nicht.
- Bevor Sie das Werkzeug auf einen anderen Platz übertragen, schalten Sie es von dem Netz frei.



VORSICHT! Das Werkzeug ist zuerst auszuschalten und dann von der Steckdose oder Verlängerungsschnur freizuschalten.

- Drücken Sie die Netzschnur oder die Verlängerungsschnur während der Arbeit des Werkzeuges nicht durch und verwickeln Sie sie nicht. Haben Sie das Kabel immer im Auge.
- Schließen Sie das Netzkabel unmittelbar an das Werkzeug selbstständig nicht an. Wenden Sie sich an das nächste offizielle Dienstleistungszentrum.
- Bei der Schnurbeschädigung soll sie unbedingt der Hersteller oder sein Agent, oder eine andere sachkundige Person austauschen.
- Ziehen Sie umgehend den Stecker aus der Steckdose heraus, wenn die Netzschnur beschädigt oder eingeschnitten ist.



ACHTUNG! STROMSCHLAGEGFAHR!

Lenken Sie Ihre Aufmerksamkeit auf Ihren Arbeitsplatz. Benutzen Sie Elektrowerkzeuge unter Regen nicht. Benutzen Sie Elektrowerkzeuge in feuchten und nassen Räumen nicht. Halten Sie ihren Arbeitsbereich trocken, sichern Sie gute Beleuchtung. Schützen Sie das Werkzeug vor Feuchtigkeit. Lassen Sie das Werkzeug in der Freiluft über Nacht nicht. Beim Wassereindringen in das Werkzeug erhöht sich das Risiko des Stromschlages.

- Prüfen Sie die Netzschnur auf das Vorhandensein von Beschädigungen und Zeichen der Abnutzung regelmäßig und vor jedem Einsatz. Benutzen Sie das Werkzeug mit der beschädigten Netzschnur nicht; Wenden Sie sich an das offizielle Dienstleistungszentrum.
- Bei der Arbeit draußen verwenden Sie nur dafür bestimmte Verlängerungsschnur mit einer entsprechenden Markierung. Vermeiden Sie den Eintritt der Verlängerungsschnur unter das Werkzeug, schützen Sie sie vor Feuchtigkeit, vor Wärmeeinwirkung, vermeiden Sie den Kontakt mit Schmierstoffen und leichtentflammenden Stoffen.



- Vermeiden Sie zufälliges Anlassen des Werkzeuges: vor dem Anschluss des Werkzeuges an das Netz versichern Sie sich, dass der Schalter (falls vorhanden) in die Position 'off' (AUS) umgeschaltet ist.
- Vor dem Anlass des Werkzeuges entfernen Sie Einstellteile und Stellschlüssel.
- Benutzen Sie das Werkzeug mit dem gestörten Schalter nicht. Das Werkzeug mit dem gestörten Schalter ist gefährlich und erfordert die Reparatur.

- Der Gebrauch des Kompressors für die Auffüllung der Ballons der unabhängigen Unterwasseratmungsapparate ist nicht zugelassen.



ACHTUNG! Manchmal während der Arbeit mit Elektroinstrumenten bildet sich Staub, der die den Krebs erregende Stoffe enthält.

Zu solchen chemischen Stoffen gehören: Blei in Bleioxid, Quarz, der zum Bestand des Backsteins und des Zements gehört, Arsen und Chrom, die im Schnittholz, das durch chemische Reagens behandelt ist, enthalten sind, und sonstige schädliche Stoffe. Das Risiko der Einwirkung dieser chemischen Stoffe hängt von der Häufigkeit der Durchführung der mit ihnen verbundenen Arbeiten ab.

Um ihre schädliche Einwirkung zu reduzieren, arbeiten Sie in einem gut gelüfteten Raum und benutzen Sie entsprechende fehlerfreie PSA, z.B., Staubrespiratoren, die speziell für die Ausfilterung von mikroskopischen Teilchen entwickelt sind.

- Bei dem Eintritt eines Fremdkörpers unter das Werkzeug prüfen Sie es auf das Vorhandensein von Beschädigungen und machen Sie eine notwendige Reparatur.
- Bei dem Entstehen der Übervibration schalten Sie das Werkzeug aus und stellen Sie umgehend die Ursache fest. Die Vibration ist gewöhnlich ein Zeichen der Störung.
- Bevor Sie Ihren Arbeitsplatz verlassen, führen Sie die Reparatur, Sichtkontrolle oder Reinigung des Werkzeuges, schalten Sie es aus und warten Sie auf vollständiges Stoppen von beweglichen Teilen.
- Es ist verboten, die Innenteile des Werkzeuges abzumontieren und zu ändern.

Besondere Arbeitsschutzvorschriften

- Der Kompressor ist für die Luftkompression vorbestimmt und soll für andere Ziele nicht verwendet werden.
- Die bestimmungswidrige Anwendung, die Modifikationen, der Gebrauch der Teile, die vom Produzenten der Ausrüstung nicht bestätigt sind, oder nicht entsprechende Zubehörteilen können zum vorzeitigen Bruch des Kompressors bringen!
- Es ist verboten den Kompressor für den medizinischen Zweck, für den Nahrungszweck und auch für das Ausfüllen der Sauerstoffballons der Sauerstoff-Atmungsapparatur zu verwenden.



ACHTUNG! Die Kompression der explosiven, brennbaren oder gesundheitsschädlichen Gase wird verboten.

- Vor dem Gebrauch des Kompressors mit dem verschiedenen Zweck (die Lufteinblasung, die Luftzufuhr in die pneumatischen Vorrichtungen und die übrigen Geräte, die von der zusammengepressten Luft arbeiten, die Färbung, die Wäsche usw.) muss man sich mit den Arbeitssicherheitsregeln für jeden abgesonderten Fall bekannt machen.
- Stellen Sie fest, dass alle verwendeten pneumatischen Instrumente und die Vorrichtungen den Arbeitsdruck aushalten. Die Luft wird durch den Druckregler gereicht.
- Der Kompressor ist für die Dauerarbeit im automatischen Regime ausgelegt. Stellen Sie fest, dass der Kompressor fern von den sich entflammenden Stoffen montiert ist und sind die äußerlichen Faktoren nicht vorhanden, die die natürliche Abkühlung des Kompressors behindern.



ACHTUNG! Es ist verboten den Kompressor in den gefährlichen Grundstücken zu benutzen.

- Verwenden Sie den Kompressor auf den staubigen Plätzen und im Kreis der explosiven Gase und Schwaden, die Korrosion herbeirufen, nicht.
- Setzen Sie den Luftkompressor niemals Regen, Schnee auf und auch arbeiten Sie niemals an feuchten oder nassen Plätzen.
- Rühren Sie den Kompressor mit den nassen Händen nicht an.



ACHTUNG! Richten Sie den Strom der zusammengepressten Luft auf sich, der Menschen oder der Tiere nicht. Richten Sie den Strom der zusammengepressten Luft (oder der versprühten Stoffe) auf den Kompressor nicht.

- Prüfen Sie allen Bolzenverbindungen periodisch.
- Reparieren Sie das Instrument selbständig nicht! Die Bedienung und die Reparatur der Kompressoren, der Behälter unter dem Druck und der pneumatischen

Instrumente sollen die speziell ausgebildeten Fachkräfte erfüllen.



VORSICHT! Es gibt das Risiko des Brandwunderhaltens von der Oberfläche der Teile, die die zusammengepresste Luft übergeben! Rühren Sie die heißen Oberflächen oder die Teile nicht an. Kühlen Sie das Instrument vor der Bedienung ab.



VORSICHT! Atmen Sie die Luft aus dem Kompressor direkt oder über eine Atmungsanlage, die an dem Kompressor angeschlossen ist, nie ein. Führen Sie die Arbeit in den Plätzen mit guter durchlaufender Belüftung.

- Verwenden Sie die Schutzvorrichtungen! Verwenden Sie die Schutzhörer. Verwenden Sie die Schutzbrillen. Wenn sich während der Arbeit der gesundheitsschädliche Staub bildet, verwenden Sie die respiratorische Maske.
- Beachten Sie: beim Druckfall bis zu Minimum wird der Kompressor automatisch gestartet! – vor der Bedienung schalten Sie das Instrument von der Stromquelle aus. Starten Sie das Instrument, nur wenn es an das Netz angeschlossen ist. Bevor das Instrument vom Netz anzuschließen oder abzuschalten, schalten Sie es aus.
- Schrauben Sie die Verbindungsstücke los nicht, solange der Luftzylinder unter dem Druck sich befindet.
- Lassen Sie im Zylinder die zusammengepresste Luft nicht. Es ist verboten den Luftkompressor zu übergeben oder zu bewahren, wenn aus seinem Zylinder die Luft nicht hinausgelassen ist.
- Nach der Arbeitsvollendung warten Sie, bis der Kompressor abgekühlt wird. Kann man danach den Kompressor bedecken oder, es in die Schutzkappe unterbringen.
- **ACHTUNG!** Der Kompressor soll sich in nächster Nähe zur Stromquelle befinden. Verwenden Sie **NIE** Verlängerungsschnüre mit diesem Werkzeug. Statt der Verlängerungsschnur verwenden Sie einen zusätzlichen Druckluftschlauch, um den Verlust der Stromversorgung und ernste Motorbeschädigung zu vermeiden.
- **ACHTUNG!** Dieses Werkzeug soll geerdet werden! Elektrische Erdung: Ausbleiben der adäquaten Erdung dieses Werkzeuges kann zur ersten Verletzung oder zum tödlichen Ausgang bei der Strombeschädigung führen.

AUFSCHLUSS DER VERPACKUNG

Bei dem Aufschluss der Verpackung prüfen Sie das Vorhandensein des Zubehörs. Vgl. Zeichnungen zu dieser Anleitung. Bei dem Fehlen oder Defekt von einigen Teilen wenden Sie sich an das Dienstleistungszentrum IVT.

MONTAGEHINWEISE

Bei der Ausführung der folgenden Operationen legen Sie keine überflüssigen Bemühungen für das Festziehen der Befestigungsteile bei. Anders können die Gewindeverbindung beschädigt werden.

Wichtig! Sie sollen das Werkzeug vor seiner ersten Benutzung vollständig einbauen.

Montage der Räder (23) und Gummibeine (21) [F1]

Wenn die Räder (23) am Werkzeug nicht eingebaut sind, bauen Sie nach dem Entpacken Räder (23) und Gummibeine (falls vorhanden) sachgerecht ein.

Einbau des Luftfilters (18)

Wenn der Luftfilter (18) noch nicht eingebaut ist, bauen Sie ihn ein.

- Zuerst nehmen Sie mithilfe des Schraubendrehers oder eines ähnlichen Instrumentes die Transportstütze ab, und dann drehen Sie den Luftfilter (18) am Zylinderkopf sorgfältig zu.

BEGINN DES BETRIEBS

Der Spannungswert soll dem auf dem Schild der Passangaben angegebenen Wert des Werkzeuges entsprechen.

Ölstandkontrolle



VORSICHT! VOR DER ERSTEN EINSCHALTUNG DES WERKZEUGES ist es notwendig, den Stöpsel-Entlüfter einbauen. Ziehen Sie den Kunststofftransportpropfen (der nur zum Schutz beim Transport dient) aus der Ölfüllöffnung aus und ersetzen Sie ihn durch Stöpsel des Öltanks (mit Entlüfter) (14).

Vor dem Anfang, sowie während der Arbeitszeit muss man den Ölstand im Tank durch das Schaufensterchen (17) kontrollieren.

Wenn der Ölstand niedrig ist, tanken Sie den Kompressor.



1. Stellen Sie den Kompressor auf die reine ebene Oberfläche fest.
2. Reiben Sie mit dem Stoff das Gebiet um den Stöpsel des Öltanks (14) ab und ziehen Sie den Stöpsel heraus.
3. Füllen Sie den Tank mit dem Öl (die Zeichen des maximalen Ölstands darf man nicht übertreten).
4. Stellen Sie den Stöpsel (14) ein. **[F2]**

Verwenden Sie reines Schmieröl.

Verwenden Sie nur die motorischen Öle der empfohlenen Klasse: SAE30 bei der Arbeit des Kompressors bei der Temperatur über 10°C, und bei der Temperatur niedriger als -10°C - SAE10.

Anspringen des Elektromotors bei der hohen Belastung. Er gewährleistet auch den Schutz vor der Überlastung und die Selbstabstellung im Falle der Stromstörung.

- Stellen Sie den Schalter (11) (wenn es existiert) in die Lage «On» (einschl.).

Lassen Sie den Kompressor im leeren Lauf 10 Minuten laufen, um das Schmieren der sich bewegenden Teile zu gewährleisten.

Ausschalten

(AC-24PB; AC-50PB; AC-50PB2C; AC-70PB)

- Stellen Sie den Umschalter (11) nach unten.
- Ziehen Sie den Stecker der Steckdose aus.

(AC-100PB)

- Stellen Sie den Umschalter (11) (wenn es gibt) in der Lage «off» um(ausgeschalt.).
- Stellen Sie die Starttaste an dem Magnetanlasser (25) in die Lage „OFF“.
- Schalten Sie den Kompressor von der Stromquelle aus.



ACHTUNG! Es wird verboten, den Kompressor ohne Öl oder bei ungenügendem Ölstand zu verwenden, da es zum Bruch bringen kann und das Recht auf die Garantiereparatur annulliert.



WARNUNG! Wenn die Notwendigkeit der Nachtankung im Laufe der Arbeit entsteht, muss man den Kompressor zuerst ausschalten und, es von der Stromquelle abschalten.



VORSICHT! Schalten Sie die Netzschur für die Abstellung des Werkzeuges nie ab! Stattdessen stellen Sie den Zweifachschalter (11) in die Lage „OFF“!

Kontrolle der Riemenspannung (19)

(AC-70PB; AC-100PB)

Prüfen Sie die Spannung des Riemens (19). Der richtig gespannte Riemen (19) biegt sich auf 10-15 mm auf den Druck von den Fingern in der Mitte vom Riemen (19) durch.

Die übermäßige Spannung des Riemens (19) kann zur Überlastung des Elektromotors (4) bringen. Dabei wird der Motor (4) überhitzt. Der schwach gespannte Riemen (19) rutscht ab, was zum übermäßigen Verschleiß und dem Vibrationsentstehen bringt.

EINSCHALTEN / AUSSCHALTEN

Einschalten

(AC-24PB; AC-50PB; AC-50PB2C; AC-70PB)

- Schalten Sie den Kompressor zur Stromquelle an.
- Stellen Sie den Umschalter (11) nach oben.

(AC-100PB)

Für dieses Modell soll die Spannung 400 V sein.

- Schalten Sie das Elektrokabel zum magnetischen Starter (25) durch den elektrischen Eingang an, von ihm den Blindverschluss (28) abgenommen (wenn es gibt).
- Stellen Sie die Starttaste an dem Magnetanlasser (25) in die Lage „ON“. Der Magnetanlasser gewährleistet sicheres

BEDIENUNGSANLEITUNG

- Stellen Sie den Kompressor auf die trockene feste ebene Oberfläche fest, um das erforderlichen Einschmieren der Elemente zu gewährleisten.
- Bewahren Sie den Kompressor vom Wasser.
- Das Arbeitsgrundstück soll gut gelüftet sein.
- Für die Beförderung des Kompressors schalten Sie es zuerst ab, schalten Sie ihn von der Stromquelle aus und lassen Sie den Druck vom Zylinder (2)hinausgehen, wonach man den Kompressor versetzen kann.
- Wenn der Kompressor nicht verwendet wird, schalten Sie es ab, ziehen Sie den Stecker aus der Steckdose heraus und lassen Sie die Luft vom Zylinder (2) und den angeschalteten Instrumenten hinuntergehen.

Das automatische Druckrelais (10)

Das automatische Relais des Drucks (10) lässt zu, im Zylinder (2) den ständigen Druck aufrechtzuerhalten, schaltet ein oder schaltet den Elektromotor des Kompressors (4) aus, je nach der Stufe der zusammengepressten Luftkonsums der angeschalteten Vorrichtungen.

Bei der Einschaltung beginnt der Kompressor die Luft in



Bedienungsanleitung

den Zylinder (2) durch das spezielle Verbindungsstück (13) einzupumpen.

Bei dem maximalen Druck (dieses Parameterwert wird im Betrieb beim Durchgang des Kompressors festgestellt) läuft das Relais des Drucks (10) ab und der Motor (4) bleibt stehen.

Die überschüssige Luftmenge im Verbindungsstück (13) und in der Kompressionspumpe (16) läuft durch das Rückschlagventil (31) heraus, so in der Kompressionspumpe (16) und in dem Verbindungsstück gibt es keinen überschüssigen Druck (13). Das Rückschlagventil (31) verhindert den Rückstrom der Luft aus dem Zylinder (2) zum Oberteil des Kompressors. Dabei wird die Belastung zum Elektromotor (4) beim folgenden Start des Kompressors verringert.

Wenn der Druck bis zu Minimum fällt, es schaltet sich der Elektromotor (4) ein und den Kompressor pumpt die Luft in den Zylinder (2) ein, bis der Druck maximales Wert erreichen wird.

Wenn das automatische Relais des Drucks (10) nicht anspricht, wird der übermäßige Druck durch das Sicherheitsventil (12) gestürzt. Für die Reparatur wenden Sie sich an das offizielle Servicezentrum IVT.

Wärmeschutz (wenn es gibt)

Im Kompressor ist der Wärmeschutz vorgesehen, der den Elektromotor (4) im Falle der Überlastung abschaltet (zum Beispiel, bei der Verunreinigung des Luftfilters (18)) oder der Überhitzung. Die vorliegende Funktion schützt den Motor (4) von der Überlastung.

Bei dem Ablauf des Wärmeschutzes muss man den Kompressor ausschalten und, die Ursache entfernen. Warten Sie, bis den Kompressor abkühlt wird, und setzen Sie die Arbeit fort.

Druckregulierung

Reduziergetriebe des Drucks (24)

Das Reduziergetriebe des Drucks (24) lässt zu, den Luftdruck auf dem Ausgang aus dem Anschlussstutzen (3) der Rohrleitung mit dem regulierten Druck nach der Stufe des Konsums zu regulieren.

Stellen Sie den notwendigen Druck fest; der Druckwert ist auf dem Manometer (6) vorgeführt:

- Um den Druck zu verringern: drehen Sie den Griff des Reduziergetriebes des Drucks (5) gegen den Uhrzeigersinn um.
- Um den Druck zu erhöhen: drehen Sie den Griff des Reduziergetriebes des Drucks (5) im Uhrzeigersinn um.

[F3]

ANMERKUNG: Die Konstruktion des Kompressors lässt zu, den Druck der zusammengepressten Luft nur auf dem Ausgang aus dem Stutzen (3) der Rohrleitungen

mit dem regulierten Druck zu regulieren. Der Druck auf dem Ausgang der Verbindungsmuffe(8) gleicht dem Druck im Zylinder (2), der Druckwert ist auf dem Manometer (9) vorgeführt.

WARTUNG UND LAGERHALTUNG



VORSICHT! Bevor Sie die Arbeit mit dem Werkzeug beginnen, schalten Sie es von der Steckdose frei.

- Halten Sie das Werkzeug und Luftöffnungen (falls vorhanden) sauber. Regelmäßige Reinigung und Wartung garantieren eine hohe Effektivität und einen langen Betrieb des Werkzeuges.
- Im Falle des Versagens, ungeachtet der Einhaltung aller Regeln des Betriebes und der Erprobung des Werkzeuges, soll die Reparatur in einem offiziellen Dienstleistungszentrum IVT durchgeführt werden.
- Alle Muttern, Bolzen und Schrauben sollen festgezogen sein.
- Tauschen Sie beschädigte oder abgenutzte Teile aus.
- Verwenden Sie nur die Originalersatzteile. Die Teile, die von einem anderen Hersteller produziert sind, passen undicht und erhöhen das Risiko von Verletzungen.
- Bewahren Sie das Werkzeug auf einem trockenen für Kinder unzugänglichen Platz, in der sicheren Entfernung von leichtentflammenden Stoffen auf.
- Vermeiden Sie das Treffen des Wassers auf das Werkzeug!



ACHTUNG! Vor dem Anfang irgendwelcher Prozedur muss man den Kompressor abschalten, aus der Steckdose das Netzkabel herausziehen und, den Druck im Zylinder (2) stürzen (schlüpfen Sie den Ring des Sicherheitsventils (12)).

Reinigung des Kompressors

Nach der Arbeit ist es nötig die Oberfläche des Kompressors mit Hilfe der weichen Bürste und des Tuches zu reinigen.

Verwenden Sie für die Reinigung des Kompressors keinen ätzenden Stoffe oder die Lösungsmittel.

Ersatz des Öls

Periodisch prüfen Sie das Öl (Jede 6 Monate). Der Ersatz des Öls ist notwendig Nach ersten 30 Arbeitsstunden.

**[F4]**

1. Stellen Sie den Kompressor auf die flache Oberfläche fest.
2. Unterbringen Sie unter die Abflußöffnung den Container für den Ablass des durchgearbeiteten Öls.
3. Ziehen Sie den Pfropfen für den Abstieg des Öls (32) heraus und erwarten Sie, bis das durchgearbeitete Öl aufhören wird, aus der Abflußöffnung zu folgen.
4. Schrauben Sie den Pfropfen (32) zu, füllen Sie den Tank mit frischem Öl aus.



ACHTUNG! Entfernen Sie das durchgearbeitete Öl umweltgerecht, senden Sie es auf die entsprechende montierbare Station ab!

Bedienung des Luftfilters (18)

Regelmäßig untersuchen Sie das Filterelement (27) des Luftfilters (18) (seine Verunreinigung hängt von den Bedingungen der Umwelt) ab. Führen Sie die Reinigung (oder den Ersatz) des Luftfilters falls notwendig durch, aber nicht seltener, als nach jede 100 Arbeitsstunden. Der verunreinigte Luftfilter verringert den Wirkungsgrad des Kompressors und verstärkt seinen Verschleiß.



ACHTUNG! Verdrehen Sie das Filterelement (27) nicht, um seine Beschädigung zu vermeiden.

1. Stellen Sie den Kompressor auf die flache Oberfläche fest.
1. Lockern Sie den Halterungsbolzen (falls vorhanden).
2. Nehmen Sie den Deckel (26) ab.
3. Ziehen Sie das Filterelement (27) heraus.
4. Reinigen Sie das Filterelement (27) mit Hilfe des Spiritus oder des Lösungsmittels.
5. Pressen Sie das Filterelement ab.
6. Stellen Sie das Filterelement (27) in den Deckel (26) ein.
7. Stellen Sie den Deckel (26) auf die Stelle fest und legen Sie die Plastiklinken fest. Oder ziehen Sie den Halterungsbolzen fest (falls vorhanden).

[F5]**Entfernung des Kondensates**

Periodisch und nach der Arbeit (wenn die Dauer der Arbeiten mehr als eine Stunde ist) entfernen Sie das Kondensat aus dem Zylinder (2). So kann man die Korrosion innerhalb des Zylinders (2) verhindern.

1. Stellen Sie den Kompressor auf die flache Oberfläche fest.
2. Unterbringen Sie unter das Kolbenventil (22) des

Kompressors den Container für die Entfernung des Kondensates.

3. Drehen Sie das Kolbenventil (22) los und nehmen Sie es ab, und erwarten Sie bis zum vollen Ablass des Kondensates (die Abwesenheit der Tropfen des Wassers im Kolbenventil (22)).

4. Kehren Sie das Kolbenventil (22) um.

[F6]**Regelmäßige Besichtigung anderer Elemente**

- Schauen Sie den Zylinder (2) auf das Vorhandensein der Beschädigungen oder der Merkmale der Korrosion regelmäßig an. Es ist verboten, selbständig die Reparatur (mechanisch oder mit Hilfe des Schweißens) der Beschädigungen des Zylinders (2) zu erzeugen. Den beschädigten Zylinder (2) muss man völlig im offiziellen Servicezentrum IVT ersetzen.
- Prüfen Sie periodisch den Zustand des Sicherheitsventils (12) und des Manometers (9).
- Reinigen Sie periodisch die Kompressionspumpe (16).

Besichtigung des Rückschlagventils (31)

Wenn bei der Ausschaltung des Kompressors im Zylinder (2) der Druck fällt und es hört die Abgabe der zusammengepressten Luft auf, muss man den Zustand des Rückschlagventils (31) prüfen.

1. Nehmen Sie den Blindverschluss (29) ab, ziehen Sie die Feder (30) und das Rückschlagventil (31) heraus.
2. Reinigen Sie (oder bei Bedarf ersetzen Sie) das Rückschlagventil (31). Reinigen Sie auch das Netz des Ventiles.
3. Stellen Sie das Rückschlagventil (31) und die Feder (30) auf die Stelle fest und stellen Sie den Blindverschluss (29).

[F7]**Beförderung**

Für das Tragen des Kompressors verwenden Sie den speziellen Griff (7).

Es wird verboten, den Kompressor in anderer Weise zu versetzen.

Dauernde Lagerung

Für eine langwierige Aufbewahrung des Kompressors muss man völlig das Öl aus dem Tank zusammenziehen.

- Lagern Sie den Kompressor im Freien oder in feuchten Umgebungen nicht.
- Bei der Beförderung und der Lagerung wenden Sie den Kompressor auf die Seite nicht um.

ACHTUNG: Bei der Anrufung des Servicezentrums IVT überzeugen Sie sich, dass der Öltank auf 1/3 gefüllt ist.

UMWELTSCHUTZ



Befördern Sie Müll und Abfälle zur Überarbeitung!

Das Werkzeug, Zusatzgeräte und Verpackung sind zur ökologisch sicheren Überarbeitung zu befördern. Die Elemente aus Kunststoff haben einen Vermerk über die Möglichkeit einer klassifizierten Überarbeitung. Die vorliegende Anleitung ist auf dem Recyclingpapier, das kein Chlor enthält, gedruckt.

DE

AUFDECKUNG UND BESEITIGUNG VON STÖRUNGEN



VORSICHT! Bevor Sie das Werkzeug bezüglich der Defekte durchprüfen, schalten Sie es aus der Steckdose frei.

Typische Fehlfunktionen	Grund der Störung	Beseitigung der Störung
<p>Elektromotor (4) wird nicht gestartet</p>	<ul style="list-style-type: none"> · U n z u r e i c h e n d e Stromversorgung und/oder Kabelleitung. Fehlerhafte Stromleitungen oder unzureichende Spannung. Kabelleitung weniger als die Nennweite oder Schema zu groß ist. · Fehlfunktion des automatischen Druckschalters (10) oder des Schalters (11). · Hat der Wärmeschutz angesprochen, z.B. wegen der ungenügenden Stufe der Abkühlung (z.B., die Ventilationsöffnungen (15) geschlossen sind). · Der Bruch des Elektromotors (4). 	<ul style="list-style-type: none"> · Überprüfen Sie die Netzspannung der Stromversorgung. Prüfen Sie die Kabel, Stecker, Steckdose und Schutzvorrichtung des Netzes. Achten Sie darauf, das Gerät eingeschaltet ist. · Überprüfen Sie es und bei Bedarf erzeugen Sie die Reparatur oder den Ersatz. · Erwarten Sie, bis der Elektromotor (4) abgekühlt wird. Bei Bedarf befreien Sie die Ventilationsöffnungen (15). · Behandeln Sie ins offizielle Servicezentrum IVT.
<p>Ungewöhnliche Lärm, übermäßige Vibration, Klopfen</p>	<ul style="list-style-type: none"> · Der Kompressor steht ungleichmäßig. · Verbindungsstücke oder Ventile sind geschwächt oder beschädigt. · (AC-70PB; AC-100PB) der Antriebsriemen (19) ist geschwächt. · Übermäßiger Druck am Ausgang. · Das nicht empfohlene Öl verwendet ist. · Beim niedrigen Druck klopft das unwiederbringliche Ventil (31). · Rußansatz auf den Ventilen. · Lager, Ventil oder Anschlussstock sind beschädigt. 	<ul style="list-style-type: none"> · Stellen Sie den Kompressor gerade. · Erzeugen Sie die Sichtkontrolle, ziehen Sie die geschwächten Vereinigungen fest, ersetzen Sie die abgenutzten Details. · Prüfen Sie und regulieren Sie die Spannung des Antriebsriemens (19). · Verringern Sie den Arbeitsdruck. · Ziehen Sie das Öl zusammen und überfluten Sie das neue Öl laut den Empfehlungen. · Reinigen Sie das Ventil (31). · Erzeugen Sie die Reinigung. · Schalten Sie den Kompressor ab! Behandeln Sie ins offizielle Servicezentrum.



Typische Fehlfunktionen	Grund der Störung	Beseitigung der Störung
Kompressor arbeitet, aber der Druck ist ungenügend	<ul style="list-style-type: none"> · Das Kolbenventil (22) auf dem Zylinder (2) läuft. · Das Rückschlagventil (31) läuft. · (AC-70PB; AC-100PB durch) Antriebsriemen (19) schlüpft. 	<ul style="list-style-type: none"> · Schauen Sie das das Kolbenventil (22) an, ziehen Sie es manuell fest oder falls notwendig ersetzen Sie es. · Behandeln Sie ins offizielle Servicezentrum. · Spannen Sie den Antriebsriemen (19).
Druck im pneumatischen Instrument ist ungenügend	<ul style="list-style-type: none"> · Der Druckminderer (24) ist ungenügend breit geöffnet. · Schlauchanschluss zwischen dem Kompressor und Druckluftwerkzeug läuft. · Kupplung (8) ist geschlossen. 	<ul style="list-style-type: none"> · Öffnen Sie den Druckminderer (24) ein wenig breiter. · Prüfen Sie die Luftschläuche, ersetzen Sie die beschädigten Details, wenn es nötig ist. · Prüfen Sie, ob der Kran (wenn er existiert) geöffnet ist. Prüfen Sie, ob der Druckminderer (24) auf 0 bestimmt ist (wenn es anwendbar).
Übermäßige Aufwand des Öls	<ul style="list-style-type: none"> · Der Luftfilter (18) ist verunreinigt. · Es ist das nicht empfohlene Öl verwendet, unangemessene Höhe der Viskosität n. · Zu hohe Öl. · Das Öl läuft. · Die Kolbenringe sind abgenutzt oder der Zylinder ist beschädigt. 	<ul style="list-style-type: none"> · Reinigen Sie den Luftfilter (18) oder ersetzen Sie das Filterelement (27), wenn es notwendig ist. · Ziehen Sie das Öl zusammen und überfluten Sie das neue Öl laut den Empfehlungen. · Überfluten Sie das Öl bis zur notwendigen Höhe. · Erzeugen Sie Sichtkontrolle und Reparatur. · Erzeugen Sie die Reparatur oder den Ersatz im offiziellen Servicezentrum IVT.

Wenn auf Grund der oben angeführten Informationen das Problem nicht gelöst werden kann, wenden Sie sich bitte an ein offizielles Dienstleistungszentrum IVT.



ACHTUNG! ES IST VÖLLIG UNZULÄSSIG, DIE REPARATUR DES ERZEUGNISSES SELBSTÄNDIG DURCHZUFÜHREN UND ZU VERSUCHEN, IHRE SPUREN ZU VERBERGEN! Nur das autorisierte IVT-Service-Zentrum hat das Recht auf die Durchführung der Reparatur und erweiterte Aufrechterhaltung. Die Eintragung von Änderungen in den Innenausbau des Erzeugnisses ist verboten! SOLCHE HANDLUNGEN SIND NICHT DER GRUND FÜR DEN VERZICHT AUF DIE GARANTIEVERPFLICHTUNGEN, SIE KÖNNEN AUCH ALS GRUND FÜR BESCHÄDIGUNGEN UND ERNSTE KÖRPERVERLETZUNGEN SEIN.

ТЕХНИЧЕСКИЕ ХАРАКТЕРИСТИКИ ИНСТРУМЕНТА

Модель	АС-24РВ	АС-50РВ	АС-50РВ2С	АС-70РВ	АС-100РВ
Напряжение ~ Частота [В ~ Гц]	230 ~ 50	230 ~ 50	230 ~ 50	230 ~ 50	400 ~ 50
Номинальная мощность [Вт]	1800	1800	2200	2200	4000
Мощность двигателя [л.с.]	2.5	2.5	3	3	5.5
Частота вращения на холостом ходу [об./мин.]	2800	2800	2800	1020	850
Пропускная способность [л/мин]	206	206	350	311	648
Рабочее давление [бар]	8	8	10	10	12.5
Емкость баллона с воздухом [л]	24	50	50	70	100
Звуковое давление [дБ(А)]	92 (К=3)	92 (К=3)	95 (К=3)	93 (К=3)	96 (К=3)
Звуковая мощность [дБ(А)]	92 (К=3)	92 (К=3)	95 (К=3)	93 (К=3)	96 (К=3)
Уровень вибраций [м/с ²]	71 (К=1.5)	71 (К=1.5)	71 (К=1.5)	300 (К=1.5)	300 (К=1.5)
Вес [кг]	22	30	42	75	95
Класс защиты	В	В	В	В	В

КОМПЛЕКТУЮЩИЕ ДЕТАЛИ

1. Корпус
2. Воздухоприемный цилиндр
3. Соединительный штуцер трубопровода с регулируемым давлением
4. Электродвигатель
5. Рукоятка редуктора давления
6. Манометр трубопровода с регулируемым давлением
7. Ручка для переноски
8. Соединительная муфта
9. Манометр соединительной муфты
10. Автоматическое реле давления
11. Выключатель
12. Предохранительный клапан
13. Соединитель под давлением
14. Пробка масляного бака (с сапуном)
15. Вентиляционные отверстия
16. Компрессорный насос
17. Смотровое окошко
18. Воздушный фильтр
19. Ремень
20. Крышка ремня
21. Резиновые ножки
22. Золотниковый клапан
23. Колесо
24. Редуктор давления
25. Магнитный стартер
26. Крышка
27. Фильтрующий элемент
28. Заглушка электрического входа
29. Заглушка невозвратного клапана
30. Пружина невозвратного клапана

31. Невозвратный клапан
32. Пробка для спуска масла

СОДЕРЖИМОЕ КОРОБКИ

(АС-24РВ; АС-50РВ; АС-50РВ2С)

Инструкция по эксплуатации (1 шт.), колеса (1 комплект), емкость с маслом (1 шт.), резиновые ножки (1 комплект), воздушный фильтр (1 комплект), пробка масляного бака (с сапуном) (1 шт.).

(АС-70РВ; АС-100РВ)

Инструкция по эксплуатации (1 шт.), колеса (1 комплект), емкость с маслом (1 шт.).

ПРЕДПОЛАГАЕМОЕ ИСПОЛЬЗОВАНИЕ

Данный компрессор предназначен для сжатия воздуха, необходимого для работы пневматических инструментов, и для подачи сжатого воздуха в различные установки и приспособления. Также он позволяет поддерживать постоянное давление в трубопроводе.

ТЕХНИКА БЕЗОПАСНОСТИ ПРИ ИСПОЛЬЗОВАНИИ

Общие правила техники безопасности

Следующие инструкции по технике безопасности помогут вам правильно пользоваться инструментом и обеспечить собственную безопасность. Поэтому прочитайте их вдумчиво и внимательно.

В случае передачи инструмента для использования третьему лицу передайте и настоящие инструкции



по технике безопасности.

Сохраните данную инструкцию и прочую литературу, входящую в комплект поставки. Обращайтесь к ней в случае возникновения вопросов.

Строго следуйте правилам техники безопасности и предостережениям, указанным на инструменте.

Перед началом работы ознакомьтесь с органами управления инструмента, но, прежде всего, изучите способы его экстренной остановки.

Следуя этим простым инструкциям, и вы будете содержать ваш инструмент в исправном состоянии.

- Перед использованием инструмент необходимо правильно собрать.

- Используйте инструмент строго по назначению.

- Отнеситесь внимательно к предупредительным надписям и указаниям на инструменте и внимательно изучите их. Внимательность, разумный подход к работе и соответствующая подготовка лиц, задействованных в эксплуатации, транспортировке, обслуживании и хранении инструмента, помогут предотвратить несчастные случаи.

- Не оставляйте инструмент без присмотра.

- Не допускайте использования инструмента детьми. Не позволяйте детям играть с инструментом.

- Не допускайте нахождения вблизи инструмента детей и животных. Те, кто желает понаблюдать за работой инструмента, должны находиться на безопасном расстоянии от него.

- При работе с инструментом пользователь несет ответственность за безопасность третьих лиц.

- Лица, не ознакомленные с инструкциями по эксплуатации, дети, несовершеннолетние, не достигшие возраста, позволяющего использовать инструмент, а также лица, находящиеся в состоянии алкогольного или наркотического опьянения, либо под воздействием медицинских препаратов, не допускаются к работе с инструментом. Возраст оператора устанавливается местными нормативными актами.

- Осмотрите инструмент на наличие незакрепленных деталей (гаек, болтов, винтов и т.д.) или повреждений. Чтобы обеспечить безопасную работу инструмента, периодически проверяйте, хорошо ли затянуты болты и винты (если таковые имеются). При необходимости перед использованием инструмента проведите их ремонт или замену. В случае использования поврежденного инструмента оператору или посторонним лицам могут быть нанесены серьезные травмы.

- Используйте для работы соответствующую спецодежду. Просторная одежда, украшения могут быть затянуты движущимися частями. Работайте только в подходящей спецодежде. Защитите ноги и ступни от разлетающегося мусора. Не работайте босиком или в открытых сандалиях. Соберите длинные волосы сзади.

- Содержите ручки и рукоятки в чистоте и сухости.

- Используйте соответствующие СИЗ. Используйте защитные очки и перчатки. При работе с порошками или при выбросах выхлопных газов используйте противопылевой респиратор. При необходимости наденьте нескользкую обувь, каску и защитите органы слуха берушами. Если уровень шума превышает 85 дБ(А), обязательно используйте защитные наушники.



ОСТОРОЖНО! Пользуйтесь средствами индивидуальной защиты! Защитные приспособления и СИЗ обеспечивают сохранность вашего здоровья и здоровья окружающих, а также гарантируют бесперебойную работу инструмента.

- Не запускайте инструмент, если он перевернут или находится в нерабочем положении.

- Во время работы примите устойчивое положение. Постоянно сохраняйте равновесие.

- Соблюдайте чистоту на рабочем участке. На загроможденных участках наблюдается высокий уровень травматизма. Перед использованием инструмента уберите с рабочей площадки все посторонние предметы, а также избегайте попадания под инструмент посторонних предметов во время работы.

- Не давите на инструмент с силой во время работы.

- Используйте инструмент только при хорошем дневном или искусственном освещении. Не используйте инструмент в условиях плохой видимости.

- Не роняйте инструмент, не допускайте столкновения инструмента с какими-либо препятствиями.



ОСТОРОЖНО! Алкоголь, некоторые лекарственные препараты и наркотические вещества, а также состояние нездоровья, жар и утомление снижают скорость реакции. Не используйте данный инструмент в вышеперечисленных случаях.

- Убедитесь, что все защитные приспособления (если таковые имеются) установлены и пригодны к эксплуатации.

- Не используйте инструмент без защитных приспособлений (если таковые имеются), либо если они повреждены.

ОСТОРОЖНО! Будьте внимательны. Не отводите взгляд от обрабатываемого инструментом предмета. Отвлечись, можно потерять управление. Подходите к работе разумно.

Правила электробезопасности

ВНИМАНИЕ! Во избежание удара электрическим током, причинения вреда здоровью или возгорания при использовании электроинструментов необходимо соблюдать следующие инструкции по технике безопасности. Перед использованием инструмента прочтите и точно соблюдайте данные инструкции.

- Чтобы обеспечить соответствующий уровень безопасности, рекомендуется использовать устройство дифференциальной защиты (УДЗ), рассчитанное на ток отключения не более чем 30 мА. Проверяйте исправность УДЗ при каждом использовании. Проконсультируйтесь у квалифицированного электрика.



ВНИМАНИЕ! Использование УДЗ или другого устройства защитного отключения не освобождает оператора от обязательного ознакомления с правилами техники безопасности и приемами безопасной работы, указанными в данной инструкции.

- Напряжение сети должно соответствовать значению, указанному на ярлыке и в инструкции. Не используйте другие источники питания.
- Перед подключением инструмента к сети убедитесь, что розетка соответствует данным, указанным на ярлыке.
- Не прикасайтесь телом к заземленным поверхностям (трубами, радиаторами, батареями и рефрижераторами). При заземлении через тело риск удара электрическим током повышается.



ОСТОРОЖНО! Во избежание ожога или поражения электрическим током не прикасайтесь к электропроводящим деталям.

- Не тяните за шнур питания при перемещении инструмента.
- Пользуйтесь шнуром питания с осторожностью. Берегите шнур питания от воздействия тепла, избегайте его контакта со смазочными материалами,

а также острыми предметами или движущимися частями.

- Будьте осторожны со шнуром питания.
- Не пользуйтесь электроинструментами вблизи легковоспламеняющихся жидкостей и горючих газов.
- Перед тем, как переносить инструмент на другое место, отключайте его от сети.



ОСТОРОЖНО! Инструмент необходимо сначала выключить, а затем отсоединять от розетки или удлинителя.

- Не пережимайте и не запутывайте шнур питания или удлинитель во время работы инструмента. Не теряйте кабель из виду.
- Не подключайте силовую кабель напрямую к инструменту самостоятельно. Обратитесь в ближайший официальный центр обслуживания.
- При повреждении шнура питания его обязательно должен заменить изготовитель или его агент, или другой квалифицированный специалист.
- Немедленно извлеките вилку из розетки, если шнур питания поврежден или разрезан.



ВНИМАНИЕ! ОПАСНОСТЬ ПОРАЖЕНИЯ ЭЛЕКТРИЧЕСКИМ ТОКОМ!

Обратите внимание на ваше рабочее место. Не используйте электроинструменты под дождем. Не используйте электроинструменты во влажных и сырых помещениях. Содержите рабочий участок в сухости, обеспечьте хорошее освещение. Берегите инструмент от влаги. Не оставляйте инструмент на открытом воздухе на ночь. При попадании воды в электроинструмент повышается риск удара электрическим током.

- Регулярно и каждый раз перед использованием проверяйте шнур питания на наличие повреждений и признаков износа. Не используйте инструмент с поврежденным шнуром питания; обратитесь в официальный центр обслуживания.
- При работе на улице используйте только предназначенные для этого удлинители с соответствующей маркировкой. Избегайте попадания удлинителя под инструмент, берегите его от влаги, от воздействия тепла, избегайте контакта со смазочными материалами и легковоспламеняющимися веществами.
- Избегайте случайного запуска инструмента: перед подключением инструмента к сети убедитесь,



что выключатель (при наличии) переведен в положение 'off' (выкл.).

- Перед включением инструмента удалите установочные клинья и ключи.
- Не используйте инструмент с неисправным выключателем. Инструмент с неисправным выключателем представляет опасность и требует ремонта.



ВНИМАНИЕ! Иногда во время работы с электроинструментами образуется пыль, содержащая вызывающие рак вещества.

К таким химическим веществам относятся: свинец в составе свинцовых белил, кварц, входящий в состав кирпича и цемента, мышьяк и хром, содержащиеся в пиломатериале, обработанном химическими реагентами, и прочие вредные вещества. Риск воздействия данных химических веществ зависит от частоты проведения связанных с ними работ.

Чтобы сократить их вредное воздействие, работайте в хорошо проветриваемом помещении и используйте соответствующие исправные СИЗ, например, противопылевые респираторы, специально разработанные для отфильтровывания микроскопических частиц.

- При попадании под инструмент постороннего предмета осмотрите его на наличие повреждений и произведите необходимый ремонт.
- При возникновении чрезмерной вибрации отключите инструмент и немедленно выясните причину. Вибрация обычно является признаком повреждения.
- Перед тем, как покинуть рабочее место, произведите ремонт, осмотр или очистку инструмента, отключите его и дождитесь полной остановки движущихся деталей.
- Запрещается снимать или изменять внутренние детали инструмента.

Особые правила по технике безопасности

- Компрессор предназначен для сжатия воздуха и не должен использоваться для других целей.
- Применение не по назначению, модификация, использование деталей, не утвержденных производителем оборудования, или несоответствующих принадлежностей может привести к преждевременной поломке компрессора!
- Использование в медицинских, пищевых целях, для заполнения кислородом баллонов кислородно-дыхательной аппаратуры запрещено.
- Не допускается использование компрессора для заполнения баллонов автономных подводных дыхательных аппаратов.



Сжатие взрывоопасных, горючих или вредных для здоровья газов запрещено.

- Перед использованием компрессора в различных целях (нагнетание воздуха, подача воздуха в пневматические устройства и прочие приборы, работающие от сжатого воздуха, окраска, мойка и пр.) необходимо ознакомиться с правилами техники безопасности для каждого отдельного случая.
- Убедитесь, что все используемые пневматические инструменты и устройства выдерживают рабочее давление или воздух в них подается через регулятор давления.
- Компрессор рассчитан на непрерывную работу в автоматическом режиме. Убедитесь, что компрессор установлен вдали от воспламеняющихся веществ и отсутствуют внешние факторы, препятствующие естественному охлаждению компрессора.



ВНИМАНИЕ! Запрещается использовать компрессор на опасных участках.

- Не используйте компрессор на пыльных площадках и в среде взрывоопасных газов и паров, вызывающих коррозию.
- Запрещается подвергать компрессор воздействию дождя или снега, а также работать в условиях повышенной влажности.
- Не прикасайтесь к компрессору мокрыми руками.



ВНИМАНИЕ! Не направляйте струю сжатого воздуха на себя, людей или животных. Не направляйте струю сжатого воздуха (или распыляемых веществ) на компрессор.

- Периодически проверяйте все болтовые соединения.
- Не ремонтируйте инструмент самостоятельно! Обслуживание и ремонт компрессоров, сосудов под давлением и пневматических инструментов должны выполнять специально обученные специалисты.



ОСТОРОЖНО! Риск получения ожогов от поверхности деталей, передающих сжатый воздух! Не прикасайтесь к горячим поверхностям или деталям. Остудите инструмент перед обслуживанием.



ОСТОРОЖНО! Никогда не вдыхайте воздух из компрессора напрямую или через дыхательное устройство, подключенное к компрессору. Производите работу в местах с хорошей сквозной вентиляцией.

- Используйте защитные приспособления! Используйте защитные наушники. Используйте защитные очки. Если во время работы образуется вредная для здоровья пыль, используйте респираторную маску.
- Обратите внимание: при падении давления до минимума компрессор запускается автоматически! – перед обслуживанием отсоедините инструмент от источника питания. Запускайте инструмент, только если он подключен к сети. Перед тем как подключать или отключать инструмент от сети, выключите его.
- Не отвинчивайте соединительные детали, пока воздухоприемный цилиндр находится под давлением.
- Не оставляйте в цилиндре сжатый воздух. Запрещается передавать или хранить компрессор, если из его цилиндра не выпущен воздух.
- По завершении работы подождите, пока компрессор остынет. Только после этого можно накрывать компрессор или помещать его в защитный чехол.
- **ВНИМАНИЕ!** Компрессор должен располагаться как можно ближе к источнику электропитания. **НИКОГДА** не используйте удлинительные шнуры с данным изделием. Вместо удлинительного шнура применяйте дополнительный шланг для сжатого воздуха, чтобы предотвратить потерю электроснабжения и серьезное повреждение двигателя.
- **ВНИМАНИЕ!** Данное устройство должно быть заземлено! Электрическое заземление: отсутствие адекватного заземления данного изделия может привести к серьезной травме или смертельному исходу при поражении электрическим током.

ВСКРЫТИЕ УПАКОВКИ

При вскрытии упаковки проверьте наличие всех комплектующих деталей. См. чертежи к данному

руководству. При отсутствии или неисправности каких-либо деталей обратитесь в центр обслуживания IVT.

ИНСТРУКЦИИ ПО СБОРКЕ

При выполнении следующих операций не прилагайте излишние усилия для затягивания крепежных деталей. Иначе резьбовые соединения могут быть повреждены.

Важно! Вы должны полностью собрать устройство перед его использованием в первый раз.

Монтаж колес (23) и резиновых ножек (21) [F1]

Если колеса (23) не установлены на изделии, после распаковки установите соответствующим образом колеса (23) и резиновые ножки (если имеются).

Установка воздушного фильтра (18)

Если воздушный фильтр (18) еще не установлен, установите его.

- Сначала снимите с помощью отвертки или схожего инструмента транспортировочный упор, а затем тщательно закрутите воздушный фильтр (18) на головке цилиндра.

НАЧАЛО ЭКСПЛУАТАЦИИ

Значение напряжения питания должно соответствовать указанному в табличке паспортных данных инструмента.

Начало эксплуатации



ОСТОРОЖНО! ПЕРЕД ПЕРВЫМ ВКЛЮЧЕНИЕМ УСТРОЙСТВА необходимо установить пробку-сапун. Извлеките пластмассовую транспортировочную заглушку (которая служит лишь для защиты при транспортировке) из отверстия для заливки масла и замените ее пробкой масляного бака (с сапуном) (14).

Перед началом, а также во время работы необходимо проверять уровень масла в баке через смотровое окошко (17).

Если уровень масла низкий, заправьте компрессор.

1. Установите компрессор на чистую ровную поверхность.



2. Протрите тканью область вокруг пробки масляного бака (14) и извлеките пробку.
3. Наполните бак маслом (не превышая отметок максимального уровня).
4. Вставьте пробку (14). [F2]

Используйте чистое смазочное масло.

Используйте только моторные масла рекомендуемого класса: SAE30 при работе компрессора при температуре свыше 10°C, SAE10, - ниже 10°C.



ВНИМАНИЕ! Запрещается использовать компрессор без масла или при его недостаточном количестве, поскольку это может привести к поломке и аннулирует право на гарантийный ремонт.



ПРЕДУПРЕЖДЕНИЕ! ВНИМАНИЕ! Если необходимость дозаправки возникает в процессе работы, сначала необходимо выключить компрессор и отключить его от источника питания.

Проверка натяжения ремня (19)

(AC-70PB; AC-100PB)

Проверьте натяжение ремня (19). Правильно натянутый ремень (19) прогибается на 10-15 мм при нажатии пальцами в центре ремня (19).

Чрезмерное натяжение ремня (19) может привести к перегрузке электродвигателя (4). При этом двигатель (4) перегревается. Слабо натянутый ремень (19) соскальзывает, что приводит к чрезмерному износу и возникновению вибраций.

ВКЛЮЧЕНИЕ / ВЫКЛЮЧЕНИЕ

Включение

(AC-24PB; AC-50PB; AC-50PB2C; AC-70PB)

- Подключите компрессор к источнику питания.
- Переведите выключатель (11) вверх.

(AC-100PB)

Для данной модели напряжение должно составлять 400В.

- Подсоедините электрокабель к магнитному starterу (25) через электрический вход, сняв с него заглушку (28) (если таковая имеется).
- Переведите пусковую кнопку на магнитном пускателе (25) в положение ВКЛ. (ON). Магнитный пускатель обеспечивает безопасный пуск электродвигателя при высокой нагрузке. Он

также обеспечивает защиту от перегрузки и автоматическое отключение в случае нарушения электроснабжения.

- Переведите выключатель (11) (если имеется) в положение «On» (вкл.).

Прогоните компрессор вхолостую в течение 10 минут, чтобы обеспечить смазывание движущихся частей.

Выключение

(AC-24PB; AC-50PB; AC-50PB2C; AC-70PB)

- Переведите выключатель (11) вниз.
- Извлеките штепсель из розетки.

(AC-100PB)

- Переведите выключатель (11) (если имеется) в положение «off» (выкл.).
- Переведите пусковую кнопку на магнитном пускателе (25) в положение ВЫКЛ. (OFF).
- Отключите компрессор от источника питания.



ОСТОРОЖНО! Никогда не отключайте шнур питания для остановки устройства! Вместо этого переведите двухпозиционный переключатель (11) в положение ВЫКЛ. (OFF)!

ИНСТРУКЦИЯ ПО ЭКСПЛУАТАЦИИ

- Установите компрессор на сухую твердую ровную поверхность, чтобы обеспечить надлежащее смазывание элементов.
- Берегите компрессор от воды.
- Рабочий участок должен хорошо проветриваться.
- Для транспортировки компрессора сначала отключите его, отсоедините от источника питания и спустите давление с цилиндра (2), после чего компрессор можно перемещать.
- Если компрессор не используется, отключите его, извлеките штепсель из розетки и спустите воздух с цилиндра (2) и подсоединенных инструментов.

Автоматическое реле давления (10)

Автоматическое реле давления (10) позволяет поддерживать в цилиндре (2) постоянное давление, включает или отключает электродвигатель (4) компрессора в зависимости от степени потребления сжатого воздуха подсоединенными устройствами.

При включении компрессор начинает закачивать воздух в цилиндр (2) через специальный соединитель (13).

По достижении максимального давления (значение этого параметра устанавливается на заводе при прогоне компрессора) срабатывает реле давления (10) и двигатель останавливается (4).

Избыточное количество воздуха в соединителе (13) и компрессорном насосе (16) спускается через невзвратный клапан (31), таким образом, в компрессорном насосе (16) и соединителе отсутствует избыточное давление (13). Невозвратный клапан (31) предотвращает обратный поток воздуха из цилиндра (2) к верхней части компрессора. При этом сокращается нагрузка на электродвигатель (4) при следующем запуске компрессора.

Когда давление падает до минимума, включается электродвигатель (4) и компрессор закачивает воздух в цилиндр (2), пока давление не достигнет максимального значения.

Если автоматическое реле давления (10) не срабатывает, чрезмерное давление сбрасывается через предохранительный клапан (12). Для проведения ремонта обратитесь в официальный сервисный центр ИВТ.

Тепловая защита (если имеется)

В компрессоре предусмотрена тепловая защита, отключающая электродвигатель (4) в случае перегрузки (например, при засорении воздушного фильтра (18)) или перегрева. Данная функция защищает двигатель (4) от перегрузки.

При срабатывании тепловой защиты необходимо выключить компрессор и устранить причину. Подождите, пока компрессор остынет, и продолжайте работу.

Регулировка давления

Редуктор давления (24)

Редуктор давления (24) позволяет регулировать давление воздуха на выходе из соединительного штуцера (3) трубопровода с регулируемым давлением в зависимости от степени потребления.

Установите необходимое давление; значение давления показано на манометре (6):

- чтобы снизить давление: поверните рукоятку редуктора давления (5) против часовой стрелки.
- чтобы повысить давление: поверните рукоятку редуктора давления (5) по часовой стрелке.

[F3]

ПРИМЕЧАНИЕ: Конструкция компрессора позволяет регулировать давление сжатого воздуха только на выходе из штуцера (3) трубопровода с регулируемым давлением. Давление на выходе из соединительной муфты (8) равно давлению в цилиндре (2), значение давления показано на манометре (9).

ОБСЛУЖИВАНИЕ И ХРАНЕНИЕ



ОСТОРОЖНО! Прежде чем начать работу с инструментом, выключите его из розетки.

- Содержите инструмент и вентиляционные отверстия (при наличии) в чистоте. Регулярная очистка и обслуживание гарантируют высокую эффективность и продолжительную эксплуатацию инструмента.
- В случае выхода из строя, несмотря на соблюдение всех правил эксплуатации и опробования инструмента, ремонт должен выполняться в официальном сервисном центре ИВТ.
- Все гайки, болты и винты должны быть плотно затянуты.
- Замените поврежденные или изношенные детали.
- Используйте только оригинальные запчасти. Детали, изготовленные сторонним производителем, прилегают неплотно и повышают риск возникновения травм.
- Храните инструмент в сухом недоступном для детей месте, на безопасном расстоянии от легковоспламеняющихся материалов.
- Избегайте попадания воды на инструмент!



ВНИМАНИЕ! Перед началом какой-либо процедуры необходимо отключить компрессор, извлечь из розетки кабель питания и сбросить давление в цилиндре (2) (потяните кольцо предохранительного клапана (12)).

Очистка компрессора

После работы поверхность компрессора следует очищать при помощи мягкой щетки и ткани.

Не используйте для очистки компрессора едкие вещества или растворители.

Замена масла

Периодически проверяйте масло (каждые 6 месяцев). Замена масла необходима через первые 30 часов работы.

[F4]

1. Установите компрессор на ровную поверхность.
2. Поместите под сливное отверстие контейнер для слива отработанного масла.
3. Извлеките пробку для слива масла (32) и подождите, пока отработанное масло не перестанет вытекать из сливного отверстия.
4. Завинтите пробку (32), заполните бак свежим маслом.



ВНИМАНИЕ! Удаляйте отработанное масло экологически чистым способом, отправьте его на соответствующую сборную станцию!

Обслуживание воздушного фильтра (18)

Регулярно проводите осмотр фильтрующего элемента (27) воздушного фильтра (18) (его засорение зависит от условий окружающей среды). Проводите очистку (или замену) воздушного фильтра при необходимости, но не реже, чем через каждые 100 часов работы. Засоренный воздушный фильтр снижает коэффициент полезного действия компрессора и усиливает его износ.



ВНИМАНИЕ! Не перекручивайте фильтрующий элемент (27) во избежание его повреждения.

1. Установите компрессор на ровную поверхность.
2. Отвинтите крепежный болт (если имеется).
3. Снимите крышку (26).
4. Извлеките фильтрующий элемент (27).
5. Очистите фильтрующий элемент (27) при помощи спирта или растворителя.
6. Отожмите фильтрующий элемент.
7. Вставьте фильтрующий элемент (27) в крышку (26).
8. Установите крышку (26) на место и зафиксируйте пластмассовые защелки. Или затяните крепежный болт (если имеется).

[F5]

Удаление конденсата

Периодически и после окончания работы (если длительность работы составляет более одного часа) удаляйте конденсат из цилиндра (2). Таким образом можно предотвратить коррозию внутри цилиндра (2).

1. Установите компрессор на ровную поверхность.
2. Поместите под золотниковый клапан (22) компрессора контейнер для удаления конденсата.
3. Открутите и снимите золотниковый клапан (22) и подождите до полного слива конденсата (отсутствие капель воды в золотниковом клапане (22)).
4. Заверните золотниковый клапан (22).

[F6]

Регулярный осмотр других элементов

Регулярно осматривайте цилиндр (2) на наличие повреждений или признаков коррозии. Запрещается самостоятельно производить ремонт (механический или при помощи сварки) повреждений цилиндра (2). Поврежденный цилиндр (2) необходимо полностью

заменить в официальном сервисном центре IVT.

- Периодически проверяйте состояние предохранительного клапана (12) и манометра (9).
- Периодически очищайте компрессорный насос (16).

Осмотр невозвратного клапана (31)

Если при выключении компрессора в цилиндре (2) падает давление и прекращается подача сжатого воздуха, необходимо проверить состояние невозвратного клапана (31).

1. Снимите заглушку (29), извлеките пружину (30) и невозвратный клапан (31).
2. Очистите (или при необходимости замените) клапан (31). Очистите также и гнездо клапана.
3. Установите клапан (31) и пружину (30) на место и поставьте заглушку (29).

[F7]

Транспортировка

Для переноски компрессора используйте специальную ручку (7). Запрещается перемещать компрессор иным образом.

Длительное хранение

Для длительного хранения компрессора необходимо полностью слить масло из бака.

- Не храните компрессор вне помещения или во влажной среде.
- При транспортировке и хранении не переворачивайте компрессор на бок.

Примечание: при обращении в сервисный центр IVT убедитесь, что масляный бак заполнен на 1/3.

ЗАЩИТА ОКРУЖАЮЩЕЙ СРЕДЫ



Отправляйте мусор и отходы на переработку!

Инструмент, дополнительные приспособления и упаковку следует отправить на экологически безопасную переработку.

Пластиковые элементы имеют отметку о возможности классифицированной переработки. Настоящая инструкция напечатана на вторичной бумаге, не содержащей хлор.

ВЫЯВЛЕНИЕ И УСТРАНЕНИЕ НЕИСПРАВНОСТЕЙ



ОСТОРОЖНО! Перед тем как осмотреть инструмент на предмет неисправностей, выключите его из розетки.

Типичные неисправности	Причина неисправности	Устранение неисправности
<p>Электродвигатель (4) не запускается</p>	<ul style="list-style-type: none"> · Несоответствующий источник питания и/или проводка. Неисправность линии питания или недостаточное напряжение. Проводка меньше номинального размера или слишком длинная схема. · Неисправность автоматического реле давления (10) или выключателя (11). · Сработала тепловая защита, напр., из-за недостаточной степени охлаждения (напр., вентиляционные отверстия (15) закрыты). · Поломка электродвигателя (4). 	<ul style="list-style-type: none"> · Проверьте напряжение линии питания. Проверьте кабели, штепсель, розетку и предохранитель сети. Убедитесь, что питание включено. · Проверьте и при необходимости произведите ремонт или замену. · Подождите, пока электродвигатель (4) остынет. При необходимости освободите вентиляционные отверстия (15). · Обратитесь в официальный сервисный центр IVT.
<p>Необычный шум, чрезмерная вибрация, стук</p>	<ul style="list-style-type: none"> · Компрессор стоит неровно. · Соединительные детали или клапаны ослаблены или повреждены. · (AC-70PB; AC-100PB) Ремень (19) ослаблен. · Чрезмерное давление на выходе. · Использовано не рекомендованное масло. · При низком давлении невозвратный клапан (31) стучит. · Нагар на клапанах. · Поврежден подшипник, клапан или соединительный шток. 	<ul style="list-style-type: none"> · Поставьте компрессор ровно. · Произведите осмотр, подтяните ослабленные соединения, замените изношенные детали. · Проверьте и отрегулируйте натяжение ремня (19). · Уменьшите рабочее давление. · Слейте масло и залейте новое масло согласно рекомендациям. · Прочистите клапан (31). · Произведите очистку. · Отключите компрессор! Обратитесь в официальный сервисный центр.
<p>Компрессор работает, но давление недостаточно</p>	<ul style="list-style-type: none"> · Золотниковый клапан (22) на цилиндре (2) протекает. · Невозвратный клапан (31) протекает. · (AC-70PB; AC-100PB) Приводной ремень (19) проскальзывает. 	<ul style="list-style-type: none"> · Осмотрите клапан (22), затяните его вручную или при необходимости замените. · Обратитесь в официальный сервисный центр. · Натяните ремень (19).



Типичные неисправности	Причина неисправности	Устранение неисправности
Давление в пневматическом инструменте недостаточно	<ul style="list-style-type: none"> Редуктор давления (24) открыт недостаточно широко. Шланговое соединение между компрессором и пневматическим инструментом протекает. Соединительная муфта (8) закрыта. 	<ul style="list-style-type: none"> Приоткройте редуктор (24) пошире. Проверьте воздушные шланги, при необходимости замените поврежденные детали. Проверьте, открыт ли кран (если имеется). Проверьте, не установлен ли редуктор давления (24) на 0 (если применимо).
Чрезмерный расход масла	<ul style="list-style-type: none"> Воздушный фильтр засорен (18). Использовано не рекомендованное масло, несоответствующий уровень вязкости. Слишком высокий уровень масла. Масло протекает. Изношены поршневые кольца или поврежден цилиндр. 	<ul style="list-style-type: none"> Прочистите воздушный фильтр (18) или замените фильтрующий элемент (27) при необходимости. Слейте масло и залейте новое масло согласно рекомендациям. Залейте масло до необходимого уровня. Произведите осмотр и ремонт. Произведите ремонт или замену в официальном сервисном центре IVT

Если данная информация не помогла вам устранить проблему, пожалуйста, обратитесь в Сервисный центр IVT.

RU



ВНИМАНИЕ! ПРОИЗВОДИТЬ РЕМОНТ ИЗДЕЛИЯ САМОСТОЯТЕЛЬНО И ПЫТАТЬСЯ СКРЫТЬ ЕГО СЛЕДЫ СОВЕРШЕННО НЕДОПУСТИМО! Только авторизованный IVT Сервис-Центр имеет право на проведение ремонта и расширенного технического обслуживания. Внесение изменений во внутреннее устройство изделия запрещено! ТАКИЕ ДЕЙСТВИЯ НЕ ТОЛЬКО ЯВЛЯЮТСЯ ОСНОВАНИЕМ В ОТКАЗЕ ОТ ГАРАНТИЙНЫХ ОБЯЗАТЕЛЬСТВ, НО И МОГУТ ПОСЛУЖИТЬ ПРИЧИНОЙ ПОВРЕЖДЕНИЙ И СЕРЬЕЗНЫХ УВЕЧИЙ.

ҚҰРАЛДЫҢ СИПАТТАМАСЫ

Үлгі	АС-24PB	АС-50PB	АС-50PB2C	АС-70PB	АС-100PB
Кернеу ~ Жиілік [В ~ Гц]	230 ~ 50	230 ~ 50	230 ~ 50	230 ~ 50	400 ~ 50
Номиналды қуаттылық [Вт]	1800	1800	2200	2200	4000
Қозғатқыш қуаты [а.к.]	2.5	2.5	3	3	5.5
Қалыпты жұмыс барысындағы айналым жиілігі [айн./мин]	2800	2800	2800	1020	850
Өткізгіш қабілеттігі [л/мин.]	206	206	350	311	648
Жұмыстық қысым [бар]	8	8	10	10	12.5
Ауасы бар баллонның сыйымдылығы [л]	24	50	50	70	100
Дыбыстық қысым [дБ(А)]	92 (K=3)	92 (K=3)	95 (K=3)	93 (K=3)	96 (K=3)
Дыбыстық қуат [дБ(А)]	92 (K=3)	92 (K=3)	95 (K=3)	93 (K=3)	96 (K=3)
Тербеліс деңгейі [м/с ²]	71 (K=1.5)	71 (K=1.5)	71 (K=1.5)	300 (K=1.5)	300 (K=1.5)
Салмақ [кг]	22	30	42	75	95
Қорғаныс класы	B	B	B	B	B

ҚОСАЛҚЫ БӨЛШЕКТЕРДІҢ ТІЗБЕСІ

- Корпус
- Ауа қабылдағыш цилиндр
- Құбырдың реттеуіш қысыммен жалғастыратын штуцері
- Электр қозғалтқышы
- Қысым редукторының тұтқасы
- Қысымы реттелетін құбыр манометрі
- Тасуға арналған тұтқа
- Жалғастырғыш муфта
- Жалғастырғыш муфтань манометрі
- Автоматты қысым релесі
- Ажыратқыш
- Сақтандырушы қақпақша
- Қысым астындағы жалғастырғыш
- Май бағының тығыны (сапунмен)
- Желдеткіш саңылаулар
- Сығымдаушы сорғылар
- Маңдай терезешігі
- Ауа сүзгісі
- Белдік
- Белдіктің қақпағы
- Резеңке аяқшалар
- Золотникті қақпақша
- Доңғалақ
- Қысым редукторы
- Магниттік стартер
- Қақпақ
- Сүзуші элемент
- Электрлік кіретін жержің бітеуіші
- Қайтарымсыз қақпақша бітеуіші
- Қайтарымсыз қақпақшаның серіппесі

- Қайтарымсыз қақпақша
- Майды жіберуге арналған тығын

ҚОРАПТЫҢ ІШІНДЕГІСІ

(АС-24PB; АС-50PB; АС-50PB2C)

Пайдалану жөніндегі нұсқаулық (1 дана), дөңгелектер (1 жинақ), май құйылған ыдыс (1 дана), резеңке аяқтар (1 жинақ), ауа сүзгісі (1 жинақ), майлы бак тығыны (сапунмен) (1 дана).

(АС-70PB; АС-100PB)

Пайдалану жөніндегі нұсқаулық (1 дана), дөңгелектер (1 жинақ), май құйылған ыдыс (1 дана).

ҚОЛДАНЫЛУЫ

Бұл сығымдағыш пневматикалық құралдардың жұмысы үшін қолданылатын құралдарға қажет ауаны сығымдауға және сығылған ауаны өртүрлі қондырғылар мен жабдықтарға беруге арналған. Сондай-ақ ол құбырдағы тұрақты қысымды қолдауға мүмкіндік береді.

ҚОЛДАНУ КЕЗІНДЕГІ ТЕХНИКАЛЫҚ КАУІПСІЗДІК

Қауіпсіздіктің жалпы ережелері

Қауіпсіздік техникасы бойынша келесі нұсқаулықтар құралды дұрыс қолдануға және дербес қауіпсіздікті қамтамасыз етуге көмектеседі. Сондықтан оларды мұқият оқып шығыңыз.



Аталмыш құралды үшінші тұлғаға беру барысында қауіпсіздік техникасы жөніндегі осы нұсқаулықты да бірге беру керек.

Осы нұсқаулықты және жеткізілетін кешен құрамына кіретін басқа да әдебиеттерді сақтап қойыңыз.

Қауіпсіздік техникасын және құралда көрсетілген қауіпсіздік ережелерін сақтаңыз.

Жұмысты бастамас бұрын құралдың басқару бөлшектерімен танысыңыз, бірақ ең алдымен жедел тоқтату амалдарымен танысыңыз.

Аталған қарапайым ережелерді сақтау сіздің құралыңыздың үнемі жұмысқа жарамдылығын қамтамасыз етуге мүмкіндік береді.

- Пайдалану алдында құралды дұрыс жинақтау қажет.
- Құралды тек мақсаты бойынша ғана пайдаланыңыз.

- Сонымен қатар, құралда қорғаныш жабдықтарды пайдалану жөніндегі ескерту жазбалары мен сілтемелері болуы мүмкін, оларды да оқып шығу қажет. Сақтық, тәжірибелілік, ойластырылғандық, жұмысқа тиісті қатынас және құралды қолдану, тасымалдау, қызмет көрсету және сақтауға қатынасатын тұлғалардың тиісті дайындығы келеңсіз оқиғалардың алдын алуға көмектеседі.

- Құралды қараусыз қалдырмаңыз.
- Құралды балалардың пайдалануына жол бермеңіз. Балалардың құралман ойнауына жол бермеңіз.

- Жұмыс алаңына жақын жерде балалардың және жануарлардың болуына жол бермеңіз. Бөгде адамдар жұмыс істеп тұрған құралдан қауіпсіз қашықтықта болуы керек.

- Құралмен жұмыс жасау барысында пайдаланушы үшінші тұлғалар үшін жауапкершілік тартпайды.

- Қолдану жөніндегі осы нұсқаулықпен таныспаған тұлғалар, құралды пайдалануға болатын жасқа жетпеген, көмелеттік жасқа толмаған балалар, сондай-ақ ішімдікке немесе есірткіге мас күйдегі тұлғалар, медициналық дәрімек әсеріндегі адамдар құралмен жұмыс жасауға рұқсат ала алмайды. Оператордың жасы жергілікті нормативтік актілермен тағайындалады.

АБАЙЛАҢЫЗ! Алкоголь, кейбір дәрілік препараттар және есірткілік заттар, сондай-ақ ыстық көтерілу және қалжырау сияқты денсаулық күйлері реакция жылдамдығын төмендетеді. Аталмыш құралды жоғарыда аталған жағдайларда пайдаланбаңыз.

- Барлық қорғаушы жабдықтардың (егер болса) дұрыс орнатылғандығына және олардың жұмысқа жарамды екендігіне көз жеткізіңіз.

- Құралды қорғаушы жабдықтарсыз

пайдаланбаңыз (егер болса), немесе ол зақымданған болса пайдаланбаған абзал.

- Құралдың бекітілмей қалған бөлшектерін (сақиналар, болттар, бұрамалар және т. б.) немесе ақауларын тексеріңіз. Құрал жұмысының қауіпсіздігін қамтамасыз ету үшін болттар мен бұрандалардың (егер болса) жақсы бұралғандығын әлсін-әлсін тексеріп отырыңыз. Қажет болса құралды пайдалану алдында зақымданған не ақаулы бөлшектерді жөндеңіз немесе алмастырыңыз. Ақаулы құралды пайдалану кезінде операторға немесе маңайдағы бөгде тұлғаларға ауыр жарақаттар салынуы мүмкін.

- Жұмыс үшін арнайы киімді пайдаланыңыз. Кең киім, әшекейлер, әшекей бұйымдары құралдың қозғалмай бөліктеріне ілініп қалуы мүмкін. Сәйкес келетін арнайы киімдер киіңіз. Ұшатын қалдық заттардан аяғыңыз бен табаныңызды қорғаңыз. Жалаң аяқ немесе үсті ашық аяқ киім киіп жұмыс істемеңіз. Ұзын шашты артыңызға жинаңыз.

- Тұтқалар мен тұтқыштарды таза және құрғақ етіп ұстаңыз.

- Сәйкес келетін қорғаушы жабдықтарды пайдаланыңыз. Қорғаушы көзәйнектер мен саусаққаптарды қолданыңыз. Ұнтақтармен немесе шығарылатын газ ортасында жұмыс жасау барысында шаңға қарсы респираторды пайдаланыңыз. Қажет болған жағдайда табаны сырғанамайтын аяқ киім, дулыға немесе құлаққа арналған тығындарды қолданыңыз. Егер шу деңгейі 85 дБ(А) артық болса, міндетті түрде қорғаушы құлаққаптарды пайдаланыңыз.



АБАЙЛАҢЫЗ! Жеке бас қорғаныс құралдарын пайдаланыңыз! Қорғаушы жабдықтар мен ЖҚҚ сіздің денсаулығыңыз бен маңайыңыздағылардың денсаулығының қорғанысын қамтамасыз етеді, сондай-ақ құралдың үзіліссіз жұмысына кепілдік береді.

- Құрал кері бұрылған болса немесе жұмысқа жарамсыз күйде болса, оны іске қоспаңыз.

- Жұмыс барысында тұрақты қалыпты сақтаңыз. Үнемі тепе-теңдікті сақтаңыз.

- Жұмыс алаңында тазалықты сақтаңыз. Қоршалған алаңдарда жарақаттану қаупінің жоғары деңгейі байқалады. Құралды пайдаланбас бұрын жұмыс алаңынан барлық бөгде заттарды алып тастаңыз, жұмыс барысында құралдың астына бөгде заттардың түсуіне жол бермеңіз.

- Құралды шамадан тыс қыздырмаңыз.

- Құралды күндізгі жарықта немесе жақсы жасанды желдету кезінде пайдаланыңыз. Құралды

нашар көріну жағдайында пайдаланбаңыз.

• Құралды құлатпаңыз, құралдың қандай да бір кедергілермен қақтығысуына жол бермеңіз.

АБАЙ БОЛЫҢЫЗ! Абай болыңыз. Жұмыс барысын бақылап отырыңыз. Алаңдай отырып, құралды басқаруды жоғалтып алу мүмкін. Жұмысқа дайындықпен кірісіңіз.

Электрлік қауіпсіздік ережелері

НАЗАР АУДАРЫҢЫЗ! Электр құралдарын қолдану барысында электр тоғының соққысын болдырмау және жеке бастың жарақаттану оқиғасына жол бермеу мақсатында техникалық қауіпсіздік бойынша мынадай ережелерді сақтау керек. Құралды қолданар алдында осы нұсқаулықтарды оқып шығыңыз және мұқият қадағалаңыз.

• Қауіптілік деңгейін жоғарылату үшін 30 мА-дан аспайтын сөну тоғына есептелген шегермелі қорғаныс құрылғысын (RCD) пайдалану ұсынылады. Өрбір пайдаланған кезде RCD тексеріңіз. Білікті электршіге жүгініңіз.



НАЗАР АУДАРЫҢЫЗ! RCD немесе басқа ажыратқышты пайдалану құралдың операторын осы нұсқаулықта көрсетілген жұмыс амалдары ережелері мен қауіпсіздік техникасы талаптарымен танысу міндетінен босатпайды.

• Желідегі кернеу жазба белгіде немесе нұсқаулықта көрсетілген шамаға сәйкес болуы керек. Басқа қоректендіру көздерін пайдаланбаңыз.

• Құралды желіге қосу алдында розетканың құралдың жазба белгісінде көрсетілген мәліметтеріне сай келетіндігіне көз жеткізіңіз.

• Дененің жайсыздандырылған заттармен (құбырлар, радиаторлар, батареялар және рефрижераторлар) жанасуынан сақтаныңыз. Дененің мұндай заттарға жанасуы кезінде электрлік тоқ соққысына шалдығу қаупі артады.



АБАЙ БОЛЫҢЫЗ! Күюден немесе тоқ соққысынан сақтану үшін электр өткізгіш бөлшектерге жанаспаңыз.

• Құралдың орнын алмастыру барысында кабельден тартпаңыз.

• Тоқсымды абайлап қолданыңыз. Тоқсымды жылудың әсерінен сақтаныңыз, оның майлаушы заттармен байланысына жол бермеңіз, сондай-ақ өткір немесе жылжымалы заттармен жанастырмауға тырысыңыз.

• Тоқсыммен абай болыңыз.

• Құралды тез тұтанатын сұйықтықтарға және газдарға жақын жерде пайдаланбаңыз.

• Құралды басқа жерге ауыстырмас бұрын оны желіден ажыратыңыз.



АБАЙ БОЛЫҢЫЗ! Алдымен құралды сөндіру керек, содан соң розеткадан немесе ұзартқыштан ажыратқан абзал.

• Құрал жұмыс істеп тұрғанда ұзартқышты қыспаңыз. Кабельді бақылап отырыңыз.

• Ұзартқышты құралға өз бетіңізбен тікелей қоспаңыз. Ең жақын жердегі ресми қызмет көрсету орталығына жүгініңіз.

• Тоқсым зақымдалған жағдайда қауіптілік тудырмау үшін оны дайындаушы немесе оның агенті, не болмаса ұқсас білікті мамандар алмастыру керек.

• Егер кабель зақымдалған немесе кесіліп кеткен болса, онда айырды тез арада ашадан алып шығыңыз.



НАЗАР АУДАРЫҢЫЗ! ЭЛЕКТРЛІК ТОҚ СОҚҚЫСЫНА ШАЛДЫҒУ ҚАУІПІ БАР!

Өндірістік ортаны бақылап отырыңыз. Электрлік құралдарды жауын астында пайдаланбаңыз. Электрлік құралдарды ылғалды және дымқыл жайларда пайдаланбаңыз. Жұмыс орнын құрғақ ұстаңыз, жарықтандырудың жақсы болуын қамтамасыз етіңіз. Құралды ылғалдан сақтаныңыз. Құралды ашық кеңістікте түнде қалдырмаңыз. Құралға суды тиіп кетсе, электрлік тоқ соққысына шалдығу қаупі артады.

• Үнемі және әр қолданыс алдында құрал кабелінің жарамдылығы мен тозу белгісінің болуын тексеріп отырыңыз. Кабелі зақымданған құралды пайдаланбаңыз; ресми қызмет көрсету орталығына жүгініңіз.

• Ғимараттардан тыс жұмыс барысында сәйкес маркалы арнайы ұзартқыштарды ғана пайдаланыңыз. Кабельдің құралдың астына түсуіне жол бермеңіз, оны ылғалдан, жылудың әсерінен сақтаңыз, жақпамайлық заттармен және тез тұтанатын сұйықтықтармен байланысуына жол бермеңіз.



- Құралдың өздігінен қосылуынан сақтаныңыз. Құралды желіге қосар алдында ажыратқыштың «off» (сөнд.) қалпында екендігіне көз жеткізіңіз.
- Құралды іске қосу алдында ондағы барлық кілттер мен орнату бөлшектерін алып тастаңыз.
- Жарамсыз ажыратқышы бар құралды пайдаланбаңыз. Ажыратқышы жарамсыз құрал қауіпті және жөндеуді талап етеді.



НАЗАР АУДАРЫҢЫЗ! Аспапты пайдаланған кезде құрамында ісік ауруын тудыратын химиялық заттар бар шаң қалыптасады.

Осындай химиялық заттарға мыналар жатады: қорғасынды әктеуіштер құрамындағы қорғасын, кірпіш пен цементтің құрамына кіретін кварц, химиялық реагенттермен өңделген араланушы материалдар құрамындағы күшән және хром, басқа да зиянды заттар. Аталған химиялық заттардың әсер ету қаупі олармен жұмыс жасау жиілігіне байланысты.

Олардың зиянды әсерін төмендету үшін жақсы желдетілетін жерде жұмыс істеңіз және қолдану үшін бекітілген ЖҚҚ, мысалы, микроскопиялық бөлшектерді сүзуге арналған шаңға қарсы респираторларды пайдаланыңыз.

- Құралдың астына бөгде заттар түскен жағдайда құралдың ақаусыз екендігін тексеріңіз және қажетті жөндеу жұмыстарын жүзеге асырыңыз.
- Шамадан тыс діріл пайда болса жедел арада қозғалтқышты сөндіріңіз және себебін анықтаңыз. Діріл ақаудың белгісі болып табылады.
- Жұмыс орнынан кетпес бұрын, құралды жөндеу, тексеру немесе тазарту алдында оны сөндіріңіз және толығымен тоқтағанша күте тұрыңыз.
- Құралдың ішкі бөлшектерін алып тастауға немесе өзгертуге тыйым салынады.

Қауіпсіздік техникасы бойынша ерекше ережелер

- Сығымдағыш ауаны сығымдау үшін арналған және басқа мақсаттар үшін қолданылмау керек
- Тағайындалуы бойынша қолданбау, түрлендіру, құралды өндірушімен бекітілмеген бөлшектерді немесе сай келмейтін жабдықтарды пайдалану сығымдағыштың мерзімінен бұрын сынуына әкеп соғуы мүмкін.
- Медициналық, тағамдық мақсаттарда, оттегілік-демалу аппаратурасын оттегімен толтыру үшін пайдалануға тыйым салынады.
- Сығымдағышты автономды су асты аппараттарының баллондарын толтыру үшін қолдануға рұқсат етілмейді.



НАЗАР АУДАРЫҢЫЗ! Жарылу қаупі бар, жанғыш немесе денсаулық үшін зиянды газдарды сығымдауға тыйым салынады.

- Сығымдағышты әртүрлі мақсаттар үшін пайдалану ауаны айдамалау, пневматикалық құрылғыларға және сығылған ауадан, бояу, жуу және т.б.) басқа да аспаптарда қолданар алдында әрбір жекелеген жағдайларға арналған өауіпсіздік ережелерімен танысу керек.
- Пайдаланылатын барлық пневматикалық құралдар және құрылғылар жұмыс қысымына шыдайды немесе ауа олардың ішіне қысымды реттегіш арқылы кіреді.
- Сығымдағыш автоматты тәртіптемедегі дұрпыс емес жұмыс үшін есептелген. Сығымдағыш тұтанғыш заттардан алыс орнатылғандығына және сығымдағыштың өздігінен сууына кедергі болатын сыртқы қозғаушы күштердің жоқ екендігіне көз жеткізіңіз.



НАЗАР АУДАРЫҢЫЗ! Сығымдағышты қауіпті уақсакелерде пайдалануға тыйым салынады..

- Сығымдағышты шаңды алаңдарда және тоттануды болдыратын жарылу қаупі бар газдар мен булар ортасында пайдаланбаңыз.
- Сығымдағышты жаңбырдың немесе қардың әсеріне тигізуге, сондай-ақ жоғары ылғалдылық жағдайында пайдалануға тыйым салынады.
- Сығымдағышқа су қолыңызды тигізбеңіз.



НАЗАР АУДАРЫҢЫЗ! Сығылған ауа ағымын өзіңізге, адамдарға немесе жануарларға бағыттамаңыз. Сығылған ауа ағымын (немесе бүркіп шашыратқыш заттарды) сығымдағышқа бағыттамаңыз.

- Барлық болттық ұштастырғыштарды уақтылы тексеріңіз.
- Құралды өз еркіңізбен жөндемеңіз! Сығымдағыштарды, қысым астындағы ыдыстарды және пневматикалық құралдарды жөндеу және пневматикалық құралдарды жөндеу мен қызмет көрсетуді арнайы оқытылған мамандар орындау керек.



АБАЙЛАҢЫЗ! Сығымдалған ауаны тарататын бөлшектердің үстіңгі бетінен күйіп қалу тәуекелі бар! Ыстық үстіңгі беттерге немесе бөлшектерге қол тигізбеңіз. Қызмет көрсетер алдында құралды салқындатыңыз.



АБАЙЛАҢЫЗ! Компрессордағы ауаны тікелей немесе компрессорға қосылған демалатын құрылғы арқылы ешқашан жұтпаңыз. Жұмысты жақсы желденетін жерде жүргізіңіз.

- Қорғаушы жабдықтарды пайдаланыңыз! Қорғаушы құлақпаптарды қолданыңыз. Қорғаушы көзілдірікті қолданыңыз. Егер құралдың жұмысы барысында денсаулық үшін зиянды шаң түзілсе, онда шаңнан респираторлы бетпердені пайдаланыңыз.
- Назар аударыңыз: қысым минимумға дейін түскен кезде сығымдағыш автоматты түрде іске қосылады! Қызмет көрсетер алдында құралды қорек көзінен ажыратыңыз. Құралды желіге қосуды күйінде ғана іске қосыңыз. Құралды жалғап қосу немесе ажырату алдында оны сөндіріңіз.
- Ауа қабылдағыш цилиндр қысым астында болған кезде жалғастырығыш бөлшектерді бұрамаңыз.
- Цилиндрдің ішінде сығылған ауаны қалдырмаңыз. Егер цилиндрден ауа шығарылмаған болса сығымдағышты тапсыруға немесе сақтауға тыйым саалынады.
- Жұмыс аяқталған соң сығымдағыштың салқындауын күте тұрыңыз. Тек осыдан кейін ғана сығымдағышты жабуға немесе оны қорғаныш қаптамға салуға болады.
- **НАЗАР АУДАРЫҢЫЗ!** Компрессор электр қуат беру көзіне барынша жақын орналасуы тиіс. Бұл бұйыммен ЕШҚАШАН ұзартқыш сымды қолданбаңыз. Электрмен жабдықтауды жоғалтпау және қозғалтқыш қатты зақымданбау үшін ұзартқыш сымның орнына тығыздалған ауаға арналған қосымша шлангты қолданыңыз.
- **НАЗАР АУДАРЫҢЫЗ!** Бұл құрылғы жерге тұйықталуы қажет! Электрлі жерге тұйықталу: бұл бұйым жерге дұрыс тұйықталмаған жағдайда электр тоғымен зақымдану кезінде қатты жарақатқа немесе өлімге соқтыруы мүмкін.

ҚОРАПСЫЗДАНДЫРУ

Қаптан алу кезінде барлық бөлшектердің түгел екендігіне көз жеткізіңіз. Соңғы беттегі жинақтау сызбасын қараңыз. Қандай да болмасын бөлшектер бомаған жағдайда немесе ақаулы болған жағдайда

IVT қызмет көрсету орталығына жүгініңіз.

ЖИНАҚТАУ БОЙЫНША НҰСҚАУЛЫҚ

Келесі операцияларды орындаған кезде бекіткіш бөлшектерді тартып бұрау кезінде шамадан тыс күш салмаңыз. Өйтпесе кесуші жалғастырығыштар зақымдалуы мүмкін.

Маңызды! Құрылғыны бірінші рет қолданбас бұрын сіз оны толықтай жинауыңыз қажет.

Дөңгелектер (23) мен рәзікке аяқтардың (21) монтажі [F1]

Егер дөңгелектер (23) бұйымға орнатылмаған болса, қаптаманы ашқан соң дөңгелектер (23) мен рәзікке аяқтарды (егер бар болса) тиісінше орнатыңыз.

Ауа сүзгісін орнату (18)

Егер ауа сүзгісі (18) орнатылмаған болса, оны орнатыңыз.

- Алдымен бұраушының немесе соған ұқсайтын құралдың көмегімен тасымалдайтын тіректі шешіп алыңыз, сонан соң ауа сүзгісін (18) цилиндрдің басына жақсылап бұрап бекітіңіз.

ҚОЛДАНУДЫ БАСТАУ

Қоректендіргіш кернеуінің мәні құралдың құжаттық мәліметтерінде көрсетілген төлқұжаттық деректерге сай болу керек.

Май деңгейін тексеру



АБАЙЛАҢЫЗ! ҚҰРЫЛҒЫНЫ БІРІНШІ РЕТ ҚОСУ АЛДЫНДА тығын-сапунды орнату қажет. Май құятын саңылаудан тасымалдайтын пластмассалы бітеуішті (ол тек қана тасымалдау кезінде қорғаныс үшін қажетті) шығарып, оны май бағінің тығынымен (сапунмен) (14) алмастырыңыз.

Жұмысты бастар алдында, сондай-ақ жұмыс барысында маңдай терезешігі арқылы (17) бактағы май деңгейін тексеру қажет. Егер жанармай деңгейі төмен болса, сығымдағышты толтырыңыз.

1. Сығымдағышты таза тегіс жерге орнатыңыз.
2. Май бағы тығынының (14) айналасын матамен сүртіңіз және тығынды алып шығыңыз.
3. Бакты маймен толтырыңыз (максималды деңгей белгілерінен асырмаңыз).



4. Тығынды (14) кіргізіңіз. [F2]

Таза майлаушы майын ғана пайдаланыңыз.

Ұсынылған типтегі мотор майларын ғана пайдаланыңыз: SAE30 - сығымдағыштың 10°C температурасында жұмыс кезінде, SAE10, - 10°C төмен температурада.



НАЗАР АУДАРЫҢЫЗ!
Сығымдағышты майсыз немесе май жеткілікті болмағанда қолдануға тыйым салынады, себебі ол сынуға әкеп соғады және кепілдік жөндеуге деген құқықты жояды.



ЕСКЕРТУ! Егер жұмыс барысында қосымша түрде май қажеттілігі туындаса, алдымен сығымдағышты сөндіру және қуат көзінен ажырату қажет.

сығымдағышты бос айналымда 10 минут бойы өткізіңіз.

Сөндіру

(AC-24PB; AC-50PB; AC-50PB2C; AC-70PB)

- Ажыратқышты (11) төмен қарай келтіріңіз.
- Ашаны розеткадан алып шығыңыз.

(AC-100PB)

- Ажыратқышты (11) “OFF” (сөнд.) қалпына келтіріңіз (егер болса).
- Магнитті қосқыштағы (25) қосылатын басқышты СӨНД. (OFF) жағдайына ауыстырыңыз.
- Сығымдағышты қорек көзінен ажыратыңыз.



АБАЙЛАҢЫЗ! Құрылғыны тоқтату үшін тоқ сымын ешқашан сөндірмеңіз! Оның орнына екі позициялы ауыстырып-қосқышты (11) СӨНД. (OFF) жағдайына ауыстырыңыз!

Белдіктің (19) тартылуын тексеру (AC-70PB; AC-100PB)

Белдіктің (19) тартылуын тексеріңіз. Дұрыс тартылған белдік (19) белдіктің (19) ортасына саусақпен басқан кезде 10-15 мм-ге иіледі.

Белдіктің (19) шамадан тыс тартылуы электр қозғалтқышының (4) қызып кетуіне әкеп соғуы мүмкін. Бұл кезде қозғалтқыш (4) қызып кетеді. Әлсіз тартылған белдік (19) сырғып түседі, бұл оның шамадан тыс тозуына және дірілдің пайда болуына әкеп соғады.

ҚОСУ / СӨНДІРУ

Қосу

(AC-24PB; AC-50PB; AC-50PB2C; AC-70PB)

- Сығымдағышты тоқ көзіне қосыңыз.
- Ажыратқышты (11) жоғарыға қарай келтіріңіз.

(AC-100PB)

Бұл үлгі үшін көрнеу 400 В құрауы қажет.

- Электрлік кабелді электрлік кіретін жер арқылы одан бітеуішті (28) алып тастап, магниттік стартерге (25) жалғап қосыңыз (егер болса).
 - Магнитті қосқыштағы (25) қосатын басқышты ҚОСУ (ON) жағдайына ауыстырыңыз. Магнитті қосқыш жоғары жүктеме кезінде электр қозғалтқышының қауіпсіз қосылуын қамтамасыз етеді. Ол сондай-ақ шамадан тыс жүктемеден қорғап, электрмен жабдықтауда бұзылу пайда болғанда автоматы сөндіріп қамтамасыз етеді.
 - Ажыратқышты (11) “ON” (қосу) қалпына келтіріңіз (егер болса).
- Қозғалғыш бөліктердің майлануын қамтамасыз ету үшін

ҚОЛДАНУ БОЙЫНША НҰСҚАУЛЫҚ

- Элементтердің тиісті майлануын қамтамасыз ету үшін сығымдағышты құрғақ қатты тегіс үстіңгі бетке орнатыңыз.
- Сығымдағышты судан қорғаңыз.
- Жұмыс алаңы жақсы желдетілуі керек.
- Сығымдағышты тасымалдау үшін алдымен оны сөндіріңіз, қорек көзінен ажыратыңыз және цилиндрден (2) қысымды түсіріңіз, содан кейін сығымдағыштың орнын ауыстыруға болады.
- Егер сығымдағыш пайдаланылмаса, оны сөндіріңіз, ашаны розеткадан алып шығыңыз және цилиндрден (2) мен жалғап қосылған құралдардан ауаны шығарыңыз.

Автоматты қысым релесі (10)

Автоматты қысым релесі (10) цилиндрдегі (2) тұрақты қысымды ұстап тұруға қолдау көрсетеді, жалғап қосылған құрылғылардың сығылған ауаны тұтыну деңгейіне байланысты сығымдағыштың электрлік қозғалтқышын (4) қосады немесе сөндіреді.

Қосқан кезде сығымдағыш арнайы жалғастырғыш (13) арқылы цилиндрге (2) ауаны сора бастайды.

Максималды қысымға қол жеткізген кезде (бұл параметрдің мағынасы сығымдағышты айдаған кезде орнатылады) қысым релесі (10) іске қосылады және қозғалтқыш (4) тоқтап қалады.

Жалғастырғыштағы (13) және сығымдағыш сорғыдағы (16) ауаның артық мөлшері қайтарымсыз қақпақша (31) арқылы төмен түсіріледі, осылайша сығымдағыш сорғыда (16) және жалғастырғышта артық қысым (13) болмайды. Қайтарымсыз қақпақша (31)

сығымдағыштың жоғарғы жағына қарай цилиндрден (2) ауаның кері шығуын болдырмайды. Бұл жағдайда сығымдағышты мынадай түрде қосқан кезде электр қозғалтқышына (4) түсірілеін жүктеме кемиді.

Қысым минимумға дейін түскен кезде электр қозғалтқышы қосылады (4) және қысым максималды мағынаға жеткенге дейін сығымдағыш ауаны цилиндрге (2) сорады.

Егер автоматы қысым релесі (10) іске қосылмаса, шамадан тыс қысым сақтандырғыш қақпақшасы (12) арқылы іске қосылады. Жөндеуді жүргізу үшін IVT ресми қызмет көрсету орталығына жүгініңіз.

Жылулық қорғау (егер болса)

Шамадан тыс салмақ түсу (мысалы, ауа сүзгіші (18) бітеліп қалғанда) немесе қызып кетуі жағдайында сығымдағышта электр қозғалтқышын сөндіретін жылу қозғалтқышы қарастырылған. Бұл атқарым қозғалтқышты (4) шамадан тыс күш түсуден қорғайды.

Жылу қорғанышы іске қосылып кеткен кезде сығымдағышты сөндіру және себебін жою керек. Сығымдағыштың салқындағанын күте тұрыңыз және жұмысты жалғастырыңыз.

Қысымды реттеу

Қысым редукторы (24)

Қысым редукторы (24) тұтыну дәрежесіне байланысты реттеуші қысымы бар құбырдың ұшастырғыш штуцерінен (3) шығатын ауа қысымын реттеуге мүмкіндік береді.

Қажетті қысымды орнатыңыз; қысымның мағынасы манометрде (6) көрсетілген:

- қысымды төмендету үшін: қысым редукторының тұтқышын (5) сағат тіліне қарсы бағытқа бұрыңыз.
- қысымды жоғарылату үшін: қысым редукторының тұтқышын (5) сағат тіліне қарсы бағытқа бұрыңыз.

[F3]

ЕСКЕРТУ: Сығымдағыштың құрылмасы қысымы реттелетін құбырдың штуцерінен (3) шығатын жерде ғана сығымдалған ауа қысымын реттеуге мүмкіндік береді. Жалғастырғыш муфтының шығатын жеріндегі қысым (8) цилиндрдегі (2) қысымға тең, қысымның мағынасы манометрде (9) көрсетілген.

ҚЫЗМЕТ КӨРСЕТУ ЖӘНЕ САҚТАУ



АБАЙ БОЛЫҢЫЗ! Құралмен жұмысты бастау алдында желілік ашаны алып тасатыңыз.

• Құралды және желдеткіш саңылауларын (егер болса) тазалықта ұстаңыз. Үнемі тазарту және қызмет көрсету құралдың жоғары тиімділігін және ұзақ уақыт қолданылуын кепілдейді.

• Өндіріс пен сынаудың мінсіз шарттарына қарамастан, істен шыққан жағдайда, жөндеу жұмыстары IVT ресми орталықтарында жүргізілуі керек.

• Барлық сақиналар, болттар және бұрамалар мұқият бұралуы керек.

• Ақауланған немесе тозған бөлшектерді алмастырыңыз.

• Тек түпнұсқалық қосалқы бөлшектерді ғана пайдаланыңыз. Басқа тараптық өндіруші дайындаған бөлшектер нақты сай болмайды және жарақаттану қаупін жоғарылатады.

• Құралды құрғақ әрі балалардың қолы жетпейтін жерде, тез тұтанатын материалдардан қауіпсіз қашықтықта сақтаңыз.

• Құралға су тигізбеңіз!



НАЗАР АУДАРЫҢЫЗ! Қандай да бір рәсімді бастар алдында компрессорды сөндіру, розеткадан қорек кабелін алып шығу және цилиндрдегі (2) қысымды түсіру керек (қақпақша сақтандырғышының сақинасын тартып бұраңыз (12)).

Сығымдағышты тазарту

Жұмыстан кейін сығымдағыштың үстіңгі бетін жұмсақ қылшақпен және матамен тазартқан жөн.

Сығымдағышты тазарту үшін улы заттарды немесе еріткіштерді пайдаланбаңыз.

Майды алмастыру

Майды уақтылы тексеріп отырыңыз (әр 6 ай немесе). Майды алмастыру қажет алғашқы 30 жұмыс сағатынан кейін.

[F4]

1. Сығымдағышты тегіс үстіңгі бетке орнатыңыз.
2. Ағызатын саңылаудың астына өңделген майды құюға арналған контейнерді қойыңыз.
3. Өңделген май ағызудың саңылауынан ағуды тоқтатпағанға дейін май ағызудың арналған тығынды (32) алып шығыңыз .
4. Тығынды (32) бұрандалап жабыңыз, бакты жаңа маймен толтырыңыз.



НАЗАР АУДАРЫҢЫЗ! Майды экологиялық таза тәсілмен тазартыңыз, оны тиісті жинау бекетіне жіберіңіз!

Ауа сүзгісіне (18) қызмет көрсету

Ауа сүзгісінің (18) сүзгіш элементін (27) уақтылы тексеріп отырыңыз (оның ластануы қоршаған ортаға байланысты). Қажет болған жағдайда ауа сүзгішті тазартыңыз (алмастырыңыз), бірақ әрбір 100 жұмыс сағатынан жиірек емес. Ластанған ауа сүзгіші сығымдағыштың пайдалы әрекет ету коэффициентін төмендетеді және тозуын күшейтеді.



НАЗАР АУДАРЫҢЫЗ! Зақымдануды болдырмау үшін сүзгіш элементті (27) айналдырмаңыз.

1. Сығымдағышты тегіс жерге орнатыңыз.
2. Бекітетін болтты бұрап шығарыңыз (егер бар болса).
3. Қақпақты (26) алып тастаңыз.
4. Сүзгіш элементті (27) алып шығыңыз.
5. Сүзгіш элементті (27) спирттің немесе еріткіштің көмегімен тазартыңыз.
6. Сүзгіш элементті сығыңыз.
7. Сүзгіш элементті (27) қақпаққа (26) орналастырыңыз.
8. Қақпақты (26) орнына орналастырыңыз және пластмассалы тиектерін бекітіңіз. Немесе бекітетін болты тартыңыз (егер бар болса).

[F5]

Конденсатты жою

Жүйелі түрде және жұмыс аяқталғаннан кейін (егер жұмыс ұзақтығы бір сағаттан асса) сығымдағышты цилиндрден (2) алып тастаңыз. Осылайша цилиндр (2) ішіндегі тоттанудың алдын алуға болады.

1. Сығымдағышты тегіс жерге орнатыңыз.
2. Сығымдағыштың золотникті қақпақшасының (22) астына конденсатты жоюға арналған контейнерді орнатыңыз.
3. Золотникті қақпақшаны (22) айналдырып бұраңыз және сығымдағыштың толығымен ағып кеткеніне дейін күте тұрыңыз.
4. Золотникті қақпақшаны (22) айналдырыңыз.

[F6]

Басқа элементтерді уақтылы түрде тексеру

- Цилиндрдің (2) зақымдануларын және онда үгілу белгілерінің болуын үнемі тексеріп отырыңыз. Цилиндрдің (2) зақымдалған жерлеріне өздігінен жөндеу жұмыстарын жасауға (механикалық немесе

дөнекерлеу арқылы) тыйым салынады. Зақымдалған цилиндрді (2) IVT ресми орталықтарында толығымен алмастыру қажет.

- Сақтандырғыш қақпақшаның (12) және манометрдің (9) күйін уақтылы тексеріп отырыңыз.
- Сығымдағыш сорғыны (16) уақтылы түрде тексеріп отырыңыз.

Қайтарымсыз қақпақшаны (31) тексеріп қарау

Егер сығымдағышты қоқан кезде цилиндрде (2) қысым азайса және сығымдалған ауаның келіп түсуі тоқтатылса, онда қайтарымсыз қақпақшаның (31) күйін тексеру қажет.

1. Бітеуішті (29) алып тастаңыз, серіппені (30) және қайтарымсыз қақпақшаны (31) алып шығыңыз.
2. Қақпақшаны (31) тазартыңыз (қажет болса алмастырыңыз). Сондай-ақ қақпақшаның ұяшығын да тазартыңыз.
3. Кері қақпақша (31) мен серіппені (30) орнына орналастырыңыз және бітеуішті (29) қойыңыз.

[F7]

Тасымалдау

Сығымдағышты бір орыннан екіншіге ауыстыру үшін арнайы тұтқаны (7) пайдаланыңыз.

Сығымдағышты басқаша тәсілмен орын ауыстыруға тыйым салынады.

Ұзақ уақыт бойы сақтау

Сығымдағышты ұзақ уақыт бойы сақтау үшін бактан майды ағызып алу қажет.

- Сығымдағыштың ғимараттың сыртында немесе ылғалды ортада сақтамаңыз.
- Тасымалдау және сақтау кезінде сығымдағышты бүйіріне аударыңыз.

ЕСКЕРТУ: IVT қызмет көрсету орталығына жүгінген кезде май бағы 1/3 бөлікке толтырылғандығына көз жеткізіңіз.

ҚОРШАҒАН ОРТАНЫ ҚОРҒАУ



Қалдықты болдырмау мақсатында шикізатты қайта қолдану!

Құралды, қосымша жабдықтарды және қаптаманы экологиялық таза жолмен қайта өңдеуге жіберу керек.

Пластикалық бөлшектер классификациялық қайта өңдеуге жіберіледі.

Осы нұсқаулықтар хлор пайдаланбай дайындалған екінші өңделім қағазына басылған.

АҚАУЛЫҚТАРДЫ ЖОЮ


САҚ БОЛЫҢЫЗ! Құралдың ақаулықтары бар-жоғын тексермей тұрып, оны розеткадан ажыратыңыз.

Әдеттегі ақаулық	Ақаулық себебі	Шешімі
Қозғалтқыш қосылмайды (4) іске	<ul style="list-style-type: none"> Қорек көзі және/немесе өткізбе сәйкес келмейді. Қорек желісінің ақаулығы немесе кернеудің жеткіліксіздігі. Өткізбе номиналды көлемнен кем немесе тым ұзын сызбанұсқа. Автоматты қысым релесінің (10) немесе ажыратқыштың (11) ақаулығы. Жылу қорғанышы іске қосылды, мысалы жеткілікті деңгейде салқындатпағандықтан (мысалы, желдеткіш саңылаулары жабық). Электрқозғалтқышы сынап қалды. 	<ul style="list-style-type: none"> Қорек желісінің кернеуін тексеріңіз. Кабельдерді, ашаларды, розетканы және желінің сақтандырғышын тексеріңіз. Қорек қосулы екендігіне назар аударыңыз. Тексеріңіз және қажет болғанда жөндеу жүргізіңіз немесе алмастырыңыз. Электрқозғалтқыштың (4) салқындағанын күте тұрыңыз. Қажет болған жағдайда желдеткіш саңылауларды (15) босатыңыз. IVT ресми қызмет көрсету орталығына жүгініңіз.
Өзгеше шу, шамадан тыс діріл, тарсыл	<ul style="list-style-type: none"> Сығымдағыш түзу тұрған жоқ. Ұштастырғыш бөлшектер мен қақпақшалар әлсіреген немесе зақымдалған. (AC-70PB; AC-100PB) Белдік (19) әлсіреген. Шығатын жердегі шамадан тыс қысым. Ұсынылмаған май пайдаланылды. Қысым төмен болғанда қайтарымсыз қақпақша (31) тарсылдайды. Қақпақшаларда күйік болуы. Мойынтірек, қақпақша немесе жалғастырғыш шток зақымдалған. 	<ul style="list-style-type: none"> Сығымдағышты түзу қойыңыз. Тексеріп қараңыз, әлсіреген ұштастыруларды тартыңыз, тозған бөлшектерді алмастырыңыз. Белдіктің (19) тартылуын тексеріңіз және реттеңіз. Жұмыс қысымын азайтыңыз. Майды ағызып жіберіңіз және берілген кеңестерге сәйкес етіп жаңа майды құйыңыз. Қақпақшаны (31) тазартыңыз. Тазартыңыз. Сығымдағышты сөндіріңіз! Ресми қызмет көрсету орталығына жүгініңіз.
Сығымдағыш жұмыс жасайды, бірақ қысым жеткіліксіз	<ul style="list-style-type: none"> Цилиндрдегі (2) золотникті қақпақша (22) ағып кетеді. Қайтарымсыз қақпақша (31) ағып кетеді. (AC-70PB; AC-100PB) Өткізгіш белдік (19) сырғанады. 	<ul style="list-style-type: none"> Қақпақшаны (22) қарап шығыңыз, оны қолмен тартыңыз және қажет болса алмастырыңыз. IVT ресми қызмет көрсету орталығына жүгініңіз. Белдікті (19) тартыңыз.



Әдеттегі ақаулық	Ақаулық себебі	Шешімі
Пневматикалық құралдағы қысым жеткіліксіз	<ul style="list-style-type: none"> Қысым редукторы (24) жеткіліксіз кең ашылған. Сығымдағыш пен пневматикалық құрал арасындағы шлангтық сығымдағыш ағып тұр. Ұштастырғыш муфта (8) жабық. 	<ul style="list-style-type: none"> Редукторды (24) кеңірек ашыңыз. Ауа шлангтарын тексеріңіз, қажет болса зақымдалған бөлшектерді алмастырыңыз. Қран ашық екенін тексеріңіз (егер болса). Қысым редукторы (24) 0-ге орнатылғандығын тексеріңіз (егер қолданылса).
Майдың шамадан тыс шығындалуы	<ul style="list-style-type: none"> Ауа сүзгіші (18) ластанған. Тұтқырлық деңгейі сай емес ұсынылмаған май пайдаланылды. Майдың деңгейі анағұрлым жоғары. Май ағып тұр. Мікбасты сақиналар тозған немесе цилиндр зақымдалған. 	<ul style="list-style-type: none"> Ауа сүзгішін (18) тазартыңыз немесе қажет болса сүзгіш элементін (27) алмастырыңыз. Майды ағызып жіберіңіз және берілген ұсыныстарға сәйкес етіп жаңа майды құйыңыз. Майды қажетті деңгейге дейін құйыңыз. Қарап шығыңыз және жөндеу жүргізіңіз. Жөндеуді немесе алмастыруды IVT ресми қызмет көрсету орталықтарында жүргізіңіз.

Егер осы ақпараттар сізге мәселені шешуге көмектеспесе, өтінеміз, IVT сервистік орталығына хабарласыңыз.

ҚР аумағында сапа бойынша наразылықтарды қабылдайтын ұйым: «Костанай DWT/ДВТ» ЖШС | Қостанай қ. Целинная көш., 4 - Қазақстан Республикасы | тел (7142) 28 07 00, -01 | Организация, принимающая претензии на территории РК: ТОО «Костанай DWT/ДВТ» | г. Костанай, ул. Целинная, 4 - Республика Казахстан | тел (7142) 28 07 00, -01



НАЗАР АУДАРЫҢЫЗ! БҰЙЫМҒА ӨЗ БЕТІҢІЗБЕН ЖӨНДЕУ ЖҮРГІЗІП, ОНЫҢ ІЗДЕРІН ЖАСЫРУҒА ТЫРЫСУҒА МҮЛДЕМ БОЛМАЙДЫ! Тек қана авторлық құқығы бар қызмет көрсету орталығының жөндеу жүргізуге және қамтылған техникалық қызмет көрсетуге құқығы бар. Бұйымның ішкі құрылымына өзгерістер енгізуге тыйым салынады! МҮНДАЙ ӘРЕКЕТТЕР КЕПІЛДІК МІНДЕТТЕМЕЛЕРДЕН БАС ТARTУҒА НЕГІЗ БОЛЫП ҚАНА ҚОЙМАЙ, СОНЫМЕН ҚАТАР ҚАУІПТІ ЖАРАҚАТ АЛУҒА ЖӘНЕ ЗИЯН КЕЛТІРУГЕ СЕБЕПШІ БОЛУЫ МҮМКІН.

SPECIFICHE TECNICHE

Modello	AC-24PB	AC-50PB	AC-50PB2C	AC-70PB	AC-100PB
Voltaggio ~ Frequenza [V ~ Hz]	230 ~ 50	230 ~ 50	230 ~ 50	230 ~ 50	400 ~ 50
Potenza nominale [W]	1800	1800	2200	2200	4000
Potenza del motore [HP]	2.5	2.5	3	3	5.5
Velocità a vuoto [RPM]	2800	2800	2800	1020	850
Portata [L/min]	206	206	350	311	648
Pressione di lavoro [bar]	8	8	10	10	12.5
Capacità del serbatoio [L]	24	50	50	70	100
Livello pressione sonora [dB(A)]	92 (K=3)	92 (K=3)	95 (K=3)	93 (K=3)	96 (K=3)
Livello potenza sonora [dB(A)]	92 (K=3)	92 (K=3)	95 (K=3)	93 (K=3)	96 (K=3)
Livello delle vibrazioni [m/s²]	71 (K=1.5)	71 (K=1.5)	71 (K=1.5)	300 (K=1.5)	300 (K=1.5)
Peso [kg]	22	30	42	75	95
Classe di sicurezza	B	B	B	B	B

COMPONENTI

1. Scocca di protezione
2. Serbatoio aria compressa
3. Uscita aria compressa a pressione controllata
4. Motore elettrico
5. Pomello del riduttore di pressione
6. Manometro pressione di uscita
7. Maniglia
8. Uscita aria compressa
9. Manometro pressione serbatoio
10. Pressostato
11. Interruttore di accensione/spegnimento
12. Valvola di sicurezza
13. Tubo di connessione
14. Tappo del serbatoio dell'olio (sfiato)
15. Aperture di ventilazione
16. Pompa del compressore
17. Finestra di ispezione
18. Filtro dell'aria
19. Cinghia
20. Protezione cinghia
21. Piedini in gomma
22. Valvola scarico condensa
23. Ruota
24. Corpo riduttore di pressione
25. Dispositivo di avviamento magnetico
26. Scocca del filtro dell'aria
27. Elemento filtrante
28. Tappo dell'ingresso elettrico
29. Tappo valvola di non ritorno
30. Molla valvola di non ritorno
31. Valvola di non ritorno
32. Tappo drenaggio olio

CONTENUTO DELLA CONFEZIONE

(AC-24PB; AC-50PB; AC-50PB2C)

Manuale d'istruzioni (1 pz), ruote (1 set), tanica con olio (1 pz), piedini in gomma (1 set), filtro dell'aria (1 set), tappo serbatoio dell'olio (sfiato) (1 pz).

(AC-70PB; AC-100PB)

Manuale d'istruzioni (1 pz), ruote (1 set), tanica con olio (1 pz).

UTILIZZO

Questo strumento è stato progettato per la produzione di aria compressa necessaria al funzionamento di impianti o all'utilizzo di accessori pneumatici. Esso permette, inoltre, di mantenere costante il valore della pressione all'interno di un impianto pressurizzato.

NORME DI SICUREZZA PER L'USO

Regole generali di sicurezza

Le seguenti istruzioni di sicurezza servono per il corretto utilizzo dello strumento e per la tutela della propria sicurezza, pertanto si prega di leggere molto attentamente.

Quando si passa questo strumento ad una terza persona, anche queste istruzioni devono essere consegnate.

Conservare questo manuale di istruzioni e tutta la documentazione in dotazione con lo strumento per farvi riferimento in futuro, in caso di bisogno.

Integrare le seguenti norme di sicurezza con le indicazioni riportate sul prodotto.

Prendere confidenza con tutti i pulsanti e i controlli e assicurarsi di conoscere il corretto utilizzo dello



strumento prima di iniziare a utilizzarlo, ma soprattutto assicurarsi di sapere come interromperne l'uso in caso di emergenza.

Seguire queste semplici istruzioni contribuirà inoltre a mantenere lo strumento in buone condizioni di lavoro.

- Lo strumento deve essere montato correttamente prima dell'uso.

- Usare lo strumento solamente per gli scopi per cui è stato progettato.

- In aggiunta al prodotto sono state progettate anche delle etichette di sicurezza che devono essere prese in considerazione assieme con le indicazioni in merito all'equipaggiamento di sicurezza che deve essere adottato. La prevenzione di incidenti dipende dalla consapevolezza, dal buon senso e dalla formazione adeguata di tutti i soggetti coinvolti nell'utilizzo, nel trasporto, nella manutenzione e stoccaggio dello strumento.

- Non lasciare mai lo strumento incustodito.

- Non permettere ai bambini di utilizzare lo strumento. I bambini devono essere tenuti sempre sotto controllo per impedire che giochino con lo strumento.

- Tenere i bambini e gli animali domestici lontano. I terzi devono essere mantenuti a un'opportuna distanza di sicurezza quando lo strumento è in uso. Interromperne l'utilizzo se vi sono nei paraggi altre persone, specialmente bambini o animali domestici.

- L'utente è responsabile per i terzi, mentre lavora con lo strumento.

- Le persone che non conoscono le istruzioni per l'uso, i bambini, i minori che non hanno ancora raggiunto l'età minima per l'utilizzo di questo strumento e le persone sotto l'influenza di alcool, droghe o farmaci non sono autorizzati ad utilizzare lo strumento. Alcune normative locali possono stabilire l'età minima dell'utilizzatore.



ATTENZIONE! Il consumo di alcool, farmaci e droghe, oltre a stati di malattia, febbre e stanchezza possono influenzare la capacità di reagire. Non usare lo strumento in una o più di queste condizioni.

- Assicurarsi che tutti i dispositivi di protezione (se presenti) siano montati correttamente e che siano in buone condizioni.

- Non usare mai lo strumento con i dispositivi di sicurezza o eventuali protezioni (se presenti) difettosi o senza dispositivi di sicurezza correttamente montati.

- Ispezionare bene lo strumento per cercare parti eventualmente allentate (per esempio: dadi, bulloni, viti, etc) e eventuali danni. Controllare a intervalli frequenti, che viti e bulloni siano adeguatamente serrati e che le attrezzature siano in buone condizioni di lavoro. Ripararle o sostituirle, se necessario, prima di utilizzare lo strumento. Gravi lesioni all'operatore e ai presenti

possono verificarsi se vi è un danno allo strumento.

- Durante il funzionamento dello strumento, vestirsi adeguatamente. Non indossare abiti larghi o gioielli che potrebbero impigliarsi nello strumento. Indossare indumenti da lavoro adatti. Si raccomanda che le gambe e i piedi siano ben coperti, al riparo da eventuali schegge durante il lavoro. Non utilizzare lo strumento se si è a piedi nudi o con sandali aperti. I capelli lunghi devono essere raccolti dietro la nuca.

- Mantenere tutte le impugnature e i manici asciutti, puliti e privi di olio o grasso.

- Usare dispositivi di protezione. Usare occhiali di protezione e guanti di sicurezza. Indossare anche una mascherina antipolvere durante le operazioni polverulente e se sono presenti gas di scarico. Quando è necessario, indossare anche scarpe robuste e antiscivolo, casco e tappi per le orecchie. Se il livello di rumore supera 85 dB (A), è obbligatoria una protezione acustica.



ATTENZIONE! Utilizzare dispositivi di protezione personale! I dispositivi di sicurezza e le attrezzature di protezione personale proteggono la propria salute e la salute degli altri e garantiscono un funzionamento senza problemi dello strumento.

- Non iniziare ad utilizzare lo strumento se questo è capovolto o non è nella corretta posizione di lavoro.

- Accertarsi di avere una corretta posizione mentre si opera con lo strumento. Mantenere una posizione salda e un buon equilibrio in ogni momento.

- Tenere pulita l'area di lavoro. Prima dell'uso dello strumento, tutti gli eventuali ostacoli devono essere rimossi dalla zona di lavoro; prestare attenzione anche a eventuali corpi estranei durante il lavoro.

- Non forzare lo strumento.

- Lavorare solo alla luce del giorno o comunque in condizioni di sufficiente illuminazione artificiale. Non utilizzare mai lo strumento senza una buona visibilità.

- Fare attenzione a non fare cadere lo strumento o ad urtarlo contro ostacoli.

ATTENZIONE! Mantenere sempre un'attenzione costante. Prestare attenzione a quello che si sta facendo. La distrazione può causare la perdita di controllo. Utilizzare il buon senso.

Regole di sicurezza elettriche

ATTENZIONE! Quando si usano utensili elettrici, si devono osservare le seguenti istruzioni di sicurezza per evitare il rischio di scosse elettriche, lesioni personali e incendio. Leggere e osservare

attentamente tali istruzioni prima di utilizzare lo strumento.

• Per una maggiore sicurezza, si raccomanda di usare un dispositivo di protezione dalla corrente residua (RCD) con una corrente di apertura non superiore ai 30 mA. Controllare sempre tale dispositivo ogni volta che si usa la macchina. Consultare un elettricista affidabile.



ATTENZIONE! L'uso di un RCD o di un salvavita nel cablaggio non dispensa l'utente dal considerare le seguenti istruzioni di sicurezza e seguire indicazioni di lavoro sicure illustrate in questo manuale.

• Il valore di tensione della corrente deve corrispondere a quello descritto sulla targhetta dei dati tecnici. Non usare altri voltaggi. La connessione del dispositivo a qualsiasi altra fonte di energia può causare danni.

• Prima di inserire la spina nella presa della corrente, assicurarsi che il voltaggio sia corretto e corrisponda a quello riportato sulla targhetta dell'apparecchio.

• Evitare il contatto del corpo con eventuali oggetti a terra, come tubi, radiatori, fornelli e frigoriferi. C'è un aumento del rischio di scosse elettriche se il corpo è messo a terra.



ATTENZIONE! Toccare le parti elettrificate può causare morte per scosse elettriche o bruciate.

• Non spostare mai l'apparecchio tirandolo per il cavo.

• Non tirare il cavo elettrico. Tenerlo lontano da fonti di calore, olio, spigoli vivi o parti in movimento.

• Guidare i cavi elettrici sempre in modo sicuro.

• Non utilizzare utensili elettrici vicino a liquidi o a gas infiammabili.

• Scollegare sempre l'apparecchio dalla rete elettrica prima di trasportarlo in altri luoghi.



ATTENZIONE! L'apparecchio deve sempre essere staccato dalla corrente prima di scollegare qualsiasi connettore ad innesto o prolunghie.

• Non passare l'apparecchio sopra al cavo elettrico mentre lo strumento è in funzione. Assicurarsi di sapere sempre dove si trova il cavo.

• Non collegare da sè un cavo di alimentazione direttamente al dispositivo. Portarlo presso il punto di

assistenza più vicino.

• Per evitare qualsiasi rischio, in caso di danneggiamento, il cavo di alimentazione dovrebbe essere sostituito dal produttore o da un suo agente, o comunque da personale qualificato.

• Staccare immediatamente la spina dalla presa di corrente se il cavo è danneggiato o tagliato.



ATTENZIONE! PERICOLO DI SCOSSA ELETTRICA!

Esaminare sempre l'ambiente di lavoro. Non esporre i dispositivi elettrici alla pioggia. Non utilizzare gli elettrodomestici in luoghi umidi o bagnati. Mantenere l'area di lavoro ben illuminata ed asciutta. Evitare che il dispositivo si bagni o venga esposto all'umidità. Non lasciarlo fuori la notte. Se entra acqua in un apparecchio elettrico vi è un aumento del rischio di scosse elettriche.

• Il cavo di alimentazione deve essere controllato periodicamente e, prima di ogni utilizzo, assicurarsi che non sia danneggiato o usurato. Se il cavo non è in buone condizioni, non utilizzare l'apparecchio; portarlo in un centro di assistenza autorizzato.

• Quando lo strumento viene impiegato all'aperto, utilizzare esclusivamente un cavo di prolunga per esterni, marchiato per questo uso specifico. Tenerlo lontano dalla zona di lavoro, da umidità, superfici bagnate o oleose e lontano da fonti di calore e combustibili.

• Evitare qualsiasi avviamento involontario del dispositivo: accertarsi che l'interruttore di accensione sia spento prima di collegare lo strumento alla corrente.

• Rimuovere eventuali chiavi di regolazione prima di accendere lo strumento.

• Non utilizzare lo strumento se l'interruttore di accensione/spegnimento è difettoso o non funziona correttamente. Qualsiasi strumento che non può essere controllato tramite il suo interruttore è pericoloso e deve essere riparato.



ATTENZIONE! Durante l'utilizzo dello strumento, potrebbero essere prodotte alcune polveri contenenti sostanze chimiche che possono causare il cancro, difetti genetici e altri problemi riproduttivi.

Alcune di queste sostanze chimiche sono: vernici a base di piombo, silice cristallina di mattoni e cemento e altri prodotti per muratura, arsenico e cromo derivanti da legname trattato chimicamente e altri prodotti pericolosi. Se tali polveri sono presenti, il rischio varia in base alla lunghezza dell'esposizione e al tipo di lavoro.



Per ridurre l'esposizione a tali sostanze chimiche, ogni volta che si compiono operazioni polverulente, lavorare in una zona ben ventilata con dispositivi di sicurezza approvati, come le maschere anti-polvere, che sono state appositamente progettate per filtrare anche le particelle microscopiche.

- Se con lo strumento si colpisce un corpo estraneo, esaminare il dispositivo per individuare eventuali danni e procedere con tutte le riparazioni necessarie prima di riavviare e continuare a lavorare.
- Se lo strumento inizia a vibrare in modo anomalo, spegnerlo e cercare di individuare immediatamente la causa. Vibrazioni anomale sono dovute generalmente a malfunzionamenti.
- Spegnerne sempre il dispositivo e aspettare che esso si sia fermato completamente quando lo si lascia incustodito, prima di fare manutenzione, prima di controllarlo e pulirlo.
- È proibito modificare o rimuovere qualsiasi parte interna del dispositivo.

Regole di sicurezza specifiche

- Questa macchina è stata progettata per la produzione di aria compressa e non deve essere utilizzata per scopi diversi da questo.
- Un utilizzo diverso da quello sopra citato, alterazioni del dispositivo, uso di componenti, accessori e pezzi di ricambio non adeguati possono causare danni imprevedibili.
- È proibito utilizzare la macchina per comprimere aria per impiego sanitario, alimentare o per riempire bombole di ossigeno.
- Questa macchina non è destinata al riempimento di bombole di ossigeno per la respirazione subacquea.



ATTENZIONE! Gas esplosivi, combustibili o dannosi per la salute non devono essere compressi!

- Quando si utilizza la macchina per scopi quali: gonfiaggio di gomme e pneumatici, verniciatura, lavaggio, uso di accessori pneumatici, l'utilizzatore deve essere a conoscenza delle norme di sicurezza per ogni caso specifico.
- Assicurarsi che tutti gli accessori ad aria compressa siano adatti alla pressione di esercizio del compressore o siano collegati ad un dispositivo per la regolazione della pressione.
- Questa macchina è stata progettata per un utilizzo continuo ed autonomo. Assicurarsi che il dispositivo sia stato posizionato lontano da sostanze infiammabili e che sia garantito il suo normale raffreddamento.



ATTENZIONE! È proibito l'uso della macchina in luoghi ove vi sia pericolo di esplosione o di incendio!

- La macchina non deve essere utilizzata in aree polverose o dove vi sia presenza di gas esplosivi o vapori di sostanze aggressive.
- È vietato lasciare la macchina sotto la pioggia o la neve, nonché operare in presenza di grande umidità.
- Non toccare la macchina con le mani bagnate.



ATTENZIONE! Non dirigere il getto di aria compressa verso persone, animali o il proprio corpo. Non dirigere il getto di aria compressa (o di sostanze nebulizzate) verso la macchina stessa.

- Assicurarsi che tutte le viti, bulloni e connessioni siano ben serrati prima di azionare il dispositivo.
- Non cercare di riparare il dispositivo da sé. Solo il personale specializzato può provvedere alla riparazione del compressore, delle sue componenti e accessori pneumatici.



ATTENZIONE! Rischio di ustioni se si toccano le superfici calde delle parti che convogliano l'aria compressa! Tali superfici possono raggiungere temperature elevate. Attendere che il dispositivo si sia raffreddato prima di procedere al trasporto o alla manutenzione dell'unità.



ATTENZIONE! Non respirare aria direttamente dal compressore o da un dispositivo di respirazione collegato al compressore. Lavorare in una zona con una buona ventilazione trasversale.

- Indossare dispositivi di protezione personale! Utilizzare dispositivi di protezione acustica. Indossare occhiali di protezione e una mascherina con elementi filtranti se durante il lavoro vengono generate polveri nocive per la salute.
- Considerare che il motore elettrico del dispositivo si avvierà automaticamente ogni volta che la pressione scenderà al livello minimo! Disconnettere dalla fonte di alimentazione prima di ogni operazione di manutenzione. Avviare la macchina solo dopo avere

già montato eventuali accessori. Montare e disinnestare gli accessori pneumatici solo dopo avere spento la macchina.

- Non svitare nessuna componente quando vi è ancora pressione nel serbatoio.
- A lavoro ultimato, non lasciare aria compressa nel serbatoio. È vietato trasportare la macchina con il serbatoio carico.
- A lavoro ultimato, attendere che la macchina si raffreddi. Solo dopo è possibile coprire l'unità o riportarla in eventuali involucri protettivi.
- **ATTENZIONE!** Il compressore deve essere posizionato il più vicino possibile alla rete principale di alimentazione. Non usare MAI una prolunga con questo prodotto. Al posto di una prolunga, utilizzare un tubo dell'aria supplementare per evitare la perdita di potenza e danni permanenti al motore.
- **ATTENZIONE!** Questo apparecchio deve essere collegato a terra con la messa a terra elettrica: la mancata di un'adeguata messa a terra per questo prodotto potrebbe causare lesioni gravi o morte per folgorazione.

ESTRARRE DALL'IMBALLAGGIO

Quando si apre la confezione, assicurarsi che tutti i componenti siano inclusi. Consultare le istruzioni su questo manuale. Per eventuali parti mancanti o danneggiate, si prega di contattare l'assistenza IVT.

ISTRUZIONI PER L'ASSEMBLAGGIO

Quando si eseguono le seguenti procedure, non applicare una forza eccessiva nelle operazioni di fissaggio, per evitare il danneggiamento dei giunti filettati.

Importante! È necessario montare completamente l'apparecchio prima di usarlo per la prima volta.

Montaggio delle ruote (23) e dei piedini in gomma (21) [F1]

Nel caso in cui le ruote (23) non siano montate sulla macchina, dopo averla estratta dall'imballaggio, montare le ruote (23) e i piedini in gomma (se presenti) in maniera appropriata.

Montaggio del filtro dell'aria (18)

Se il filtro dell'aria (18) non è ancora montato, è necessario installarlo sulla macchina.

- Innanzitutto, rimuovere i fermi per il trasporto con un cacciavite o uno strumento simile, quindi serrare accuratamente il filtro dell'aria (18) sulla testa del cilindro.

MESSA IN FUNZIONE

Usare sempre la corretta tensione di alimentazione: essa deve coincidere con le specifiche riportate sulla targhetta apposta sul prodotto.

Controllare il livello dell'olio



ATTENZIONE! PRIMA DI ACCENDERE LA MACCHINA PER LA PRIMA VOLTA, è necessario installare il tappo del serbatoio dell'olio. Rimuovere il tappo di plastica per il trasporto (è solo un tappo protettivo usato per il trasporto) dal foro di riempimento dell'olio e sostituirlo con il tappo del serbatoio dell'olio (sfiato) (14).

Prima dell'utilizzo, così come durante il lavoro, è necessario controllare il livello dell'olio nel serbatoio attraverso la finestra di ispezione (17). Se il livello dell'olio è basso, è necessario riempire il serbatoio.

1. Posizionare la macchina su di una superficie piana e pulita.
2. Pulire con un panno la zona intorno al tappo del serbatoio dell'olio (14) e svitarlo.
3. Riempire il serbatoio con olio (non superare il massimo livello).
4. Chiudere il serbatoio riposizionando il tappo del serbatoio dell'olio (14). **[F2]**

L'olio utilizzato deve essere pulito. Utilizzare solo olio raccomandato SAE30, se la macchina funziona a temperatura superiore a 10°C e SAE10, se la macchina funziona a temperatura inferiore a 10 °C.



ATTENZIONE! È vietato utilizzare la macchina con quantità di olio insufficienti, in quanto la macchina si può danneggiare e il diritto di riparazione in garanzia viene invalidato.



ATTENZIONE! Prima di eseguire l'operazione di rabbocco olio, spegnere l'apparecchio e staccare il cavo di alimentazione dalla presa di corrente.

Controllo della tensione della cinghia (19) (AC-70PB; AC-100PB)

Controllare la tensione della cinghia (19). La tensione è corretta quando la cinghia (19) può essere premuta



verso il basso di circa 10-15 mm, se si applica pressione con le dita al centro della cinghia (19). Se la cinghia (19) è troppo tesa, il motore elettrico (4) potrebbe rischiare il sovraccarico e quindi surriscaldarsi. Se, al contrario, la tensione della cinghia (19) è insufficiente, vi sarà un'usura eccessiva della cinghia (19) e potrebbero verificarsi vibrazioni anomale.



ATTENZIONE! Non scollegare mai la spina dalla corrente per spegnere la macchina! Al contrario, impostare l'interruttore di accensione / spegnimento (11) in posizione OFF!

ACCENSIONE / SPEGNIMENTO

Accensione

(AC-24PB; AC-50PB; AC-50PB2C; AC-70PB)

- Inserire la spina del cavo di alimentazione nella presa di corrente.
- Tirare l'interruttore di accensione / spegnimento (11) verso l'alto.

(AC-100PB)

Per questo modello, il voltaggio deve essere 400V.

- Collegare il cavo di alimentazione inserendolo nell'entrata elettrica del dispositivo di avviamento magnetico (25), dopo aver rimosso il tappo dell'ingresso elettrico (28) (se presente).
- Posizionare il pulsante di accensione del dispositivo di avviamento magnetico (25) in posizione ON. Il dispositivo magnetico fornisce un metodo sicuro per avviare un motore con un carico elevato. Inoltre, fornisce protezione dal sovraccarico e l'arresto automatico in caso di mancanza di corrente.
- Posizionare l'interruttore di accensione / spegnimento (11) (se presente) sulla posizione "on".

Lasciare girare a vuoto il motore (4) del compressore per 10 minuti, al fine di garantire la lubrificazione delle parti in movimento, prima di procedere col regolare funzionamento.

Spegnimento

(AC-24PB; AC-50PB; AC-50PB2C; AC-70PB)

- Tirare l'interruttore di accensione/spegnimento (11) verso il basso.
- Rimuovere la spina del cavo di alimentazione dalla presa di corrente.

(AC-100PB)

- Posizionare l'interruttore di accensione / spegnimento (11) (se presente) sulla posizione "off".
- Premere il pulsante di accensione del dispositivo di avviamento magnetico (25) in posizione OFF.
- Disconnettere la macchina dalla fonte di alimentazione.

ISTRUZIONI OPERATIVE

- Posizionare la macchina su una superficie piana solida e asciutta, per garantire il corretto funzionamento della stessa.
- Assicurarsi che la macchina sia al riparo da gocce e spruzzi d'acqua.
- La zona in cui si opera con il dispositivo deve essere ben ventilata.
- Se dovesse essere necessario trasportare la macchina, prima spegnerla, scollegarla dalla fonte di alimentazione e rilasciare l'aria compressa presente nel serbatoio (2); solo in seguito, procedere al trasporto della macchina.
- Quando non si utilizza l'apparecchio, spegnerlo, disconnettere dalla fonte di alimentazione, rilasciare l'aria compressa presente nel serbatoio (2) e scollegare eventuali accessori pneumatici.

Funzionamento automatico del pressostato (10)

Il pressostato (10) mantiene costante il valore della pressione nel serbatoio (2) dell'aria, accendendo o spegnendo il motore (4) della macchina, a seconda del consumo di aria compressa.

Quando la macchina è accesa, il compressore inizia a pompare aria nel serbatoio (2) attraverso il tubo di connessione (13).

Al raggiungimento del valore massimo di pressione (questo parametro è impostato dalla fabbrica), il pressostato (10) spegne automaticamente il motore elettrico (4).

L'aria in eccedenza presente nel tubo di connessione (13) e nella pompa del compressore (16) viene rilasciata attraverso la valvola di non-ritorno (31), cosicché non rimanga eccessiva pressione nel tubo di connessione (13) e nella pompa del compressore (16). La valvola di non-ritorno (31) evita che vi siano reflussi di aria dal serbatoio (2) alla testa del compressore. Questo per facilitare il successivo avvio del motore (4), che incontrerà quindi una minore resistenza.

Quando la pressione raggiunge il valore minimo, il motore elettrico (4) si avvia pompando aria nel serbatoio (2) fino a quando il valore massimo sarà raggiunto.

Se il pressostato (10) non dovesse funzionare, interverrà la valvola di sicurezza (12), che ridurrà la pressione interna del serbatoio (2). In questo caso è necessario rivolgersi

ad un centro assistenza autorizzato IVT e provvedere alla riparazione.

Protezione termica (se presente)

Se la macchina è equipaggiata con un sistema di protezione termica, tale dispositivo interverrà spegnendo il motore (4), quando questo è soggetto a sovraccarico o a surriscaldamento (ad esempio se il filtro dell'aria (18) è intasato).

Se il sistema di protezione termica si attiva, è necessario spegnere la macchina e risolvere il problema che ha causato il blocco. Successivamente è necessario lasciare raffreddare la macchina prima di procedere con l'utilizzo.

Regolazione della pressione

Riduttore di pressione (24)

Il riduttore di pressione (24) permette di regolare la pressione dell'aria, nell'uscita dell'aria compressa a pressione controllata (3), a seconda del consumo.

Impostare la pressione di uscita, controllandola dal manometro (6):

- per diminuire la pressione: ruotare il pomello del riduttore di pressione (5) in senso anti-orario.
- per aumentare la pressione: ruotare il pomello del riduttore di pressione (5) in senso orario.

[F3]

NOTA: è possibile regolare la pressione in uscita solo per l'uscita dell'aria compressa a pressione controllata (3). La pressione della seconda uscita (8) è uguale a quella del serbatoio (2) e può essere letta sul manometro della pressione serbatoio (9).

MANUTENZIONE E STOCCAGGIO



ATTENZIONE! Prima di qualsiasi intervento sul dispositivo stesso, togliere la spina dalla corrente.

- Tenere sempre lo strumento e le fessure di ventilazione (se presenti) pulite. La regolare pulizia e manutenzione dello strumento ne garantiscono l'efficienza e ne prolungano la vita.
- Se lo strumento non dovesse funzionare, nonostante le rigorose procedure di collaudo, la riparazione deve essere effettuata da un servizio IVT autorizzato.
- Tenere tutti i dadi, bulloni e viti ben serrati, per essere sicuri che lo strumento sia in buone condizioni operative.
- Sostituire tutte le parti usurate o danneggiate per sicurezza.
- Utilizzare esclusivamente ricambi originali. L'uso

di parti di ricambio non originali o non autorizzate dal produttore potrebbero causare scarse prestazioni o lesioni personali.

- Conservare lo strumento in un ambiente asciutto, fuori dalla portata dei bambini e lontano da materiali infiammabili.
- Non bagnare mai il dispositivo, né spruzzare acqua su di esso!



CAUTELA! Prima di procedere con le operazioni di manutenzione, la macchina deve essere spenta, il cavo di alimentazione deve essere scollegato dalla presa di corrente e il serbatoio (2) deve essere completamente svuotato - tirare l'anello della valvola di sicurezza (12).

Pulizia della macchina

Le superfici esterne devono essere pulite con una spazzola morbida ed un panno.

Non utilizzare sostanze caustiche o solventi per la pulizia della macchina.

Cambio dell'olio

Controllare regolarmente la condizione dell'olio (ogni 6 mesi). È necessario provvedere al cambio dell'olio dopo le prime 30 ore di funzionamento della macchina.

[F4]

1. Posizionare la macchina su una superficie piana;
2. Posizionare un contenitore per la raccolta dell'olio usato, sotto al foro di drenaggio dell'olio;
3. Svitare il tappo di drenaggio olio (32) ed attendere fino a quando tutto l'olio usato sia stato completamente drenato dal serbatoio.
4. Riavvitare il tappo di drenaggio olio (32) e riempire il serbatoio dell'olio con nuovo olio.



ATTENZIONE! Smaltire l'olio usato in maniera sicura per l'ambiente, portandolo in un centro di raccolta specializzato!

Pulizia del filtro dell'aria (18)

Controllare regolarmente la condizione dell'elemento filtrante (27) del filtro dell'aria (18) (il suo intasamento dipende da diversi fattori ambientali). La pulizia (o sostituzione) va effettuata ogni 100 ore di funzionamento. Un filtro dell'aria (18) intasato riduce l'efficienza del compressore e comporta un'usura maggiore.



ATTENZIONE! Non piegare o deformare l'elemento filtrante (27) per evitarne danneggiamenti.

1. Posizionare la macchina su una superficie piana.
2. Svitare il bullone di fissaggio (se presente).
3. Rimuovere la scocca del filtro dell'aria (26).
4. Rimuovere l'elemento filtrante (27).
5. Pulire l'elemento filtrante (27) con alcool o solvente;
6. Rimuovere accuratamente tutti i residui di alcool o solvente.
7. Montare l'elemento filtrante (27) nella scocca del filtro dell'aria (26).
8. Posizionare la scocca del filtro dell'aria (26) nel suo alloggio e premere fino a bloccarla. O serrare il bullone di fissaggio (se presente).

[F5]

Drenaggio della condensa

È necessario eseguire periodicamente (o dopo l'utilizzo se l'operazione dura più di un'ora) il drenaggio della condensa dal serbatoio (2). In questo modo si evita la formazione di corrosione all'interno del serbatoio (2).

1. Posizionare la macchina su una superficie piana.
2. Posizionare un contenitore sotto alla valvola di scarico condensa (22).
3. Svitare la valvola di scarico condensa (22) e attendere che la condensa sia stata completamente drenata.
4. Serrare nuovamente la valvola di scarico condensa (22).

[F6]

Controllo delle componenti del compressore

- Ispezionare regolarmente il serbatoio (2) e verificare che sia privo di danni o di segni di corrosione. In caso di danneggiamento, è vietato ripararlo da sé (sia con interventi meccanici, che effettuando saldature). Il serbatoio (2), se danneggiato, deve essere completamente sostituito dal centro di riparazione autorizzato IVT.
- Controllare regolarmente la condizione della valvola di sicurezza (12) e del manometro della pressione del serbatoio (9).
- Pulire correttamente e periodicamente il gruppo pompante del compressore (16).

Ispezione della valvola di non ritorno (31)

Se la pressione del serbatoio (2) diminuisce quando il motore è spento e non vi è stata richiesta di aria da parte dell'utente, è necessario controllare la valvola di non ritorno (31).

1. Svitare il tappo (29), togliere la molla (30) ed estrarre la valvola di non ritorno (31).
2. Pulire (o sostituire, se necessario) la valvola di non ritorno (31). Pulire anche la sua sede.
3. Posizionare la valvola di non ritorno (31) e la molla (30) nella loro posizione iniziale e serrare il tappo (29).

Trasporto

Trasportare la macchina tramite la maniglia (7). È vietato spostare la macchina afferrandola da altri elementi.

Stoccaggio a lungo termine

Se la macchina viene stoccata per un lungo periodo, l'olio deve essere completamente drenato dal serbatoio dell'olio.

- Non riporre la macchina all'esterno o in un ambiente umido.
- Non riporre o trasportare il dispositivo inclinandolo sul fianco.

Nota: nel caso in cui sia necessario rivolgersi ad un centro assistenza IVT per eventuali riparazioni, assicurarsi che il volume d'olio presente all'interno della macchina sia pari ad almeno 1/3 del volume massimo.

TUTELA AMBIENTALE



Riciclare le materie prime invece di smaltirle come rifiuti.

Lo strumento, gli accessori e l'imballaggio devono essere ordinati per il riciclaggio ecocompatibile.

I componenti in plastica sono classificati per il riciclaggio categorizzato. Queste istruzioni sono stampate su carta riciclata.

IT

RISOLUZIONE DEI PROBLEMI



ATTENZIONE! Spegnerne il dispositivo e togliere la spina dalla corrente prima di esaminare il guasto.

Problema	Causa	Soluzione
<p>Il motore elettrico (4) non funziona</p>	<ul style="list-style-type: none"> · Fonte di alimentazione e/o cablaggio scorretti. Guasto nella linea elettrica o tensione scorretta. Cavi sottodimensionati o circuiti troppo lunghi. · Guasto nel pressostato (10) o nell'interruttore di accensione/spegnimento (11). · È scattata la protezione termica, il motore elettrico (4) potrebbe essersi surriscaldato (ad esempio a causa delle aperture di ventilazione (15) ostruite). · Guasto nel motore elettrico (4). 	<ul style="list-style-type: none"> · Controllare la linea elettrica e verificare che la tensione di alimentazione sia corretta. Controllare i cavi, la spina, la presa. Accertarsi che il dispositivo sia connesso alla fonte di alimentazione sia connessa. · Controllare e riparare o sostituire. · Attendere che il motore elettrico (4) si sia sufficientemente raffreddato. Liberare le aperture di ventilazione (15), se necessario. · Portare la macchina presso un centro di assistenza autorizzato IVT per la riparazione.
<p>Presenza di rumori anormali e/o vibrazioni eccessive</p>	<ul style="list-style-type: none"> · Il compressore non è stato installato in posizione orizzontale. · Connessioni o valvole del compressore allentate o rotte. · (AC-70PB; AC-100PB) Cinghia (19) allentata. · Eccessiva pressione in uscita. · Tipo di olio utilizzato non adatto. · La valvola di non ritorno (31) vibra quando la pressione è bassa. · Vi sono depositi di carbonio su pistoni e valvole. · Cuscinetti, pistoni o biella danneggiati. 	<ul style="list-style-type: none"> · Posizionare il dispositivo su una superficie piana. · Controllare, serrare le giunzioni allentate, sostituire le parti usurate. · Verificare la tensione della cinghia (19), regolarla se necessario. · Ridurre la pressione. · Drenare completamente e sostituire con olio adeguato. · Rimuovere e pulire la valvola di non ritorno (31). · Pulire. · Spegnerne il compressore! Rivolgersi ad un Centro Assistenza autorizzato.



Problema	Causa	Soluzione
Il compressore funziona, ma non genera abbastanza pressione	<ul style="list-style-type: none"> · Vi è una perdita nella valvola di scarico condensa (22). · Vi è una perdita nella valvola di non ritorno (31). · (AC-70PB; AC-100PB) La cinghia (19) è allentata. 	<ul style="list-style-type: none"> · Controllare la condizione della valvola di scarico condensa (22), serrarla adeguatamente o sostituirla se necessario. · Rivolgersi ad un Centro Assistenza IVT autorizzato per la riparazione. · Mettere in tensione la cinghia (19).
Gli accessori pneumatici non ricevono abbastanza pressione	<ul style="list-style-type: none"> · Riduttore di pressione (24) non aperto abbastanza. · Le connessioni fra il compressore e gli accessori pneumatici hanno perdite. · Uscita aria compressa (8) chiusa. 	<ul style="list-style-type: none"> · Aumentare la pressione in uscita agendo sul riduttore di pressione (24). · Controllare e sostituire eventuali parti danneggiate. · Assicurarsi che il rubinetto dell'uscita (se presente) sia aperto. Controllare che il riduttore di pressione (24) (ove presente) non sia impostato sul valore di pressione 0.
Eccessivo consumo di olio	<ul style="list-style-type: none"> · Filtro dell'aria (18) occluso. · Tipo di olio utilizzato non adatto. · Livello olio eccessivo. · Perdite d'olio. · Fasce elastiche usurate o pistone danneggiato. 	<ul style="list-style-type: none"> · Pulire il filtro dell'aria (18) o sostituire l'elemento filtrante (27) se necessario. · Drenare completamente e sostituire con olio adeguato. · Riempire il serbatoio con il giusto volume d'olio. · Controllare e riparare. · Contattare un Centro Assistenza IVT autorizzato per la loro riparazione o sostituzione.

Qualora non si riuscisse a risolvere il problema seguendo le indicazioni riportate qua sopra, rivolgersi ad un Centro Servizi IVT autorizzato.



ATTENZIONE! NON TENTARE DI RIPARARE IL PRODOTTO DA SOLI E NON MANOMETTERLO! Qualsiasi operazione di riparazione o di manutenzione straordinaria deve essere eseguita esclusivamente da un Centro di Assistenza IVT qualificato ed autorizzato. Non modificare nessuna componente interna del prodotto! **QUESTO COMPORTAMENTO INVALIDERÀ COMPLETAMENTE LA GARANZIA E POTREBBE CAUSARE INFORTUNI E SERI DANNI MATERIALI.**

CARACTÉRISTIQUES TECHNIQUES DE L'APPAREIL

Modèle	AC-24PB	AC-50PB	AC-50PB2C	AC-70PB	AC-100PB
Tension ~ Fréquence [V ~ Hz]	230 ~ 50	230 ~ 50	230 ~ 50	230 ~ 50	400 ~ 50
Puissance nominale [W]	1800	1800	2200	2200	4000
Puissance du moteur [HP]	2.5	2.5	3	3	5.5
Fréquence de rotation vide [RPM]	2800	2800	2800	1020	850
Débit d'air [l/min]	206	206	350	311	648
Pression effective [bar]	8	8	10	10	12.5
Capacité du ballon d'air [L]	24	50	50	70	100
Pression sonore [dB(A)]	92 (K=3)	92 (K=3)	95 (K=3)	93 (K=3)	96 (K=3)
Puissance sonore [dB(A)]	92 (K=3)	92 (K=3)	95 (K=3)	93 (K=3)	96 (K=3)
Niveau de vibration [m/s ²]	71 (K=1.5)	71 (K=1.5)	71 (K=1.5)	300 (K=1.5)	300 (K=1.5)
Poids [kg]	22	30	42	75	95
Classe de protection	B	B	B	B	B

FR

LISTE DÉTAILLÉE

- Corps
- Cylindre de prise d'air
- Tubulure de connexion de la tuyauterie à pression réglable
- Moteur électrique
- Manche du réducteur de pression
- Manomètre de la tuyauterie à pression réglable
- Manche à porter
- Manchon d'accouplement
- Manomètre du manchon d'accouplement
- Relais automatique de pression
- Interrupteur
- Clapet de sûreté
- Ajutage sous pression
- Bouchon du réservoir d'huile (avec souffleur)
- Bouches de ventilation
- Pompe de compression
- Fenêtre d'observation
- Filtre d'air
- Courroie
- Couvercle de la courroie
- Pieds en caoutchouc
- Vanne tiroir
- Roue
- Réducteur de pression
- Démarrateur magnétique
- Couvercle
- Élément de filtrage
- Bouchon d'entrée électrique
- Bouchon du clapet de non-retour
- Ressort du clapet de non-retour
- Clapet de non-retour
- Bouchon de déshuilage

CONTENU DE LA BOÎTE

(AC-24PB; AC-50PB; AC-50PB2C)

Manuel d'instruction (1 pièce), roues (1 jeu), réservoir d'huile (1 pièce), pieds en caoutchouc (1 jeu), filtre d'air (1 pièce), bouchon du réservoir d'huile (avec souffleur) (1 pièce).

(AC-70PB; AC-100PB)

Manuel d'instruction (1 pièce), roues (1 jeu), réservoir d'huile (1 pièce).

DESTINATION

Le compresseur est destiné à la compression de l'air nécessaire pour le fonctionnement des outils pneumatiques, et à la transmission de l'air comprimé aux installations et aux outils différents.

Il permet également de soutenir la même pression dans la tuyauterie.

RÈGLES DE SÉCURITÉ LORS DE L'UTILISATION

Règles générales de sécurité

Les règles de sécurité suivantes permettront d'exploiter l'appareil d'une manière adéquate et assurer votre propre sécurité. Veuillez lire attentivement ces informations.

Si vous prêtez cet appareil à une tierce personne, veuillez lui transmettre ces instructions.

Ce manuel d'utilisation et toute autre documentation joints à cet appareil doivent être conservés en cas de nécessité.

Suivez les recommandations indiquées sur les étiquettes de l'appareil.



Avant d'utiliser l'appareil, lisez attentivement les principes de contrôle de celui-ci et assurez-vous qu'il sera utilisé comme prévu et que vous pourrez le débrancher, le cas échéant.

En outre, le respect de ces règles simples vous permettra de garder l'appareil en bon état.

- Avant de l'utiliser, assurez-vous que l'appareil est correctement assemblé.
- Utilisez l'appareil uniquement pour son usage prévu.
- Vous trouverez sur l'appareil des précautions à prendre ou des symboles indiquant les mesures de précaution. Des accidents peuvent être évités grâce au bon sens, à l'attention et la préparation nécessaire de ceux qui effectuent l'exploitation, transport, maintenance, service technique et stockage de l'appareil.
- Ne laissez pas l'appareil sans surveillance.
- Conserver hors de la portée des enfants. Assurez-vous que les enfants ne joueront pas avec.
- L'appareil doit être inaccessible aux enfants et animaux domestiques. Assurez-vous que tout le monde se trouve à une distance de sécurité lorsque l'appareil est branché.
- N'oubliez pas que lorsque l'instrument est en marche, son utilisateur est responsable de la sécurité des autres.
- L'utilisation de cet appareil est interdite aux personnes n'ayant pas lu ces instructions ; les enfants, les personnes qui n'ont pas atteint l'âge de travailler avec ce type d'appareil ; les personnes sous l'emprise de l'alcool, de drogues ou de médicaments. L'âge des utilisateurs peut être limité par la législation locale.



ATTENTION! La consommation d'alcool, de drogues ou de médicaments, la fièvre ou la fatigue peuvent nuire à votre capacité à réagir. Ne pas utiliser l'appareil dans les états mentionnés ci-dessus.

- Assurez-vous que tous les dispositifs de protection (le cas échéants) sont installés et en bon état.
- Il est interdit d'utiliser l'appareil comportant des défauts ou sans dispositif de protection ou coffres (si prévus).
- Assurez-vous que l'appareil ne comporte pas d'éléments endommagés ou non alignés (par exemple, vis, écrou, boulon, etc.). Vérifiez régulièrement que tous les vis et écrous soient bien serrés – ce qui garantit la sécurité nécessaire du travail avec l'appareil. Si nécessaire, remplacez ces pièces avant de commencer à travailler. Les défauts de l'appareil peuvent causer des blessures graves à l'utilisateur, ainsi qu'aux autres personnes.
- Portez des vêtements appropriés lorsque vous travaillez avec l'appareil. Ne mettez pas de vêtements

trop amples ni de bijoux pouvant s'accrocher aux parties mobiles de l'appareil. Portez des vêtements adéquats pour le travail. Les vêtements et les chaussures doivent entièrement recouvrir les jambes pour les protéger contre d'éventuels fragments tombés. Ne travaillez pas les pieds nus ou en sandales ouvertes. Il est conseillé d'attacher les cheveux longs.

- Les manches et les manchons de l'appareil doivent être propres, secs et sans huile.
- Utilisez les moyens nécessaires de sécurité personnelle. Portez des gants et des lunettes de protection. Si vous travaillez avec les matériaux pulvérulents ou en cas d'apparition de gaz d'échappement, mettez le respirateur. Si nécessaire, utilisez des chaussures à semelle antidérapante, un casque et des oreillettes. Si le niveau sonore dépasse 85 dB(A), il est indispensable d'utiliser des moyens de protection auditifs.



ATTENTION! Utilisez les moyens de protection individuelle ! Les dispositifs de protection individuelle préservent votre santé et celle d'autrui, et assurent l'exploitation de l'appareil sans panne.

- N'embrayez pas l'appareil s'il n'est pas sur la bonne position ou pas encore en état d'être utilisé.
- Choisissez une position stable. Surveillez la position des jambes et l'équilibre lors du travail.
- Assurez-vous que l'emplacement de travail est propre. Le désordre et la saleté peuvent causer des dommages. Enlevez tous les objets inutiles de la zone de travail et veillez à ce qu'ils ne s'y trouvent pas lors de l'exploitation de l'appareil.
- Évitez les surcharges de l'appareil.
- Effectuez les travaux uniquement à la lumière du jour ou avec suffisamment d'éclairage artificiel. Il est interdit d'utiliser l'appareil dans des endroits obscurs.
- Soyez vigilant – évitez la chute et les chocs de l'appareil.

ATTENTION! Restez vigilant. Prenez garde à ce que vous faites. Vous risquez de perdre le contrôle si vous êtes inattentif. Faites preuve de bon sens.

Règles de sécurité électrique

AVERTISSEMENT! Si vous respectez les règles de sécurité lorsque vous travaillez avec des appareils électriques, vous éviterez tout choc électrique, accident et incendie. Lisez attentivement ces règles avant de commencer à travailler avec l'appareil et respectez-les soigneusement.

· Pour une meilleure sécurité électrique, il est recommandé d'utiliser le disjoncteur à sensibilité différentielle inférieure à 30 mA. Vérifiez le disjoncteur à chaque utilisation. Consulter un électricien digne de confiance.



AVERTISSEMENT! L'utilisation du disjoncteur ou de tout autre dispositif de déclenchement automatique ne dispense pas l'utilisateur de respecter les règles de sécurité et de pratique du travail présentées dans ce manuel d'utilisation.

· La tension du secteur doit correspondre à celle indiquée sur l'étiquette et dans ce manuel d'utilisation. N'utilisez pas d'autres sources d'alimentation.

· Avant de connecter l'appareil à la prise secteur, vérifiez si elle est en bon état et si ses paramètres correspondent à ceux indiqués dans le tableau de l'appareil.

· Lors du fonctionnement de l'appareil, évitez tout contact avec des objets mis à la terre tels que les câbles, radiateurs, cuisinières et réfrigérateurs. Le risque de choc électrique est accru lorsque le corps est mis à la terre.



ATTENTION! Le contact avec des éléments sous tension électrique peut causer un choc électrique, des brûlures voire entraîner la mort.

· Ne débranchez jamais l'appareil en tirant sur le cordon.

· N'abîmez pas le cordon. Conservez le cordon à l'abri de la chaleur, de l'huile, d'objets tranchants et de pièces en mouvement.

· Veillez toujours au bon état du cordon de raccordement.

· N'utilisez pas l'appareil électrique près de liquides inflammables et de gaz.

· Débranchez l'appareil du réseau électrique avant de le transporter dans un autre endroit.



ATTENTION! Débranchez l'appareil du réseau électrique avant de déconnecter la cheville de contact ou la rallonge.

· Ne portez pas l'appareil électrique au-dessus de la rallonge. Soyez vigilant et veillez toujours à savoir où se trouve le cordon.

· Ne raccordez pas vous-même la rallonge à l'appareil. Ramenez-le au Centre de service technique

agrée le plus proche.

· A des fins de sécurité, le cordon endommagé doit être remplacé uniquement par le fabricant, son représentant ou une personne qualifiée.

· En cas de dommage ou de cordon sectionné, débranchez tout de suite l'appareil du réseau électrique.



AVERTISSEMENT! RISQUE DE CHOC ELECTRIQUE!

Prenez en considération les conditions de travail. Il est interdit d'embrayer l'appareil sous la pluie. Ne pas l'utilisez dans des conditions défavorables (humidité, eau). Le lieu de travail doit être propre et bien éclairée. N'exposez pas l'appareil à l'humidité. Ne pas le laissez dehors pendant la nuit. La pénétration d'eau dans cet appareil électrique augmente le risque de choc électrique.

· Vérifiez régulièrement que le cordon électrique soit en bon état. Avant de commencer à travailler, vérifiez s'il n'est pas endommagé ou ne présente pas de traces d'usure. Si l'état de la rallonge n'est pas satisfaisant, ne branchez pas l'appareil. Ramenez-le au Centre de service après-vente.

· Pour les travaux à l'extérieur, utilisez la rallonge spécialement conçue à cet effet, comme indiqué sur l'étiquette – pour les travaux à l'extérieur. Lors du fonctionnement de l'appareil, le cordon doit se trouver en dehors de la zone de travail, derrière l'utilisateur. Conservez le cordon à l'abri des surfaces chaudes, huileuses, humides ou des matériaux inflammables.

· Pour éviter tout démarrage accidentel : avant de brancher l'appareil, assurez-vous que son interrupteur (le cas échéant) se trouve en position 'arrêt/off'.

· Retirez les clés de réglage avant de mettre l'appareil en marche.

· N'utilisez pas l'appareil si son interrupteur est en panne (il ne peut embrayer ou débrayer). Tout appareil ayant un interrupteur hors service est dangereux et doit être immédiatement réparé.



AVERTISSEMENT! L'utilisation d'appareils électriques peut provoquer l'apparition de poussière cancérigène.

Voici certaines sources: plomb de peinture en contenant, silice cristalline de brique, de ciment et d'autres matériaux de maçonnerie, arsenic et chrome de bois traité par des produits chimiques. Si de la poussière apparaît lors du travail, le degré de son influence néfaste dépend de la fréquence des travaux effectués.



Afin de diminuer l'influence de ces éléments chimiques sur l'organisme, il est important d'effectuer des travaux avec des matériaux produisant de la poussière dans des espaces bien aérés et avec des moyens de protection nécessaires tels que des respirateurs spéciaux pour le travail en présence de microparticules.

- En cas de choc extérieur à l'appareil, avant de redémarrer et continuer le travail, vérifiez bien qu'il ne soit pas endommagé et effectuez les réparations nécessaires, le cas échéant.
- Si l'appareil commence à trop vibrer, arrêtez-le immédiatement et trouvez-en la cause. La vibration annonce très souvent une future défaillance.
- Eteignez l'appareil et attendez l'arrêt total vous devez vous en éloigner, avant d'effectuer des réparations, remplacer des accessoires, toute vérification, nettoyage, résolution de problèmes ou manipulation sur l'appareil.
- Il est interdit de remplacer ou changer toute pièce interne de l'appareil.

Règles particulières de sécurité

- Le compresseur est destiné à la compression de l'air et ne doit pas être utilisé à d'autres fins.
- L'utilisation pas selon la destination, la modification, l'utilisation des détails par prévus par le producteur de l'outil ainsi que l'utilisation des accessoires incompatibles peuvent causer la panne prématurée du compresseur!
- Il est interdit d'utiliser le compresseur à des fins médicales ou alimentaires, ou pour remplir de l'oxygène les ballons des appareils respiratoires.
- Il est interdit d'utiliser le compresseur pour remplir les ballons des appareils respiratoires sous-marins autonomes.



ATTENTION! La compression des gaz explosifs, combustibles ou nuisibles pour la santé est interdite.

- Avant d'utiliser le compresseur à des buts différents (compression d'air, transmission d'air dans les appareils fonctionnant avec de l'air comprimé, peinture, lavage etc), il est nécessaire de prendre connaissance des règles de sécurité pour chaque cas particulier.
- Assurez-vous que tous les outils et les appareils pneumatiques supportent la pression effective ou que la transmission de l'air se fait par le régulateur de pression.
- Le compresseur est prévu pour le fonctionnement continu en régime autonome. Vérifiez bien que le compresseur est situé loin des éléments combustibles et qu'il n'y a pas de facteurs extérieurs empêchant le refroidissement normal du compresseur.



ATTENTION! Il est interdit d'utiliser le compresseur dans les zones dangereuses.

- N'utilisez pas le compresseur sur les terrains poussiéreux et dans les zones des gaz combustibles et des vapeurs provoquant la corrosion.
- Il est interdit de mettre le compresseur sous la pluie ou sous la neige, ainsi que de travailler dans les conditions de grande humidité.
- Ne touchez pas au compresseur avec les mains mouillées.



ATTENTION! N'envoyez pas le jet d'air comprimé à vous-même, aux autres personnes ou aux animaux. Ne envoyez pas le jet d'air comprimé (ou des substances à disperser) au compresseur.

- Vérifiez régulièrement tous les joints boulonnés.
- Ne réparez pas l'outil vous-même! Le service et la réparation des compresseurs, des réservoirs à pression et des outils pneumatiques doivent être assurés par les spécialistes qualifiés.



ATTENTION! Risque de brûlures à cause des surfaces des détails transmettant l'air comprimé! Ne touchez pas aux détails ni aux surfaces chauds. Refroidissez l'outil avant le service.



ATTENTION! N'aspirez jamais l'air du compresseur, directement ou par un dispositif de respiration connecté au compresseur. Réalisez les travaux dans les locaux avec bonne ventilation transversale.

- Utilisez les dispositifs de sécurité! Mettez les oreillettes de protection. Mettez les lunettes de protection. Utilisez le masque respiratoire au cas où le travail effectué provoque l'apparition de la poussière.
- Faites attention: le compresseur s'embraye automatiquement si la pression diminue jusqu'au minimum! – débranchez l'outil de l'alimentation électrique avant son service. Ne lancez l'outil que s'il est branché à l'alimentation. Débrayez l'outil avant de le débrancher de la source d'alimentation.
- Ne dévissez pas les pièces d'accouplement si le

cylindre de prise d'air se trouve sous la pression.

- Ne laissez pas l'air comprimé dans le cylindre. Il est interdit de faire passer ou de garder le compresseur si l'air n'est pas évacué de son cylindre.

- Le travail terminé, attendez que le compresseur se refroidisse. Ce n'est qu'après cela qu'on peut le couvrir ou le mettre dans le coffret de protection.

- **ATTENTION!** Le compresseur doit être placé le plus près possible à la source de l'alimentation électrique. N'utilisez **JAMAIS** des prolongateurs pour connecter cet article. Au lieu d'un prolongateur, il faut utiliser un tuyau flexible supplémentaire pour l'air comprimé, cela permet d'éviter des pertes de l'alimentation électrique et des endommagements sérieux du moteur.

- **ATTENTION!** Le dispositif présent doit être mis à la terre! Mise à la terre électrique: l'absence de la mise à la terre adéquate de l'article présent peut causer des traumatismes sérieux ou décès en cas d'électrocution.

Contrôle du niveau d'huile



ATTENTION! AVANT DE BRANCHER LE DISPOSITIF POUR LA PREMIÈRE FOIS, il faut monter le bouchon avec souffleur. Extrayez l'obturateur de transport en plastique (qui sert seulement pour protection lors de transport) de l'orifice pour remplir de l'huile et remplacez-le par le bouchon du réservoir d'huile (avec souffleur) (14).

Il est nécessaire de contrôler le niveau d'huile dans le réservoir avant et pendant l'usage à l'aide de la fenêtre d'observation (17).

Si le niveau d'huile est bas, faites le compresseur plein.

1. Mettez le compresseur sur la surface plate et propre.
2. Essuyez le bouchon du réservoir d'huile (14) avec un tissu et enlevez-le.
3. Remplissez le réservoir avec de l'huile (sans dépasser les indicateurs du niveau maximum).
4. Mettez le bouchon (14). **[F2]**

Utilisez l'huile de graissage pure.

N'utilisez que les huiles à moteur de classe recommandée: SAE30 pour l'usage du compresseur à la température de plus de 10°C, SAE10 – à la température de moins de 10°C.



ATTENTION! Il est interdit d'utiliser le compresseur si l'huile manque ou est insuffisante, car cela peut causer une panne et annuler le droit au service de garantie.



AVERTISSEMENT! Si vous avez besoin de faire le plein lors du travail, il est nécessaire tout d'abord d'arrêter le compresseur et le débrancher de l'alimentation.

Contrôle du tirage de la courroie (19) (AC-70PB; AC-100PB)

Vérifiez le tirage de la courroie (19). La courroie (19) bien tirée fléchit à 10-15 mm si on presse au centre de la courroie (19) avec les doigts. Le tirage excessif de la courroie (19) peut provoquer la surcharge du moteur électrique (4). En ce cas-là le moteur (4) se surchauffe. La courroie (19) mal tirée glisse ce qui provoque l'usure excessive et les vibrations.

DÉBALLAGE

Lors du déballage, vérifiez bien si toutes les pièces et les dispositifs sont inclus. Regardez les dessins techniques présentés dans ce manuel d'utilisation. En cas de dommage ou absence de pièces quelconques, nous vous prions de vous adresser au centre de service après-vente IVT.

INSTRUCTIONS D'ASSEMBLAGE

Ne faites pas trop d'efforts lors des opérations suivantes pour bloquer la visserie. Sinon les raccords filetés peuvent être endommagés.

Important! Vous devez assembler complètement le dispositif avant de l'employer pour la première fois.

Pose des roues (23) et des pieds en caoutchouc (21) [F1]

Si les roues (23) n'étaient pas posées en article, déballez et posez les roues (23) et les pieds en caoutchouc (s'ils sont disponibles) de la manière correspondante.

Pose du filtre d'air (18)

Si le filtre d'air (18) n'était pas posé, posez-le.

- D'abord, enlevez, au moyen de tournevis ou outillage pareil, la butée de transport, et ensuite vissez soigneusement le filtre à air (18) sur la tête du cylindre.

COMMENCEMENT DU TRAVAIL

Assurez-vous que la tension correspond aux conditions c'est à dire aux paramètres indiqués dans le tableau des données de la plaque d'identification de l'appareil.



EMBRAYAGE / DÉBRAYAGE

Embrayage

(AC-24PB; AC-50PB; AC-50PB2C; AC-70PB)

- Branchez le compresseur à la source d'alimentation.
- Mettez l'interrupteur (11) en haut.

(AC-100PB)

Le modèle présent fonctionne avec la tension de 400 V.

- Branchez le câble électrique au démarreur magnétique (25) par l'entrée électrique après en avoir enlevé le bouchon (28) (si existe).
- Mettez le bouton de démarrage du démarreur magnétique (25) en position BRANCHER (ON). Le démarreur magnétique assure le démarrage sécuritaire de l'électromoteur sous charge élevée. Egalement, il assure la protection contre surcharges et la déconnexion automatique en cas des coupures de l'alimentation électrique.
- Mettez l'interrupteur (11) (si existe) à la position "On" (embrayé).

Mettez le compresseur en marche à vide pour 10 minutes pour assurer la lubrification des pièces mouvantes.

Débrayage

(AC-24PB; AC-50PB; AC-50PB2C; AC-70PB)

- Mettez l'interrupteur (11) en bas.
- Enlevez le socle de la prise de courant.

(AC-100PB)

- Mettez l'interrupteur (11) (si existe) à la position "Off" (débrayé).
- Mettez le bouton de démarrage du démarreur magnétique (25) en position DÉBRANCHER (OFF).
- Débranchez le compresseur de la source d'alimentation.



ATTENTION! Ne déconnectez jamais le cordon d'alimentation pour arrêter le dispositif! Pour l'arrêter, mettez l'interrupteur à deux positions (11) en position DÉBRANCHER (OFF)!

INSTRUCTION D'UTILISATION

- Mettez le compresseur sur la surface plate, solide et sèche pour assurer la lubrification nécessaire des pièces.
- Gardez le compresseur loin de l'eau.
- La place du travail doit être bien aérée.
- En cas de la transportation du compresseur, débrayez-le, puis débranchez-le de la source

d'alimentation et faites baisser la pression dans le cylindre (2), cela fait, le compresseur peut être déplacé.

- Si vous n'utilisez pas le compresseur, débrayez-le, enlevez le socle de la prise de courant et faites sortir l'air du cylindre (2) et des outils connectés.

Relais automatique de pression (10)

Le relais automatique de pression (10) permet de maintenir la pression constante dans le cylindre (2), débraye ou embraye le moteur électrique (4) du compresseur en fonction de la consommation de l'air comprimé par les outils connectés.

Après l'embrayage le compresseur commence à injecter l'air dans le cylindre (2) par un ajutage spécial (13).

La pression maximale acquise (ce paramètre est fixé à l'usine lors de l'usage d'essai du compresseur) provoque le fonctionnement du relais de pression (10) ce qui arrête le moteur (4).

La quantité excessive de l'air dans l'ajutage (13) ou la pompe de compression (16) sort par le clapet de non-retour (31), ce qui aide à éviter la pression excessive dans l'ajutage (13) ou la pompe de compression (16). Le clapet de non-retour (31) prévient la circulation de retour de l'air du cylindre (2) à la partie supérieure du compresseur. Cela diminue le chargement du moteur électrique (4) lors de l'embrayage suivant du compresseur.

Quand la pression devient minimale, le moteur électrique (4) se met en marche et le compresseur injecte l'air dans le cylindre (2) jusqu'à ce que la pression devienne maximale. Au cas où le relais automatique de pression (10) ne fonctionne pas, la pression excessive sort par le clapet de sûreté (12). Pour assurer la réparation adressez-vous au centre de service officiel IVT.

Protection thermique (si existe)

Le compresseur est équipé de la protection thermique arrêtant le moteur électrique (4) au cas de surcharge (par exemple, au cas d'engorgement du filtre d'air (18)) ou de surchauffe. Cette fonction protège le moteur électrique (4) de la surcharge.

Si la protection thermique est mise en fonction, il faut débrayer le compresseur et en lever la cause. Attendez que le compresseur ne se refroidisse et continuez le travail.

Réglage de pression

Réducteur de pression (24)

Le réducteur de pression (24) permet de régler la pression d'air à la sortie de la tubulure de connexion (3) de la tuyauterie à pression réglable en fonction du niveau de consommation.

Fixez la pression nécessaire, la valeur de pression est indiquée sur le manomètre (6):

- pour baisser la pression: tourner la manche du réducteur de pression (5) contre le sens de l'aiguille des heures.
- pour monter la pression: tournez la manche du réducteur de pression (5) au sens de l'aiguille des heures.

[F3]

REMARQUE: la construction du compresseur permet de régler la pression de l'air comprimé seulement à la sortie de la tubulure de connexion (3) de la tuyauterie à pression réglable. La pression à la sortie du manchon d'accouplement (8) est égale à celle du cylindre (2), la valeur étant indiquée sur le manomètre (9).

MAINTENANCE ET STOCKAGE



ATTENTION! Avant de commencer toute manipulation avec l'appareil, débranchez-le.

- Assurez-vous que l'appareil et les ouvertures de ventilation soient propres. Le nettoyage et le service technique réguliers assureront un rendement important et augmenteront la durée de vie de votre appareil.
- Si un appareil de bonne qualité, rigoureusement testé à l'usine tombe malgré cela en panne, la réparation ne doit être confiée qu'au service clientèle IVT.
- Les vis, écrous et boulons doivent être bien serrés – ceci garantit la sécurité et le bon fonctionnement de l'appareil.
- Pour votre sécurité, remplacez les pièces usées ou endommagées.
- Utilisez uniquement les pièces d'origine du fabricant. Sinon leur assemblage sera difficile ce qui pourra causer des dommages.
- Conservez l'appareil dans un endroit sec et inaccessible aux enfants, loin des matériaux inflammables.
- Il est interdit de mouiller l'appareil et d'y verser de l'eau !



ATTENTION! Avant de commencer toute procédure, il faut débrayer le compresseur, débrancher le câble d'alimentation et faire baisser la pression du cylindre (2) (tirez l'anneau du clapet de sûreté (12)).

Nettoyage du compresseur

Après l'utilisation il faut nettoyer la surface du

compresseur à l'aide d'une brosse douce ou de tissu.

N'utilisez pas les substances caustiques ni les agents dissolvants pour le nettoyage du compresseur.

Vidange

Vérifiez régulièrement l'huile (tous les 6 mois). Le vidange est vraiment important après les 30 premières heures de travail.

[F4]

1. Mettez le compresseur sur la surface stable.
2. Placez le container pour l'huile usée sous l'orifice de vidange.
3. Enlevez le bouchon de déshuilage (32) et attendez à ce que toute l'huile usée s'écoule de l'orifice de vidange.
4. Vissez le bouchon (32) et remplissez le réservoir de l'huile fraîche.



ATTENTION! Rejetez l'huile usée de la façon écologique, envoyez-la à la station de reprise correspondante!

Service du filtre d'air (18)

Vérifiez régulièrement l'élément de filtrage (27) du filtre d'air (18) (son engorgement dépend des conditions d'environnement). Nettoyez (ou changez) le filtre d'air en cas de nécessité mais au moins toutes les 100 heures de travail. Le filtre d'air bouché diminue le rendement du compresseur et augmente son usure.



ATTENTION! Ne forcez pas l'élément de filtrage (27) pour ne pas l'endommager.

1. Placez le compresseur sur la surface solide.
2. Dévissez le boulon de fixation (s'il est disponible).
3. Enlevez le couvercle (26).
4. Enlevez l'élément de filtrage (27).
5. Nettoyez l'élément de filtrage (27) à l'aide d'alcool ou de solvant.
6. Pressez l'élément de filtrage.
7. Installez l'élément de filtrage (27) dans le couvercle (26).
8. Remettez le couvercle (26) à sa place et fixez les déclics plastiques. Ou serrez le boulon de fixation (s'il est disponible).

[F5]

Enlèvement du condensat

Il est important d'enlever le condensat du cylindre (2) périodiquement et après le travail (au cas où la durée de travail dépasse une heure). Cela peut aider à éviter la



corrosion des surfaces intérieures du cylindre (2).

1. Placez le compresseur sur la surface solide.
2. Mettez le container à enlever le condensat sous la vanne tiroir (22).
3. Dévissez et enlevez la vanne tiroir (22), attendez que tout le condensat s'écoule (l'absence des gouttes d'eau sur la vanne tiroir (22)).
4. Vissez la vanne tiroir (22).

[F6]

Examen régulier des autres éléments

- Examinez régulièrement le cylindre (2) pour exclure tout dégât ou signe de corrosion. Il est interdit de faire de soi-même les réparations du cylindre (2) (mécaniques ou par soudure). Le cylindre endommagé (2) doit être remplacé dans le centre de service officiel IVT.
- Vérifiez régulièrement l'état du clapet de sûreté (12) et du manomètre (9).
- Nettoyez régulièrement la pompe de compression (16).

Examen du clapet de non-retour (31)

Si lors de la mise en marche du compresseur, la pression dans le cylindre (2) baisse et la transportation de l'air comprimé s'arrête, vérifiez bien l'état du clapet de non-retour (31).

1. Enlevez le bouchon (29), retirez le ressort (30) et le clapet de non-retour (31).
2. Nettoyez (ou changez si nécessaire) le clapet (31). Nettoyez également la corbeille du clapet.
3. Remettez le clapet (31) et le ressort (30) à leur place et mettez le bouchon (29).

[F7]

Transportation

Utilisez la manche (7) spéciale pour transporter le compresseur.

Il est interdit de transporter le compresseur de toute autre façon.

Conservation à long terme

Pour la conservation à long terme il faut faire écouler toute l'huile du réservoir du compresseur.

- Ne gardez pas le compresseur dehors ou dans les conditions humides.
- Ne mettez pas le compresseur sur le côté lors de la transportation ou la conservation.

Remarque: Si vous vous adressez au centre de service IVT, assurez-vous que le réservoir d'huile est rempli de 1/3.

PROTECTION DE L'ENVIRONNEMENT



Le recyclage des matières premières pour une réutilisation est mieux que de les jeter.

L'appareil, les dispositifs et l'emballage sont triés pour être recyclés tout en protégeant la nature.

Les éléments en plastique sont classés pour le recyclage. Ce manuel est imprimé sur du papier recyclé sans utilisation de chlore.



FR

IDENTIFICATION ET ÉLIMINATION DE PROBLÈMES



ATTENTION! Débranchez l'appareil de la prise électrique avant de rechercher une quelconque défaillance.

Dérangements standards	Cause de dérangements	Solutions
Le moteur électrique (4) ne s'embraye pas	<ul style="list-style-type: none"> · La source d'alimentation et/ ou le câblage incompatible. Défaut de la ligne d'alimentation ou l'insuffisance de tension. Le câblage de dimension plus petite que la dimension nominale ou le circuit trop long. · Le dérangement du relais automatique de pression (10) ou de l'interrupteur (11). · La protection thermique a été mise en marche par exemple, à cause du refroidissement insuffisant (par exemple, les bouches de ventilation sont fermées). · La panne du moteur électrique (4). 	<ul style="list-style-type: none"> · Vérifiez la tension de la ligne d'alimentation. Érifiez les câbles, la prise de courant, le socle et le coupe-circuit du réseau. Vérifiez que l'alimentation électrique n'est pas coupée. · Vérifiez, réparez ou changez si nécessaire. · Attendez le refroidissement du moteur électrique (4). Ouvrez les bouches de ventilation (15) si nécessaire. · Adressez-vous au centre de service officiel IVT.
Le bruit extraordinaire, une vibration excessive, le claquage	<ul style="list-style-type: none"> · Le compresseur n'est pas placé sur la surface plate et stable. · Les pièces d'accouplement ou les clapets sont endommagés ou dévissés. · (AC-70PB; AC-100PB) La courroie (19) est déréglée. · La pression excessive à la sortie. · L'huile non recommandée est utilisée. · Le clapet de non-retour (31) claque à la pression basse. · Le dépôt de calamine sur les clapet. · L'endommagement du palier, du clapet ou la tige de jonction. 	<ul style="list-style-type: none"> · Mettez le compresseur sur la surface plate et stable. · Examinez l'outil, vissez les accouplements déréglés, changez les pièces usées. · Vérifiez et réglez le tirage de la courroie (19). · Diminuez la pression effective. · Faites le vidange et versez la nouvelle huile recommandée. · Nettoyez le clapet (31). · Assurez le nettoyage. · Débranchez le compresseur! Adressez-vous au centre de service.
Le compresseur fonctionne mais la pression est insuffisante	<ul style="list-style-type: none"> · La vanne tiroir (22) du cylindre (2) coule. · Le clapet de non-retour (31) coule. · (AC-70PB; AC-100PB) La courroie de transmission (19) glisse. 	<ul style="list-style-type: none"> · Examinez la vanne (22), serrez-la à la main ou changez-la si nécessaire. · Adressez-vous au centre de service. · Tendez bien la courroie (19).



Dérangements standards	Cause de dérangements	Solutions
La pression de l'outil pneumatique est insuffisante	<ul style="list-style-type: none"> Le réducteur de pression (24) est insuffisamment ouvert. L'accouplement flexible entre le compresseur et l'outil pneumatique coule. Le manchon d'accouplement (8) est fermé. 	<ul style="list-style-type: none"> Entrouvrez le réducteur (24) plus largement. Vérifiez les tuyaux d'air, changez les pièces endommagées si nécessaire. Vérifiez si le robinet (si existe) est ouvert. Vérifiez si le réducteur de pression (24) n'est pas fixé à 0 (si possible).
Dépense excessive de l'huile	<ul style="list-style-type: none"> Le filtre d'air (18) est bouché. L'huile non recommandée est utilisée, le niveau de viscosité non conforme. Le niveau d'huile élevé. L'huile coule. Les anneaux du piston sont usés ou le cylindre est endommagé. 	<ul style="list-style-type: none"> Nettoyez le filtre d'air (18) ou changez l'élément de filtrage (27) si nécessaire. Faites le vidange et versez la nouvelle huile recommandée. Versez de l'huile jusqu'au niveau nécessaire. Examinez l'outil et faites des réparations. Adressez-vous au centre de service officiel IVT pour la réparation ou le changement de l'outil.

Si le problème ne peut pas être résolu sur la base des informations mentionnées ci-dessus, veuillez emmener l'appareil au service après-vente IVT agréé.

FR



ATTENTION! IL EST INTERDIT DE REPARER L'ARTICLE PAR SES PROPRES MOYENS ET DISSIMULER CE FAIT! Seulement le centre de service autorisé IVT a le droit d'exécuter la réparation et l'entretien élargi. Il est interdit de modifier la construction interne de l'article! CES ACTIONS PEUVENT ANNULER LES OBLIGATIONS DE GARANTIE ET CAUSER LES ENDOMMAGEMENTS ET LES BLESSURES GRAVES.



tools for every use

IVT SWISS SA

Via Cantonale, 2
CH-6917 - Barbengo
Switzerland

tel.: +41 (0) 91 6000 555
+41 (0) 91 6000 556
fax: +41 (0) 91 6000 557
e-mail: info@ivt-ht.com
web: www.ivt-ht.com

КАЗАХСТАН

ТОО "Костанай IVT"

ул. Целинная, д.4
110000 г. Костанай
тел.: +7 (7142) 280 700
+7 (7142) 280 701
+7 (7142) 280 702
e-mail: ivt_dir@mail.ru
web: www.ivt.kz

РОССИЯ

ООО "Спектр Инструмента"

ул. Танкистов, 179 Б
454085 г. Челябинск
тел. - факс: +8 (351) 247 98 65
+8 (351) 247 98 67
+8 (351) 247 97 59
+8 (351) 225 04 67
+8 (351) 225 04 68
e-mail: ivt-s@mail.ru
alfia@ivt-ht.ru
sales@ivt-ht.ru
web: www.ivt-ht.ru

КЫРГЫЗСТАН

ОсОО "ОлАн-Техно"

ул. Медерова, д. 85
720031 г. Бишкек
тел.: +9960312 46 02 91
факс: +996772 57 66 27

