



www.ivt-ht.com | tools for every use



EN	Cordless drill	6 - 11	KZ	Сымсыз бұрғылап тескіш	24 - 29
DE	Schnurlose Bohrmaschine	12 - 17	IT	Trapano a batteria	30 - 35
RU	Беспроводная дрель	18 - 23	FR	Perceuse sans fil	36 - 41



CSD Li-14.4G-RC



EN CONGRATULATION!

Dear customer,

IVT team would like to thank you for your choice and for the confidence you put in our product.

Our aim is always to offer an innovative, high-class-strong and prize-adequate product to the customer.

We wish you'll get much satisfaction from all your do-it-yourself activities, by using this tool.

Your IVT Swiss SA Team

NOTE: Illustrations, figures, photos and contents might vary slightly due to our program of continuous product improvements.

RU ПОЗДРАВЛЯЕМ!

Уважаемый Покупатель,

Коллектив компании IVT благодарит вас за оказанное доверие и выбор в пользу нашей продукции.

Мы стремимся к тому, чтобы у наших покупателей была возможность пользоваться только современными, прочными и высококачественными продуктами.

Надеемся, что с нашими инструментами вы получите истинное удовольствие от работы.

С уважением, коллектив IVT Swiss SA

ПРИМЕЧАНИЕ: Рисунки, количественные данные, фотографии и содержание инструкции могут изменяться в силу постоянного усовершенствования нашей продукции.

DE WIR GRATULIEREN!

Sehr geehrter Kunde,

das Team der Firma IVT dankt Ihnen für Ihr Vertrauen und für die Wahl unserer Produktion.

Wir streben danach, damit unsere Kunden die Möglichkeit haben, nur moderne, feste und hochwertige Produkte zu benutzen.

Wir hoffen, dass mit unseren Werkzeugen Sie ein wirkliches Vergnügen von der Arbeit bekommen.

Mit freundlichen Grüßen, Team IVT Swiss SA

ANMERKUNG: Bilder, Mengenangaben, Fotos und der Inhalt der Anleitung können sich kraft der ständigen Nacharbeit unserer Produktion verändern.

KZ ҚҰТТЫҚТАЙМЫЗ!

Құрметті сатып алушы,

IVT компаниясының ұжымы Сізге бізге сенім артқаныңыз үшін және біздің өнімімізді таңдағаныңыз үшін алғыс білдіреді.

Біз Сіздерге инновациялық, жоғарғы классты және жоғары сапалы өнімді тиімді бағамен ұсынуға үнемі ұмтылып келеміз.

Біздің құралдарыңызбен сіз өз жұмысыңыздан рахаттанасыз деп үміттенеміз.

Ізгі ниетпен, IVT Swiss SA ұжымы

ЕСКЕРТУ: Суреттер, сандық мәліметтер және нұсқаудың мазмұны біздің өніміңіздің үздіксіз жетілуіне байланысты өзгеруі мүмкін.

**IT**

CONGRATULAZIONI!

Gentile cliente,

L'azienda IVT desidera ringraziarLa per la scelta e per la fiducia dimostrata nel nostro prodotto.

Il nostro obiettivo è offrire sempre prodotti innovativi che garantiscano un adeguato rapporto qualità/prezzo.

Le auguriamo che i suoi lavori di bricolage possano diventare un piacere, utilizzando il nostro prodotto.

La squadra IVT Swiss SA

Nota: illustrazioni, figure, foto e contenuti potrebbero variare leggermente a causa del nostro programma di continuo miglioramento del prodotto.

FR

FÉLICITATIONS!

Cher client,

Le personnel de l'entreprise IVT vous remercie pour votre choix et la confiance que vous portez à nos produits. Notre objectif est d'offrir à nos clients le plus moderne des produits, le plus sûr et de meilleure qualité à un prix raisonnable.

Nous souhaiterions que votre travail manuel soit, grâce à notre appareil, un véritable plaisir.

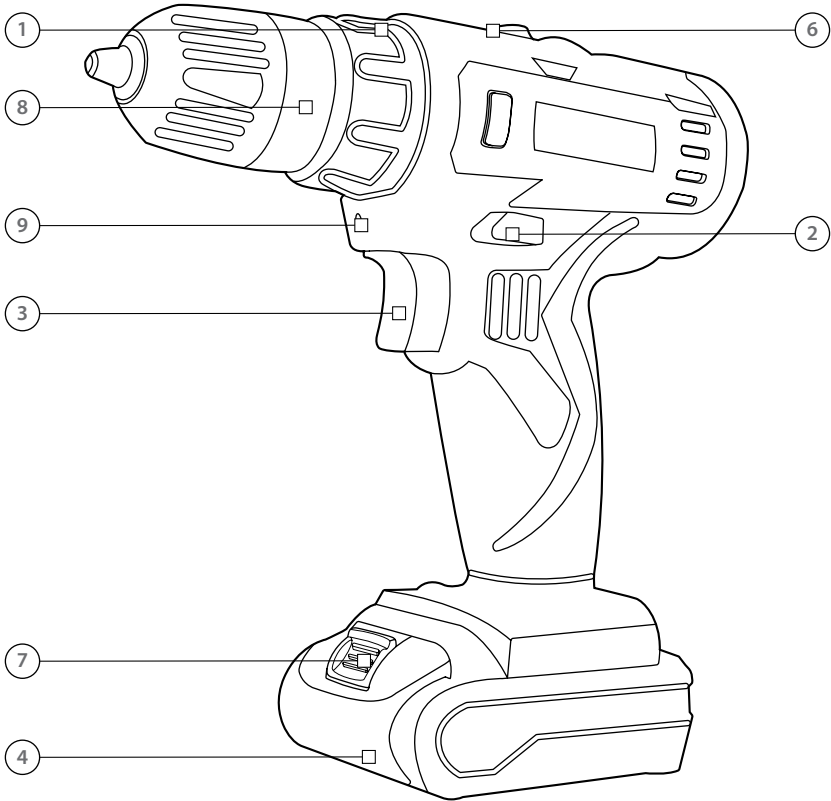
Le personnel de l'entreprise IVT Swiss SA est toujours à votre disposition.

REMARQUE: Les images, observations quantitatives, photographies et le contenu du manuel peuvent sensiblement changer du au perfectionnement permanent de notre produit.



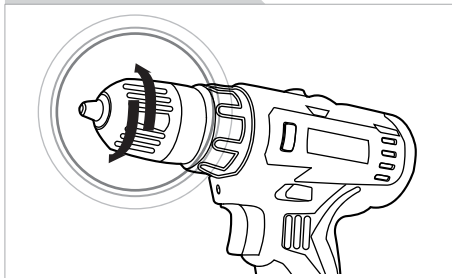


CSD Li-14.4G-RC

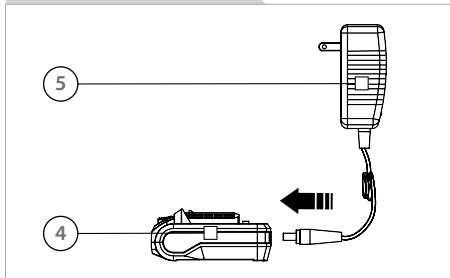




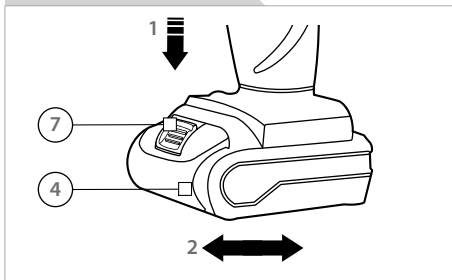
[F1]



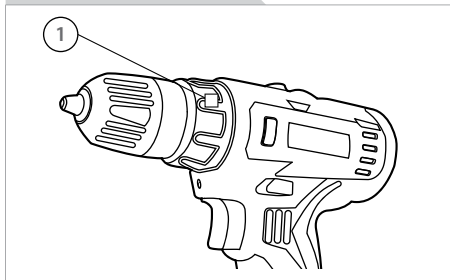
[F2]



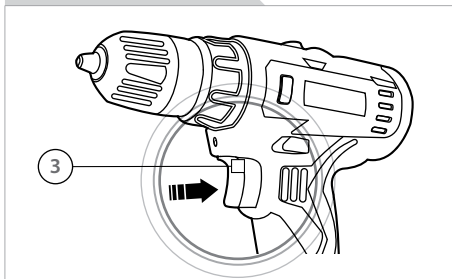
[F3]



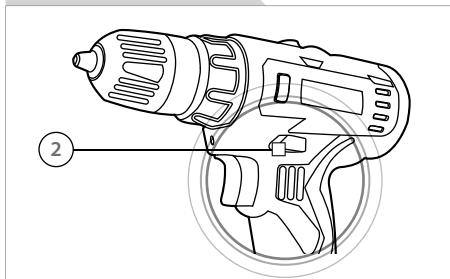
[F4]



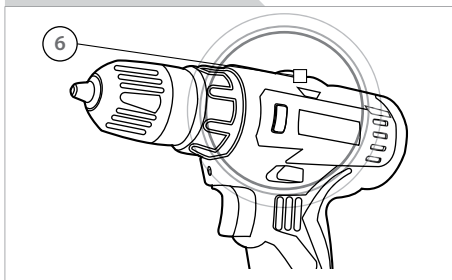
[F5]



[F6]



[F7]



TOOL SPECIFICATIONS

Model	CSD Li-14.4G-RC
Battery pack voltage [V - Ah]	14.4 - 1.3
Type of battery	Li-ion
Charging time [h]	3 - 4
No load speed [RPM]	0-400 / 0-1450
Max torque [Nm]	27
Torque settings	18+1
Chuck capacity [mm]	10
Drilling capacity (in steel) [mm]	10
Drilling capacity (in wood) [mm]	25
Drilling capacity (in metal) [mm]	10
Vibration level [m/s ²]	2.5 (K=1.5)
Sound pressure level [dB(A)]	77 (K=3)
Sound power level [dB(A)]	88 (K=3)
Weight [Kg]	0.925
Weight (+ battery pack) [Kg]	1.215
Safety class (battery charger)	II

PART LIST

1. Torque control
2. Rotational direction switch
3. On/Off switch
4. Battery pack
5. Battery charger
6. Selector speed
7. Battery release button
8. Keyless drill chuck
9. LED lamp

CONTENT OF THE BOX

Instruction manual (1 pc), battery pack (1 pc), battery charger (1 pc).

INTENDED USE

This tool is intended for driving in and loosening screws as well as for drilling in wood, metal, ceramic and plastic.

SAFETY REGULATION FOR THE USE

General safety rules

The following listed safety instructions should serve you for the right use of the tool and for the protection of your own safety, therefore, please read this very carefully. When passing this tool to a third person, these instructions must be handed too.

Retain this user's manual and all other literature supplied with your tool for any future reference.

Comply with all the safety information and the warnings on the tool.

Be familiar with the controls and the proper use of the tool before attempting to use it and above all, make sure you know how to stop to use it in case of emergency.

Following these simple instructions will also maintain your tool in good working order.

- The tool must be assembled correctly before use.
- Only use the tool for its designed purposes.
- On the tool, there may be also decals and further indications about the safety equipment to use that must be considered. The prevention of accidents is dependent upon the awareness, common sense and proper training of everyone involved in the operation, transport, maintenance and storage of the tool.
- Never leave the tool unattended.
- Never allow children to use the tool. Children should be supervised to ensure that they do not play with the tool.
- Keep children and pets away. All onlookers should be kept at a safe distance away from the tool when it is in use.
- The user is responsible for third parties while working with the tool.

· People who aren't acquainted with the operating instructions, children, juveniles who have not yet reached the minimum age for using this tool and people under the influence of alcohol, drugs or medication are not allowed to use the tool. Local regulations may restrict the age of the operator.



WARNING! The consumption of alcohol, medication and drugs, plus states of illness, fever and fatigue will affect your ability to react. Do not use this tool in any of these situations.

- Make sure that all the protective devices (if present) are fitted and are in good condition.
- Never operate the tool with defective safety devices or guards (if present), or without safety devices in place.
- Inspect the entire tool to look for loose parts (e.g. nuts, bolts, screws, etc.) and for any damage. Check at frequent intervals if screws and bolts (if present) are properly tight to be sure the equipment is in safe working condition. Repair or replace them, if necessary, before using the tool. Serious injury to the operator and to the bystanders could result if there's any damage to the tool.
- While using the tool, dress properly. Do not wear loose clothing or jewelry that could become caught by the tool. Wear suitable working clothes. It is recommended that legs and feet are covered, to protect them from eventual flying debris. Do not work barefoot or wearing open sandals. Long hair should be tied back.
- Keep handles and grips dry, clean and free from oil and grease.
- Use proper protective equipment. Use safety glasses and safety gloves. Also use a dust mask during pulverulent operations or if exhaust gases are present. When necessary, use also non-slipping boots or shoes, hardhat and earplugs. If the noise level exceeds 85 dB(A), ear protection is obligatory.



WARNING! Use personal protective equipment! Safety devices and personal protective equipment protect your own health and the health of others and ensure a trouble-free operation of the tool.

- Do not start to use the tool if it is in an inverted position or it is not in the right working order.
- Ensure that you have a good stand, while you operate with the tool. Keep proper footing and balance at all times.
- Keep work area clean. Cluttered areas invite injuries. Before use, all foreign bodies must be removed from the working area, also pay attention to foreign objects during operation.
- Do not force the tool.
- Only work in daylight or sufficiently good artificial

light. Never operate the tool without good visibility.

- Be careful not to drop the tool or hit it against obstacles.

ATTENTION! Stay alert. Watch what you are doing. Distraction can cause you to lose control. Use common sense.

Cordless tools safety rules

ATTENTION! When using cordless tools, the following safety instructions should be observed to prevent the risk of personal injury and fire. Read and observe these instructions carefully before using the tool.

- Do not use cordless tools near flammable liquids or gases.
- Do not expose cordless tools to rain and do not use cordless tools in damp or wet locations. Keep work area well lit and dry. Try to prevent the device from getting wet or being exposed to humidity. Do not leave it outside overnight.
- Avoid any accidental starting: make sure that the power switch (if present) is in the «off» position, before connecting the battery to the tool.
- Remove adjusting keys or wrenches before turning the tool on.
- Do not use the tool if the switch does not turn the tool on or off. Any tool that cannot be controlled with the switch is dangerous and must be repaired.



WARNING! During the use of certain cordless tools, some dust containing chemicals known to cause cancer, may occur.

Some of these chemicals are: lead from lead based paints, crystalline silica from bricks and cement and other masonry products, arsenic and chromium from chemically treated lumber and other dangerous products. If dust is present, your risk from these exposures varies, depending on how often you do this type of work.

To reduce your exposure to these chemicals, any time you do pulverulent operations, work in a well ventilated area and work with approved safety equipment, such as dust masks that are specially designed to filter out microscopic particles.

- If the appliance strikes a foreign body, examine the device for signs of damage and carry out any necessary repairs before restarting and continuing to work.
- If the appliance starts to vibrate abnormally, turn it off and check for the cause immediately. Vibration is

generally a warning of trouble.

- Always switch off the appliance and wait until the device completely stops whenever you leave the machine, before carrying out maintenance, before changing accessories, checking, cleaning, troubleshooting or working on the appliance.
- It is forbidden to move or modify any of the internal parts of the device.

Battery safety rules



WARNING! Use battery charger only with specifically designated battery packs. The use of any other battery packs may create risk of injury and fire.



ATTENTION! DANGER OF ELECTRIC SHOCK!
Do not expose tools to rain. Do not use tools in damp or wet locations. Try to prevent the tools from getting wet or being exposed to humidity. Water entering a tool will increase the risk of electric shock.



CAUTION! Touching electrified parts may cause death by electric shock or burn.

- Battery tools do not have to be plugged into a electrical outlet; therefore, they are always in operating condition. Be aware of possible hazards when not using the tool or when changing accessories.
- The charging voltage must correspond to the one marked on the labels and on this manual. Do not use other sources of power.
- To avoid danger, when the power cord of the battery charger is damaged, it should be replaced by manufacturer or its agent, or similar qualified person.
- Never move the battery charger by pulling at the cables.
- Do not abuse the cord of the battery charger. Keep it away from heat, oil, sharp edges or moving parts.
- When tools is not in use, keep it away from other metal objects, like paper clips, coins, keys, nails, screws or other small metal objects, that can make a connection from one terminal to another. Shorting the battery terminals together may cause burns or fire.
- Under abusive conditions, liquid may be ejected from the battery; avoid contact with the liquid. If contact accidentally occurs, flush with water. If liquid contacts

eyes, additionally seek medical help. Liquid ejected from the battery pack may cause irritation or burns.

- Do not use the charging unit outdoors.
- Do not charge non-rechargeable batteries.
- Do not place tools near fire or heat.
- Do not charge in an area of extreme heat or cold. It will work best at normal room temperature.
- Do not crush, drop or damage tools. Do not use a tool that has been dropped or received a sharp blow.
- Battery pack can explode in the presence of a source of ignition, such as a pilot light. To reduce the risk of serious personal injury, never use any tools in the presence of open flame. An exploded battery pack can propel debris and chemicals. If exposed, flush with water immediately.
- Always remove battery pack from the tool when assembling parts, making adjustment, cleaning, storing the device or when not in use.
- Do not place any object on top of battery charger or place the battery charger on a soft surface that might block the ventilation slots and result in excessive internal heat. Place the charge in a position away from any heat source.
- Disconnect the battery charger from the outlet before attempting any cleaning.
- Never attempt to connect two battery chargers together.
- Do not freeze, splash or immerse battery charger in water or other liquids.
- The use of not recommended attachments or not recommended charging units may result in a risk of fire, electric shock, or injury to people.
- Do not use the battery charger in location where the temperature may reach or exceed 40°C. Do not charge the battery pack in a air temperature below 4.5°C or above 40.5°C.
- The battery charger and the battery pack may become warm to touch while charging; this is a normal condition and does not indicate a problem.



ATTENTION! Use your tool only with specifically designated battery pack and charger. Their voltage must always correspond.



ATTENTION! Charge only same supplier approved rechargeable batteries. Use only same supplier approved charger and batteries with your product.

Specific safety rules

- Before screwing into a wall, in case of doubt, check with a metal / voltage detector that you are not breaking into electricity, gas or water supply lines.
- Switch off the device immediately when the tool



insert jams. Be prepared for high reaction torque that can cause kickback.

- Before lay down the tool, make sure that all moving parts have stopped.
- Avoid frequent stalling when screwing or drilling, as this could damage the battery.

UNPACKING

When unpacking, check to make sure that all components are included. Refer to the drawings on this manual. If any parts are missing or broken, please call an IVT assistance center.

CHANGING THE BIT [F1]

Set the rotational direction switch (2) to its centre position whenever you carry out any work (for example changing the bit, maintenance work, etc.) on the tool.

- The cordless tool is fitted with a keyless drill chuck (8) with an automatic spindle stop.
- Open the keyless drill chuck (8). The chuck opening must be large enough to hold the tool (drill bit or screwdriver bit).
- Select the suitable tool. Push the tool as far as possible into the chuck opening.
- Tighten the keyless drill chuck (8) and then check that the tool is secure.

Screwdriving

We recommend using self-centering screws designed for reliable working. Be sure to use a bit that matches the screw in shape and size. Set the torque, as described elsewhere in these operating instructions, to suit the size of screw.

CHARGING PROCEDURE [F2]



CAUTION! Recharge the battery pack (4) only with the battery charger (5) recommended by the manufacturer. A charging unit that is suitable for one type of battery pack (4) may create risk of fire when used with another battery pack (4). The use of not recommended attachments or not recommended charging units may result in a risk of fire, electric shock, or injury to people.



ATTENTION! Be alert for battery pack (4) that is nearing their end of life. If you notice decreased tool performance or significantly shorter running time between charges then it is time to replace the battery pack (4). Failure to do so can cause the tool to operate improperly or damage the battery charger (5).

MOUNTING BATTERY PACK (4) [F3]

- To install battery pack (4), align battery pack (4) and slide it into the tool until it locks into position. Do not force.
- To remove battery pack (4), press the battery release button (7) and slide battery pack (4) out of the tool.

TORQUE ADJUSTMENT [F4]

The tool has a step torque control (1), in order to avoid to damage screw-heads or bits.

Always select the appropriate torque setting for the work. The correct torque depends on the type and hardness of the material, on the type and length of screws, on specific working requirements.



ATTENTION! The tool must be at a standstill when you set the torque.

- For screwdriving purposes, turning the torque control (1) from minimum (easily-to-turn screws) to the maximum available torque setting (hard-to-turn screws). If the torque adjustment setting is not suitable for the screw, continue adjusting until the proper torque is obtained.
- For drilling purposes, turn the torque control (1) on the drilling step. At this setting the slip clutch is inactive and the torque is maximum.

SWITCHING ON / OFF [F5]

Switching On

Press On / Off switch (3)

Switching Off

Release On / Off switch (3).

STEPLESS SPEED CONTROL



The machine runs with variable speed between 0 and maximum depending on the pressure applied to the On / Off switch (3).

- If the tool should fail despite the rigorous manufacturing and testing procedures, the repair should be carried out by an authorized IVT customer service.
- Keep all nuts, bolts, and screws tight, to be sure the tool is in safe working condition.
- Replace worn or damaged parts for safety.
- Use only original spare parts. Parts not produced by manufacturer may cause poor fit and possible injury.
- Store the tool in a dry room out of reach of kids and away from any flammable material.
- Never wet the device or spray water on it!

CHANGING THE ROTATIONAL DIRECTION [F6]



WARNING! Operate the rotational direction switch (2) only at a standstill.

With the rotational direction switch (2), the rotational direction of the tool can be changed (when the On / Off switch (3) is operated, the rotational direction switch (2) is locked).

Right Rotation (forward)

Press the rotational direction switch (2) through to the right stop (for drilling, driving screws, etc.).

Left Rotation (reverse)

Press the rotational direction switch (2) through to the left stop (for loosening and unscrewing screws and nuts).

SELECTOR SPEED (6) [F7]

With the speed selector speed (6), you can change over from first to second gear and you can work at higher or lower speed.

To avoid damages, you should only change over gears when the tool has stopped.

LED LAMP (9)

The LED lamp (9) can be used in poor lighting conditions to illuminate the area where you want to drill or screw. The LED lamp (9) will be lit automatically as soon as you press the On/Off switch (3).

MAINTENANCE AND STORAGE



CAUTION! Before any work on the device itself, pull off the battery.

- Always keep the tool and the ventilation slots (if present) cleaned. Regular cleaning and maintenance of the appliance will ensure efficiency and prolong the life of your tool.

ENVIRONMENTAL PROTECTION



Recycle raw materials instead of disposing as waste.

Tool, accessories and packaging should be sorted for environment-friendly recycling.

The plastic components are labeled for categorized recycling. These instructions are printed on recycled paper manufactured without chlorine.



ATTENTION! DO NOT ATTEMPT TO REPAIR THE PRODUCT BY YOURSELF AND DO NOT TAMPER WITH IT! Any operation of repairing or extraordinary maintenance must be carried out only by a qualified and authorized IVT Service Center. Do not try to modify any internal part of the product! **THIS WILL COMPLETELY VOID THE WARRANTY AND IT COULD CAUSE SERIOUS INJURY AND DAMAGE.**

TECHNISCHE DATEN DES WERKZEUGES

Modell	CSD Li-14.4G-RC
Spannung der Batterie [V - Ah]	14.4 - 1.3
Batterietyp	Li-ion
Ladezeitraum [h]	3 - 4
Lastlose Drehzahl [UpM]	0-400 / 0-1450
Höchstdrehmoment [Nm]	27
Einstellung des Drehmomentes	18+1
Größter Bohrerdurchmesser [mm]	10
Bohrleistung (für Stahl) [mm]	10
Bohrleistung (für Holz) [mm]	25
Bohrleistung (für Metall) [mm]	10
Vibrationsniveau [m/s ²]	2.5 (K=1.5)
Schalldruckpegel [dB(A)]	77 (K=3)
Schalleistungspegel [dB(A)]	88 (K=3)
Gewicht [kg]	0.925
Gewicht (+ Batterie) [kg]	1.215
Sicherheitsklasse (Sammlerladegerät)	II

ZUBEHÖRTEILE

1. Drehmomentsteuerung
2. Drehrichtungsschalter
3. Zweifachschalter "EIN - AUS"
4. Batterie
5. Sammlerladegerät
6. Geschwindigkeitsselektor
7. Knopf des Batterieauswurfes
8. Schlüsselloses Bohrfutter
9. LED-Lampe

BOXGEHALT

Bedienungsanleitung (1 St.), batterie (1 St.),
Sammlerladegerät für Batterien (1 St.).

VORAUSSICHTLICHE BENUTZUNG

Dieses Werkzeug ist für Verschrauben und Heraus-schrauben von Schrauben sowie für Bohren von Holz, Metall, Keramik und Kunststoff bestimmt.

ARBEITSSICHERHEIT BEI DER BENUTZUNG

Allgemeine Regeln der Arbeitssicherheit

Folgende Anleitungen zur Arbeitssicherheit helfen Ihnen das Werkzeug richtig benutzen und Ihre eigene Sicherheit gewährleisten. Deswegen lesen Sie sie

besonnen und aufmerksam.

Im Falle der Übergabe des Werkzeuges für die Benutzung eines Dritten, geben Sie ihm auch vorliegende Anleitungen der Arbeitssicherheit.

Behalten Sie diese Anleitung und sonstige Literatur, die mitgeliefert werden. Wenden Sie sich an sie, wenn die Fragen entstehen.

Folgen Sie strikt den Regeln der Arbeitssicherheit und Warnungen, die am Werkzeug angegeben sind.

Vor der Arbeit machen Sie sich mit der Werkzeugsteuerung bekannt, aber, vor allem, studieren Sie die Verfahren seines Nothalts.

Indem Sie diesen einfachen Anleitungen folgen, werden Sie Ihr Werkzeug im einwandfreien Zustand halten.

- Vor dem Einsatz ist das Werkzeug richtig zu montieren.

- Setzen Sie das Werkzeug streng zweckgemäß.

- Nehmen Sie Warnungstafeln und Hinweise am Werkzeug und studieren Sie sie aufmerksam.

Aufmerksamkeit, vernünftiges Herangehen zur Arbeit und eine entsprechende Ausbildung von Personen, die am Betrieb, Transportieren, an der Wartung und Lagerhaltung des Werkzeuges teilnehmen, helfen Unfälle verhindern.

- Lassen Sie das Werkzeug ohne Aufsicht nicht.

- Lassen Sie die Benutzung des Werkzeuges durch Kinder nicht zu. Erlauben Sie den Kindern nicht, mit dem Werkzeug zu spielen. играть с инструментом.

- Lassen Sie das Auffinden von Kindern und Tieren in der Nähe des Werkzeuges nicht zu. Die, die den Wunsch haben, die Arbeit des Werkzeuges zu



beobachten, sollen sich im sicheren Abstand von ihm befinden.

- Bei der Arbeit mit dem Werkzeug haftet der Benutzer für die Sicherheit von Dritten.
- Personen, die Bedienungsanleitung nicht studiert haben, Kinder, Minderjährige, die das Alter, das die Benutzung des Werkzeuges erlaubt, nicht erreicht haben, sowie Personen, die sich im Alkohol- oder Rauschzustand oder unter Wirkung medizinischer Präparate befinden, werden zur Arbeit mit dem Werkzeug nicht zugelassen. Das Alter des Bedienenden wird durch örtliche Rechtsvorschriften bestimmt.



VORSICHT! Alkohol, einige Heilmittelpräparate und berauschende Mittel sowie Krankheit, Fieber und Müdigkeit vermindern die Geschwindigkeit der Reaktion. In oben genannten Fällen benutzen Sie das Werkzeug nicht.

- Versichern Sie sich, dass alle Schutzeinrichtungen (falls vorhanden) installiert und nutzungsfähig sind.
- Benutzen Sie das Werkzeug ohne Schutzeinrichtungen (falls vorhanden), oder falls sie beschädigt sind, nicht.
- Prüfen Sie das Werkzeug in bezug auf den Bestand von losen Teilstücken (Muttern, Bolzen, Schrauben usw.) oder Beschädigungen. Um sichere Arbeit des Werkzeuges zu gewährleisten, prüfen Sie regelmäßig, ob Bolzen und Schrauben gut festgezogen sind (falls vorhanden). Bei Bedarf führen Sie vor dem Einsatz des Werkzeuges ihre Reparatur oder ihren Austausch durch. Im Falle des Einsatzes des beschädigten Werkzeuges können dem Bedienenden oder Dritten ernste Verletzungen zugefügt werden.
- Verwenden Sie bei der Arbeit eine entsprechende Arbeitskleidung. Weite Kleidung, Schmuckstücke können von beweglichen Teilen mitgenommen werden. Arbeiten Sie nur in entsprechender Arbeitskleidung. Schützen Sie ihre Beine und Füße vor auseinanderfliegender Feine. Arbeiten Sie barfuß oder in offenen Sandalen nicht. Tragen Sie langes Haar hinten zusammen.
- Halten Sie Haltegriffe und Halter trocken und sauber.
- Verwenden Sie entsprechende PSA. Verwenden Sie Schutzbrille und Handschuhe. Bei der Arbeit mit Pulvern oder bei dem Auswurf von Abgasen verwenden Sie den Staubrespirator. Bei Bedarf ziehen Sie gleichsichere Schuhe, den Schutzhelm und schützen Sie ihre Gehörgänge mit Ohrstöpseln. Wenn die Lautstärke 85 dB(A) überschreitet, verwenden Sie unbedingt Gehörschütze.



VORSICHT! Verwenden Sie persönliche Schutzausrüstung! Die Schutzeinrichtungen und PSA gewährleisten die Sicherung ihrer Gesundheit und die Gesundheit der Umstehenden sowie garantieren störungsfreie Arbeit des Werkzeuges.

- Lassen Sie das Werkzeug nicht an, wenn es umgedreht oder im Ruhezustand ist.
- Während der Arbeit nehmen Sie die Beharrungsstellung. Halten Sie immer das Gleichgewicht.
- Halten Sie die Sauberkeit im Arbeitsbereich ein. Auf den gesperrten Abschnitten ist ein hohes Niveau von Unfällen. Vor dem Einsatz des Werkzeuges räumen Sie von der Arbeitsfläche alle Fremdkörper auf sowie vermeiden Sie den Eintritt von Fremdkörpern unter das Werkzeug während der Arbeit.
- Drücken Sie stark auf das Werkzeug während der Arbeit nicht.
- Benutzen Sie das Werkzeug nur bei gutem Tages- oder Kunstlicht. Benutzen Sie das Werkzeug bei schlechter Sicht nicht.
- Lassen Sie das Werkzeug nicht fallen, lassen Sie den Anstoß des Werkzeuges auf irgendwelche Hindernisse nicht zu.

VORSICHT! Gut aufpassen. Schauen Sie von dem durch das Werkzeug bearbeitenden Stück nicht weg. Indem man ablenkt, kann man die Steuerung verlieren. Arbeiten Sie vernünftig.

Arbeitsschutzbestimmungen bei der Arbeit mit schnurlosen Werkzeugen

ACHTUNG! Um den Stromschlag, die Schadenzufügung der Gesundheit oder die Entflammung bei der Verwendung von kabellosen Elektrowerkzeugen zu vermeiden, muss man folgende Arbeitsschutzvorschriften beachten. Vor dem Einsatz des Werkzeuges lesen Sie diese Anleitungen und folgen Sie ihnen streng.

- Benutzen Sie schnurlose Werkzeuge in der Nähe von leichtentflammenden Flüssigkeiten und Brenngasen nicht.
- Benutzen Sie schnurlose Werkzeuge bei dem Regen und bei der erhöhten Feuchtigkeit nicht. Halten Sie ihren Arbeitsbereich trocken, sichern Sie gute Beleuchtung. Schützen Sie das Werkzeug vor Feuchtigkeit. Lassen Sie das Werkzeug in der Freiluft über Nacht nicht.



Bedienungsanleitung

- Vermeiden Sie zufälliges Anlassen des Werkzeuges: vor dem Anschluss der Batterie an das Werkzeug versichern Sie sich, dass der Schalter (falls vorhanden) in die Position 'off' (AUS) umgeschaltet ist.
- Vor dem Anlassen des Werkzeuges entfernen Sie Einstellkeile und Stellschlüssel.
- Benutzen Sie das Werkzeug mit dem gestörten Schalter nicht. Das Werkzeug mit dem gestörten Schalter ist gefährlich und erfordert die Reparatur.



ACHTUNG! STROMSCHLAGEGFAHR!
Lassen Sie die Werkzeuge unter dem Regen nicht. Benutzen Sie Werkzeuge bei starker Feuchtigkeit nicht. Versuchen Sie Werkzeuge vor Befeuchtung oder Einwirkung der Feuchte schützen. Bei Wassereindringen in das Werkzeug steigt die Gefahr des Elektrounfalls.



ACHTUNG! Manchmal während der Arbeit mit schnurlosen Elektroinstrumenten bildet sich Staub, der die den Krebs erregende Stoffe enthält.

Zu solchen chemischen Stoffen gehören: Blei in Bleioxid, Quarz, der zum Bestand des Backsteins und des Zements gehört, Arsen und Chrom, die im Schnittholz, das durch chemische Reagens behandelt ist, enthalten sind, und sonstige schädliche Stoffe. Das Risiko der Einwirkung dieser chemischen Stoffe hängt von der Häufigkeit der Durchführung der mit ihnen verbundenen Arbeiten ab.

Um ihre schädliche Einwirkung zu reduzieren, arbeiten Sie in einem gut gelüfteten Raum und benutzen Sie entsprechende fehlerfreie PSA, z.B., Staubrespiratoren, die speziell für die Ausfilterung von mikroskopischen Teilchen entwickelt sind.

- Bei dem Eintritt eines Fremdkörpers unter das Werkzeug prüfen Sie es auf das Vorhandensein von Beschädigungen und machen Sie eine notwendige Reparatur.
- Bei dem Entstehen der Übervibration schalten Sie das Werkzeug aus und stellen Sie umgehend die Ursache fest. Die Vibration ist gewöhnlich ein Zeichen der Störung.
- Bevor Sie Ihren Arbeitsplatz verlassen, führen Sie die Reparatur, Sichtkontrolle oder Reinigung des Werkzeuges, schalten Sie es aus und warten Sie auf vollständiges Stoppen von beweglichen Teilen.
- Es ist verboten, die Innenteile des Werkzeuges abzumontieren und zu ändern.

Arbeitsschutzbestimmungen bei der Verwendung von Batterien



WARNUNG! Verwenden Sie ein Sammlerladegerät nur mit für es speziell bestimmten Batterien. Die Verwendung anderer Batterien kann zum Risiko der Verletzung oder des Brandes führen.



WARNUNG! Der Kontakt mit elektrischen Bestandteilen kann zum Tode wegen des Elektrounfalls oder zur Verbrennung führen.

- Die Werkzeuge mit der Batterie braucht man an die Stromnetzdose nicht anzuschließen, da sie immer im Betriebszustand sind. Berücksichtigen Sie mögliche gefährliche Faktoren, wenn das Werkzeug nicht eingesetzt wird oder seine Zubehörteile ersetzt werden.
- Die Ladungsspannung soll dem Wert, der auf Aufkleben und in diesem Handbuch angegeben ist, entsprechen. Verwenden Sie keine anderen Speisungsquellen.
- Um der Gefahr im Falle der Störung der Kabelspeisung des Sammlerladegerätes auszuweichen, soll das Kabel durch den Hersteller, seinen Agenten oder den anderen Bevollmächtigten ersetzt werden.
- Ziehen Sie das Sammlerladegerät nie für Kabel, um es zu verschieben.
- Lassen Sie die Fehlbenutzung des Kabels des Sammlerladegerätes nicht zu. Schützen Sie es vor Erhitzung, Öl, scharfen Kanten oder beweglichen Teilen.
- Wenn die Werkzeuge nicht verwendet werden, halten Sie sie weit von anderen metallischen Gegenständen, z.B., Heftklammern für Papier, Münzen, Schlüssel, Nägel, Schrauben und sonstigen kleinen metallischen Gegenständen, die die Kontakte abschließen können. Der Kurzschluss von Kontakten der Batterie kann zur Brandverletzung oder zum Brand führen.
- Bei dem Betriebsfehler kann der Flüssigkeitsausstoß aus der Batterie geschehen; vermeiden Sie den Kontakt mit dieser Flüssigkeit. Wenn solcher Kontakt zufällig geschehen ist, so spülen Sie die verletzte Stelle mit Wasser. Wenn die Flüssigkeit die Augen getroffen hat, so holen Sie zusätzlich ärztlichen Rat ein. Die Flüssigkeit, die aus der Batterie kommt, kann Reiz oder Brandverletzung hervorrufen.
- Verwenden Sie das Sammlerladegerät außerhalb des Raumes nicht.
- Laden Sie Batterien, die keine Wiederaufladung zulassen, nicht.
- Lassen Sie die Werkzeuge neben offenem Feuer oder der Wärmequelle nicht.



- Laden Sie dort, wo zu heiß oder zu kalt ist, nicht. Das Laden erfolgt am besten bei normaler Raumtemperatur.
- Deformieren Sie die Werkzeuge nicht, lassen Sie sich nicht fallen und beschädigen sie nicht. Verwenden Sie das Werkzeug, das abgestürzt ist oder einen schweren Schlag bekommen hat.
- Die Batterie kann in Anwesenheit der Entzündungsquelle, z.B., des ständig eingeschalteten Brenners explodieren. Um das Risiko der ersten Körperverletzung zu senken, verwenden Sie nie irgendwelche Werkzeuge in Anwesenheit der offenen Flamme. Von der explodierten Batterie können Bruchstücke und Chemikalien auseinanderfliegen. Wenn Sie ihrer Auswirkung ausgesetzt wurden, so spülen Sie unverzüglich die verletzte Stelle mit Wasser.
- Ziehen Sie die Batterie aus dem Werkzeug bei Montage seiner Bestandteile, bei der Durchführung der Justierung, der Reinigung, während der Aufbewahrung der Einrichtung, oder falls sie nicht verwendet wird, immer weg.
- Stellen Sie keine Gegenstände auf das Sammlerladegerät sowie stellen Sie das Sammlerladegerät auf weiche Fläche, die die Entlüftungsschlitze schließen und zur übermäßige Selbstaufheizung führen kann. Bringen Sie das Sammlerladegerät weit von jeder Wärmequelle an.
- Schalten Sie das Sammlerladegerät von der Netzdose vor jeder Reinigung ab.
- Versuchen Sie nie zwei Sammlerladegeräte aneinander anzuschließen.
- Setzen Sie das Sammlerladegerät der Einwirkung bitterer Kälte, von Spritzern nicht aus sowie lassen Sie es in das Wasser oder andere Flüssigkeiten nicht ein.
- Die Verwendung von nicht zu empfehlenden Zubehörteile oder nicht zu empfehlenden Sammlerladegeräten kann zur Feuergefahr, zur Stromschädigung oder zur Verletzung von Menschen führen.
- Verwenden Sie das Sammlerladegerät in den Stellen, wo die Temperatur 40 °C erreichen oder überschreiten kann, nicht. Laden Sie die Batterie bei der Lufttemperatur unter 4,5 °C oder über 40,5 °C nicht.
- Das Sammlerladegerät und die Batterie können während des Ladens beim Betasten warm werden; das ist ein normaler Zustand, der kein Zeichen der Probleme ist.



ACHTUNG! Laden Sie nur von dem Hersteller genehmigte Batterien, die die Wiederaufladung zulassen. Verwenden Sie mit Ihrem Erzeugnis nur von dem Hersteller genehmigte Sammlerladegeräte und Batterien.

Besondere Arbeitsschutzvorschriften

- Bevor Sie die Schraube in die Wand einschrauben, prüfen Sie, falls Sie zweifeln, mit Hilfe des Metalldetektors / elektrischer Spannung, um Elektro-, Gas- und Wasserleitungen nicht zu beschädigen.
- Schalten Sie das Gerät sofort aus, wenn das Ansatzstück des Werkzeuges festgekeilt wird. Seien Sie bereit, auf starkes Rückdrehmoment, das den Rückschlag hervorbringen kann, zu reagieren.
- Bevor Sie das Werkzeug legen, stellen Sie sicher, dass alle seine beweglichen Teile vollständig gestoppt sind.
- Vermeiden Sie langdauerndes Stoppen beim Eindrehen von Schrauben oder Bohren, da es zur Beschädigung der Batterie führen kann.

AUFSCHLUSS DER VERPACKUNG

Bei dem Aufschluss der Verpackung prüfen Sie das Vorhandensein des Zubehörs. Vgl. Zeichnungen zu dieser Anleitung. Bei dem Fehlen oder Defekt von einigen Teilen wenden Sie sich an das Dienstleistungszentrum IVT.

ERSATZ DES ANSATZSTÜCKES [F1]

Stellen Sie den Schalter der Drehrichtung (2) in die zentrale Position jedes Mal ein, wenn Sie beliebige Arbeiten am Werkzeug (z.B., bei dem Ersatz des Ansatzstückes, der technischen Wartung usw.) vornehmen.

- Leitungsfreies Werkzeug ist mit schlüssellosen Bohrfutter (8) mit dem automatischen Stopp des Spindels ausgestattet.
- Öffnen Sie schlüsselloses Bohrfutter (8). Das Futter soll genug breit sein, um das Ansatzstück des Werkzeuges (Bohrer oder Schraubendrehereinsatz) zu halten.
- Wählen Sie ein passendes Ansatzstück des Werkzeuges. Stecken Sie das Ansatzstück des Werkzeuges so tief wie möglich in den Futtermund hinein.
- Ziehen Sie schlüsselloses Bohrfutter (8) an, und dann prüfen Sie die Fixierung des Ansatzstückes des Werkzeuges.



ACHTUNG! Verwenden Sie Ihr Werkzeug nur mit für es speziell bestimmten Batterien Sammlerladegeräten. Die Spannung soll immer dem Nominalwert entsprechen.



Arbeit im Betrieb des Drehschraubers

Wir empfehlen selbstzentrierende Schrauben, die für sichere Arbeit bestimmt sind, zu verwenden. Stellen Sie sicher, dass das verwendbare Ansatzstück der Schraube der Form und Größe nach entspricht. Stellen Sie das Drehmoment ein, wie es in dem anderen Abschnitt des Handbuches beschrieben ist, damit es den Schraubengrößen entspricht.

Kopfstücke von Schrauben oder Ansatzstücken zu vermeiden.

Wählen Sie für die Arbeit immer eine entsprechende Einstellung des Drehmomentes. Der richtige Wert des Drehmomentes hängt von dem Typ und der Härte des Materials, von dem Typ und der Länge von Schrauben, von konkreten Arbeitsforderungen ab.

LADENVERFAHREN [F2]



WARNUNG! Nehmen Sie das Nachladen der Batterie (4) nur mit Hilfe des Sammlerladegerätes (5), das von dem Hersteller empfohlen ist. Das Sammlerladegerät, das für die Batterie eines Typs geeignet ist (4), kann die Brandgefahr bei der Verwendung mit der anderen Batterie (4) herbeiführen. Die Verwendung von nicht empfohlenen Zubehörteilen oder nicht empfohlenen Sammlerladegeräten kann zur Feuergefahr, zur Stromschädigung oder zur Verletzung von Menschen führen.



ACHTUNG! Das Werkzeug soll während der Einstellung des Drehmomentes vollständig gestoppt sein.

- Zur Verwendung als Drehschrauber verstellen Sie den Regler des Drehmomentes (1) von der minimalen (Schrauben werden mit kleinem Bemühen gedreht) bis zur maximal zulässigen Einstellung des Drehmomentes (Schrauben werden mit kleinem Bemühen gedreht). Wenn die Einstellung des Drehmomentes für eine konkrete Schraube nicht passt, so setzen Sie die Einstellung bis zum Erreichen des sachgemäßen Drehmoments fort.

- Zur Verwendung als Bohrer verstellen Sie den Regler des Drehmomentes (1) auf die Stufe der Bohrung. Bei solcher Einstellung ist die Schlupfkupplung inaktiv, und das Drehmoment ist maximal.



ACHTUNG! Seien Sie vorsichtig bei der Handhabung mit der Batterie (4), deren Betriebsdauer abläuft. Wenn Sie die Verschlechterung in der Arbeit des Werkzeuges oder eine wesentliche Zeitverkürzung zwischen Ladungen bemerkt haben, so muss man die Batterie (4) ersetzen. Die Nichterfüllung dieser Forderung kann zum Fehlverhalten des Werkzeuges oder zur Beschädigung des Sammlerladegerätes (5) führen.

EINSCHALTUNG/AUSSCHALTUNG [F5]

Einschaltung

Drücken Sie auf den Zweifachschalter „EIN - AUS“ (3).

Ausschaltung

Entlasten Sie den Zweifachschalter „EIN - AUS“ (3).

STUFENLOSE DREHZAHREGULIERUNG



Die Maschine läuft je nach Druck auf den Ein- /Ausschalter (3) mit variabler Drehzahl zwischen 0 und Maximum.

ANORDNUNG DER BATTERIE (4) [F3]

- Um die Batterie (4) anzuordnen, kongruieren Sie die Batterie (4) mit der Buchse und stecken Sie sie in das Werkzeug bis zur Platzfixierung. Setzen Sie keine Kraft ein.

- Um die Batterie (4) herauszunehmen, drücken Sie auf den Knopf des Batterieauswurfes (7) und nehmen Sie die Batterie (4) aus dem Werkzeug heraus.

ÄNDERUNG DER DREHRICHTUNG [F6]



WARNUNG! Benutzen Sie den Schalter der Drehrichtung (2) nur im Stillstand des Werkzeuges.

EINSTELLUNG DES DREHMOMENTES [F4]

Dieses Werkzeug hat einen Stufenregler des Drehmomentes (1), um die Beschädigung der

Die Drehrichtung des Werkzeuges kann man mit dem Schalter der Drehrichtung (2) ändern (wenn der Zweifachschalter „EIN - AUS“ (3), der Schalter der Drehrichtung (2) ist verriegelt).



Rechtsdrehung (nach vorn)

Drücken Sie auf den Schalter der Drehrichtung (2), bis er nach rechts bis zum Anschlag kommt (für Bohrung, Einschrauben von Schrauben usw.).

Linksdrehung (rückwärts)

Drücken Sie auf den Schalter der Drehrichtung (2), bis er nach links bis zum Anschlag kommt (für Lockern und ausschrauben von Schrauben und Müttern).

GESCHWINDIGKEITSSELEKTOR (6) [F7]

Mit Hilfe des Geschwindigkeitsselektors (6) können Sie sich vom ersten Gang auf den zweiten Gang umstellen, so dass Sie mit der Über- oder Untergeschwindigkeit arbeiten können.

Zum Vermeiden der Beschädigungen sollen Sie die Gänge nur am abgestellten Werkzeug umstellen.

LED-LAMPE (9)

Die LED-Lampe (9) kann unter Bedingungen der schlechten Beleuchtung zur Zusatzbeleuchtung des Bereichs, wo Sie eine Schraube einschrauben wollen, verwendet werden. Die LED-Lampe (9) kann beim Druck auf den Zweifachschalter "EIN - AUS" (3) automatisch aufleuchten.

WARTUNG UND LAGERHALTUNG



VORSICHT! Bevor Sie die Arbeit mit dem Werkzeug beginnen, ziehen Sie die Batterie heraus.

- Halten Sie das Werkzeug und Luftöffnungen (falls vorhanden) sauber. Regelmäßige Reinigung und Wartung garantieren eine hohe Effektivität und einen langen Betrieb des Werkzeuges.
- Im Falle des Versagens, ungeachtet der Einhaltung aller Regeln des Betriebes und der Erprobung des Werkzeuges, soll die Reparatur in einem offiziellen Dienstleistungszentrum IVT durchgeführt werden.
- Alle Müttern, Bolzen und Schrauben sollen festgezogen sein.
- Tauschen Sie beschädigte oder abgenutzte Teile



ACHTUNG! ES IST VÖLLIG UNZULÄSSIG, DIE REPARATUR DES ERZEUGNISSES SELBSTÄNDIG DURCHZUFÜHREN UND ZU VERSUCHEN, IHRE SPUREN ZU VERBERGEN! Nur das autorisierte IVT-Service-Zentrum hat das Recht auf die Durchführung der Reparatur und erweiterte Aufrechterhaltung. Die Eintragung von Änderungen in den Innenausbau des Erzeugnisses ist verboten! SOLCHE HANDLUNGEN SIND NICHT DER GRUND FÜR DEN VERZICHT AUF DIE GARANTIEVERPFLICHTUNGEN, SIE KÖNNEN AUCH ALS GRUND FÜR BESCHÄDIGUNGEN UND ERNSTE KÖRPERVERLETZUNGEN SEIN.

aus.

- Verwenden Sie nur die Originalersatzteile. Die Teile, die von einem anderen Hersteller produziert sind, passen undicht und erhöhen das Risiko von Verletzungen.
- Bewahren Sie das Werkzeug auf einem trockenen für Kinder unzugänglichen Platz, in der sicheren Entfernung von leichtentflammenden Stoffen auf.
- Vermeiden Sie das Treffen des Wassers auf das Werkzeug!

UMWELTSCHUTZ



Befördern Sie Müll und Abfälle zur Überarbeitung!

Das Werkzeug, Zusatzgeräte und Verpackung sind zur ökologisch sicheren Überarbeitung zu befördern.

Die Elemente aus Kunststoff haben einen Vermerk über die Möglichkeit einer klassifizierten Überarbeitung. Die vorliegende Anleitung ist auf dem Recyclingpapier, das kein Chlor enthält, gedruckt.

ТЕХНИЧЕСКИЕ ХАРАКТЕРИСТИКИ ИНСТРУМЕНТА

Модель	CSD Li-14.4G-RC
Напряжение аккумуляторной батареи [В - Ah]	14.4 - 1.3
Тип батареи	Li-ion
Время зарядки [час]	3 - 4
Частота вращения без нагрузки [об/мин]	0-400 / 0-1450
Максимальный крутящий момент [Нм]	27
Настройки крутящего момента	18+1
Наибольший диаметр сверла [мм]	10
Наибольший диаметр сверления (по стали) [мм]	10
Наибольший диаметр сверления (по древесине) [мм]	25
Наибольший диаметр сверления (по металлу) [мм]	10
Уровень вибрации [m/s^2]	2.5 (K=1.5)
Уровень звукового давления [дБ(A)]	77 (K=3)
Уровень звуковой мощности [дБ(A)]	88 (K=3)
Вес [кг]	0.925
Вес (+ Аккумуляторная батарея) [кг]	1.215
Класс безопасности (зарядное устройство для аккумуляторов)	II

КОМПЛЕКТУЮЩИЕ ДЕТАЛИ

1. Регулятор крутящего момента
2. Переключатель направления вращения
3. Двухпозиционный переключатель «вкл.-выкл.»
4. Аккумуляторная батарея
5. Зарядное устройство для аккумуляторов
6. Селектор скорости
7. Кнопка выброса батареи
8. Беспроводной сверлильный патрон
9. Светодиодная лампа

СОДЕРЖИМОЕ КОРОБКИ

Инструкция по эксплуатации (1 шт.), аккумуляторная батарея (1 шт.), зарядное устройство для аккумуляторов (1 шт.).

ПРЕДПОЛАГАЕМОЕ ИСПОЛЬЗОВАНИЕ

Этот инструмент предназначен для закручивания и выкручивания винтов, а также для сверления древесины, металла, керамики и пластмассы.

ТЕХНИКА БЕЗОПАСНОСТИ ПРИ ИСПОЛЬЗОВАНИИ

Общие правила техники безопасности

Следующие инструкции по технике безопасности

помогут вам правильно пользоваться инструментом и обеспечить собственную безопасность. Поэтому прочитайте их вдумчиво и внимательно.

В случае передачи инструмента для использования третьему лицу передайте и настоящие инструкции по технике безопасности.

Сохраните данную инструкцию и прочую литературу, входящую в комплект поставки. Обращайтесь к ней в случае возникновения вопросов.

Строго следуйте правилам техники безопасности и предостережениям, указанным на инструменте.

Перед началом работы ознакомьтесь с органами управления инструмента, но, прежде всего, изучите способы его экстренной остановки.

Следуя этим простым инструкциям, и вы будете содержать ваш инструмент в исправном состоянии.

- Перед использованием инструмент необходимо правильно собрать.
- Используйте инструмент строго по назначению.
- Отнеситесь внимательно к предупредительным надписям и указаниям на инструменте и внимательно изучите их. Внимательность, разумный подход к работе и соответствующая подготовка лиц, задействованных в эксплуатации, транспортировке, обслуживании и хранении инструмента, помогут предотвратить несчастные случаи.
- Не оставляйте инструмент без присмотра.
- Не допускайте использования инструмента детьми. Не позволяйте детям играть с инструментом.



- Не допускайте нахождения вблизи инструмента детей и животных. Те, кто желает понаблюдать за работой инструмента, должны находиться на безопасном расстоянии от него.
- При работе с инструментом пользователь несет ответственность за безопасность третьих лиц.
- Лица, не ознакомленные с инструкциями по эксплуатации, дети, несовершеннолетние, не достигшие возраста, позволяющего использовать инструмент, а также лица, находящиеся в состоянии алкогольного или наркотического опьянения, либо под воздействием медицинских препаратов, не допускаются к работе с инструментом. Возраст оператора устанавливается местными нормативными актами.



ОСТОРОЖНО! Алкоголь, некоторые лекарственные препараты и наркотические вещества, а также состояние нездоровья, жар и утомление снижают скорость реакции. Не используйте данный инструмент в вышеперечисленных случаях.

- Убедитесь, что все защитные приспособления (если таковые имеются) установлены и пригодны к эксплуатации.
- Не используйте инструмент без защитных приспособлений (если таковые имеются), либо если они повреждены.
- Осмотрите инструмент на наличие незакрепленных деталей (гаек, болтов, винтов и т.д.) или повреждений. Чтобы обеспечить безопасную работу инструмента, периодически проверяйте, хорошо ли затянуты болты и винты (если таковые имеются). При необходимости перед использованием инструмента произведите их ремонт или замену. В случае использования поврежденного инструмента оператору или посторонним лицам могут быть нанесены серьезные травмы.
- Используйте для работы соответствующую спецодежду. Просторная одежда, украшения могут быть затянуты движущимися частями. Работайте только в подходящей спецодежде. Защитите ноги и ступни от разлетающегося мусора. Не работайте босиком или в открытых сандалиях. Соберите длинные волосы сзади.
- Содержите ручки и рукоятки в чистоте и сухости.
- Используйте соответствующие СИЗ. Используйте защитные очки и перчатки. При работе с порошками или при выбросах выхлопных газов используйте противопылевой респиратор. При необходимости наденьте нескользкую обувь, каску и защитите органы слуха берушами. Если уровень

шума превышает 85 дБ(А), обязательно используйте защитные наушники.



ОСТОРОЖНО! Пользуйтесь средствами индивидуальной защиты! Защитные приспособления и СИЗ обеспечивают сохранность вашего здоровья и здоровья окружающих, а также гарантируют бесперебойную работу инструмента.

- Не запускайте инструмент, если он перевернут или находится в нерабочем положении.
- Во время работы примите устойчивое положение. Постоянно сохраняйте равновесие.
- Соблюдайте чистоту на рабочем участке. На загроможденных участках наблюдается высокий уровень травматизма. Перед использованием инструмента уберите с рабочей площадки все посторонние предметы, а также избегайте попадания под инструмент посторонних предметов во время работы.
- Не давите на инструмент с силой во время работы.
- Используйте инструмент только при хорошем дневном или искусственном освещении. Не используйте инструмент в условиях плохой видимости.
- Не роняйте инструмент, не допускайте столкновения инструмента с какими-либо препятствиями.

ОСТОРОЖНО! Будьте внимательны. Не отводите взгляд от обрабатываемого инструментом предмета. Отвлечшись, можно потерять управление. Подходите к работе разумно.

Правила техники безопасности при работе с беспроводными инструментами

ВНИМАНИЕ! Во избежание удара электрическим током, причинения вреда здоровью или возгорания при использовании беспроводных электроинструментов необходимо соблюдать следующие инструкции по технике безопасности. Перед использованием инструмента прочтите и точно соблюдайте данные инструкции.

- Не используйте беспроводные инструменты вблизи легковоспламеняющихся жидкостей и горючих газов.
- Не используйте беспроводные инструменты во время дождя или в условиях повышенной влажности. Содержите рабочий участок в сухости, обеспечьте хорошее освещение. Берегите инструмент от влаги. Не оставляйте инструмент на открытом воздухе на ночь.
- Избегайте случайного запуска инструмента:

перед подключением к инструменту аккумулятора убедитесь, что выключатель (при наличии) переведен в положение 'off' (выкл.).

- Перед включением инструмента удалите установочные клинья и ключи.
- Не используйте инструмент с неисправным выключателем. Инструмент с неисправным выключателем представляет опасность и требует ремонта.



ВНИМАНИЕ! Иногда во время работы с беспроводными электроинструментами образуется пыль, содержащая вызывающие рак вещества.

К таким химическим веществам относятся: свинец в составе свинцовых белил, кварц, входящий в состав кирпича и цемента, мышьяк и хром, содержащиеся в пиломатериале, обработанном химическими реагентами, и прочие вредные вещества. Риск воздействия данных химических веществ зависит от частоты проведения связанных с ними работ.

Чтобы сократить их вредное воздействие, работайте в хорошо проветриваемом помещении и используйте соответствующие исправные СИЗ, например, противопылевые респираторы, специально разработанные для отфильтровывания микроскопических частиц.

- При попадании под инструмент постороннего предмета осмотрите его на наличие повреждений и произведите необходимый ремонт.
- При возникновении чрезмерной вибрации отключите инструмент и немедленно выясните причину. Вибрация обычно является признаком повреждения.
- Перед тем, как покинуть рабочее место, произвести ремонт, осмотр или очистку инструмента, отключите его и дождитесь полной остановки движущихся деталей.
- Запрещается снимать или изменять внутренние детали инструмента.

Правила техники безопасности при использовании аккумуляторной батареи



ПРЕДУПРЕЖДЕНИЕ. Используйте зарядное устройство для аккумуляторов только со специально предназначенными для него аккумуляторными батареями. Использование любых других аккумуляторных батарей может привести к риску травмы или пожара.



ВНИМАНИЕ! ОПАСНОСТЬ ПОРАЖЕНИЯ ЭЛЕКТРИЧЕСКИМ ТОКОМ! Не оставляйте инструменты под дождем. Не используйте инструменты при высокой влажности. Старайтесь предохранить инструменты от увлажнения или воздействия сырости. При попадании воды в инструмент возрастает опасность поражения электрическим током.



ПРЕДОСТЕРЕЖЕНИЕ! Прикосновение к электрическим компонентам может привести к смерти из-за поражения электрическим током или ожогу.

- Инструменты с аккумуляторной батареей не нужно подключать к розетке электросети, так что они всегда находятся в рабочем состоянии. Имейте в виду возможные опасные факторы, когда инструмент не используется или на нем заменяются принадлежности.
- Напряжение зарядки должно соответствовать величине, указанной на наклейках и в этом руководстве. Не используйте другие источники питания.
- Чтобы избежать опасности в случае повреждения кабеля электропитания зарядного устройства для аккумуляторов, кабель должен быть заменен производителем, его агентом или другим аналогичным уполномоченным лицом.
- Никогда не тяните зарядное устройство для аккумуляторов за кабели, чтобы переместить его.
- Не допускайте неправильного обращения с кабелем зарядного устройства для аккумуляторов. Берегите его от нагрева, масла, острых кромок или подвижных частей.
- Когда инструменты не используются, держите их в отдалении от других металлических предметов, например, скрепок для бумаги, монет, ключей, гвоздей, винтов или прочих небольших металлических предметов, которые могут замкнуть контакты. Короткое замыкание контактов батареи может привести к ожогу или пожару.
- В условиях неправильной эксплуатации может произойти выброс жидкости из аккумуляторной батареи; избегайте контакта с этой жидкостью. Если такой контакт случайно произошел, то промойте пораженное место водой. Если жидкость попала в глаза, то дополнительно обратитесь за медицинской помощью. Жидкость, вытекающая из аккумуляторной батареи, может вызвать раздражение или ожоги.



- Не используйте зарядное устройство вне помещений.
- Не заряжайте батареи, которые не допускают повторной зарядки.
- Не оставляйте инструменты рядом с открытым огнем или источниками тепла.
- Не производите зарядку в местах, где слишком жарко или холодно. Зарядка лучше всего происходит при нормальной комнатной температуре.
- Не деформируйте, не роняйте инструменты и не наносите им повреждений. Не используйте инструмент, который падал с высоты или получил сильный удар.
- Аккумуляторная батарея может взорваться в присутствии источника возгорания, например, постоянно включенной горелки. Чтобы снизить риск серьезного телесного повреждения, никогда не используйте какие-либо инструменты в присутствии открытого пламени. От взорвавшейся аккумуляторной батареи могут разлетаться обломки и химикаты. Если вы подверглись их воздействию, то немедленно промойте пораженное место водой.
- Всегда извлекайте аккумуляторную батарею из инструмента при сборке его составных частей, выполнении регулировок, очистке, во время хранения устройства или когда оно не используется.
- Не ставьте никаких предметов на зарядное устройство для аккумуляторов, а также не устанавливайте зарядное устройство для аккумуляторов на мягкую поверхность, которая может закрыть вентиляционные прорези и привести к чрезмерному внутреннему нагреву. Размещайте зарядное устройство вдали от любого источника тепла.
- Отсоединяйте зарядное устройство для аккумуляторов от электрической розетки перед любой чистой.
- Никогда не пытайтесь подключить два зарядных устройства для аккумуляторов друг к другу.
- Не подвергайте зарядное устройство для аккумуляторов воздействию сильного холода, брызг, а также не погружайте его в воду или в другие жидкости.
- Использование не рекомендованных принадлежностей или не рекомендованных зарядных устройств может привести к опасности возникновения пожара, поражения электрическим током или травмирования людей.
- Не используйте зарядное устройство для аккумуляторов в местах, где температура может достигать или превышать 40 °C. Не заряжайте аккумуляторную батарею при температуре воздуха ниже 4,5 °C или выше 40,5 °C.
- Зарядное устройство для аккумуляторов и аккумуляторная батарея могут становиться теплыми на ощупь во время зарядки; это нормальное состояние, которое не является признаком каких-либо проблем.



ВНИМАНИЕ! Используйте ваш инструмент только со специально предназначенными для него аккумуляторной батареей и зарядным устройством. Напряжение всегда должно соответствовать номинальному значению.



ВНИМАНИЕ! Заряжайте только одобренные тем же производителем батареи, допускающие повторную зарядку. Используйте с вашим изделием только одобренные тем же производителем зарядное устройство и батареи.

Особые правила по технике безопасности

- Прежде чем ввернуть в стену шуруп, в случае любых сомнений выполните проверку с помощью детектора металла / электрического напряжения, чтобы не повредить линии подачи электричества, газа или воды.
- Немедленно выключите устройство, если насадку инструмента заклинит. Будьте готовы реагировать на сильный реактивный крутящий момент, способный породить отдачу.
- Прежде чем положить инструмент, убедитесь в том, что все его подвижные части полностью остановлены.
- Избегайте продолжительных остановок при ввертывании шурупов или сверлении, поскольку это может привести к повреждению аккумуляторной батареи.

ВСКРЫТИЕ УПАКОВКИ

При вскрытии упаковки проверьте наличие всех комплектующих деталей. См. чертежи к данному руководству. При отсутствии или неисправности каких-либо деталей обратитесь в центр обслуживания IVT.

ЗАМЕНА НАКОНЕЧНИКА [F1]

Устанавливайте переключатель направления вращения (2) в центральное положение всякий раз, когда производите любые работы на инструменте (например, при замене наконечника, техническом обслуживании и т.п.).

- Беспроводной инструмент оснащен бесключевым сверлильным патроном (8) с автоматическим остановом шпинделя.

- Откройте бесключевой сверлильный патрон (8). Патрон должен быть открыт достаточно широко, чтобы удерживать насадку инструмента (сверло или наконечник отвертки).
- Выберите подходящую насадку инструмента. Вставьте насадку инструмента как можно глубже в отверстие патрона.
- Затяните бесключевой сверлильный патрон (8), а затем проверьте надежность фиксации насадки инструмента.

Работа в режиме шуруповерта

Мы рекомендуем применять самоцентрирующиеся винты, предназначенные для надежной работы. Убедитесь в том, что используемый наконечник соответствует винту по форме и размеру. Отрегулируйте крутящий момент, как описано в другом разделе этого руководства по эксплуатации, чтобы он соответствовал размерам винта.

ПРОЦЕДУРА ЗАРЯДКИ [F3]

ПРЕДОСТЕРЕЖЕНИЕ! Производите подзарядку аккумуляторной батареи (4) только с помощью зарядного устройства для аккумуляторов (5), рекомендованного изготовителем. Зарядное устройство, которое пригодно для аккумуляторной батареи одного типа (4), может создавать опасность пожара при использовании с другой аккумуляторной батареей (4). Использование не рекомендованных принадлежностей или не рекомендованных зарядных устройств может привести к опасности возникновения пожара, поражения электрическим током или травмирования людей.



ВНИМАНИЕ! Будьте осторожны при обращении с аккумуляторной батареей (4), срок службы которой истекает. Если вы заметили ухудшение функционирования инструмента или существенное сокращение времени между зарядками, то пора заменить аккумуляторную батарею (4). Невыполнение этого требования может привести к неисправной работе инструмента или повреждению зарядного устройства для аккумуляторов (5).



УСТАНОВКА АККУМУЛЯТОРНОЙ БАТАРЕИ (4) [F3]

- Чтобы установить аккумуляторную батарею (4), совместите аккумуляторную батарею (4) с гнездом и вставьте ее в инструмент до фиксации по месту. Не применяйте силу.
- Чтобы извлечь аккумуляторную батарею (4), нажмите на кнопку выброса батареи (7) и вытащите аккумуляторную батарею (4) из инструмента.

РЕГУЛИРОВКА КРУТЯЩЕГО МОМЕНТА [F4]

Этот инструмент имеет ступенчатый регулятор крутящего момента (1), чтобы исключить повреждение головок винтов или наконечников насадки.

Всегда выбирайте для работы соответствующую настройку крутящего момента. Правильная величина крутящего момента зависит от типа и твердости материала, от типа и длины винтов, от конкретных рабочих требований.



ВНИМАНИЕ! Инструмент должен быть полностью остановлен во время регулировки крутящего момента.

- Для применения в качестве шуруповерта поворачивайте регулятор крутящего момента (1) от минимальной (винты проворачиваются с малым усилием) до максимальной доступной настройки крутящего момента (винты проворачиваются с большим усилием). Если настройка регулятора крутящего момента не подходит для конкретного винта, то продолжайте регулировку до получения надлежащего крутящего момента.
- Для применения в качестве дрели поверните регулятор крутящего момента (1) до ступени сверления. При такой настройке муфта скольжения неактивна, а крутящий момент максимальный.

ВКЛЮЧЕНИЕ / ВЫКЛЮЧЕНИЕ [F5]

Включение

Нажмите на двухпозиционный переключатель «вкл.-выкл.» (3).

Выключение

Отпустите двухпозиционный переключатель «вкл.-выкл.» (3).



БЕСС ТУПЕНЧАТАЯ РЕГУЛИРОВКА СКОРОСТИ



Изменение оборотов от 0 до максимума, зависит от силы нажатия на кнопку (3).

ИЗМЕНЕНИЕ НАПРАВЛЕНИЯ ВРАЩЕНИЯ [F6]



ПРЕДУПРЕЖДЕНИЕ! Действуйте переключателем направления вращения (2) только в неподвижном состоянии инструмента.

Направление вращения инструмента можно изменять переключателем направления вращения (2) (когда находится в действии двухпозиционный переключатель «вкл.-выкл.» (3), переключатель направления вращения (2) заблокирован).

Вращение вправо (вперед)

Нажимайте на переключатель направления вращения (2), пока он не дойдет вправо до упора (для сверления, ввертывания шурупов и т.д.).

Вращение влево (в обратном направлении)

Нажимайте на переключатель направления вращения (2), пока он не дойдет влево до упора (для ослабления и вывертывания шурупов и гаек).

СЕЛЕКТОР СКОРОСТИ (6) [F7]

С помощью селектора скорости (6) вы можете переключаться с первой передачи на вторую передачу, так что вы можете работать на повышенной или на пониженной скорости.

Во избежание повреждений вам следует переключать передачи только на остановленном инструменте.

СВЕТОДИОДНАЯ ЛАМПА (9)

Светодиодная лампа (9) может использоваться в условиях плохого освещения для подсветки участка, где вы хотите ввернуть винт. Светодиодная лампа (9) будет загораться автоматически при нажатии на двухпозиционный переключатель «вкл.-выкл.» (3).

ОБСЛУЖИВАНИЕ И ХРАНЕНИЕ



ОСТОРОЖНО! Прежде чем начать работу с инструментом, извлеките аккумуляторную батарею.

- Содержите инструмент и вентиляционные отверстия (при наличии) в чистоте. Регулярная очистка и обслуживание гарантируют высокую эффективность и продолжительную эксплуатацию инструмента.
- В случае выхода из строя, несмотря на соблюдение всех правил эксплуатации и опробования инструмента, ремонт должен выполняться в официальном сервисном центре IVT.
- Все гайки, болты и винты должны быть плотно затянуты.
- Замените поврежденные или изношенные детали.
- Используйте только оригинальные запчасти. Детали, изготовленные сторонним производителем, прилегают неплотно и повышают риск возникновения травм.
- Храните инструмент в сухом недоступном для детей месте, на безопасном расстоянии от легковоспламеняющихся материалов.
- Избегайте попадания воды на инструмент!

ЗАЩИТА ОКРУЖАЮЩЕЙ СРЕДЫ



Отправляйте мусор и отходы на переработку!

Инструмент, дополнительные приспособления и упаковку следует отправить на экологически безопасную переработку.

Пластиковые элементы имеют отметку о возможности классифицированной переработки. Настоящая инструкция напечатана на вторичной бумаге, не содержащей хлор.



ВНИМАНИЕ! ПРОИЗВОДИТЬ РЕМОНТ ИЗДЕЛИЯ САМОСТОЯТЕЛЬНО И ПЫТАТЬСЯ СКРЫТЬ ЕГО СЛЕДЫ СОВЕРШЕННО НЕДОПУСТИМО! Только авторизованный IVT Сервис-Центр имеет право на проведение ремонта и расширенного технического обслуживания. Внесение изменений во внутреннее устройство изделия запрещено! ТАКИЕ ДЕЙСТВИЯ НЕ ТОЛЬКО ЯВЛЯЮТСЯ ОСНОВАНИЕМ В ОТКАЗЕ ОТ ГАРАНТИЙНЫХ ОБЯЗАТЕЛЬСТВ, НО И МОГУТ ПОСЛУЖИТЬ ПРИЧИНОЙ ПОВРЕЖДЕНИЙ И СЕРЬЕЗНЫХ УВЕЧИЙ.

ҚҰРАЛДЫҢ СИПАТТАМАСЫ

Үлгі	CSD Li-14.4G-RC
Аккумулятор батареясының қысымы [В - Ah]	14.4 - 1.3
Батарея түрі	Li-ion
Қуаттандыру мерзімі [сағат]	3 - 4
Жүктемесіз айналу жиілігі [айн/мин]	0-400 / 0-1450
Максималды айналу мерзімі [Нм]	27
Айналу мерзімі құрылымы	18+1
Тесіктің ең үлкен диаметрі [мм]	10
Бұрғылаудың ең үлкен диаметрі (болат бойынша) [мм]	10
Бұрғылаудың ең үлкен диаметрі (ағаш бойынша) [мм]	25
Бұрғылаудың ең үлкен диаметрі (металл бойынша) [мм]	10
Тербеліс деңгейі [м/с ²]	2.5 (K=1.5)
Дыбыс қысымының деңгейі [дБ(A)]	77 (K=3)
Дыбыс қуатының деңгейі [дБ(A)]	88 (K=3)
Салмақ [кг]	0.925
Салмақ (+ Аккумулятор батареясы) [кг]	1.215
Қауіпсіздік санаты (аккумуляторға арналған қуаттандыру құрылғысы)	II

ҚОСАЛҚЫ БӨЛШЕКТЕРДІҢ ТІЗБЕСІ

1. Айналу мерзімін реттеуші
2. Айналу бағытын айырып-қосқыш
3. «Қосу-ажырату» екіпозициялы айырып-қосқышы
4. Аккумулятор батареясы
5. Аккумуляторға арналған қуаттандыру құрылғысы
6. Жылдамдық селекторы
7. Батареяны шығару батырмасы
8. Кілтісіз бұрғылау патроны
9. Жарықдиодты шам

ҚОРАПТЫҢ ІШІНДЕГІСІ

Нұсқаулық (1 дана), аккумулятор батареясы (1 дана), аккумуляторға арналған қуаттандыру құрылғысы (1 дана).

ҚОЛДАНЫЛУЫ

Бұл құрал бұрандаларды бұрап бекіту және бұрап босатуға, сондай-ақ ағаш, металл, керамика және пластмассаларды бұрғылауға арналған.

ҚОЛДАНУ КЕЗІНДЕГІ ТЕХНИКАЛЫҚ ҚАУІПСІЗДІК

Қауіпсіздіктің жалпы ережелері

Қауіпсіздік техникасы бойынша келесі нұсқаулықтар құралды дұрыс қолдануға және дербес қауіпсіздікті қамтамасыз етуге көмектеседі. Сондықтан оларды мұқият оқып шығыңыз.

Аталмыш құралды үшінші тұлғаға беру барысында қауіпсіздік техникасы жөніндегі осы нұсқаулықты да бірге беру керек.

Осы нұсқаулықты және жеткізілетін кешен құрамына кіретін басқа да әдебиеттерді сақтап қойыңыз.

Қауіпсіздік техникасын және құралда көрсетілген қауіпсіздік ережелерін сақтаңыз.

Жұмысты бастамас бұрын құралдың басқару бөлшектерімен танысыңыз, бірақ ең алдымен жедел тоқтату амалдарымен танысыңыз.

Аталған қарапайым ережелерді сақтау сіздің құралыңыздың үнемі жұмысқа жарамдылығын қамтамасыз етуге мүмкіндік береді.

- Пайдалану алдында құралды дұрыс жинақтау қажет.
- Құралды тек мақсаты бойынша ғана пайдаланыңыз.
- Сонымен қатар, құралда қорғаныш жабдықтарды



пайдалану жөніндегі ескерту жазбалары мен сілтемелері болуы мүмкін, оларды да оқып шығу қажет. Сақтық, тәжірибелілік, ойластырылғандық, жұмысқа тиісті қатынас және құралды қолдану, тасымалдау, қызмет көрсету және сақтауға қатынастың тұлғалардың тиісті дайындығы келеңсіз оқиғалардың алдын алуға мектеседі.

- Құралды қараусыз қалдырмаңыз.
- Құралды балалардың пайдалануына жол бермеңіз. Балалардың құралман ойнауына жол бермеңіз.
- Жұмыс алаңына жақын жерде балалардың және жануарлардың болуына жол бермеңіз. Бөгде адамдар жұмыс істеп тұрған құралдан қауіпсіз қашықтықта болуы керек.
- Құралмен жұмыс жасау барысында пайдаланушы үшінші тұлғалар үшін жауапкершілік тартпайды.
- Қолдану жөніндегі осы нұсқаулықпен таныспаған тұлғалар, құралды пайдалануға болатын жасқа жетпеген, кәмелеттік жасқа толмаған балалар, сондай-ақ ішімдікке немесе есірткіге мас күйдегі тұлғалар, медициналық дәрмек әсеріндегі адамдар құралмен жұмыс жасауға рұқсат ала алмайды. Оператордың жасы жергілікті нормативтік актілермен тағайындалады.

АБАЙЛАҢЫЗ! Алкоголь, кейбір дәрілік препараттар және есірткілік заттар, сондай-ақ ыстық көтерілу және қалжырау сияқты денсаулық күйлері реакция жылдамдығын төмендетеді. Аталмыш құралды жоғарыда аталған жағдайларда пайдаланбаңыз.



- Барлық қорғаушы жабдықтардың (егер болса) дұрыс орнатылғандығына және олардың жұмысқа жарамды екендігіне көз жеткізіңіз.
- Құралды қорғаушы жабдықтарсыз пайдаланбаңыз (егер болса), немесе ол зақымданған болса пайдаланбаған абзал.
- Құралдың бекітілмей қалған бөлшектерін (сақиналар, болттар, бұрамалар және т. б.) немесе ақауларын тексеріңіз. Құрал жұмысының қауіпсіздігін қамтамасыз ету үшін болттар мен бұрандалардың (егер болса) жақсы бұралғандығын әлсін-әлсін тексеріп отырыңыз. Қажет болса құралды пайдалану алдында зақымданған не ақаулы бөлшектерді жөндеңіз немесе алмастырыңыз. Ақаулы құралды пайдалану кезінде операторға немесе маңайдағы бөгде тұлғаларға ауыр жарақаттар салынуы мүмкін.
- Жұмыс үшін арнайы киімді пайдаланыңыз. Кең киім, әшекейлер, әшекей бұйымдары құралдың қозғалмалы бөліктеріне ілініп қалуы мүмкін. Сәйкес келетін арнайы киімдер киіңіз. Ұшатын қалдық

заттардан аяғыңыз бен табаныңызды қорғаңыз. Жалаң аяқ немесе үсті ашық аяқ киім киіп жұмыс істемеңіз. Ұзын шашты артыңызға жинаңыз.

- Тұтқалар мен тұтқыштарды таза және құрғақ етіп ұстаңыз.
- Сәйкес келетін қорғаушы жабдықтарды пайдаланыңыз. Қорғаушы кезәйнектер мен саусаққаптарды қолданыңыз. Ұнтақтармен немесе шығарылатын газ ортасында жұмыс жасау барысында шаңға қарсы респираторды пайдаланыңыз. Қажет болған жағдайда табаны сырғанамайтын аяқ киім, дулыға немесе құлаққа арналған тығындарды қолданыңыз. Егер шу деңгейі 85 дБ(А) артық болса, міндетті түрде қорғаушы құлаққаптарды пайдаланыңыз.



АБАЙЛАҢЫЗ! Жеке бас қорғаныс құралдарын пайдаланыңыз! Қорғаушы жабдықтар мен ЖҚҚ сіздің денсаулығыңыз бен маңайыңыздағылардың денсаулығының қорғанысын қамтамасыз етеді, сондай-ақ құралдың үзіліссіз жұмысына кепілдік береді.

- Құрал кері бұрылған болса немесе жұмысқа жарамсыз күйде болса, оны іске қоспаңыз.
- Жұмыс барысында тұрақты қалыпты сақтаңыз. Үнемі тепе-теңдікті сақтаңыз.
- Жұмыс алаңында тазалықты сақтаңыз. Қоршалған алаңдарда жарақаттану қаупінің жоғары деңгейі байқалады. Құралды пайдаланбас бұрын жұмыс алаңынан барлық бөгде заттарды алып тастаңыз, жұмыс барысында құралдың астына бөгде заттардың түсуіне жол бермеңіз.
- Құралды шамадан тыс қыздырмаңыз.
- Құралды күндізгі жарықта немесе жақсы жасанды желдету кезінде пайдаланыңыз. Құралды нашар көріну жағдайында пайдаланбаңыз.
- Құралды құлатпаңыз, құралдың қандай да бір кедергілермен қақтығысуына жол бермеңіз.

АБАЙ БОЛЫҢЫЗ! Абай болыңыз. Жұмыс барысын бақылап отырыңыз. Алаңдай отырып, құралды басқаруды жоғалтып алу мүмкін. Жұмысқа дайындықпен кірісіңіз.

Сымсыз құралдармен жұмыс жасау кезіндегі қауіпсіздік техникасы ережелері

НАЗАР АУДАРЫҢЫЗ! Сымсыз құралдарды қолдану барысында электр тоғының соққысын болдырмау және жеке бастың жарақаттану

оқиғасына жол бермеу мақсатында техникалық қауіпсіздік бойынша мынадай ережелерді сақтау керек. Құралды қолданар алдында осы нұсқаулықтарды оқып шығыңыз және мұқият қадағалаңыз.

- Сымсыз құралдарды тез тұтанатын сұйықтықтарға және газдарға жақын жерде пайдаланбаңыз.
- Сымсыз құралдарды жаңбыр кезінде немесе ылғалдылық жоғары болатын ортада пайдаланбаңыз. Жұмыс орнын құрғақ ұстаңыз, жарықтандырудың жақсы болуын қамтамасыз етіңіз. Құралды ылғалдан сақтаңыз. Құралды ашық кеңістікте түнде қалдырмаңыз.
- Құралдың өздігінен қосылуын болдырмаңыз. Құралға аккумуляторды қосар алдында ажыратқышты (егер болса) «off» (сөнд.) қалпында екендігіне көз жеткізіңіз.
- Құралды іске қосу алдында ондағы барлық кілттер мен орнату бөлшектерін алып тастаңыз.
- Жарамсыз ажыратқышы бар құралды пайдаланбаңыз. Ажыратқышы жарамсыз құрал күйіпті және жөндейді талап етеді.



НАЗАР АУДАРЫҢЫЗ! Кейде сымсыз құралдарды пайдаланған кезде құрамында ісік ауруын тудыратын химиялық заттар бар шаң қалыптасады.

Осындай химиялық заттарға мыналар жатады: қорғасынды әктеуіштер құрамындағы қорғасын, кірпіш пен цементтің құрамына кіретін кварц, химиялық реагенттермен өңделген араланушы материалдар құрамындағы күшән және хром, басқа да зиянды заттар. Аталған химиялық заттардың әсер ету қаупі олармен жұмыс жасау жиілігіне байланысты.

Олардың зиянды әсерін төмендету үшін жақсы желдетілетін жерде жұмыс істеңіз және қолдану үшін бекітілген ЖҚҚ, мысалы, микроскопиялық бөлшектерді сүзуге арналған шаңға қарсы респираторларды пайдаланыңыз.

- Құралдың астына бөгде заттар түскен жағдайда құралдың ақаусыз екендігін тексеріңіз және қажетті жөндеу жұмыстарын жүзеге асырыңыз.
- Шамадан тыс діріл пайда болса жедел арада қозғалтқышты сөндіріңіз және себебін анықтаңыз. Діріл едетте ақаудың белгісі болып табылады.
- Жұмыс орнынан кетпес бұрын, құралды жөндеу, тексеру немесе тазарту алдында оны сөндіріңіз және толығымен тоқтағанша күте тұрыңыз.
- Құралдың ішкі бөлшектерін алып тастауға немесе өзгертуге тыйым салынады.

Аккумуляторды пайдалану кезіндегі қауіпсіздік ережелері



ЕСКЕРТУ! Қуаттандыру құрылғысына тек өзіне арналып шығарылған аккумулятор батареясын пайдаланыңыз. Басқа кез келген аккумулятор батареяларын пайдалану салдары жарақатқа немесе өртке соқтыруы мүмкін.



НАЗАР АУДАРЫҢЫЗ! ЭЛЕКТР ТОҒЫМЕН ЗАҚЫМДАНУ ҚАУПІ БАР! Құралдарды жаңбырдың астына тастамаңыз. Құралдарды жоғары ылғалдылықта пайдаланбаңыз. Құралдарды дымқылданып немесе құрғап кетуден сақтауға тырысыңыз. Құралдарға су тиген жағдайда электр тоғымен зақымдану қаупі күшейеді.



АЛДЫН АЛА САҚТАНУ! Электр құрауыштарын ұстаған жағдайда электр тоғына немесе өртке күйіп, арты өлімге әкелуі мүмкін.

- Аккумулятор батареясы бар құралдарды электр желісінің розеткасына қосудың қажеті жоқ, сол себепті олар үнемі жұмыс күйінде тұрады. Құрал қолданылмаған жағдайда немесе оның орнын басқа қажеттілік атқарған жағдайда қауіп болуы мүмкін екенін есте сақтаңыз.
- Қуат қысымы жапсырмада және осы нұсқаулықта көрсетілген мөлшерге сәйкес келуі керек. Басқа қорек көзін пайдаланбаңыз.
- Аккумуляторға арналған қуаттандыру құрылғысының электрқоректендіру сымы зақымданып қалудан сақтау үшін сым өндірішпен, оның негізімен немесе өзге де ұқсас уәкілетті тұлғамен алмастырылуы тиіс.
- Қуаттандыру құрылғысын орнынан қозғалту үшін ешуақытта сымынан тартпаңыз.
- Аккумуляторға арналған қуаттандыру құрылғысының сымын бұрыс пайдалануға жол бермеңіз. Оны қызып кетуден, майдан, қатты заттардан немесе қозғалғыш бөлшектерден сақтаңыз.
- Құралдар қолданылмай тұрған кезде, оларды жалғауға кедергі келтіретін металл заттардан, мысалы, қағаз скрепкасы, тывин, кілт, шеге, бұранда немесе тағы сол сияқты ұсақ метал заттардан алшақ ұстаңыз. Батарея жалғауының қысқа тұйықталып



қалуы кюю, өрт шығу салдарын туғызуы мүмкін.

- Бұрыс пайдаланған жағдайда аккумулятор батареясынан сұйықтық шығып кетуі мүмкін. Егер мұндай жағдай оқыс орын алса, зақымданған жерді сумен жуыңыз. Егер сұйықтық көзіңізге тиіп кетсе, қосымша медициналық көмекке жүгініңіз. Аккумулятор батареясынан аққан сұйықтық денені тітіркендіріп, күйдіріп жіберуі мүмкін.

- Қуаттандыру құрылғысын ғимараттар сыртында пайдаланбаңыз.

- Қайта қуаттандыруға болмайтын батареяларды қуаттамаңыз.

- Құралдарды ашық оттың немесе жылу көзінің жанына қалдырмаңыз.

- Қатты ыстық немесе қатты салқын жерде қуаттандыруды жүзеге асырмаңыз. Қуаттандыруды қалыпты белме температурасында істеу әлдеқайда дұрыс.

- Пішінін өзгертпеңіз, қолыңыздан түсіріп алмаңыз немесе оған мақсатты түрде зақым келтірмеңіз. Жоғарыдан құлаған немесе қатты соққыға ұшыраған құралды қолданбаңыз.

- Аккумулятор батареясы жану көзі, мысалы, үнемі қосулы тұратын жанарғы жанында орналасқан жағдайда, жарылыс тудыруы мүмкін. Ауыр дене жарақаты қауіптің алдын алу үшін, кез келген құралды ашық жалын айналасында ешқашан пайдаланбаңыз. Егер аккумулятор батареясы жарылса, одан сынықтар мен химикаттар шашырауы мүмкін. Зақымданған жағдайда, жарақат орнын тез арада сумен шайыңыз.

- Құрылғының құрамдас бөлшектерін жинау кезінде, оны күйге келтіргенде, тазалау кезінде, құрылғыны сақтау немесе ол пайдаланылмаған кезде, аккумулятор батареясын әрқашан құрылғыдан шығарып қойыңыз.

- Аккумуляторды қуаттандыру құрылғысына ешнәрсе қоймаңыз, сондай-ақ аккумуляторды қуаттандыру құрылғысын жұмсақ бетке қоймаңыз, бұл желдеткіш тесіктерін бітеп, құрылғының шамадан тыс іштен қызып кетуіне әкелуі мүмкін. Қуаттандыру құрылғысын кез келген жылу көзінен алшақ ұстаңыз.

- Кез келген тазалық шарасының алдында аккумуляторды қуаттандыру құрылғысын қуат көзінен ажыратыңыз.

- Ешқашан екі аккумуляторды қуаттандыру құрылғысын бір-біріне жалғамаңыз.

- Аккумуляторды қуаттандыру құрылғысын қатты суықтан сақтаңыз, сондай-ақ су шашырауынан немесе суға не өзге сұйықтарға батудан сақтаңыз.

- Рұқсат етілмеген бұйымдарды немесе тыйым салынған қуаттандыру құралдарын пайдалану өрт, электр тоғымен зақымдану немесе қандай да бір жарақатқа әкеліп соғуы мүмкін.

- Аккумуляторды қуаттандыру құрылғыларын ауа температурасы 40 °C-қа жететін немесе одан да

жоғары болатын жерде қолданбаңыз. Аккумулятор батареясын ауа температурасы 4,5 °C-тан төмен немесе 40,5 °C-тан жоғары жерде қуаттандырмаңыз.

- Аккумуляторды қуаттандыру құрылғысы мен аккумулятор батареясы қуаттандыру кезінде, аздап қызуы мүмкін; бұл қалыпты жағдай және ешқандай ақаудың белгісі болып табылмайды.



НАЗАР АУДАРЫҢЫЗ! Құралды тек өзінің арнайы аккумулятор батареясы және қуаттандыру құрылғысымен ғана қолданыңыз. Кернеу көрсетілген мәніне сәйкес болуы тиіс.



НАЗАР АУДАРЫҢЫЗ! Тек қана өндірушімен рұқсат етілген, қайта қолдануға болатын арнайы батареяларды пайдаланыңыз. Сондай-ақ қуаттандыру құралдары да өндірушілер тарапынан рұқсат етілген болуы тиіс.

Қауіпсіздік техникасы бойынша ерекше ережелер

- Бұрама шегені бұрап кіргізбес бұрын, қандай да күмән туған жағдайда электр тоғы, газ немесе су тасымалы желілерін зақымдап алмау үшін, металл/электр кернеуі детекторы көмегімен тесеріп алыңыз.

- Құрал қондырғысы қатып қалған жағдайда, бірден құрылғыны сөндіріңіз. Кері соғуды тудыратын қатты, жоғары жылдамдықтағы айналу сәтіне дайын болыңыз.

- Құралды қоймас бұрын, оның барлық қозғалмалы бөліктері толығымен тоқтағанына көз жеткізіңіз.

- Бұранда шегелерді бұрап кіргізу немесе бұрғылау кезінде, құралды үздіксіз ажыраудан сақтаныңыз, өйткені бұл аккумулятор батареясына зақым келтіруі мүмкін.

ҚОРАПСЫЗДАНДЫРУ

Қаптан алу кезінде барлық бөлшектердің түгел екендігіне көз жеткізіңіз. Соңғы беттегі жинақтау сызбасын қараңыз. Қандай да болмасын бөлшектер бомаған жағдайда немесе ақаулы болған жағдайда ІВТ қызмет көрсету орталығына жүгініңіз.

ҰШЫН АУЫСТЫРУ [F1]

Құралмен қандай да бір жұмыс жасаған кезде, айналу бағытын өзгертуге арналған ауыстырып-қосқышты (2) орталық қалыпқа келтіріп қойыңыз (мысалы, ұшын ауыстыру, техникалық қызмет

көрсету және т.б.).

- Сымсыз құрал автоматты шпиндель тоқтатқышы бар, кілтсіз бұрғылау патронымен (8) жабдықталған.
- Кілтсіз бұрғылау патронын (8) ашыңыз. Құралдың қондырғысын (бұрғы немесе бұрағыш басы) ұстап тұру үшін, патрон жеткілікті деңгейде ашық болуы тиіс.
- Құралдың қажетті қондырғысын таңдап алыңыз. Қондырғыны патрон тесігіне мүмкіндігінше тереңірек орнатыңыз.
- Кілтсіз бұрғылау патронын (8) тарттырыңыз, содан соң құрал қондырғысының берік орнатылғанына көз жеткізіңіз.

Бұрап бекіткіш режиміндегі жұмыс

Біз сенімді жұмыс үшін, өздігінен центрленетін бұрандаларды қолдануға кеңес береміз. Қолданылатын ұштың бұрандаға пішіні мен өлшемі бойынша сәйкес келетініне көз жеткізіңіз. Айналу уақытын бұранда өлшеміне сәйкес келу үшін, осы қолдану бойынша нұсқаулықта көрсетілгендей етіп реттеңіз.

ҚУАТТАНДЫРУ ТӘРТІБІ [F2]



ЕСКЕРТУ! Аккумулятор батареясын (4) өндіруші рұқсат еткен қуаттандыру құрылғысымен ғана қуаттандырыңыз (5). Белгілі бір түрдегі (4) аккумулятор батареяларын қуаттандыру құрылғысын басқа аккумулятор батареясын (4) қуаттандыруда қолдану өрт қаупін тудыруы мүмкін. Ұсынылмаған жабдықтар немесе ұсынылмаған қуаттандыру құрылғысын қолдану өрт қаупін, электр тогымен зақымдану немесе адамдардың жарақаттануына әкеліп соғуы мүмкін.



НАЗАР АУДАРЫҢЫЗ! Қолданыс мерзімі аяқталған аккумулятор батареясын (4) абайлап қолданыңыз. Егер сіз құрал қызметінің нашарлауын немесе қуаттандыру қажеттілігінің жиілеуін байқасаңыз, бұл аккумулятор батареясын (4) ауыстыру қажет екенін білдіреді. Айтылған нұсқау орындалмаған жағдайда, құрал жұмысында ақау пайда болып немесе аккумуляторды (5) қуаттандыру құрылғысына зақым келуі мүмкін.

АККУМУЛЯТОР БАТАРЕЯЛАРЫН ҚОНДЫРУ (4) [F3]

- Аккумулятор батареяларын (4) қондыру үшін аккумулятор батареясын (4) ұяға кіргізіп, құралдың ішіне өз орнына бекігенге дейін қойыңыз. Күш қолданбаңыз.
- Аккумулятор батареясын (4) алу үшін батареяны шығару батырмасын (7) басып, аккумулятор батареясын (4) құралдан шығарып алыңыз.

АЙНАЛУ УАҚЫТЫН РЕТТЕУ [F4]

Бұл құрал айналу уақытының (1) сатылы реттеуішіне ие, ол бұранда бастары немесе қондырғы ұштарын зақымданудан қорғайды. Жұмыс жасар алдында айналу уақытын сәйкес күйге келтіріп алыңыз. Айналу уақытының дұрыс мөлшері материалдың түрі мен қаттылығына, бұрандалардың түрі мен ұзындығына және нақты талаптарға сәйкес анықталады.



НАЗАР АУДАРЫҢЫЗ! Айналу уақытын реттеу кезінде құрал толықтай тоқтатылған күйде болуы тиіс.

- Бұрап бекіткіш режимін орнату үшін, айналу уақыты реттеуішін (1) айналу уақыты күйге келтіруін минимал мәннен (бұрандалар аз күшпен бұратылады) мүмкін максимал мәнге (бұрандалар жоғары күшпен бұратылады) дейін бұраңыз. Егер айналу уақытының реттеуішінің күйге келтірулері нақты бұрандаға сәйкес келмесе, қажет айналу уақыты күйіне келтіргенше реттеуді жалғастырыңыз.
- Бұрғы ретінде қолдану үшін, айналу уақыты реттеуішін (1) бұрғылау сатысына ауыстырыңыз. Мұндай реттеулерде сырғу жалғастырғышы белсенді болмайды, ал айналу уақыты максимал мәнді иеленеді.

ҚОСУ / АЖЫРАТУ [F5]

Қосу

«Қосу-ажырату» екіпозициялы айырып-қосқышын (3) басыңыз.

Ажырату

«Қосу-ажырату» екіпозициялы айырып-қосқышын (3) жіберіңіз.

ЖЫЛДАМДЫҚТЫ САТЫСЫЗ РЕТТЕУ



Айналымның 0-ден ең жылдам айналымға өзгеруі (3) түймені басу күштілігін.



АЙНАЛУ БАҒЫТЫН ӨЗГЕРТУ [F6]



ЕСКЕРТУ. Айналу бағытын (2) айырып-қосқышын тек құрал қозғалыссыз күйде тұрғанда жүзеге асырыңыз.

Құралдың айналым бағытын айналым бағытын айырып-қосқышпен (2) өзгертуге болады («қосу/ажырату» екіпозициялы айырып-қосқышы (3) іске қосылып, ал айналым бағытын айырып-қосқыш (2) бұғатталып тұрған кезде).

Оңға айналу (алға)

Айналым бағытын айырып-қосқышын (2) оңға тіреліп қалғанға дейін басып тұрыңыз (бұрғылау, бұранда шегені бұрау үшін және т.б.)

Солға айналу (кері бағытта)

Айналым бағытын айырып-қосқышын (2) ол солға қарай тірелгенше (бұрандалы шеге мен сомын босап, бұралып шыққанша) басып тұрыңыз.

ЖЫЛДАМДЫҚ СЕЛЕКТОРЫ (6) [F7]

Жылдамдық селекторы (6) көмегімен бірінші берілістен екінші беріліске ауыса аласыз, сол себепті жоғары және төмен жылдамдықта жұмыс жасай аласыз.

Қандай да зақымданудан сақтану мақсатында берілісті құрал сөндірулі кезде ғана ауыстырған жөн.

ЖАРЫҚДИОДТЫ ШАМ (9)

Жарықдиодты шам (9) сіз бұранданы бұрап кіргізгіңіз келген жерде нашар жарықтандыру болған жағдайда жарық қызметін атқара алады. Жарықдиодты шам (9) «қосу-ажырату» екіпозициялы ауыстырып-қосқышын басқан кезде, автоматты түрде жанады. (3).

ҚЫЗМЕТ КӨРСЕТУ ЖӘНЕ САҚТАУ



АБАЙ БОЛЫҢЫЗ! Құралмен жұмысты бастау алдында аккумуляторды алып шығыңыз.

- Құралды және желдеткіш саңылауларын (егер болса) тазалықта ұстаңыз. Үнемі тазарту және қызмет көрсету құралдың жоғары тиімділігін және ұзақ уақыт қолданылуын кепілдейді.
- Өндіріс пен сынаудың мінсіз шарттарына қарамастан, істен шыққан жағдайда, жөндеу жұмыстары IVT ресми орталықтарында жүргізілуі керек.
- Барлық сақиналар, болттар және бұрамалар мұқият бұралуы керек.
- Ақауланған немесе тозған бөлшектерді алмастырыңыз.
- Тек түпнұсқалық қосалқы бөлшектерді ғана пайдаланыңыз. Басқа тараптық өндіруші дайындаған бөлшектер нақты сай болмайды және жарақаттану қаупін жоғарылатады.
- Құралды құрғақ әрі балалардың қолы жетпейтін жерде, тез тұтанатын материалдардан қауіпсіз қашықтықта сақтаңыз.
- Құралға су тигізбеңіз!

ҚОРШАҒАН ОРТАНЫ ҚОРҒАУ




Қалдықты болдырмау мақсатында шикізатты қайта қолдану!

Құралды, қосымша жабдықтарды және қаптаманы экологиялық таза жолмен қайта өңдеуге жіберу керек.

Пластикалық бөлшектер классификациялық қайта өңдеуге жіберіледі.

Осы нұсқаулықтар хлор пайдаланбай дайындалған екінші өңделім қағазына басылған.

 **ҚР аумағында сапа бойынша наразылықтарды қабылдайтын ұйым:** «Костанай DWT/ДБТ» ЖШС | Қостанай қ. Целинная көш., 4 - Қазақстан Республикасы | тел (7142) 28 07 00, -01 | **Организация, принимающая претензии на территории РК: ТОО «Костанай DWT/ДБТ»** | г. Костанай, ул. Целинная, 4 - Республика Казахстан | тел (7142) 28 07 00, -01



НАЗАР АУДАРЫҢЫЗ! БҰЙЫМҒА ӨЗ БЕТІҢІЗБЕН ЖӨНДЕУ ЖҮРГІЗІП, ОНЫҢ ІЗДЕРІН ЖАСЫРУҒА ТЫРЫСУҒА МҮЛДЕМ БОЛМАЙДЫ! Тек қана авторлық құқығы бар қызмет көрсету орталығының жөндеу жүргізуге және қамтылған техникалық қызмет көрсетуге құқығы бар. Бұйымның ішкі құрылымына өзгерістер енгізуге тыйым салынады! МҰНДАЙ ӘРЕКЕТТЕР КЕПІЛДІК МІНДЕТТЕМЕЛЕРДЕН БАС ТARTУҒА НЕГІЗ БОЛЫП ҚАНА ҚОЙМАЙ, СОНЫМЕН ҚАТАР ҚАУІПТІ ЖАРАҚАТ АЛУҒА ЖӘНЕ ЗИЯН КЕЛТІРУГЕ СЕБЕПШІ БОЛУЫ МҮМКІН.

SPECIFICHE TECNICHE

Modello	CSD Li-14.4G-RC
Voltaggio della batteria [V - Ah]	14.4 - 1.3
Tipo di batteria	Li-ion
Tempo di ricarica [h]	3 - 4
Velocità a vuoto [RPM]	0-400 / 0-1450
Coppia massima [Nm]	27
Impostazioni della coppia	18+1
Capacità del mandrino [mm]	10
Capacità di foratura (nell'acciaio) [mm]	10
Capacità di foratura (nel legno) [mm]	25
Capacità di foratura (nel metallo) [mm]	10
Livello delle vibrazioni [m/s ²]	2.5 (K=1.5)
Livello pressione sonora [dB(A)]	77 (K=3)
Livello potenza sonora [dB(A)]	88 (K=3)
Peso [Kg]	0.925
Peso (+ batteria) [Kg]	1.215
Classe di sicurezza (caricabatterie)	II

COMPONENTI

1. Controllo della coppia
2. Commutatore di rotazione
3. Interruttore di accensione / spegnimento
4. Batteria
5. Caricabatterie
6. Selettore della velocità
7. Interruttore di rilascio della batteria
8. Mandrino autoserrante
9. Luce a LED

CONTENUTO DELLA CONFEZIONE

Manuale d'istruzioni (1 pz), batteria (1 pz), caricabatterie (1 pz).

UTILIZZO

Questo strumento è stato progettato per inserire ed allentare le viti, nonché per la foratura del legno, del metallo, della ceramica e della plastica.

NORME DI SICUREZZA PER L'USO

Regole generali di sicurezza

Le seguenti istruzioni di sicurezza servono per il corretto utilizzo dello strumento e per la tutela della propria sicurezza, pertanto si prega di leggere molto attentamente.

Quando si passa questo strumento ad una terza persona, anche queste istruzioni devono essere consegnate.

Conservare questo manuale di istruzioni e tutta la documentazione in dotazione con lo strumento per farvi riferimento in futuro, in caso di bisogno.

Integrare le seguenti norme di sicurezza con le indicazioni riportate sul prodotto.

Prendere confidenza con tutti i pulsanti e i controlli e assicurarsi di conoscere il corretto utilizzo dello strumento prima di iniziare a utilizzarlo, ma soprattutto assicurarsi di sapere come interromperne l'uso in caso di emergenza.

Seguire queste semplici istruzioni contribuirà inoltre a mantenere lo strumento in buone condizioni di lavoro.

- Lo strumento deve essere montato correttamente prima dell'uso.

- Usare lo strumento solamente per gli scopi per cui è stato progettato.

- In aggiunta al prodotto sono state progettate anche delle etichette di sicurezza che devono essere prese in considerazione assieme con le indicazioni in merito all'equipaggiamento di sicurezza che deve essere adottato. La prevenzione di incidenti dipende dalla consapevolezza, dal buon senso e dalla formazione adeguata di tutti i soggetti coinvolti nell'utilizzo, nel trasporto, nella manutenzione e stoccaggio dello strumento.

- Non lasciare mai lo strumento incustodito.
- Non permettere ai bambini di utilizzare lo strumento. I bambini devono essere tenuti sempre sotto



controllo per impedire che giochino con lo strumento.

- Tenere i bambini e gli animali domestici lontano. I terzi devono essere mantenuti a un'opportuna distanza di sicurezza quando lo strumento è in uso. Interromperne l'utilizzo se vi sono nei paraggi altre persone, specialmente bambini o animali domestici.

- L'utente è responsabile per i terzi, mentre lavora con lo strumento.

- Le persone che non conoscono le istruzioni per l'uso, i bambini, i minori che non hanno ancora raggiunto l'età minima per l'utilizzo di questo strumento e le persone sotto l'influenza di alcool, droghe o farmaci non sono autorizzati ad utilizzare lo strumento. Alcune normative locali possono stabilire l'età minima dell'utilizzatore.



ATTENZIONE! Il consumo di alcool, farmaci e droghe, oltre a stati di malattia, febbre e stanchezza possono influenzare la capacità di reagire. Non usare lo strumento in una o più di queste condizioni.

- Assicurarsi che tutti i dispositivi di protezione (se presenti) siano montati correttamente e che siano in buone condizioni.

- Non usare mai lo strumento con i dispositivi di sicurezza o eventuali protezioni (se presenti) difettosi o senza dispositivi di sicurezza correttamente montati.

- Ispezionare bene lo strumento per cercare parti eventualmente allentate (per esempio: dadi, bulloni, viti, etc) e eventuali danni. Controllare a intervalli frequenti, che viti e bulloni siano adeguatamente serrati e che le attrezzature siano in buone condizioni di lavoro. Ripararle o sostituirle, se necessario, prima di utilizzare lo strumento. Gravi lesioni all'operatore e ai presenti possono verificarsi se vi è un danno allo strumento.

- Durante il funzionamento dello strumento, vestirsi adeguatamente. Non indossare abiti larghi o gioielli che potrebbero impigliarsi nello strumento. Indossare indumenti da lavoro adatti. Si raccomanda che le gambe e i piedi siano ben coperti, al riparo da eventuali schegge durante il lavoro. Non utilizzare lo strumento se si è a piedi nudi o con sandali aperti. I capelli lunghi devono essere raccolti dietro la nuca.

- Mantenere tutte le impugnature e i manici asciutti, puliti e privi di olio o grasso.

- Usare dispositivi di protezione. Usare occhiali di protezione e guanti di sicurezza. Indossare anche una mascherina antipolvere durante le operazioni polverulente e se sono presenti gas di scarico. Quando è necessario, indossare anche scarpe robuste e antiscivolo, casco e tappi per le orecchie. Se il livello di rumore supera 85 dB (A), è obbligatoria una protezione acustica.



ATTENZIONE! Utilizzare dispositivi di protezione personale! I dispositivi di sicurezza e le attrezzature di protezione personale proteggono la propria salute e la salute degli altri e garantiscono un funzionamento senza problemi dello strumento.

- Non iniziare ad utilizzare lo strumento se questo è capovolto o non è nella corretta posizione di lavoro.

- Accertarsi di avere una corretta posizione mentre si opera con lo strumento. Mantenere una posizione salda e un buon equilibrio in ogni momento.

- Tenere pulita l'area di lavoro. Prima dell'uso dello strumento, tutti gli eventuali ostacoli devono essere rimossi dalla zona di lavoro; prestare attenzione anche a eventuali corpi estranei durante il lavoro.

- Non forzare lo strumento.

- Lavorare solo alla luce del giorno o comunque in condizioni di sufficiente illuminazione artificiale. Non utilizzare mai lo strumento senza una buona visibilità.

- Fare attenzione a non fare cadere lo strumento o ad urtarlo contro ostacoli.

ATTENZIONE! Mantenere sempre un'attenzione costante. Prestare attenzione a quello che si sta facendo. La distrazione può causare la perdita di controllo. Utilizzare il buon senso.

Regole di sicurezza per dispositivi a batteria

ATTENZIONE! Quando si usano utensili a batteria, le seguenti istruzioni di sicurezza devono essere osservate per prevenire il rischio di lesioni personali e incendio. Leggere e osservare attentamente le istruzioni prima dell'uso.

- Non utilizzare i dispositivi a batteria vicino a liquidi o gas infiammabili.

- Non esporre i dispositivi a batteria alla pioggia e non utilizzarli in luoghi umidi o bagnati. Mantenere la zona di lavoro ben illuminata e asciutta. Evitare che il dispositivo si bagni o sia esposto ad umidità. Non abbandonare l'utensile all'esterno per tutta la notte.

- Evitare qualsiasi avviamento accidentale: assicurarsi che l'interruttore di accensione (se presente) sia spento, prima di collegare la batteria allo strumento.

- Rimuovere le chiavi di regolazione o qualunque tipo di chiave prima di accendere l'utensile.

- Non utilizzare l'utensile se l'interruttore di accensione/spengimento è guasto e non accende o spegne lo strumento. Qualsiasi strumento che non può essere controllato tramite il suo interruttore è pericoloso e deve essere riparato.



ATTENZIONE! Durante l'utilizzo di strumenti a batteria, potrebbero essere prodotte alcune polveri contenenti sostanze chimiche che possono causare il cancro, difetti genetici e altri problemi riproduttivi.

Alcune di queste sostanze chimiche sono: vernici a base di piombo, silice cristallina di mattoni e cemento e altri prodotti per muratura, arsenico e cromo derivanti da legname trattato chimicamente e altri prodotti pericolosi. Se tali polveri sono presenti, il rischio varia in base alla lunghezza dell'esposizione e al tipo di lavoro.

Per ridurre l'esposizione a tali sostanze chimiche, ogni volta che si compiono operazioni polverulente, lavorare in una zona ben ventilata con dispositivi di sicurezza approvati, come le maschere anti-polvere, che sono state appositamente progettate per filtrare anche le particelle microscopiche.

- Se con lo strumento si colpisce un corpo estraneo, esaminare il dispositivo per individuare eventuali danni e procedere con tutte le riparazioni necessarie prima di riavviare e continuare a lavorare.
- Se lo strumento inizia a vibrare in modo anomalo, spegnerlo e cercare di individuare immediatamente la causa. Vibrazioni anomale sono dovute generalmente a malfunzionamenti.
- Spegnerlo sempre il dispositivo e aspettare che esso si sia fermato completamente quando lo si lascia incustodito, prima di fare manutenzione, prima di controllarlo e pulirlo.
- È proibito modificare o rimuovere qualsiasi parte interna del dispositivo.

Norme di sicurezza per la batteria



ATTENZIONE! Utilizzare il caricabatterie solo con batterie ricaricabili esplicitamente previste. L'impiego di altre batterie può portare al rischio di lesioni e incendi.



ATTENZIONE PERICOLO DI SCOSSA ELETTRICA! Non esporre il caricabatterie alla pioggia. Non utilizzare il caricabatterie in luoghi umidi o bagnati. Cercare di evitare che l'unità di ricarica si bagni o sia esposta a umidità. Se entra acqua nell'unità di ricarica si aumenta il rischio di scosse elettriche.



ATTENZIONE! Toccare le parti elettrificate può causare morte per scosse elettriche o bruciate.

- Gli utensili a batteria non devono essere collegati direttamente ad una presa elettrica; pertanto, essi sono sempre in condizione di funzionamento. Tenere presenti gli eventuali rischi quando non si utilizza lo strumento o quando si cambiano gli accessori.
- La tensione di carica deve corrispondere a quella indicata sulle etichette e su questo manuale. Non utilizzare altre fonti di energia.
- Per evitare pericoli, se il cavo di alimentazione del caricabatterie è danneggiato, deve essere sostituito dal costruttore o da un suo agente, o da un'analoga persona qualificata.
- Non spostare mai il caricabatterie tirando i cavi.
- Fare un buon uso del cavo del caricabatterie. Tenere lontano da fonti di calore, olio, bordi taglienti o parti in movimento.
- Quando lo strumento non è in uso, tenerlo lontano da altri oggetti metallici, come graffette, monete, chiavi, chiodi, viti o altri piccoli oggetti metallici, che potrebbero fare da connessione tra un terminale e l'altro. Il corto circuito tra i terminali della batteria può causare ustioni o incendi.
- In caso d'impiego errato potrebbe uscire del liquido dalla batteria; evitare il contatto con il liquido. In caso di contatto accidentale, sciacquare accuratamente con acqua. Rivolgersi immediatamente al medico, qualora il liquido dovesse entrare in contatto con gli occhi. Il liquido fuoriuscito dalla batteria può causare irritazioni cutanee o ustioni.
- Non utilizzare l'unità di ricarica all'aperto.
- Non caricare batterie non ricaricabili.
- Non appoggiare gli strumenti vicino al fuoco o al calore.
- Non caricare in una zona di estremo calore o freddo. Lo strumento funzionerà a temperatura ambiente.
- Non schiacciare, far cadere o danneggiare gli strumenti. Non utilizzare uno strumento che è caduto o ha ricevuto un colpo secco.
- La batteria può esplodere in presenza di una sorgente di accensione, come una fiamma pilota. Per ridurre il rischio di gravi lesioni personali, non utilizzare gli strumenti in presenza di fiamme libere. Una batteria esplosa può rilasciare detriti e sostanze chimiche. Se si viene esposti, sciacquare immediatamente con acqua.
- Rimuovere sempre la batteria dall'utensile durante il montaggio delle parti, durante le regolazioni, la pulizia, la conservazione o quando lo strumento non è in uso.
- Non posizionare alcun oggetto sulla parte superiore del caricabatterie o il caricabatterie stesso su una superficie morbida; potrebbero ostruirsi le fessure di ventilazione e



causare un eccessivo calore interno. Posizionare l'unità di ricarica lontano da qualsiasi fonte di calore.

- Scollegare il caricabatterie dalla presa di corrente prima di eseguire qualsiasi operazione di pulizia.
- Non tentare mai di connettere due caricabatterie insieme.
- Non congelare, spruzzare o immergere il caricabatterie in acqua o altri liquidi.
- L'uso di accessori o unità di ricarica non raccomandati può comportare il rischio di incendi, scosse elettriche o lesioni alle persone.
- Non utilizzare il caricabatterie in luoghi dove la temperatura può raggiungere o superare i 40°C. Non caricare la batteria ad una temperatura dell'aria inferiore a 4,5°C o superiore a 40,5°C.
- Il caricabatterie e la batteria potrebbero diventare caldi al tatto durante la carica; questa è una condizione normale e non indica un problema.

centrale ogni volta che si esegue qualsiasi lavoro (per esempio il cambio della punta, i lavori di manutenzione, ecc.) sullo strumento.

- Lo strumento è dotato di un mandrino autoserrante (8) con arresto automatico.
- Aprire il mandrino autoserrante (8). L'apertura del mandrino deve essere sufficientemente larga per tenere la punta (punta da trapano o punta da giravite).
- Selezionare la punta adatta. Inserire la punta per quanto possibile nell'apertura del mandrino.
- Serrare il mandrino autoserrante (8) e quindi controllare che la punta sia sicura.

Avvitamento

Si consiglia di utilizzare viti autocentranti progettate per un funzionamento affidabile. Assicurarsi di utilizzare una punta che corrisponda alla forma e alla dimensione della vite. Impostare la coppia, come descritto in questo manuale, in base alle dimensioni della vite.



ATTENZIONE! Utilizzare lo strumento solo con la batteria e il caricabatterie appositamente indicati. La loro tensione deve sempre corrispondere.



ATTENZIONE! Caricare solo batterie ricaricabili approvate dallo stesso fornitore. Per il vostro prodotto utilizzare solo caricabatterie e batterie approvate dallo stesso fornitore.

PROCEDIMENTO DI CARICA [F2]



ATTENZIONE! Caricare la batteria (4) solo con il caricabatterie (5) raccomandato dal costruttore. Un'unità di carica adatta ad un tipo di batteria (4) può provocare rischio d'incendio se utilizzata con un'altra batteria (4). L'uso di accessori non raccomandati o un'unità di carica non raccomandata può comportare il rischio di incendi, scosse elettriche o lesioni alle persone.



ATTENZIONE! Fare attenzione a quando la batteria (4) sarà prossima alla fine del suo ciclo di vita. Se si nota una riduzione delle prestazioni degli strumenti o un tempo di funzionamento significativamente più breve tra una ricarica e l'altra, allora è il momento di sostituire la batteria (4). In caso contrario, lo strumento potrebbe funzionare in modo improprio o si potrebbe danneggiare il caricabatterie (5).

Regole di sicurezza specifiche

- Prima di forare o inserire viti in un muro, utilizzare un rilevatore di metallo o un tester per assicurarsi di non forare linee elettriche, del gas oppure tubature dell'acqua.
- Spegnerne immediatamente il dispositivo quando lo strumento si inceppa. Siate preparati all'elevata coppia di reazione che può causare un contraccolpo.
- Prima di riporre l'utensile, assicurarsi che le parti in movimento abbiano cessato di girare.
- Evitare frequenti momenti di stallo durante l'avvitamento o perforazione, in quanto ciò potrebbe danneggiare la batteria.

ESTRARRE DALL'IMBALLAGGIO

Quando si apre la confezione, assicurarsi che tutti i componenti siano inclusi. Consultare le istruzioni su questo manuale. Per eventuali parti mancanti o danneggiate, si prega di contattare l'assistenza IVT.

CAMBIO DELLA PUNTA [F1]

Impostare il commutatore di rotazione (2) in posizione

MONTAGGIO DELLA BATTERIA (4) [F3]

- Per installare la batteria (4), allineare la batteria (4) e farla scivolare nella sede dello strumento fino a che si blocca nella sua posizione. Non forzare.

- Per rimuovere la batteria (4), premere il pulsante di rilascio della batteria (7) e far scivolare la batteria (4) fuori dallo strumento.

CONTROLLO DELLA COPPIA [F4]

Lo strumento è dotato di un controllo di regolazione della coppia (1), al fine di evitare danni alla testa delle viti e alle punte.

Accertarsi sempre di aver selezionato la regolazione di coppia adatta al lavoro che si sta eseguendo.

La coppia corretta dipende dal tipo e dalla durezza del materiale, del tipo e della lunghezza delle viti, nonché dalle specifiche esigenze di lavorazione.



ATTENZIONE! Lo strumento deve essere fermo quando si imposta la coppia.

- Per avvitarlo, ruotare il controllo di coppia (1) dal minimo (viti facili da girare) al massimo disponibile (viti difficili da girare). Se l'impostazione di regolazione della coppia non è adatta per la vite, continuare la regolazione fino ad ottenere la coppia corretta.
- Per perforare, ruotare il controllo di coppia (1) sul passo della foratura. Con questa impostazione l'innesto di sicurezza è attivo e la coppia è massima.

ACCENSIONE / SPEGNIMENTO [F5]

Accensione

Premere l'interruttore di accensione / spegnimento (3).

Spegnimento:

Rilasciare l'interruttore di accensione / spegnimento (3).

VELOCITÀ A VARIAZIONE CONTINUA



La macchina lavora a velocità variabile tra lo 0 e il massimo a seconda della pressione applicata sul tasto di accensione / spegnimento (3).

INVERSIONE DELLA ROTAZIONE [F6]



ATTENZIONE! Utilizzare il commutatore di rotazione (2) solo a macchina ferma.

Con il commutatore di rotazione (2), il senso di rotazione può essere invertito. Quando l'interruttore di accensione / spegnimento (3) è premuto, il commutatore di rotazione

(2) è automaticamente bloccato.

Rotazione oraria (avanti)

Premere il commutatore di rotazione (2) fino al finecorsa di destra (per perforare, avvitarlo ecc.).

Rotazione antioraria (indietro)

Premere il commutatore di rotazione (2) fino al finecorsa di sinistra (per allentare o svitare viti).

SELETTORE DELLA VELOCITÀ (6) [F7]

Con il selettore della velocità (6), è possibile passare dalla prima alla seconda marcia e si può lavorare a velocità superiori o inferiori.

Per evitare danni, si dovrebbe cambiare la marcia solo quando l'utensile è fermo.

LUCE A LED (9)

La luce a LED (9) può essere utilizzata in condizioni di scarsa illuminazione per illuminare la zona in cui si desidera perforare o avvitarlo. La luce a LED (9) si accende automaticamente non appena si preme l'interruttore di accensione / spegnimento (3).

MANUTENZIONE E STOCCAGGIO



ATTENZIONE! Prima di qualsiasi intervento sul dispositivo stesso, estrarre la batteria.

- Tenere sempre lo strumento e le fessure di ventilazione (se presenti) pulite. La regolare pulizia e manutenzione dello strumento ne garantiscono l'efficienza e ne prolungano la vita.
- Se lo strumento non dovesse funzionare, nonostante le rigorose procedure di collaudo, la riparazione deve essere effettuata da un servizio IVT autorizzato.
- Tenere tutti i dadi, bulloni e viti ben serrati, per essere sicuri che lo strumento sia in buone condizioni operative.
- Sostituire tutte le parti usurate o danneggiate per sicurezza.
- Utilizzare esclusivamente ricambi originali. L'uso di parti di ricambio non originali o non autorizzate dal produttore potrebbero causare scarse prestazioni o lesioni personali.
- Conservare lo strumento in un ambiente asciutto, fuori dalla portata dei bambini e lontano da materiali infiammabili.
- Non bagnare mai il dispositivo, né spruzzare acqua su di esso!



TUTELA AMBIENTALE



Riciclare le materie prime invece di smaltirle come rifiuti.

Lo strumento, gli accessori e l'imballaggio devono essere ordinati per il riciclaggio ecocompatibile.

I componenti in plastica sono classificati per il riciclaggio categorizzato. Queste istruzioni sono stampate su carta riciclata.



ATTENZIONE! NON TENTARE DI RIPARARE IL PRODOTTO DA SOLI E NON MANOMETTERLO! Qualsiasi operazione di riparazione o di manutenzione straordinaria deve essere eseguita esclusivamente da un Centro di Assistenza IVT qualificato ed autorizzato. Non modificare nessuna componente interna del prodotto! **QUESTO COMPORTAMENTO INVALIDERÀ COMPLETAMENTE LA GARANZIA E POTREBBE CAUSARE INFORTUNI E SERI DANNI MATERIALI.**

CARACTÉRISTIQUES TECHNIQUES DE L'APPAREIL

Modèle	CSD Li-14.4G-RC
Tension de la batterie d'accumulateurs [V - Ah]	14.4 - 1.3
Type de la batterie	Li-ion
Temps de charges [heures]	3 - 4
Fréquence de rotation sans charge [RPM]	0-400 / 0-1450
Moment de torsion maximal [Nm]	27
Réglages du moment de torsion	18+1
Diamètre maximal du foret [mm]	10
Diamètre maximal du forage (de l'acier) [mm]	10
Diamètre maximal du forage (du bois) [mm]	25
Diamètre maximal du forage (du métal) [mm]	10
Niveau de vibration [m/s ²]	2.5 (K=1.5)
Niveau de la pression acoustique [dB(A)]	77 (K=3)
Niveau de la puissance acoustique [dB(A)]	88 (K=3)
Poids [kg]	0.925
Poids (+ Batterie d'accumulateurs) [kg]	1.215
Classe de sécurité (dispositif de charge pour accumulateurs)	II

LISTE DÉTAILLÉE

1. Régulateur du moment de torsion
2. Commutateur de la direction de rotation
3. Commutateur à deux positions "branché – débranché"
4. Batterie d'accumulateurs
5. Dispositif de charge pour accumulateurs
6. Sélecteur de la vitesse
7. Bouton de l'extraction de la batterie
8. Mandrin porte-foret sans clé
9. Lampe à diodes électroluminescentes

CONTENU DE LA BOÎTE

Manuel d'instruction (1 pièce), batterie d'accumulateurs (1 pièce), dispositif de charge pour accumulateurs (1 pièce).

DESTINATION

Cet outillage est destiné à visser et dévisser des vis, et aussi à forer du bois, métal, céramique et matière plastique.

RÈGLES DE SÉCURITÉ LORS DE L'UTILISATION

Règles générales de sécurité

Les règles de sécurité suivantes permettront d'exploiter l'appareil d'une manière adéquate et assurer votre

propre sécurité. Veuillez lire attentivement ces informations.

Si vous prêtez cet appareil à une tierce personne, veuillez lui transmettre ces instructions.

Ce manuel d'utilisation et toute autre documentation joints à cet appareil doivent être conservés en cas de nécessité.

Suivez les recommandations indiquées sur les étiquettes de l'appareil.

Avant d'utiliser l'appareil, lisez attentivement les principes de contrôle de celui-ci et assurez-vous qu'il sera utilisé comme prévu et que vous pourrez le débrancher, le cas échéant.

En outre, le respect de ces règles simples vous permettra de garder l'appareil en bon état.

- Avant de l'utiliser, assurez-vous que l'appareil est correctement assemblé.

- Utilisez l'appareil uniquement pour son usage prévu.

- Vous trouverez sur l'appareil des précautions à prendre ou des symboles indiquant les mesures de précaution. Des accidents peuvent être évités grâce au bon sens, à l'attention et la préparation nécessaire de ceux qui effectuent l'exploitation, transport, maintenance, service technique et stockage de l'appareil.

- Ne laissez pas l'appareil sans surveillance.

- Conserver hors de la portée des enfants. Assurez-vous que les enfants ne joueront pas avec.



- L'appareil doit être inaccessible aux enfants et animaux domestiques. Assurez-vous que tout le monde se trouve à une distance de sécurité lorsque l'appareil est branché.
- N'oubliez pas que lorsque l'instrument est en marche, son utilisateur est responsable de la sécurité des autres.
- L'utilisation de cet appareil est interdite aux personnes n'ayant pas lu ces instructions ; les enfants, les personnes qui n'ont pas atteint l'âge de travailler avec ce type d'appareil ; les personnes sous l'emprise de l'alcool, de drogues ou de médicaments. L'âge des utilisateurs peut être limité par la législation locale.



ATTENTION! La consommation d'alcool, de drogues ou de médicaments, la fièvre ou la fatigue peuvent nuire à votre capacité à réagir. Ne pas utiliser l'appareil dans les états mentionnés ci-dessus.

- Assurez-vous que tous les dispositifs de protection (le cas échéants) sont installés et en bon état.
- Il est interdit d'utiliser l'appareil comportant des défauts ou sans dispositif de protection ou coffres (si prévus).
- Assurez-vous que l'appareil ne comporte pas d'éléments endommagés ou non alignés (par exemple, vis, écrou, boulon, etc.). Vérifiez régulièrement que tous les vis et écrous soient bien serrés – ce qui garantit la sécurité nécessaire du travail avec l'appareil. Si nécessaire, remplacez ces pièces avant de commencer à travailler. Les défauts de l'appareil peuvent causer des blessures graves à l'utilisateur, ainsi qu'aux autres personnes.
- Portez des vêtements appropriés lorsque vous travaillez avec l'appareil. Ne mettez pas de vêtements trop amples ni de bijoux pouvant s'accrocher aux parties mobiles de l'appareil. Portez des vêtements adéquats pour le travail. Les vêtements et les chaussures doivent entièrement recouvrir les jambes pour les protéger contre d'éventuels fragments tombés. Ne travaillez pas les pieds nus ou en sandales ouvertes. Il est conseillé d'attacher les cheveux longs.
- Les manches et les manchons de l'appareil doivent être propres, secs et sans huile.
- Utilisez les moyens nécessaires de sécurité personnelle. Portez des gants et des lunettes de protection. Si vous travaillez avec les matériaux pulvérulents ou en cas d'apparition de gaz d'échappement, mettez le respirateur. Si nécessaire, utilisez des chaussures à semelle antidérapante, un casque et des oreillettes. Si le niveau sonore dépasse 85 dB(A), il est indispensable d'utiliser des moyens de protection auditifs.



ATTENTION! Utilisez les moyens de protection individuelle ! Les dispositifs de protection et les moyens de protection individuelle préservent votre santé et celle d'autrui, et assurent l'exploitation de l'appareil sans panne.

- N'embrayez pas l'appareil s'il n'est pas sur la bonne position ou pas encore en état d'être utilisé.
- Choisissez une position stable. Surveillez la position des jambes et l'équilibre lors du travail.
- Assurez-vous que l'emplacement de travail est propre. Le désordre et la saleté peuvent causer des dommages. Enlevez tous les objets inutiles de la zone de travail et veillez à ce qu'ils ne s'y trouvent pas lors de l'exploitation de l'appareil.
- Évitez les surcharges de l'appareil.
- Effectuez les travaux uniquement à la lumière du jour ou avec suffisamment d'éclairage artificiel. Il est interdit d'utiliser l'appareil dans des endroits obscurs.
- Soyez vigilant – évitez la chute et les chocs de l'appareil.

ATTENTION! Restez vigilant. Prenez garde à ce que vous faites. Vous risquez de perdre le contrôle si vous êtes inattentif. Faites preuve de bon sens.

Règles de sécurité du travail avec un appareil fonctionnant avec une batterie

AVERTISSEMENT! En respectant les règles de sécurité du travail avec des appareils fonctionnant sur batterie, vous évitez tout traumatisme et incendie. Lisez attentivement ces règles avant de commencer à travailler avec l'appareil et respectez-les scrupuleusement.

- N'utilisez pas l'appareil fonctionnant sur batterie près de liquides inflammables et gaz.
- Il est interdit de laisser l'appareil fonctionnant sur batterie sous la pluie. Ne pas l'utiliser dans des conditions défavorables (humidité, eau). L'emplacement de travail doit être propre et bien éclairé. N'exposez pas l'appareil à l'humidité. Ne le laissez pas dehors pendant la nuit.
- Évitez tout démarrage accidentel de l'appareil : avant de le brancher, assurez-vous que son interrupteur (le cas échéant) se trouve en position 'arrêt/off'.
- Retirez les clés de réglage avant de mettre l'appareil en marche.
- N'utilisez pas l'appareil si son interrupteur est en panne (il ne peut embrayer ou débrayer). Tout appareil

ayant un interrupteur hors service est dangereux et doit être immédiatement réparé.



AVERTISSEMENT! L'utilisation d'appareils fonctionnant sur batterie peut provoquer l'apparition de poussière cancérigène.

Voici certaines sources: plomb de peinture en contenant, silice cristalline de brique, de ciment et d'autres matériaux de maçonnerie, arsenic et chrome de bois traité par des produits chimiques. Si de la poussière apparaît lors du travail, le degré de son influence néfaste dépend de la fréquence des travaux effectués. **Afin de diminuer l'influence de ces éléments chimiques sur l'organisme, il est important d'effectuer des travaux avec des matériaux produisant de la poussière dans des espaces bien aérés et avec des moyens de protection nécessaires tels que des respirateurs spéciaux pour le travail en présence de microparticules.**

- En cas de choc extérieur à l'appareil, avant de redémarrer et de continuer le travail, vérifiez bien qu'il ne soit pas endommagé et effectuez les réparations nécessaires, le cas échéant.
- Si l'appareil commence à trop vibrer, arrêtez-le immédiatement et trouvez-en la cause. La vibration annonce très souvent une future défaillance.
- Eteignez l'appareil et attendez l'arrêt total. Vous devez vous en éloigner, avant d'effectuer des réparations, remplacer des accessoires, toute vérification, nettoyage, résolution de problèmes ou manipulation sur l'appareil.
- Il est interdit de remplacer ou changer toute pièce interne de l'appareil.

Règles de sécurité du travail avec la batterie



AVERTISSEMENT! N'employez votre dispositif de charge qu'avec les batteries d'accumulateurs, qui sont spécialement destinées pour ce dispositif. L'utilisation de toutes autres batteries d'accumulateurs peut provoquer le risque de traumatisme ou d'incendie.



ATTENTION! L'ELECTROCUTION EST POSSIBLE! Ne laissez pas les outillages sous pluie. N'utilisez pas les outillages dans l'ambiance avec haute humidité. Cherchez de protéger les outillages contre l'humectation ou l'action d'humidité. En cas de pénétration de l'eau dans l'intérieur de l'outillage, le danger de l'électrocution s'augmente.



AVERTISSEMENT! Le contact avec les composants électriques peut provoquer la mort par électrocution ou brûlures.

- Il ne faut pas connecter les outillages avec batterie d'accumulateurs mise en place à la prise du réseau électrique, c'est à dire ils sont toujours prêts à travailler. Considérez les possibles facteurs de danger quand l'outillage ne s'utilise pas ou on remplace les accessoires de l'outillage.
- La tension de la charge doit correspondre à la valeur indiquée sur les étiquettes et dans le Guide présent. N'employez pas d'autres sources d'alimentation.
- En cas de l'endommagement du câble de l'alimentation électrique du dispositif de charge d'accumulateurs, pour éviter le danger, le câble doit être remplacé par le producteur, son agent ou par une autre personne analogique autorisée.
- Il est strictement interdit de déplacer le dispositif de charge pour accumulateurs en le tirant pour ses câbles.
- N'admettez pas l'utilisation incorrecte du câble du dispositif de charge pour accumulateurs. Protégez-le contre chauffés, huile, bords aigus ou composants mobiles.
- Quand les outillages ne sont pas employés, gardez-les à distance d'autres objets métalliques, par exemple, pinces pour papiers, monnaies, clés, clous, vis ou d'autres petits objets métalliques, qui peuvent fermer les contacts. Le court-circuit des contacts de la batterie peut provoquer brûlures ou incendie.
- L'exploitation incorrecte peut provoquer l'éjection du liquide de la batterie d'accumulateurs; évitez contacts avec ce liquide. En cas de tel contact accidentel, lavez la zone affectée avec de l'eau. Si le liquide a pénétré dans les yeux, il faut solliciter en supplément l'aide médicale. Le liquide qui s'écoule de la batterie d'accumulateurs peut provoquer irritation ou brûlures.
- N'utilisez pas le dispositif de charge en dehors des locaux.
- Ne chargez pas les batteries, qui n'admettent pas la charge réitérée.
- Ne laissez pas les outillages près du feu ouvert ou



sources de chaleur.

- Ne réalisez pas la charge là où il fait trop chaud ou trop froid. Il fait mieux réaliser la charge à la température ordinaire.
- Il ne faut pas déformer, laisser tomber ou endommager les outillages. N'utilisez pas l'outillage qui est tombé d'hauteur ou a reçu des coups forts.
- La batterie d'accumulateurs peut s'exploser en présence d'une source d'inflammation, par exemple, d'un brûleur qui brûle constamment. Pour réduire le risque de graves blessures, n'utilisez jamais les outillages près de flamme ouverte. La batterie d'accumulateurs explosée peut disperser ses fragments et produits chimiques. Si vous avez souffert son action, lavez immédiatement la place affectée avec de l'eau.
- Retirez obligatoirement la batterie d'accumulateurs de l'outillage en rassemblant ses composants, en réalisant régulations, nettoyages, pendant stockage du dispositif ou quand le dispositif ne s'utilise pas.
- Ne placez pas des objets sur le dispositif de charge pour accumulateurs, ne disposez pas le dispositif de charge pour accumulateurs sur une surface molle qui peut fermer les trous de ventilation et provoquer la chauffe intérieure excessive. Installez le dispositif de charge loin des sources de chaleur.
- Déconnectez le dispositif de charge pour accumulateurs des prises électriques avant de commencer à le nettoyer.
- Ne tentez jamais de connecter deux dispositifs de charge pour accumulateurs l'un à l'autre.
- Ne mettez pas le dispositif de charge pour accumulateurs sous l'action de fort froid, gouttelettes ni l'immergez dans l'eau ou d'autres liquides.
- L'utilisation des accessoires non recommandés ou des dispositifs de charge non recommandés peut provoquer le risque d'incendie, d'électrocution ou de traumatisme.
- N'utilisez pas le dispositif de charge pour accumulateurs dans les places, où la température peut atteindre ou excéder 40 °C. Ne chargez pas la batterie d'accumulateurs à la température de l'air ambiant qui est inférieure à 4,5 °C ou supérieure à 40,5 °C.
- Le dispositif de charge pour accumulateurs et la batterie d'accumulateurs peut devenir chaude si on les touche pendant la charge; cet état est normal et n'est pas signe des problèmes.

ATTENTION! Employez votre outillage seulement avec les batteries d'accumulateurs et dispositifs de charge qui sont spécialement destinés pour cet outillage. La tension doit toujours correspondre à la valeur nominale.



ATTENTION! Ne chargez que les batteries, approuvées par le même producteur, qui admettent la charge réitérée. N'utilisez avec votre article que le dispositif de charge et les batteries, approuvées par le même producteur.

Règles particulières de sécurité

- Avant de visser un clou à vis dans une paroi, en cas de moindre doute réalisez la vérification au moyen du détecteur du métal / de la tension électrique pour ne pas endommager la ligne d'alimentation de l'électricité, du gaz ou de l'eau.
- Débranchez immédiatement le dispositif en cas de coïncement de l'embout de l'outillage. Soyez prêts à réagir à un fort moment de torsion réactif, capable de provoquer recul.
- Avant de placer l'outillage, assurez-vous que tous ses composants mobiles sont complètement arrêtés.
- Évitez de faire des longs arrêts en vissant clous à vis ou en forant, puisque cela peut provoquer l'endommagement de la batterie d'accumulateurs.

DÉBALLAGE

Lors du déballage, vérifiez bien si toutes les pièces et les dispositifs sont inclus. Regardez les dessins techniques présentés dans ce manuel d'utilisation. En cas de dommage ou absence de pièces quelconques, nous vous prions de vous adresser au centre de service après-vente IVT.

REMPACEMENT DE L'EMBOU [F1]

Mettez le commutateur de la direction de rotation (2) dans la position centrale toujours quand vous exécutez toute sorte des travaux au moyen de l'outillage (par exemple, en remplaçant l'embout, en exécutant l'entretien technique, etc.).

- Le présent outillage sans fil est équipé du mandrin porte-foret sans clé (8) avec l'arrêt automatique de la tige.
- Ouvrez le mandrin porte-foret sans clé (8). Le mandrin doit être ouvert assez largement pour insérer l'embout de l'outillage (foret ou embout du tournevis).
- Choisissez l'embout approprié de l'outillage. Insérez l'embout de l'outillage le plus profondément possible dans l'orifice du mandrin.
- Serrez le mandrin porte-foret sans clé (8), ensuite vérifiez la sécurité de fixation de l'embout de l'outillage.

Fonctionnement en mode de visseuse

Nous recommandons d'employer les vis autocentrées destinées au fonctionnement sûr. Assurez-vous que l'embout employé correspond à la forme et la dimension de la vis. Réglez le moment de torsion, comme il est décrit dans l'autre section de ce Guide d'exploitation pour qu'il corresponde aux dimensions de la vis.

PROCÉDURE DE LA CHARGE [F2]



AVERTISSEMENT! N'exécutez le chargement additionnel d'une batterie d'accumulateurs (4) qu'au moyen du dispositif de charge pour accumulateurs (5), recommandé par le fabricant. Le dispositif de charge qui est utile pour la batterie d'accumulateurs (4) d'un type, peut créer le danger d'incendie en cas de son emploi avec une autre batterie d'accumulateurs (4). L'utilisation des accessoires non recommandés ou des dispositifs de charge non recommandés peut provoquer le risque d'incendie, d'électrocution ou de traumatisme.



ATTENTION! Soyez prudents en utilisant la batterie d'accumulateurs (4) dont la vie utile s'expire. Si vous avez remarqué la détérioration du fonctionnement de l'outillage ou la réduction considérable du temps qui passe entre les charges, il est temps de remplacer la batterie d'accumulateurs (4). La non-exécution de cette exigence peut provoquer le fonctionnement incorrect de l'outillage ou l'endommagement du dispositif de charge pour accumulateurs (5).

MISE EN PLACE DE LA BATTERIE D'ACCUMULATEURS (4) [F3]

- Pour mettre en place la batterie d'accumulateurs (4), faites coïncider la batterie d'accumulateurs (4) avec le logement et insérez-la dans l'outillage jusqu'à sa fixation dans sa place. Ne mettez pas la batterie dans sa place par force.
- Pour extraire la batterie d'accumulateurs (4), pressez le bouton de l'extraction de la batterie (7) et extrayez la batterie d'accumulateurs (4) de l'outillage.

RÉGULATION DU MOMENT DE TORSION [F4]

Cet outillage est équipé du régulateur à gradins du moment de torsion (1), destiné à exclure l'endommagement des têtes des vis ou des outils d'embout.

En travaillant, choisissez toujours le réglage correspondant au moment de torsion. La valeur correcte du moment de torsion dépend du type et de la fermeté du matériel, du type et de la longueur des vis, des exigences concrètes de travail.



ATTENTION! Pendant la régulation du moment de torsion, l'outillage doit être complètement arrêté.

- Pour employer l'électroforeuse comme visseuse, tournez le régulateur du moment de torsion (1) de la valeur minimale (les vis se tournent avec petit effort) jusqu'à la valeur maximale accessible du moment de torsion (les vis se tournent avec grand effort). Si la valeur du régulateur du moment de torsion ne convient pas pour une vis concrète, continuez la régulation jusqu'à obtenir le moment de torsion nécessaire.
- Pour employer l'électroforeuse comme perceuse, mettez le régulateur du moment de torsion (1) au degré du forage. Avec tel réglage le manchon glissant est inactif, et le moment de torsion est maximal.

BRANCHEMENT / DÉBRANCHEMENT [F5]

Branchement

Pressez le commutateur à deux positions "branché – débranché" (3).

Débranchement

Lâchez le commutateur à deux positions "branché – débranché" (3).

RÉGLAGE CONTINU DE LA VITESSE



Le changement de tours de 0 au maximum dépend de la force lorsque l'on appuie sur le bouton (3).



CHANGEMENT DE LA DIRECTION DE ROTATION [F6]



AVERTISSEMENT! Utilisez le commutateur de la direction de rotation (2) seulement quand l'outillage est dans l'état immobile.

On peut changer la direction de rotation de l'outillage au moyen du commutateur de la direction de rotation (2) (quand le commutateur à deux positions «branché-débranché» (3) est branché, le commutateur de la direction de rotation (2) est bloqué).

Rotation à droite (en avant)

Pressez le commutateur de la direction de rotation (2) jusqu'à ce qu'il arrive à droite jusqu'au bout (pour forer, dévisser clous à vis, etc.).

Rotation à gauche (en direction inverse)

Pressez le commutateur de la direction de rotation (2) jusqu'à ce qu'il arrive à gauche jusqu'au bout (pour desserrer et dévisser clous à vis, etc.).

SÉLECTEUR DE VITESSE (6) [F7]

Au moyen du sélecteur de vitesse (6) vous pouvez commuter de la première transmission à la deuxième transmission, c'est à dire que vous pouvez travailler avec la vitesse augmentée ou baissée.

Pour éviter endommagements, il vous faut commuter les transmissions seulement quand l'outillage est arrêté.

LAMPE À DIODES ELECTROLUMINESCENTES (9)

Vous pouvez utiliser la lampe à diodes électroluminescentes (9) en les conditions d'un mauvais éclairage, pour éclairer la zone où vous voulez visser une vis. Pressé le commutateur à deux positions «branché-débranché» (3), la lampe à diodes électroluminescentes (9) s'allumera automatiquement.

MAINTENANCE ET STOCKAGE



ATTENTION! Avant de commencer tout travail avec l'appareil lui-même, enlevez la batterie.

- Assurez-vous que l'appareil et les ouvertures de ventilation soient propres. Le nettoyage et le service technique réguliers assureront un rendement important et augmenteront la durée de vie de votre appareil.
- Si un appareil de bonne qualité, rigoureusement testé à l'usine tombe malgré cela en panne, la réparation ne doit être confiée qu'au service clientèle IVT.
- Les vis, écrous et boulons doivent être bien serrés – ceci garantit la sécurité et le bon fonctionnement de l'appareil.
- Pour votre sécurité, remplacez les pièces usées ou endommagées.
- Utilisez uniquement les pièces d'origine du fabricant. Sinon leur assemblage sera difficile ce qui pourra causer des dommages.
- Conservez l'appareil dans un endroit sec et inaccessible aux enfants, loin des matériaux inflammables.
- Il est interdit de mouiller l'appareil et d'y verser de l'eau!

PROTECTION DE L'ENVIRONNEMENT



Le recyclage des matières premières pour une réutilisation est mieux que de les jeter.

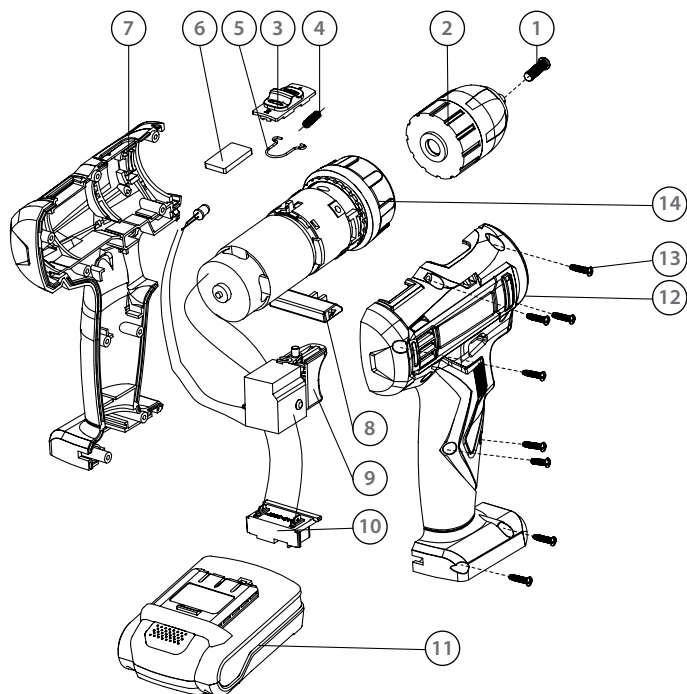
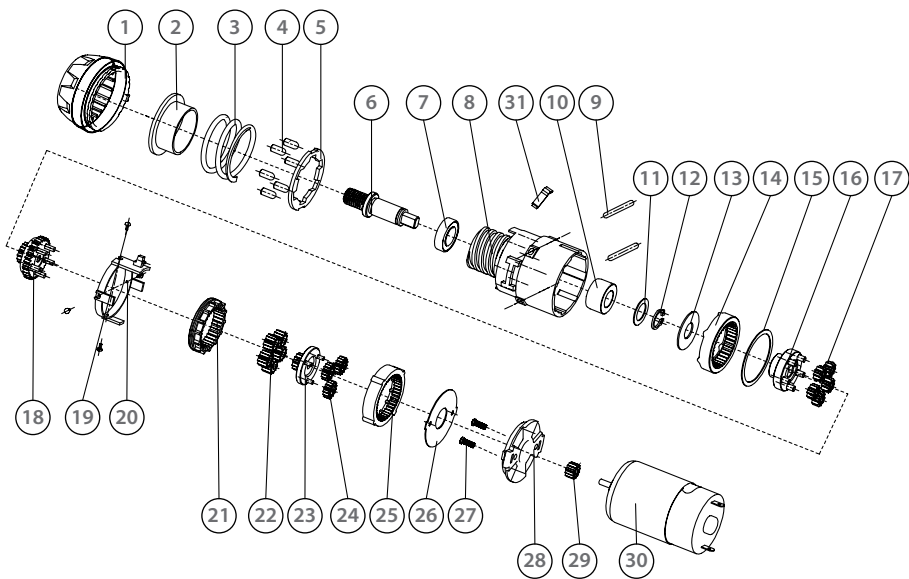
L'appareil, les dispositifs et l'emballage sont triés pour être recyclés tout en protégeant la nature.

Les éléments en plastique sont classés pour le recyclage. Ce manuel est imprimé sur du papier recyclé sans utilisation de chlore.



ATTENTION! IL EST INTERDIT DE REPARER L'ARTICLE PAR SES PROPRES MOYENS ET DISSIMULER CE FAIT! Seulement le centre de service autorisé IVT a le droit d'exécuter la réparation et l'entretien élargi. Il est interdit de modifier la construction interne de l'article! CES ACTIONS PEUVENT ANNULER LES OBLIGATIONS DE GARANTIE ET CAUSER LES ENDOMMAGEMENTS ET LES BLESSURES GRAVES.

CSD Li-14.4G-RC





SPARE PARTS LIST

Part	Description
1	Torque cap
2	Adjusting nut
3	Spring
4	Pin Ø4x8.7
5	Washer
6	Output shaft
7	Bearing 6008Z
8	Gearbox housing
9	Long pin
10	Bush
11	Washer
12	Clip spring
13	Washer
14	Inner gear
15	Washer
16	Planer bracket
17	Planet gear
18	Sun gear
19	Pin
20	Speed circle
21	Speed inner gear
22	Planet gear
23	Sun gear
24	Planet gear
25	Inner gear
26	Washer
27	Screw
28	Motor bracket
29	Motor gear
30	Motor

Part	Description
1	Screw M5x23L
2	Chuck
3	Speed button
4	Spring
5	Spring wire
6	Magnet
7	Housing support
8	Shift button
9	Switch
10	Collet bracket
11	Battery pack
12	Housing cover
13	S-tapping screw
14	Gearbox assembly



tools for every use

IVT SWISS SA

Via Cantonale, 2
CH-6917 - Barbengo
Switzerland

tel.: +41 (0) 91 6000 555
fax: +41 (0) 91 6000 557
e-mail: info@ivt-ht.com
web: www.ivt-ht.com

КАЗАХСТАН

ТОО “Костанай ІVТ”

ул. Целинная, д.4
110000 г. Костанай | Казахстан

тел.: +7 (7142) 280 700, -701, -702
e-mail: info@ivt.kz
web: www.ivt.kz

ТОО “ІVТ Казахстан”

ул. Гоголя, 49
100000 г. Караганда | Казахстан

тел: +7 7212 920 999
моб: +7 705 972 30 40
e-mail: ivt.kz@mail.ru
web: www.ivt-kz.kz

РОССИЯ

ООО “ІВТ РУС”

проспект Зелёный, дом3, корпус 3, офис 17
111141 г. Москва | Россия

тел: +7 495 767 87 69
моб: +7 985 993 06 48
e-mail: ivt.rus@inbox.ru
web: www.ivtrus.ru

ООО “ІВТ РУС”

ул.Тайгинская, дом 2, офис 24
630129 г. Новосибирске | Россия

тел: +7 383 239 49 94
моб: +7 913 378 88 00
e-mail: ivt.rus@mail.ru
web: www.ivtrus.ru

ООО “ІВТ УРАЛ”

ул. Болейко, 2а
454084 г. Челябинск | Россия

тел: +8 351 247 98 65
моб: +7 951 817 4124
e-mail: ivt-s@mail.ru

