



www.ivt-ht.com | tools for every use



EN	Demolition breaker	8-13	CS	Bourací kladivo	56-61
DE	Elektrischer Abstoßhammer	14-19	BG	Електрически къртач	62-67
RU	Отбойный молоток электрический	20-25	SK	Búracie kladivo	68-73
KZ	Электрлі кен балғасы	26-31	RO	Ciocan electric de abataj	74-79
PL	Młot udarowy	32-37	LT	Elektrinis skeliamasis kūjis	80-85
BE	Адбойны малаток электрычны	38-43	LV	Elektriskais atskaldāmurs	86-91
UK	Відбійний молоток електричний	44-49	ES	Martillo percutor	92-97
IT	Trapano demolitore	50-55	FR	Piqueur électrique	98-103



DBRK-1500

**EN****CONGRATULATION!**

Dear customer,

IVT team would like to thank you for your choice and for the confidence you put in our product.

Our aim is always to offer an innovative, high-class-strong and prize-adequate product to the customer.

We wish you'll get much satisfaction from all your do-it-yourself activities, by using this tool.

Your IVT Swiss SA Team

NOTE: Illustrations, figures, photos and contents might vary slightly due to our program of continuous product improvements.

RU**ПОЗДРАВЛЯЕМ!**

Уважаемый Покупатель,

Коллектив компании IVT благодарит вас за оказанное доверие и выбор в пользу нашей продукции.

Мы стремимся к тому, чтобы у наших покупателей была возможность пользоваться только современными, прочными и высококачественными продуктами.

Надеемся, что с нашими инструментами вы получите истинное удовольствие от работы.

С уважением, коллектив IVT Swiss SA

ПРИМЕЧАНИЕ: Рисунки, количественные данные, фотографии и содержание инструкции могут изменяться в силу постоянного усовершенствования нашей продукции.

DE**WIR GRATULIEREN!**

Sehr geehrter Kunde,

das Team der Firma IVT dankt Ihnen für Ihr Vertrauen und für die Wahl unserer Produktion.

Wir streben danach, damit unsere Kunden die Möglichkeit haben, nur moderne, feste und hochwertige Produkte zu benutzen.

Wir hoffen, dass mit unseren Werkzeugen Sie ein wirkliches Vergnügen von der Arbeit bekommen.

Mit freundlichen Grüßen, Team IVT Swiss SA

ANMERKUNG: Bilder, Mengenangaben, Fotos und der Inhalt der Anleitung können sich kraft der ständigen Nacharbeit unserer Produktion verändern.

KZ**ҚҰТТЫҚТАЙМЫЗ!**

Құрметті сатып алушы,

IVT компаниясының ұжымы Сізге бізге сенім артқаныңыз үшін және біздің өнімімізді таңдағаныңыз үшін алғыс білдіреді.

Біз Сіздерге инновациялық, жоғарғы классты және жоғары сапалы өнімді тиімді бағамен ұсынуға үнемі ұмтылып келеміз.

Біздің құралдарыңызбен сіз өз жұмысыңыздан рахаттанасыз деп үміттенеміз.

Ізгі ниетпен, IVT Swiss SA ұжымы

ЕСКЕПТУ: Суреттер, сандық мәліметтер және нұсқаудың мазмұны біздің өнімнің үздіксіз жетілуіне байланысты өзгеруі мүмкін.



PL GRATULUJEMY!

Szanowny Kliencie,

Załoga firmy IVT dziękuje Państwu za okazane zaufanie i wybranie naszego produktu. Dążymy do tego, aby nasi klienci mieli możliwość użytkowania jedynie nowoczesnych, trwałych i wysokiej jakości produktów.

Mamy nadzieję, że używając naszych narzędzi będziecie Państwo mieć prawdziwą satysfakcję z pracy.

Z poważaniem, załoga IVT Swiss SA

UWAGA: Rysunki, dane ilościowe, fotografie i treść instrukcji mogą ulegać zmianom z powodu doskonalenia naszych produktów.

UK ВІТАЄМО!

Шановний Клієнт,

Компанія IVT дякує Вам за вибір та довіру до нашої марки. Наша мета - завжди пропонувати Вам інноваційний, якісний інструмент за прийнятною ціною.

Сподіваємося, що з нашими інструментами ви отримаєте задоволення від роботи.

З повагою, колектив IVT Swiss SA

ПРИМІТКА: Малюнки, кількісні дані, фотографії та зміст інструкції можуть змінюватися внаслідок постійного удосконалення нашої продукції.

BE ВІНШУЕМ!

Паважаны Клієнт,

Кампанія IVT дзякуе Вам за выбар і давер, аказаны нашай марцы. Наша мэта - заўсёды прапаноўваць Вам інавацыйны, якасны інструмент па прымальнай цане.

Спадзяемся, што з нашымі інструментамі вы атрымаеце задавальненне ад працы.

Кампанія IVT Swiss SA

НАПАТКА: Малюнкi, колькаснiя дадзеныя, фатаграфiі i утрыманне iнструкцый могуць змяняцца ў сілу сталага ўдасканалення нашай тавараў

IT CONGRATULAZIONI!

Gentile cliente,

l'azienda IVT desidera ringraziarLa per la scelta e per la fiducia dimostrata nel nostro prodotto. Il nostro obiettivo è offrire sempre prodotti innovativi che garantiscano un adeguato rapporto qualità/prezzo.

Le auguriamo che i suoi lavori di bricolage possano diventare un piacere, utilizzando il nostro prodotto.

La squadra IVT Swiss SA

Nota: illustrazioni, figure, foto e contenuti potrebbero variare leggermente a causa del nostro programma di continuo miglioramento del prodotto.

**CS****GRATULUJEME!**

Vážený zákazník,

tým IVT vám chce poděkovat za důvěru, kterou jste do nás vložili nákupem našeho produktu. Naším cílem je přinášet kvalitní, pokrokové, odolné a cenově výhodné výrobky.

Přejeme vám mnoho spokojenosti při vašem kutilství s pomocí tohoto nástroje.

Váš tým IVT Swiss SA

POZN.: ilustrace, obrázky, fotografie a obsah se mohou mírně lišit od skutečnosti, neboť své produkty neustále vyvíjíme a vylepšujeme.

SK**GRATULUJEME!**

Vážený zákazník,

tím IVT vám chce poďakovať za dôveru, ktorú ste do nás vložili nákupom nášho produktu. Naším cieľom je prinášať kvalitné, pokrokové, odolné a cenovo výhodné výrobky.

Prajeme vám mnoho spokojnosti pri vašom domácom majstrovaní s pomocou tohto nástroja.

Váš tím IVT Swiss SA

POZN.: ilustrácie, obrázky, fotografie a obsah sa môžu mierne líšiť od skutočnosti, pretože svoje produkty neustále vyvíjame a vylepšujeme.

BG**ПОЗДРАВЛЕНИЯ!**

Уважаеми клиенти,

Колективът на фирма IVT ви благодари за оказаното доверие и за избора, направен в полза на нашия продукт. Ние винаги се стремим да предоставим на клиентите си само иновационна, висококачествена продукция от най-висок клас.

Надяваме се, че с нашите инструменти ще получавате истинско удоволствие от работата.

С уважение, колективът на IVT Swiss SA

ЗАБЕЛЕЖКА: Рисунките, количествените данни, снимките и съдържанието на инструкцията могат да бъдат променяни поради постоянното усъвършенстване на нашата продукция.

RO**FELICITĂRI!**

Stimate client,

Compania IVT vă mulțumește pentru încredere și alegerea făcută în favoarea produselor noastre. Ne străduim în permanență ca clienții noștri să aibă posibilitatea să procure doar produse inovatoare, de calitate și clasă înaltă.

Sperăm că cu instrumentele noastre, munca vă va aduce numai plăcere.

Cu respect, compania IVT Swiss SA

NOTĂ: Cifrele, datele cantitative, fotografiile și conținutul instrucțiunilor de exploatare pot fi schimbate ca urmare a îmbunătățirii continue a produselor noastre.



LT

SVEIKINAME!

Gerbiamas Kliente,

IVT kompanijos kolektyvas dėkoja jums už parodytą pasitikėjimą ir mūsų produkcijos pasirinkimą. Mes visada siekiame suteikti savo klientams galimybę įsigyti tik naujausią, aukščiausio lygio ir kokybės produkciją.

Tikimės, jog jums bus malonu dirbti, naudojant mūsų įrankius.

Pagarbiai, IVT Swiss SA kolektyvas

PASTABA: Instrukcijos paveikslėliai, kiekybiniai rodikliai, nuotraukos ir turinys gali keistis dėl nuolatinio mūsų produkcijos tobulinimo.

ES

¡ENHORABUENA!

Estimado consumidor,

El equipo de IVT le agradece su elección y confianza que ha depositado en nuestro producto. Nuestro objetivo es ofrecer al consumidor un producto innovador, fiable y de alta calidad por el precio adecuado.

Le deseamos que el trabajo con esta herramienta, hecho con sus propias manos, sea un verdadero placer para Usted.

Queda a su disposición, el equipo de IVT Swiss SA

NOTA: Figuras, datos cuantitativos, fotos y contenido del manual pueden verse modificados debido a la constante mejora de nuestros productos.

LV

APSVEICAM!

Cienījamo pircēj,

IVT kompānijas kolektīvs pateicas Jums par Jūsu izvēli unūsu produkcijai dāvāto uzticību. Mēs vienmēr cenšamies, lai mūsu pircējiem būtu iespēja iegādāties tikai novatorisku, augstas klases un kvalitatīvu produkciju.

Ceram, ka strādājot ar mūsu instrumentiem, darbs Jums sagādās patiesu baudu.

Ar cieņu, IVT Swiss SA kolektīvs.

PIEZĪME: Zīmējumi, skaitliskie dati, fotogrāfijas un instrukcijas saturs var mainīties mūsu produkcijas pastāvīgas pilnveidošanas rezultātā.

FR

FÉLICITATIONS!

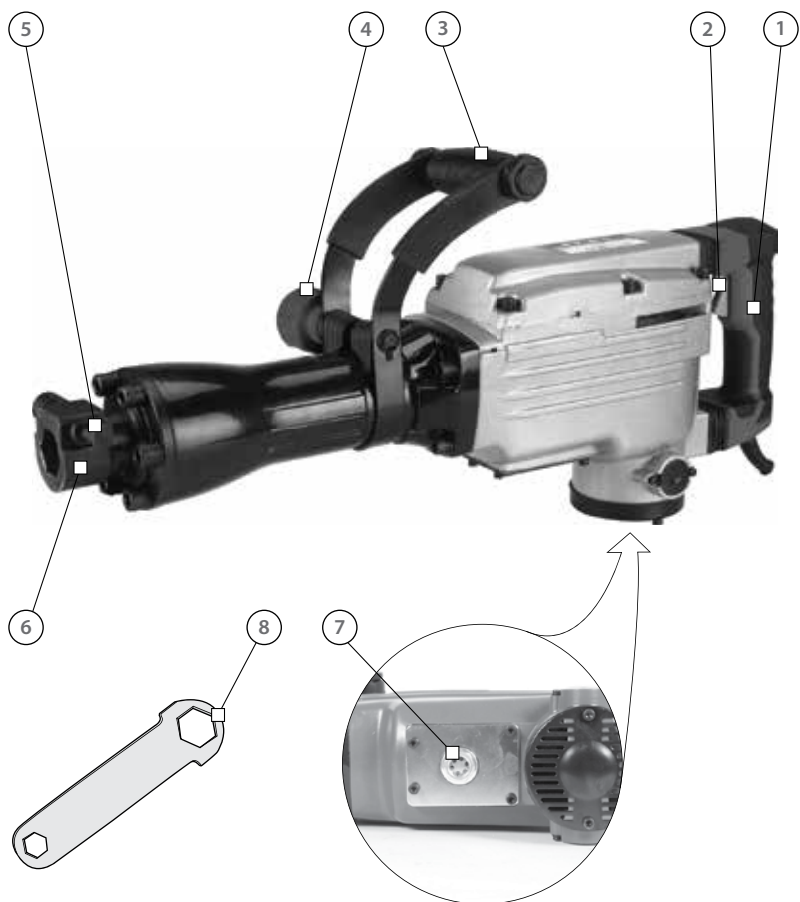
Cher client,

Le personnel de l'entreprise IVT vous remercie pour votre choix et la confiance que vous portez à nos produits. Notre objectif est d'offrir à nos clients le plus moderne des produits, le plus sûr et de meilleure qualité à un prix raisonnable.

Nous souhaiterions que votre travail manuel soit, grâce à notre appareil, un véritable plaisir.

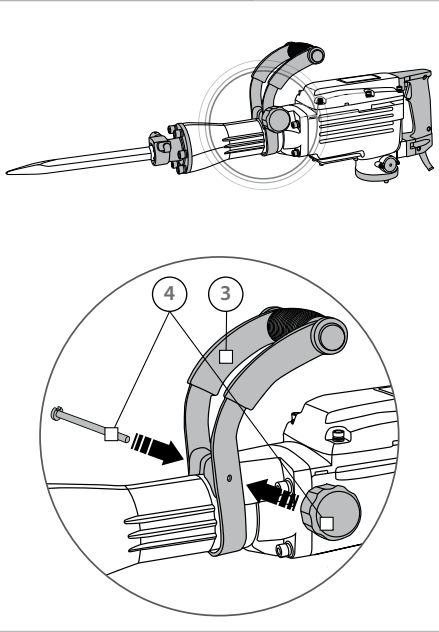
Le personnel de l'entreprise IVT Swiss SA est toujours à votre disposition.

REMARQUE: Les images, observations quantitatives, photographies et le contenu du manuel peuvent sensiblement changer du au perfectionnement permanent de notre produit.

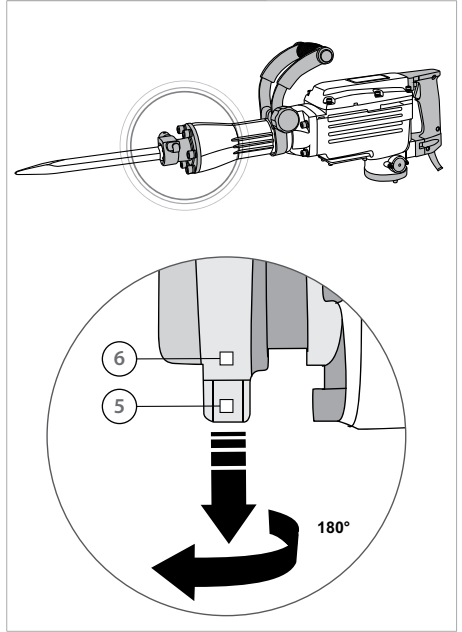




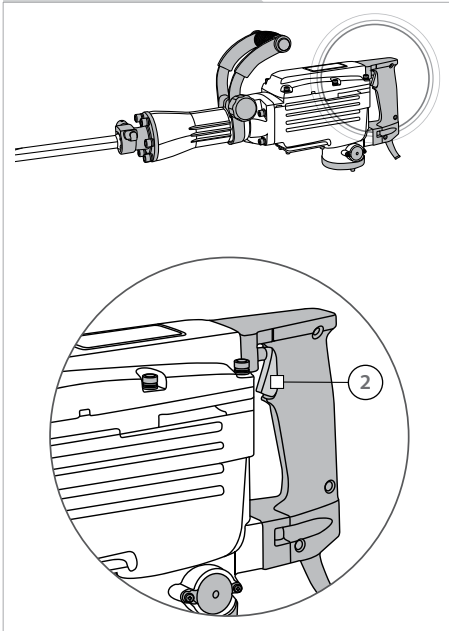
[F1]



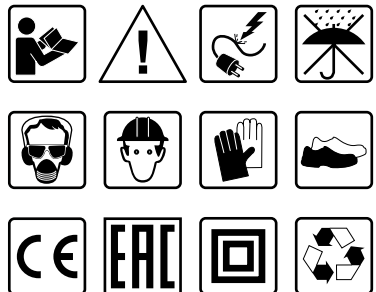
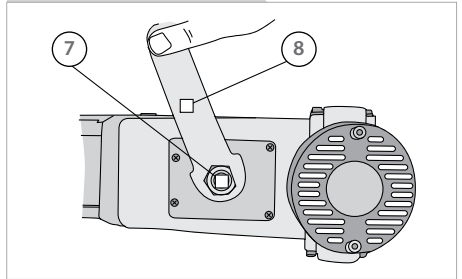
[F2]



[F3]



[F4]



TOOL SPECIFICATIONS

Model	DBRK-1500
Voltage ~ Frequency [V ~ Hz]	230 ~ 50
Rated power [W]	1500
Impact rating [BPM]	1900
Impact energy [J]	45
Vibration level [m/s ²]	18.575 (K=1.5)
Sound pressure level [dB(A)]	92.87 (K=3)
Sound power level [dB(A)]	105.00 (K=3)
Weight [Kg]	14
Safety class	II

PART LIST

1. Handle
2. On / Off switch
3. Auxiliary handle
4. Screw of the auxiliary handle
5. Locking bolt
6. Chuck
7. Inspection window / Oil filler opening
8. Hexagonal spanner

CONTENT OF THE BOX

Instruction manual (1 pc), point chisel (1 pc), flat chisel (1 pc), auxiliary handle (1 pc), hexagon spanner (1 pc), carbon brush (1 set).

INTENDED USE

This tool is intended for heavy duty demolition and chiseling works, using the appropriate chisel.

SAFETY REGULATION FOR THE USE

General safety rules

The following listed safety instructions should serve you for the right use of the tool and for the protection of your own safety, therefore, please read this very carefully. When passing this tool to a third person, these instructions must be handed too.

Retain this user's manual and all other literature supplied with your tool for any future reference.

Comply with all the safety information and the warnings on the tool.

Be familiar with the controls and the proper use of the tool before attempting to use it and above all, make sure you know how to stop to use it in case of emergency.

Following these simple instructions will also maintain your tool in good working order.

- The tool must be assembled correctly before use.
- Only use the tool for its designed purposes.
- On the tool, there may be also decals and further indications about the safety equipment to use that must be considered. The prevention of accidents is dependent upon the awareness, common sense and proper training of everyone involved in the operation, transport, maintenance and storage of the tool.
- Never leave the tool unattended.
- Never allow children to use the tool. Children should be supervised to ensure that they do not play with the tool.
- Keep children and pets away. All onlookers should be kept at a safe distance away from the tool when it is in use.
- The user is responsible for third parties while working with the tool.
- People who aren't acquainted with the operating instructions, children, juveniles who have not yet reached the minimum age for using this tool and people under the influence of alcohol, drugs or medication are not allowed to use the tool. Local regulations may restrict the age of the operator.



WARNING! The consumption of alcohol, medication and drugs, plus states of illness, fever and fatigue will affect your ability to react. Do not use this tool in any of these situations.

- Make sure that all the protective devices (if present) are fitted and are in good condition.
- Never operate the tool with defective safety devices or guards (if present), or without safety devices in place.
- Inspect the entire tool to look for loose parts (e.g. nuts, bolts, screws, etc.) and for any damage. Check at frequent intervals if screws and bolts (if present)



are properly tight to be sure the equipment is in safe working condition. Repair or replace them, if necessary, before using the tool. Serious injury to the operator and to the bystanders could result if there's any damage to the tool.

- While using the tool, dress properly. Do not wear loose clothing or jewelry that could become caught by the tool. Wear suitable working clothes. It is recommended that legs and feet are covered, to protect them from eventual flying debris. Do not work barefoot or wearing open sandals. Long air should be tided back.
- Keep handles and grips dry, clean and free from oil and grease.
- Use proper protective equipment. Use safety goggles and safety gloves. Also use a dust mask during pulverulent operations or if exhaust gases are present. When necessary, use also non-slipping boots or shoes, hardhat and earplugs. If the noise level exceeds 85 dB(A), ear protection is obligatory.



WARNING! Use personal protective equipment! Safety devices and personal protective equipment protect your own health and the health of others and ensure a trouble-free operation of the tool.

- Do not start to use the tool if it is in an inverted position or it is not in the right working order.
- Ensure that you have a good stand, while you operate with the tool. Keep proper footing and balance at all times.
- Keep work area clean. Cluttered areas invite injuries. Before use, all foreign bodies must be removed from the working area, also pay attention to foreign objects during operation.
- Do not force the tool.
- Only work in daylight or sufficiently good artificial light. Never operate the tool without good visibility.
- Be careful not to drop the tool or hit it against obstacles.

ATTENTION! Stay alert. Watch what you are doing. Distraction can cause you to lose control. Use common sense.

Electrical safety rules

ATTENTION! When using electrical tools, the following safety instructions should be observed to prevent the risk of electric shock, personal injury and fire. Read and observe these instructions carefully before using the tool.

- It is recommended for increased electrical safety to use a Residual Current Device (RCD) with a tripping current of not more than 30 mA. Always check your RCD

every time you use it. Consult a reliable electrician.



WARNING! The use of an RCD or other circuit breaker unit does not release the operator from the safety instructions and safe working practices given in this manual.

- The main voltage must correspond to the one marked on the labels and on this manual. Do not use other sources of power.
- Before inserting the plug in the main socket, make sure that the socket ratings are correct and correspond to those indicated on the rating label on the appliance.
- Avoid body contact with grounded surfaces such as pipes, radiators, ranges and refrigerators. This increases risk of electric shock if your body is grounded.



CAUTION! Touching electrified parts may cause death by electric shock or burn.

- Never move the appliance by pulling at the cables.
- Do not abuse the cord. Keep it away from heat, oil, sharp edges or moving parts.
- Always guide the connection line safely.
- Do not use power tools near flammable liquids or gases.
- Always disconnect the appliance from the mains supply before transporting it to other places.



CAUTION! The appliance should always be switched off at the mains before disconnecting any plug and socket connector or extension cables.

- Never pass the appliance over its own cord or extension cable, while the tool is working. Make sure you always know where the cable is.
- Do not wire a power cable directly into your device yourself. Instead, take the device to your nearest authorized Service Center.
- To avoid danger, damaged power cord should be replaced by manufacturer or its agent, or similar qualified person.
- Immediately unplug the tool when its cable is damaged or cut.



ATTENTION! DANGER OF ELECTRIC SHOCK!

Consider working area environment. Do not expose power tools to rain. Do not use power tools in damp or wet locations. Keep work area well lit and dry. Try to prevent the device from getting wet or being exposed to humidity. Do not leave it outside overnight. Water entering a power tool will increase the risk of electric shock.

- The power supply cable should be checked regularly and, before using it, make sure the cable is not damaged or worn out. If the cable is not in good condition, do not use the appliance; take it to an authorized service Center.
- When tool is used outdoor, only use an extension cable that is suitable for outdoor use and which is marked for this specific use. Keep it away from the working area, from damp, wet or oily surfaces and away from heat and flammable materials.
- Avoid any accidental starting: make sure that the power switch (if present) is in the «off» position, before plugging the tool in.
- Remove adjusting keys or wrenches before turning the tool on.
- Do not use the tool if the switch does not turn the tool on or off. Any tool that cannot be controlled with the switch is dangerous and must be repaired.



WARNING! During the use of certain power tools, some dust containing chemicals known to cause cancer, may occur.

Some of these chemicals are: lead from lead based paints, crystalline silica from bricks and cement and other masonry products, arsenic and chromium from chemically treated lumber and other dangerous products. If dust is present, your risk from these exposures varies, depending on how often you do this type of work. **To reduce your exposure to these chemicals, any time you do pulverulent operations, work in a well ventilated area and work with approved safety equipment, such as dust masks that are specially designed to filter out microscopic particles.**

- If the appliance strikes a foreign body, examine the device for signs of damage and carry out any necessary repairs before restarting and continuing to work.
- If the appliance starts to vibrate abnormally, turn it off and check for the cause immediately. Vibration is generally a warning of trouble.
- Always switch off the appliance and wait until the device completely stops whenever you leave

the machine, before carrying out maintenance, before changing accessories, checking, cleaning, troubleshooting or working on the appliance.

- It is forbidden to move or modify any of the internal parts of the device.

Specific safety rules

- Always wear a hard hat (safety helmet), safety goggles or eye protection when using this tool (ordinary eye or sun glasses are NOT safety glasses). They will help deflect fragments of the material that may be thrown toward your face and eyes.
- Some material contains chemicals which may be toxic and dust generated or gases released from the material you are working on may cause respiratory difficulties. Take caution to prevent dust inhalation and skin contact. Use a dust mask and thick protective gloves.
- Use thick cushioned gloves and limit the exposure time by taking frequent rest periods. Vibration caused by hammer action may be harmful to your hands and arms.
- Wear ear protectors when using the tool. Prolonged exposure to high intensity noise can cause hearing loss.
- Be sure no one is below when using the tool in high locations. Be sure no one is hazardingly too near to the working area.
- Do not point the tool at any one in the area when operating. The chisel could fly out and injure someone seriously.
- Be sure the chisel is secured in place before operation.
- Under normal operation, the tool is designed to produce vibration. The screws can come loose easily, causing a breakdown or accident. Check tightness of screws carefully before operation.
- In cold weather or when the tool has not been used for a long time, let the tool warm up for a while by operating it under no load. This will loosen up the lubrication. Without proper warm-up, hammering operation is difficult.
- Hold the tool firmly with both hands.
- Use the auxiliary handle supplied with the tool. Always use both handles for maximum control. Never attempt to operate this tool with one hand. It develops intense percussive forces during operation and you may lose control if attempting one hand operation. Losing control of the tool can cause injuries.
- Hold the tool by the insulated handles when carrying out work during which the plug-in tool could strike concealed power cables or its own mains lead. Contact with a live cable can also make the metal parts of the equipment live and will cause an electric shock.
- Always be sure you have a firm footing.
- Position yourself to avoid being caught between the tool and walls or posts. Should the chisel become bound



or jammed in the work, the reaction of the tool could crush your hand or leg.

- Do not drill, fasten or break into existing walls or other blind areas where electrical wiring may exist. If this situation is unavoidable, disconnect all fuses or circuit breakers feeding this worksite.
- Use a metal detector to determine if there are gas or water pipes hidden in the work area or call the local utility company for assistance before beginning the operation. Striking or cutting into a gas line will result in explosion. Water entering an electrical device may cause electrocution.
- Do not use dull or damaged chisels and accessories. Dull or damaged chisels have a greater tendency to bind in the workpiece.
- Keep hands away from moving parts.
- Do not leave the tool running. Operate the tool only when hand-held.
- Never place the tool down until the motor has come to a complete stop.
- Do not touch the chisel or parts close to the chisel immediately after operation; they may be extremely hot and could burn your skin.
- When removing the chisel from the tool avoid contact with skin and use proper protective gloves when grasping the chisel or accessory. Accessories may be hot after prolonged use.

UNPACKING

When unpacking, check to make sure that all components are included. Refer to the drawings on this manual. If any parts are missing or broken, please call an IVT assistance center.

INITIAL OPERATION

Always use the correct supply voltage: the power supply voltage must match the information quoted on the tool identification plate.

AUXILIARY HANDLE (3)



WARNING! Always pull the power plug before making adjustments to the equipment.

Mounting the auxiliary handle (3)

For safety reasons you must only use the demolition breaker with the auxiliary handle (3). The auxiliary handle (3) enables you to achieve better stability whilst using the demolition breaker.

The auxiliary handle (3) can be turned into any required

position:

1. Undo the screw of the auxiliary handle (4) [F1].
2. Turn the auxiliary handle (3) into the most comfortable working position for yourself.
3. Tighten the screw of auxiliary handle (4) back.

REPLACING CHISELS

Inserting the chisel [F2]

1. Clean the chisel before fitting it and apply a thin coating of grease to the tool shaft.
2. Pull out the locking bolt (5) as far as possible, turn it through 180° and release it.
3. Insert the chisel into the chuck (6) and push it in as far as possible.
4. Pull out the locking bolt (5) again, turn it through 180° in the opposite direction and release it.
5. Check the lock by pulling the chisel.

Removing the chisel

- To remove the chisel, proceed in reverse order.

SWITCHING ON / OFF [F3]

Before starting the tool, check the drilling point for concealed electrical cables, gas and water pipes using a cable / pipe detector.



WARNING! To avoid danger, the machine must only be held using both the handle (1) and the auxiliary handle (3). Otherwise you may suffer an electric shock if you chisel into cables.

Switching On

Press the On / Off switch (2).

Switching Off

Release the On / Off switch (2).

PRACTICAL TIPS



ATTENTION! You only require slight contact pressure for chiseling. Excessive contact pressure will place an unnecessary strain on the motor.

Sharpening chisels

You will only achieve good results if you use sharp chisels. You should therefore sharpen the chisels promptly to ensure that they produce good results and provide a long service life.

Check the chisels at regular intervals. Sharpen or replace blunt chisels.

MAINTENANCE AND STORAGE



Before any work on the device itself, pull the mains plug.

- Always keep the tool and the ventilation slots (if present) cleaned. Regular cleaning and maintenance of the appliance will ensure efficiency and prolong the life of your tool.
- If the tool should fail despite the rigorous manufacturing and testing procedures, the repair should be carried out by an authorized IVT customer service.
- Keep all nuts, bolts, and screws tight, to be sure the tool is in safe working condition.
- Replace worn or damaged parts for safety.
- Use only original spare parts. Parts not produced by manufacturer may cause poor fit and possible injury.
- Store the tool in a dry room out of reach of kids and away from any flammable material.
- Never wet the device or spray water on it!

Check the oil level

Check the oil level before using the machine:

- Place the machine on the floor with the chuck (6) pointing downwards. The oil must be at least 3 mm above the bottom edge of the inspection window (7).

Oil change [F4]

The oil should be changed after around 40-50 hours of use.

1. Switch off the machine and pull the mains plug out of the socket.
2. Undo the hexagonal head screw with the inspection window (7) using the hexagonal spanner (8) and drain the oil. To prevent the oil from running out in an uncontrolled manner, hold a small metal chute under the opening and collect the oil in a vessel until it has fully drained out of the machine.

Important! The waste oil must be disposed of in the appropriate collection point for waste oil.

3. Add new oil through the oil filler opening (7) until the oil level reaches the required level.
4. Tighten the head screw with the inspection window (7) again.
5. Re-check the oil level after a short period of operation.

ENVIRONMENTAL PROTECTION



Recycle raw materials instead of disposing as waste.

Tool, accessories and packaging should be sorted for environment-friendly recycling.

The plastic components are labeled for categorized recycling. These instructions are printed on recycled paper manufactured without chlorine.



Vertical column of 15 empty rectangular boxes on the right side of the page.



ATTENTION! DO NOT ATTEMPT TO REPAIR THE PRODUCT BY YOURSELF AND DO NOT TAMPER WITH IT! Any operation of repairing or extraordinary maintenance must be carried out only by a qualified and authorized IVT Service Center. Do not try to modify any internal part of the product! **THIS WILL COMPLETELY VOID THE WARRANTY AND IT COULD CAUSE SERIOUS INJURY AND DAMAGE.**

TECHNISCHE DATEN DES WERKZEUGES

Modell	DBRK-1500
Spannung ~ Stromfrequenz [V ~ Hz]	230 ~ 50
Nennleistung [W]	1500
Nennfrequenz von Schlägen [Schläge pro Minute]	1900
Schlagenergie [Joule]	45
Vibrationsniveau [m/sek ²]	18.575 (K=1.5)
Schalldruckpegel [in Dezibel A]	92.87 (K=3)
Schalleistungspegel [in Dezibel A]	105.00 (K=3)
Gewicht [Kg]	14
Sicherheitsklasse	II

ZUBEHÖRTEILE

1. Handgriff
2. Schalter AUS - EIN
3. Hilfshandgriff
4. Spindel des Hilfshandgriffes
5. Sicherungsbolzen
6. Patrone
7. Öffnung des Ölspiegels / Ausflussöffnung
8. Sechskantschraubenschlüssel

BOXGEHALT

Bedienungsanleitung (1 St.), Pyramidenmeißel (1 St.), Flachmeißel (1 St.), Zusatzgriff (1 St.), sechskantiger Doppelringschlüssel (1 St.), Kohlekontakte (1 Satz).

VORAUSSICHTLICHE BENUTZUNG

Dieses Modell des Abstoßhammers ist für das Zerstören von Objekten und das Zerteilen mit einem ausgewählten Meißel bei schweren Betrieben bestimmt.

ARBEITSSICHERHEIT BEI DER BENUTZUNG

Allgemeine Regeln der Arbeitssicherheit

Folgende Anleitungen zur Arbeitssicherheit helfen Ihnen das Werkzeug richtig benutzen und Ihre eigene Sicherheit gewährleisten. Deswegen lesen Sie sie besonnen und aufmerksam.

Im Falle der Übergabe des Werkzeuges für die Benutzung eines Dritten, geben Sie ihm auch vorliegende Anleitungen der Arbeitssicherheit.

Behalten Sie diese Anleitung und sonstige Literatur, die mitgeliefert werden. Wenden Sie sich an sie, wenn die Fragen entstehen.

Folgen Sie strikt den Regeln der Arbeitssicherheit und

Warnungen, die am Werkzeug angegeben sind.

Vor der Arbeit machen Sie sich mit der Werkzeugsteuerung bekannt, aber, vor allem, studieren Sie die Verfahren seines Nothalts.

Indem Sie diesen einfachen Anleitungen folgen, werden Sie Ihr Werkzeug im einwandfreien Zustand halten.

- Vor dem Einsatz ist das Werkzeug richtig zu montieren.

- Setzen Sie das Werkzeug streng zweckgemäß.

- Nehmen Sie Warnungstafeln und Hinweise am Werkzeug und studieren Sie sie aufmerksam. Aufmerksamkeit, vernünftiges Herangehen zur Arbeit und eine entsprechende Ausbildung von Personen, die am Betrieb, Transportieren, an der Wartung und Lagerhaltung des Werkzeuges teilnehmen, helfen Unfälle verhindern.

- Lassen Sie das Werkzeug ohne Aufsicht nicht.

- Lassen Sie die Benutzung des Werkzeuges durch Kinder nicht zu. Erlauben Sie den Kindern nicht, mit dem Werkzeug zu spielen. играть с инструментом.

- Lassen Sie das Auffinden von Kindern und Tieren in der Nähe des Werkzeuges nicht zu. Die, die den Wunsch haben, die Arbeit des Werkzeuges zu beobachten, sollen sich im sicheren Abstand von ihm befinden.

- Bei der Arbeit mit dem Werkzeug haftet der Benutzer für die Sicherheit von Dritten.

- Personen, die Bedienungsanleitung nicht studiert haben, Kinder, Minderjährige, die das Alter, das die Benutzung des Werkzeuges erlaubt, nicht erreicht haben, sowie Personen, die sich im Alkohol- oder Rauschzustand oder unter Wirkung medizinischer Präparate befinden, werden zur Arbeit mit dem Werkzeug nicht zugelassen. Das Alter des Bedienenden wird durch örtliche Rechtsvorschriften bestimmt.



VORSICHT! Alkohol, einige Heilmittelpräparate und berauschende Mittel sowie Krankheit, Fieber und Müdigkeit vermindern die Geschwindigkeit der Reaktion. In oben genannten Fällen benutzen Sie das Werkzeug nicht.

- Versichern Sie sich, dass alle Schutzeinrichtungen (falls vorhanden) installiert und nutzungsfähig sind.
- Benutzen Sie das Werkzeug ohne Schutzeinrichtungen (falls vorhanden), oder falls sie beschädigt sind, nicht.
- Prüfen Sie das Werkzeug in bezug auf den Bestand von losen Teilstücken (Muttern, Bolzen, Schrauben usw.) oder Beschädigungen. Um sichere Arbeit des Werkzeuges zu gewährleisten, prüfen Sie regelmäßig, ob Bolzen und Schrauben gut festgezogen sind (falls vorhanden). Bei Bedarf führen Sie vor dem Einsatz des Werkzeuges ihre Reparatur oder ihren Austausch durch. Im Falle des Einsatzes des beschädigten Werkzeuges können dem Bedienenden oder Dritten ernste Verletzungen zugefügt werden.
- Verwenden Sie bei der Arbeit eine entsprechende Arbeitskleidung. Weite Kleidung, Schmuckstücke können von beweglichen Teilen mitgenommen werden. Arbeiten Sie nur in entsprechender Arbeitskleidung. Schützen Sie ihre Beine und Füße vor auseinanderfliegender Feine. Arbeiten Sie barfuß oder in offenen Sandalen nicht. Tragen Sie langes Haar hinten zusammen.
- Halten Sie Haltegriffe und Halter trocken und sauber.
- Verwenden Sie entsprechende PSA. Verwenden Sie Schutzbrille und Handschuhe. Bei der Arbeit mit Pulvern oder bei dem Auswurf von Abgasen verwenden Sie den Staubrespirator. Bei Bedarf ziehen Sie gleitsichere Schuhe, den Schutzhelm und schützen Sie ihre Gehörgänge mit Ohrstöpseln. Wenn die Lautstärke 85 dB(A) überschreitet, verwenden Sie unbedingt Gehörschützer.



VORSICHT! Verwenden Sie persönliche Schutzausrüstung! Die Schutzeinrichtungen und PSA gewährleisten die Sicherung ihrer Gesundheit und die Gesundheit der Umstehenden sowie garantieren störungsfreie Arbeit des Werkzeuges.

- Lassen Sie das Werkzeug nicht an, wenn es umgedreht oder im Ruhezustand ist.
- Während der Arbeit nehmen Sie die Beharrungsstellung. Halten Sie immer das

Gleichgewicht.

- Halten Sie die Sauberkeit im Arbeitsbereich ein. Auf den gesperrten Abschnitten ist ein hohes Niveau von Unfällen. Vor dem Einsatz des Werkzeuges räumen Sie von der Arbeitsfläche alle Fremdkörper auf sowie vermeiden Sie den Eintritt von Fremdkörpern unter das Werkzeug während der Arbeit.
- Drücken Sie stark auf das Werkzeug während der Arbeit nicht.
- Benutzen Sie das Werkzeug nur bei gutem Tages- oder Kunstlicht. Benutzen Sie das Werkzeug bei schlechter Sicht nicht.
- Lassen Sie das Werkzeug nicht fallen, lassen Sie den Anstoß des Werkzeuges auf irgendwelche Hindernisse nicht zu.

VORSICHT! Gut aufpassen. Schauen Sie von dem durch das Werkzeug bearbeitenden Stück nicht weg. Indem man ablenkt, kann man die Steuerung verlieren. Arbeiten Sie vernünftig.

Regeln der elektrischen Sicherheit

ACHTUNG! Um den Stromschlag, die Schadenzufügung der Gesundheit oder die Entflammung bei der Verwendung von Elektrowerkzeugen zu vermeiden, muss man folgende Arbeitsschutzvorschriften beachten. Vor dem Einsatz des Werkzeuges lesen Sie diese Anleitungen und folgen Sie ihnen streng.

- Um ein entsprechendes Sicherheitsniveau sicherzustellen, empfiehlt es sich, die Differentialschutzanlage (DSA) zu verwenden, die auf den Abschaltstrom nicht mehr als 30 mA errechnet ist. Prüfen Sie die Einsatzfähigkeit der DSA bei jedem Einsatz. Lassen Sie sich von einem qualifizierten Elektriker beraten.



ACHTUNG! Der Einsatz der PSA oder einer anderen Einrichtung der Schutzabschaltung entbindet den Bedienenden von der obligatorischen Bekanntmachung mit Arbeitsschutzvorschriften und Methoden unfallfreier Arbeit, die in dieser Anleitung angegeben sind.

- Die Netzspannung soll dem Wert, der auf dem Etikett und in der Anleitung angegeben ist, entsprechen. Verwenden Sie andere Speisungsquellen nicht.
- Vor der Anschaltung des Werkzeuges an das Netz versichern Sie sich, dass die Steckdose den Angaben, die auf dem Etikett angegeben sind, entspricht.



Bedienungsanleitung

- Berühren Sie mit dem Körper geerdete Flächen (Röhre, Heizkörper und Kältevorrichtungen) nicht. Bei der Erdung durch den Körper erhöht sich das Risiko des Stromschlages.



VORSICHT! Zur Vermeidung der Verbrennung oder der Stromschädigung Leitstücke nicht berühren.

- Ziehen Sie für die Netzschnur bei der Verschiebung des Werkzeuges nicht.
- Benutzen Sie die Netzschnur mit Vorsicht. Schützen Sie die Netzschnur vor Wärmeeinwirkung, vermeiden Sie ihren Kontakt mit Schmierstoffen sowie mit scharfen Sachen oder beweglichen Teilen.
- Seien Sie mit der Netzschnur vorsichtig.
- Verwenden Sie Elektrowerkzeuge in der Nähe von leichtentflammaren Flüssigkeiten und Brenngasen nicht.
- Bevor Sie das Werkzeug auf einen anderen Platz übertragen, schalten Sie es von dem Netz frei.



VORSICHT! Das Werkzeug ist zuerst auszuschalten und dann von der Steckdose oder Verlängerungsschnur freizuschalten.

- Drücken Sie die Netzschnur oder die Verlängerungsschnur während der Arbeit des Werkzeuges nicht durch und verwickeln Sie sie nicht. Haben Sie das Kabel immer im Auge.
- Schließen Sie das Netzkabel unmittelbar an das Werkzeug selbständig nicht an. Wenden Sie sich an das nächste offizielle Dienstleistungszentrum.
- Bei der Schnurbeschädigung soll sie unbedingt der Hersteller oder sein Agent, oder eine andere sachkundige Person austauschen.
- Ziehen Sie umgehend den Stecker aus der Steckdose heraus, wenn die Netzschnur beschädigt oder eingeschnitten ist.



ACHTUNG! STROMSCHLAGEGEFAHR!

Lenken Sie Ihre Aufmerksamkeit auf Ihren Arbeitsplatz. Benutzen Sie Elektrowerkzeuge unter Regen nicht. Benutzen Sie Elektrowerkzeuge in feuchten und nassen Räumen nicht. Halten Sie ihren Arbeitsbereich trocken, sichern Sie gute Beleuchtung. Schützen Sie das Werkzeug vor Feuchtigkeit. Lassen Sie das Werkzeug in der Freiluft über Nacht nicht. Beim Wassereindringen in

das Werkzeug erhöht sich das Risiko des Stromschlages.

- Prüfen Sie die Netzschnur auf das Vorhandensein von Beschädigungen und Zeichen der Abnutzung regelmäßig und vor jedem Einsatz. Benutzen Sie das Werkzeug mit der beschädigten Netzschnur nicht; Wenden Sie sich an das offizielle Dienstleistungszentrum.
- Bei der Arbeit draußen verwenden Sie nur dafür bestimmte Verlängerungsschnur mit einer entsprechenden Markierung. Vermeiden Sie den Eintritt der Verlängerungsschnur unter das Werkzeug, schützen Sie sie vor Feuchtigkeit, vor Wärmeeinwirkung, vermeiden Sie den Kontakt mit Schmierstoffen und leichtentflammenden Stoffen.
- Vermeiden Sie zufälliges Anlassen des Werkzeuges: vor dem Anschluss des Werkzeuges an das Netz versichern Sie sich, dass der Schalter (falls vorhanden) in die Position 'off' (AUS) umgeschaltet ist.
- Vor dem Anlassen des Werkzeuges entfernen Sie Einstellkeile und Stellschlüssel.
- Benutzen Sie das Werkzeug mit dem gestörten Schalter nicht. Das Werkzeug mit dem gestörten Schalter ist gefährlich und erfordert die Reparatur.



ACHTUNG! Manchmal während der Arbeit mit Elektrowerkzeugen bildet sich Staub, der die den Krebs erregende Stoffe enthält.

Zu solchen chemischen Stoffen gehören: Blei in Bleioxid, Quarz, der zum Bestand des Backsteins und des Zements gehört, Arsen und Chrom, die im Schnittholz, das durch chemische Reagens behandelt ist, enthalten sind, und sonstige schädliche Stoffe. Das Risiko der Einwirkung dieser chemischen Stoffe hängt von der Häufigkeit der Durchführung der mit ihnen verbundenen Arbeiten ab.

Um ihre schädliche Einwirkung zu reduzieren, arbeiten Sie in einem gut gelüfteten Raum und benutzen Sie entsprechende fehlerfreie PSA, z.B., Staubrespiratoren, die speziell für die Ausfrierung von mikroskopischen Teilchen entwickelt sind.

- Bei dem Eintritt eines Fremdkörpers unter das Werkzeug prüfen Sie es auf das Vorhandensein von Beschädigungen und machen Sie eine notwendige Reparatur.
- Bei dem Entstehen der Übervibration schalten Sie das Werkzeug aus und stellen Sie umgehend die Ursache fest. Die Vibration ist gewöhnlich ein Zeichen der Störung.
- Bevor Sie Ihren Arbeitsplatz verlassen, führen Sie die Reparatur, Sichtkontrolle oder Reinigung des Werkzeuges, schalten Sie es aus und warten Sie auf



vollständiges Stoppen von beweglichen Teilen.

- Es ist verboten, die Innenteile des Werkzeuges abzumontieren und zu ändern.

Besondere Arbeitsschutzvorschriften

- Vor der Anwendung des Abstoßhammers ist immer den Arbeitsschutzhelm (den Schutzhelm), Schutzbrille oder ein Mittel für den Augenschutz (normale Brille oder Sonnenbrille sind keine PSA) anzuziehen. Sie können Stoffsplitter, die ins Gesicht und in die Augen fliegen können, abschlagen.
- Einige Materialien enthalten chemische Stoffe, die giftig sein können und Probleme mit der Atmung wegen des Staubs oder Gases, die bei der Zerlegung des Materials entstehen, hervorrufen können. Man muss vorsichtig sein und das Aufatmen des Staubs und sein Treffen auf die Haut vorbeugen. Es ist eine Schutzmaske und dicke Schutzhandschuhe anzuziehen.
- Es ist dicke dämpfende Handschuhe zu verwenden und die Zeit der schädlichen Wirkung des Abstoßhammers durch mehrmalige Pausen in der Arbeit einzuschränken. Die Vibration, die bei der Arbeit des Abstoßhammers entsteht, kann Ihre Hände verletzen.
- Es sind Lärmschutzkopfhörer bei der Arbeit mit dem Abstoßhammer zu tragen. Die Dauerwirkung des Lärmes von hoher Intensität kann den Hörverlust hervorrufen.
- Bei der Arbeit mit dem Abstoßhammers auf der Höhe ist die Abwesenheit von Menschen auf dem darunterliegenden Territorium zu prüfen. Man muss sich von der Abwesenheit der Menschen in der gefährlichen Nähe von der Arbeitszone überzeugen lassen.
- Bei der Arbeit ist den Abstoßhammer auf die Menschen, die sich in der Arbeitszone befinden, nicht hinlenken. Der Meißel kann aus dem Abstoßhammer wegfiegen und den Menschen ernst verletzen.
- Vor der Arbeit soll man sich von der sicheren Befestigung des Meißels im Abstoßhammer überzeugen.
- Der Abstoßhammer ist für die Vibration unter Normalbedingungen der Arbeit berechnet. Die Spindeln können bei der Vibration herunterkommen und den Schadensfall des Abstoßhammers oder den Unfall hervorrufen. Vor der Arbeit soll man die Spannkraft der Spindeln sorgfältig prüfen.
- Vor der Arbeit bei dem kalten Wetter oder nach einer langen Pause muss man eine Zeit lang den Abstoßhammer erwärmen, indem man ihn im Leergang anschaltet. Dabei wird das Schmiermittel des Abstoßhammers verflüssigt. Ohne genügendes Anwärmen wird der Abstoßhammer schlecht arbeiten.
- Den Abstoßhammer fest mit beiden Händen halten.
- Den Hilfshandgriff, der mit dem Abstoßhammer komplett geliefert wird, anwenden. Für eine bessere

Handhabung des Abstoßhammers muss man ihn immer für beide Handgriffe halten. Es ist nie zu versuchen, mit dem Abstoßhammer zu arbeiten, indem man ihn für einen Handgriff hält. Bei der Arbeit entsteht leistungsstarke Schlagkraft, und man kann die Handhabung des Abstoßhammers verlieren, wenn man ihn mit einer Hand zu halten versucht. Der Verlust der Kontrolle über dem Abstoßhammer kann zu Verletzungen führen.

- Bei den Arbeiten, bei denen der angeschaltete Abstoßhammer auf versteckte Leistungskabel oder auf eigene Kraftleitung schlagen kann, muss man den Abstoßhammer für isolierte Handgriffe halten. Bei dem Kontakt mit dem Kabel unter Belastung können Metallteile des Abstoßhammers auch unter Spannung kommen und zum Grund der Verletzung durch den Strom werden.
- Die Festigkeit für den Fußstutz immer prüfen.
- Bei der Arbeit muss man sich so hinstellen, um das Einspannen zwischen dem Abstoßhammer und Wänden oder Stützen zu vermeiden. Wenn bei der Arbeit der Meißel gespannt oder eingeklemmt bleibt, so kann der Rückstoß des Abstoßhammers den Arm oder das Bein des Arbeiters zu zerschmettern.
- Man kann vorhandene Wände oder sonstige Zonen, die zur Sichtkontrolle unzugänglich sind und in denen Elektroleitung sein kann, mit dem Abstoßhammer nicht durchlöchern und durchbrechen. Wenn solche Arbeit aber notwendig ist, muss man alle Sicherungen oder Schalter, über die die Stromversorgung zum Arbeitsbereich eingespeist wird, abklemmen oder ausschalten.
- Vor der Arbeit ist es mit Hilfe des Metallsuchers das Vorhandensein von Gas oder Wasserleitungen, die auf dem Platz der Arbeitsausführung verborgen sind, festzustellen oder örtliche Firma, die für Versorgungsleitungen zuständig ist, herzubestellen. Der Schlag mit dem Meißel oder das Einschneiden in die Gasleitung führt zur Explosion. Das Eindringen des Wassers in das elektrische Instrument kann die Stromverletzung hervorrufen.
- Stumpfe und schadhafte Meißel und Vorrichtungen nicht anwenden. Stumpfe und schadhafte Meißel können mit großer Wahrscheinlichkeit im Objekt der Arbeit eingespannt werden.
- Die Hände zu beweglichen Teilen des Abstoßhammers nicht nähern.
- Den arbeitenden Abstoßhammer aus den Händen nicht lassen. Die Arbeit ausführen, indem man den Abstoßhammer mit den Händen hält.
- Den Abstoßhammer auf den Fußboden nicht legen, bis der Motor stillgesetzt wird.
- Sofort nach der Arbeit den Meißel oder die neben ihm liegenden Teile nicht berühren; sie können sehr heiß sein und können die Haut brennen.
- Bei der Gewinnung des Meißels aus dem Abstoßhammer ist es den Kontakt mit der Haut



Bedienungsanleitung

vorzubeugen, und für das Greifen des Meißels oder der Vorrichtung ist es passende Schutzhandschuhe anzuwenden. Nach der langen Arbeit können die Vorrichtungen sehr heiß werden.

AUFSCHLUSS DER VERPACKUNG

Bei dem Aufschluss der Verpackung prüfen Sie das Vorhandensein des Zubehörs. Vgl. Zeichnungen zu dieser Anleitung. Bei dem Fehlen oder Defekt von einigen Teilen wenden Sie sich an das Dienstleistungszentrum IVT.

BEGINN DES BETRIEBS

Der Spannungswert soll dem auf dem Schild der Passangaben angegebenen Wert des Werkzeuges entsprechen.

HILFSHANDGRIFF (3)



ACHTUNG! Schalten Sie immer den Netzstecker des Abstoßhammers vor seiner Instandsetzung frei.

Festigung des Hilfshandgriffes (3)

Wenden Sie immer zur Sicherheit den Hilfshandgriff (3) bei der Arbeit mit dem Abstoßhammer. Der Hilfshandgriff (3) lässt eine größere Festigkeit bei der Arbeit erreichen.

Den Hilfshandgriff (3) kann man in eine beliebig notwendige Lage einstellen:

1. Die Spindel des Hilfshandgriffes herunterkommen lassen (4) [F1].
2. Den Hilfshandgriff (3) in eine für die Arbeit bequeme Lage drehen.
3. Die Spindel wieder anziehen (4).

WECHSEL DES MEISSELS

Einstellen des Meißels [F2]

1. Vor dem Einstellen wischen Sie den Meißel ab und bringen Sie eine Dünnschicht des Schmierfettes auf den Kern des Instrumentes.
2. Ziehen Sie den Sicherungsbolzen weit wie möglich zurück (5), drehen Sie ihn auf 180° und schnellen ihn ab.
3. Setzen Sie den Meißel in die Patrone ein (6) und stoßen Sie ihn hinein so weit wie möglich.
4. Ziehen Sie den Sicherungsbolzen wieder (5), drehen Sie ihn auf 180° in eine andere Seite und schnellen ihn ab.
5. Prüfen Sie die Sicherheit des Verschlusses, indem Sie den Meißel herauszuziehen versuchen.

Gewinnung des Meißels

- Für die Gewinnung des Meißels machen Sie die obengenannten Arbeitsgänge in umgekehrter Reihenfolge.

AUSSCHALTEN / EINSCHALTEN [F3]

Vor dem Einschalten des Abstoßhammers ist es mit Hilfe des Kabelsuchers/Metallsuchers des Vorhandenseins von Leistungskabeln sowie von Gas- und Wasserleitungen, die auf dem Platz des Zerbrechens des Objektes verborgen sind, festzustellen.



ACHTUNG! Um die Gefahr zu vermeiden, muss man den Abstoßhammer nur für den Haupthandgriff (1) und für den Hilfshandgriff (3) halten. Im Gegenfall kann man bei dem Schlag auf den Leistungskabel die Stromverletzung bekommen.

Einschalten

Drücken und in der gedrückten Stellung den Schalter EIN./AUS. fixieren (2)

Ausschalten

Den Schalter EIN./AUS. (2) aus der gedrückten Stellung herausnehmen.

NUTZINFORMATION



ACHTUNG! Für die Arbeit mit dem Meißel braucht man nur einen geringen Druck auf die Oberfläche des Objektes. Übermäßiger Kontaktdruck des Meißels führt zur überflüssigen Überlastung des Motors.

Anschleifen des Meißels

Gute Resultate der Arbeit kann man erreichen, wenn der Meißel angeschliffen ist. Deswegen ist es notwendig, den Meißel für seine effektive und langfristige Arbeit rechtzeitig anzuschleifen.

Den Meißel regelmäßig zu untersuchen. Das abgestumpfte Instrument anschleifen oder austauschen.



WARTUNG UND LAGERHALTUNG



VORSICHT! Bevor Sie die Arbeit mit dem Werkzeug beginnen, schalten Sie es von der Steckdose frei.

- Halten Sie das Werkzeug und Luftöffnungen (falls vorhanden) sauber. Regelmäßige Reinigung und Wartung garantieren eine hohe Effektivität und einen langen Betrieb des Werkzeuges.
- Im Falle des Versagens, ungeachtet der Einhaltung aller Regeln des Betriebes und der Erprobung des Werkzeuges, soll die Reparatur in einem offiziellen Dienstleistungszentrum IVT durchgeführt werden.
- Alle Muttern, Bolzen und Schrauben sollen festgezogen sein.
- Tauschen Sie beschädigte oder abgenutzte Teile aus.
- Verwenden Sie nur die Originalersatzteile. Die Teile, die von einem anderen Hersteller produziert sind, passen undicht und erhöhen das Risiko von Verletzungen.
- Bewahren Sie das Werkzeug auf einem trockenen für Kinder unzugänglichen Platz, in der sicheren Entfernung von leichtentflammenden Stoffen auf.
- Vermeiden Sie das Treffen des Wassers auf das Werkzeug!

Prüfung des Ölneiveaus

Das Ölneiveau vor dem Einsetzen des Abstoßhammers prüfen:

- Den Abstoßhammer auf den Fußboden mit der Patrone (6) nach unten stellen. Das Ölneiveau soll mindestens 3 mm höher als Unterrand der Schauöffnung (7) sein.

Wechsel des Schmieröls [F4]

Das Schmieröl ist etwa in 40-50 Betriebsstunden zu wechseln.

1. Den Abstoßhammer ausschalten und den Verbindungsstecker von der Steckdose abschalten.
2. Die Sechskantenschraube und die Schauöffnung (7) mit Hilfe des geschlossenen Schraubenschlüssels (8) ausdrehen und das Schmieröl abschütten. Um das unkontrollierbare Ausfließen des Schmieröls zu vermeiden, muss man unter der Ausflussöffnung eine kleine Metallgerinne halten und das ganze Schmieröl, das aus der Öffnung fließt, in einen Behälter sammeln. **Achtung! Das Schmutzöl soll in einem entsprechenden Sammelpunkt von Schmutzölen verwertet werden.**
3. Das Frischöl über die Ausflussöffnung (7) bis zum erforderlichen Niveau eingießen.
4. Die Sechskantenschraube und die Schauöffnung wieder eindrehen und anziehen (7).
5. Nach einer kurzen Zeit das Ölneiveau in der Vorrichtung wieder prüfen.

UMWELTSCHUTZ



Befördern Sie Müll und Abfälle zur Überarbeitung!

Das Werkzeug, Zusatzgeräte und Verpackung sind zur ökologisch sicheren Überarbeitung zu befördern. Die Elemente aus Kunststoff haben einen Vermerk über die Möglichkeit einer klassifizierten Überarbeitung. Die vorliegende Anleitung ist auf dem Recyclingpapier, das kein Chlor enthält, gedruckt.



ACHTUNG! ES IST VÖLLIG UNZULÄSSIG, DIE REPARATUR DES ERZEUGNISSES SELBSTÄNDIG DURCHZUFÜHREN UND ZU VERSUCHEN, IHRE SPUREN ZU VERBERGEN! Nur das autorisierte IVT-Service-Zentrum hat das Recht auf die Durchführung der Reparatur und erweiterte Aufrechterhaltung. Die Eintragung von Änderungen in den Innenausbau des Erzeugnisses ist verboten! SOLCHE HANDLUNGEN SIND NICHT DER GRUND FÜR DEN VERZICHT AUF DIE GARANTIEVERPFLICHTUNGEN, SIE KÖNNEN AUCH ALS GRUND FÜR BESCHÄDIGUNGEN UND ERNSTE KÖRPERVERLETZUNGEN SEIN.

ТЕХНИЧЕСКИЕ ХАРАКТЕРИСТИКИ ИНСТРУМЕНТА

Модель	DBRK-1500
Напряжение ~ Частота тока [В ~ Гц]	230 ~ 50
Номинальная мощность [Вт]	1500
Номинальная частота ударов [ударов в минуту]	1900
Энергия удара [Дж]	45
Уровень вибраций [м/сек. ²]	18.575 (K=1.5)
Уровень звукового давления [в децибелах А]	92.87 (K=3)
Уровень звуковой мощности [в децибелах А]	105.00 (K=3)
Вес [кг]	14
Класс безопасности	II

КОМПЛЕКТУЮЩИЕ ДЕТАЛИ

1. Рукоятка
2. Переключатель "ВКЛ. - ВЫКЛ."
3. Вспомогательная рукоятка
4. Винт вспомогательной рукоятки
5. Стопорный болт
6. Патрон
7. Окно уровня масла/сливное отверстие
8. Шестигранный накидной ключ

СОДЕРЖИМОЕ КОРОБКИ

Инструкция по эксплуатации (1 шт.), пирамидальное долото (1 шт.), плоское долото (1 шт.), дополнительная рукоятка (1 шт.), шестигранный накидной ключ (1 шт.), угольные щетки (1 набор).

ПРЕДПОЛАГАЕМОЕ ИСПОЛЬЗОВАНИЕ

Данная модель отбойного молотка предназначена для разрушения объектов и рубки выбранным долотом при тяжелых режимах работы.

ТЕХНИКА БЕЗОПАСНОСТИ ПРИ ИСПОЛЬЗОВАНИИ

Общие правила техники безопасности

Следующие инструкции по технике безопасности помогут вам правильно пользоваться инструментом и обеспечить собственную безопасность. Поэтому прочитайте их вдумчиво и внимательно.

В случае передачи инструмента для использования третьему лицу передайте и настоящие инструкции по технике безопасности.

Сохраните данную инструкцию и прочую литературу, входящую в комплект поставки. Обращайтесь к ней в случае возникновения вопросов.

Строго следуйте правилам техники безопасности и предостережениям, указанным на инструменте.

Перед началом работы ознакомьтесь с органами управления инструмента, но, прежде всего, изучите способы его экстренной остановки.

Следуя этим простым инструкциям, и вы будете содержать ваш инструмент в исправном состоянии.

- Перед использованием инструмент необходимо правильно собрать.

- Используйте инструмент строго по назначению.

- Отнеситесь внимательно к предупредительным надписям и указаниям на инструменте и внимательно изучите их. Внимательность, разумный подход к работе и соответствующая подготовка лиц, задействованных в эксплуатации, транспортировке, обслуживании и хранении инструмента, помогут предотвратить несчастные случаи.

- Не оставляйте инструмент без присмотра.

- Не допускайте использования инструмента детьми. Не позволяйте детям играть с инструментом.

- Не допускайте нахождения вблизи инструмента детей и животных. Те, кто желает понаблюдать за работой инструмента, должны находиться на безопасном расстоянии от него.

- При работе с инструментом пользователь несет ответственность за безопасность третьих лиц.

- Лица, не ознакомленные с инструкциями по эксплуатации, дети, несовершеннолетние, не достигшие возраста, позволяющего использовать инструмент, а также лица, находящиеся в состоянии алкогольного или наркотического опьянения, либо под воздействием медицинских препаратов, не допускаются к работе с инструментом. Возраст оператора устанавливается местными нормативными актами.



ОСТОРОЖНО! Алкоголь, некоторые лекарственные препараты и наркотические вещества, а также состояние нездоровья, жар и утомление снижают скорость реакции. Не используйте данный инструмент в вышеперечисленных случаях.

- Убедитесь, что все защитные приспособления (если таковые имеются) установлены и пригодны к эксплуатации.
- Не используйте инструмент без защитных приспособлений (если таковые имеются), либо если они повреждены.
- Осмотрите инструмент на наличие незакрепленных деталей (гаек, болтов, винтов и т.д.) или повреждений. Чтобы обеспечить безопасную работу инструмента, периодически проверяйте, хорошо ли затянуты болты и винты (если таковые имеются). При необходимости перед использованием инструмента произведите их ремонт или замену. В случае использования поврежденного инструмента оператору или посторонним лицам могут быть нанесены серьезные травмы.
- Используйте для работы соответствующую спецодежду. Просторная одежда, украшения могут быть затянута движущимися частями. Работайте только в подходящей спецодежде. Защитите ноги и ступни от разлетающегося мусора. Не работайте босиком или в открытых сандалиях. Соберите длинные волосы сзади.
- Содержите ручки и рукоятки в чистоте и сухости.
- Используйте соответствующие СИЗ. Используйте защитные очки и перчатки. При работе с порошками или при выбросах выхлопных газов используйте противопылевой респиратор. При необходимости наденьте нескользкую обувь, каску и защитите органы слуха берушами. Если уровень шума превышает 85 дБ(А), обязательно используйте защитные наушники.



ОСТОРОЖНО! Пользуйтесь средствами индивидуальной защиты! Защитные приспособления и СИЗ обеспечивают сохранность вашего здоровья и здоровья окружающих, а также гарантируют бесперебойную работу инструмента.

- Не запускайте инструмент, если он перевернут или находится в нерабочем положении.
- Во время работы примите устойчивое

положение. Постоянно сохраняйте равновесие.

- Соблюдайте чистоту на рабочем участке. На загроможденных участках наблюдается высокий уровень травматизма. Перед использованием инструмента уберите с рабочей площадки все посторонние предметы, а также избегайте попадания под инструмент посторонних предметов во время работы.
- Не давите на инструмент с силой во время работы.
- Используйте инструмент только при хорошем дневном или искусственном освещении. Не используйте инструмент в условиях плохой видимости.
- Не роняйте инструмент, не допускайте столкновения инструмента с какими-либо препятствиями.

ОСТОРОЖНО! Будьте внимательны. Не отводите взгляд от обрабатываемого инструментом предмета. Отвлечшись, можно потерять управление. Подходите к работе разумно.

Правила электробезопасности

ВНИМАНИЕ! Во избежание удара электрическим током, причинения вреда здоровью или возгорания при использовании электроинструментов необходимо соблюдать следующие инструкции по технике безопасности. Перед использованием инструмента прочтите и точно соблюдайте данные инструкции.

- Чтобы обеспечить соответствующий уровень безопасности, рекомендуется использовать устройство дифференциальной защиты (УДЗ), рассчитанное на ток отключения не более чем 30 мА. Проверяйте исправность УДЗ при каждом использовании. Проконсультируйтесь у квалифицированного электрика.



ВНИМАНИЕ! Использование УДЗ или другого устройства защитного отключения не освобождает оператора от обязательного ознакомления с правилами техники безопасности и приемами безопасной работы, указанными в данной инструкции.

- Напряжение сети должно соответствовать значению, указанному на ярлыке и в инструкции. Не используйте другие источники питания.
- Перед подключением инструмента к сети убедитесь, что розетка соответствует данным,

указанным на ярлыке.

• Не прикасайтесь телом к заземленным поверхностям (трубами, радиаторами, батареями и рефрижераторами). При заземлении через тело риск удара электрическим током повышается.



ОСТОРОЖНО! Во избежание ожога или поражения электрическим током не прикасайтесь к электропроводящим деталям.

- Не тяните за шнур питания при перемещении инструмента.
- Пользуйтесь шнуром питания с осторожностью. Берегите шнур питания от воздействия тепла, избегайте его контакта со смазочными материалами, а также острыми предметами или движущимися частями.
- Будьте осторожны со шнуром питания.
- Не пользуйтесь электроинструментами вблизи легковоспламеняющихся жидкостей и горючих газов.
- Перед тем, как переносить инструмент на другое место, отключайте его от сети.



ОСТОРОЖНО! Инструмент необходимо сначала выключить, а затем отсоединять от розетки или удлинителя.

- Не пережимайте и не запутывайте шнур питания или удлинитель во время работы инструмента. Не теряйте кабель из виду.
- Не подключайте силовой кабель напрямую к инструменту самостоятельно. Обратитесь в ближайший официальный центр обслуживания.
- При повреждении шнура питания его обязательно должен заменить изготовитель или его агент, или другой квалифицированный специалист.
- Немедленно извлеките вилку из розетки, если шнур питания поврежден или разрезан.



ВНИМАНИЕ! ПОРАЖЕНИЯ ЭЛЕКТРИЧЕСКИМ ТОКОМ! ОПАСНОСТЬ

Обратите внимание на ваше рабочее место. Не используйте электроинструменты под дождем. Не используйте электроинструменты во влажных и сырых помещениях. Содержите рабочий участок в сухости, обеспечьте хорошее освещение. Берегите инструмент от влаги. Не оставляйте инструмент на открытом воздухе на

ночь. При попадании воды в электроинструмент повышается риск удара электрическим током.

- Регулярно и каждый раз перед использованием проверяйте шнур питания на наличие повреждений и признаков износа. Не используйте инструмент с поврежденным шнуром питания; обратитесь в официальный центр обслуживания.
- При работе на улице используйте только предназначенные для этого удлинители с соответствующей маркировкой. Избегайте попадания удлинителя под инструмент, берегите его от влаги, от воздействия тепла, избегайте контакта со смазочными материалами и легковоспламеняющимися веществами.
- Избегайте случайного запуска инструмента: перед подключением инструмента к сети убедитесь, что выключатель (при наличии) переведен в положение 'off' (выкл.).
- Перед включением инструмента удалите установочные клинья и ключи.
- Не используйте инструмент с неисправным выключателем. Инструмент с неисправным выключателем представляет опасность и требует ремонта.



ВНИМАНИЕ! Иногда во время работы с электроинструментами образуется пыль, содержащая вызывающие рак вещества.

К таким химическим веществам относятся: свинец в составе свинцовых белил, кварц, входящий в состав кирпича и цемента, мышьяк и хром, содержащиеся в пиломатериале, обработанном химическими реагентами, и прочие вредные вещества. Риск воздействия данных химических веществ зависит от частоты проведения связанных с ними работ.

Чтобы сократить их вредное воздействие, работайте в хорошо проветриваемом помещении и используйте соответствующие исправные СИЗ, например, противопылевые респираторы, специально разработанные для отфильтровывания микроскопических частиц.

- При попадании под инструмент постороннего предмета осмотрите его на наличие повреждений и произведите необходимый ремонт.
- При возникновении чрезмерной вибрации отключите инструмент и немедленно выясните причину. Вибрация обычно является признаком повреждения.
- Перед тем, как покинуть рабочее место, произвести ремонт, осмотр или очистку инструмента, отключите его и дождитесь полной остановки движущихся деталей.



- Запрещается снимать или изменять внутренние детали инструмента.

Особые правила по технике безопасности

- Перед использованием молотка всегда надевать защитный шлем (предохранительный шлем), предохранительные очки или средство для защиты глаз (обычные очки или солнцезащитные очки НЕ ЯВЛЯЮТСЯ средствами индивидуальной защиты). Они смогут отразить осколки материала, которые могут полететь в лицо и глаза.
- Некоторые материалы содержат химические вещества, которые могут быть токсичными и вызвать проблемы с дыханием из-за пыли или газа, образующихся при дроблении материала. Следует проявлять осторожность и предотвращать вдыхание пыли и попадание ее на кожу. Надевать пылезастыжную маску и толстые защитные рукавицы.
- Использовать толстые амортизирующие перчатки и ограничивать время вредного воздействия молотка частыми перерывами в работе. Вибрация, вызываемая при работе отбойного молотка, может повредить ваши руки.
- Носить противושумные наушники при работе с молотком. Длительное воздействие шума высокой интенсивности может вызвать потерю слуха.
- При работе с молотком на высоте проверить отсутствие людей на нижележащей территории. Убедиться в отсутствии людей в опасной близости от зоны работы.
- При работе не наводить молоток в сторону людей, находящихся в зоне работы. Долото может вылететь из молотка и серьезно ранить человека.
- Перед работой убедиться в надежном закреплении долота в молотке.
- Молоток рассчитан на вибрацию при нормальных условиях работы. Винты при вибрации могут ослабеть и вызвать поломку молотка или несчастный случай. Перед работой тщательно проверить плотность затяжки винтов.
- Перед началом работы в холодную погоду или после долгого перерыва необходимо какое-то время разогреть молоток, включив его вхолостую. При этом разжижается смазка молотка. Без достаточного нагрева молоток будет плохо работать.
- Крепко держать молоток обеими руками.
- Использовать вспомогательную рукоятку, поставляемую в комплекте молотка. Для наилучшего управления молотком всегда держать его за обе рукоятки. Никогда не пытаться работать молотком, удерживая его за одну рукоятку. При работе создается мощная ударная сила, и можно потерять управление молотком, если пытаться удержать его одной рукой. Потеря контроля над молотком может привести к травмам.

- Держать молоток за изолированные рукоятки, при проведении работ, при которых включенный молоток может ударить по скрытым силовым кабелям или по собственному силовому проводу. При контакте с кабелем под нагрузкой металлические части молотка могут также оказаться под напряжением и стать причиной поражения электротоком.
- Всегда проверять прочность опоры для ног.
- При работе располагаться таким образом, чтобы избежать зажатия между молотком и стенами или столбами. Если при работе долото окажется зажатым или защемленным, то отдача молотка может раздробить ругу или ногу рабочего.
- Не пробивать и не проламывать молотком существующие стены или иные элементы, недоступные для осмотра, в которых может быть электропроводка. Если все же такая работа необходима, отсоединить и отключить все предохранители или выключатели, через которые подается электропитание на участок проведения работы.
- Перед началом работы выявить при помощи металлоискателя наличие газовых или водопроводных труб, скрытых в месте проведения работы, или вызвать местную компанию, ответственную за инженерные коммуникации. Удар долотом или врезание в газовую линию приведет к взрыву. Попадание воды в электроинструмент может вызвать поражение электрическим током.
- Неиспользовать затупленные или поврежденные долота и приспособления. Затупленные или поврежденные долота могут с большей вероятностью быть зажатыми в объекте работы.
- Не приближать руки к движущимся частям молотка.
- Не выпускать из рук работающий молоток. Выполнять работу, только удерживая молоток руками.
- Никогда не класть молоток на пол до полной остановки мотора.
- Не притрагиваться сразу после работы к долоту или к деталям, находящимся рядом с ним; они могут быть чрезвычайно горячими и могут обжечь кожу.
- При извлечении долота из молотка избежать контакта с кожей, а для захвата долота или приспособления использовать подходящие защитные рукавицы. После длительной работы приспособления могут сильно нагреться.

ВСКРЫТИЕ УПАКОВКИ

При вскрытии упаковки проверьте наличие всех комплектующих деталей. См. чертежи к данному руководству. При отсутствии или неисправности каких-либо деталей обратитесь в центр обслуживания ИТ.

НАЧАЛО ЭКСПЛУАТАЦИИ

Значение напряжения питания должно соответствовать указанному в табличке паспортных данных инструмента.

ВСПОМОГАТЕЛЬНАЯ РУКОЯТКА (3)



ВНИМАНИЕ! Всегда отсоединяйте вилку питания молотка перед его наладкой.

Крепление вспомогательной рукоятки (3)

В целях безопасности всегда используйте вспомогательную рукоятку (3) при работе с отбойным молотком. Вспомогательная рукоятка (3) позволяет добиться большей устойчивости при работе.

Вспомогательную рукоятку (3) можно установить в любое необходимое положение:

1. Расслабить винт вспомогательной рукоятки (4) [F1].
2. Повернуть вспомогательную рукоятку (3) в наиболее удобное положение для работы.
3. Вновь затянуть винт (4).

ЗАМЕНА ДОЛОТА

Установка долота [F2]

1. Перед установкой протрите долото и нанесите тонкий слой густой смазки на стержень инструмента.
2. Оттяните как можно дальше стопорный болт (5), поверните его на 180° и отпустите.
3. Вставьте долото в патрон (6) и протолкните его внутрь как можно дальше.
4. Вновь оттяните стопорный болт (5), поверните его на 180° в противоположную сторону и отпустите.
5. Проверьте надежность замка, пробуя вытянуть долото.

Извлечение долота

Для извлечения долота проделайте вышеуказанные операции в обратном порядке.

ВКЛЮЧЕНИЕ / ВЫКЛЮЧЕНИЕ [F3]

Перед включением молотка выявить при помощи cableискателя/металлоискателя наличие силовых кабелей, а также газовых или водопроводных труб, скрытых в месте разрушения объекта.



ВНИМАНИЕ! Чтобы избежать опасности, молоток необходимо удерживать только за основную (1) и за вспомогательную (3) рукоятки. В противном случае, при ударе долотом в силовой кабель можно получить поражение электротоком.

Включение

Нажать и зафиксировать в нажатом положении переключатель ВКЛ./ВЫКЛ. (2)

Выключение

Вывести переключатель ВКЛ./ВЫКЛ (2) из нажатого положения.

ПОЛЕЗНАЯ ИНФОРМАЦИЯ



ВНИМАНИЕ! Для работы долотом требуется лишь незначительное давление на поверхность объекта. Избыточное контактное нажатие долота приведет к ненужной перегрузке мотора.

Заточка долота

Хороших результатов работы можно достичь, если только долото заточено. Поэтому необходимо своевременно затачивать долото для его эффективной и долгосрочной работы. Регулярно осматривать долото. Заточивать или менять затупленный инструмент.

ОБСЛУЖИВАНИЕ И ХРАНЕНИЕ



ОСТОРОЖНО! Прежде чем начать работу с инструментом, выключите его из розетки.

- Содержите инструмент и вентиляционные отверстия (при наличии) в чистоте. Регулярная очистка и обслуживание гарантируют высокую эффективность и продолжительную эксплуатацию инструмента.
- В случае выхода из строя, несмотря на соблюдение всех правил эксплуатации и опробования инструмента, ремонт должен выполняться в официальном сервисном центре IVT.
- Все гайки, болты и винты должны быть плотно затянуты.
- Замените поврежденные или изношенные детали.



- Используйте только оригинальные запчасти. Детали, изготовленные сторонним производителем, прилегают неплотно и повышают риск возникновения травм.
- Храните инструмент в сухом недоступном для детей месте, на безопасном расстоянии от легковоспламеняющихся материалов.
- Избегайте попадания воды на инструмент!

Проверка уровня масла

Проверить уровень масла перед использованием молотка:

- Поставить молоток на пол патроном (6) вниз. Уровень масла должен быть, по меньшей мере, на 3 мм выше нижнего края смотрового окна (7).

Замена смазочного масла [F4]

Масло следует заменять примерно через каждые 40-50 часов работы.

1. Выключить молоток и отсоединить вилку соединителя от розетки.
2. Выкрутить винт с шестигранной головкой и смотровым окном (7) с помощью накидного гаечного ключа (8) и слить масло. Во избежание неконтролируемого разлива масла надо удерживать под сливным отверстием небольшой металлический желоб и собрать все масло, вытекающее из отверстия, в емкость.

Внимание! Отработанное масло должно утилизироваться в соответствующем пункте сбора отработанных масел.

3. Залить свежее масло через сливное отверстие (7) до необходимого уровня.
4. Вновь вкрутить и затянуть винт с шестигранной головкой и смотровым окном (7).
5. После некоторого времени работы повторно проверить уровень масла в устройстве.

ЗАЩИТА ОКРУЖАЮЩЕЙ СРЕДЫ



Отправляйте мусор и отходы на переработку!

Инструмент, дополнительные приспособления и упаковку следует отправить на экологически безопасную переработку.

Пластиковые элементы имеют отметку о возможности классифицированной переработки. Настоящая инструкция напечатана на вторичной бумаге, не содержащей хлор.

RU



ВНИМАНИЕ! ПРОИЗВОДИТЬ РЕМОНТ ИЗДЕЛИЯ САМОСТОЯТЕЛЬНО И ПЫТАТЬСЯ СКРЫТЬ ЕГО СЛЕДЫ СОВЕРШЕННО НЕДОПУСТИМО! Только авторизованный IVT Сервис-Центр имеет право на проведение ремонта и расширенного технического обслуживания. Внесение изменений во внутреннее устройство изделия запрещено! ТАКИЕ ДЕЙСТВИЯ НЕ ТОЛЬКО ЯВЛЯЮТСЯ ОСНОВАНИЕМ В ОТКАЗЕ ОТ ГАРАНТИЙНЫХ ОБЯЗАТЕЛЬСТВ, НО И МОГУТ ПОСЛУЖИТЬ ПРИЧИНОЙ ПОВРЕЖДЕНИЙ И СЕРЬЕЗНЫХ УВЕЧИЙ.

ҚҰРАЛДЫҢ СИПАТТАМАСЫ

Үлгі	DBRK-1500
Кернеу ~ Жиілік [В ~ Гц]	230 ~ 50
Номиналды қуат [Вт]	1500
Соққының номиналды жиілігі [минутына соққы]	1900
Соққы қуаты [Дж]	45
Тербеліс деңгейі [м/сек. ²]	18.575 (K=1.5)
Дыбыстық қысым деңгейі [децибелде А]	92.87 (K=3)
Дыбыстық қуат деңгейі [децибелде А]	105.00 (K=3)
Салмақ [Kg]	14
Қауіпсіздік класы	II

ҚОСАЛҚЫ БӨЛШЕКТЕРДІҢ ТІЗБЕСІ

1. Сап
2. Ауыстырып-қосқыш ҚОСУ – СӨНДІРУ
3. Қосалқы сап
4. Қосалқы саптың бұрандасы
5. Тоқтатқыш болт
6. Патрон
7. Май деңгейінің саңылауы / құйылатын тесік
8. Алты қырлы гайка кілті

ҚОРАПТЫҢ ІШИНДЕГІСІ

Нұсқаулық (1 дана), Пирамида тәрізді қашау (1 дана), тегіс қашау (1 дана), қосымша сап (1 дана), алты қырлы жаппа кілті (1 дана), бұрышты щеткалар (1 жиынтық).

ҚОЛДАНЫЛУЫ

Кен балғасының бұл үлгісі ауыр жұмыс тәртібінде таңдалған қашаумен объектілерді бұзуға және кесуге арнап бағытталған.

ҚОЛДАНУ КЕЗІНДЕГІ ТЕХНИКАЛЫҚ ҚАУІПСІЗДІК

Қауіпсіздіктің жалпы ережелері

Қауіпсіздік техникасы бойынша келесі нұсқаулықтар құралды дұрыс қолдануға және дербес қауіпсіздікті қамтамасыз етуге көмектеседі. Сондықтан оларды мұқият оқып шығыңыз.

Аталмыш құралды үшінші тұлғаға беру барысында қауіпсіздік техникасы жөніндегі осы нұсқаулықты да бірге беру керек.

Осы нұсқаулықты және жеткізілетін кешен құрамына кіретін басқа да әдебиеттерді сақтап қойыңыз.

Қауіпсіздік техникасын және құралда көрсетілген

қауіпсіздік ережелерін сақтаңыз.

Жұмысты бастамас бұрын құралдың басқару бөлшектерімен танысыңыз, бірақ ең алдымен жедел тоқтату амалдарымен танысыңыз.

Аталған қарапайым ережелерді сақтау сіздің құралыңыздың үнемі жұмысқа жарамдылығын қамтамасыз етуге мүмкіндік береді.

- Пайдалану алдында құралды дұрыс жинақтау қажет.

- Құралды тек мақсаты бойынша ғана пайдаланыңыз.

- Сонымен қатар, құралда қорғаныш жабдықтарды пайдалану жөніндегі ескерту жазбалары мен сілтемелері болуы мүмкін, оларды да оқып шығу қажет. Сақтық, тәжірибелілік, ойластырылғандық, жұмысқа тиісті қатынас және құралды қолдану, тасымалдау, қызмет көрсету және сақтауға қатынастың тұлғалардың тиісті дайындығы келеңсіз оқиғалардың алдын алуға көмектеседі.

- Құралды қараусыз қалдырмаңыз.

- Құралды балалардың пайдалануына жол бермеңіз. Балалардың құралмен ойнауына жол бермеңіз.

- Жұмыс алаңына жақын жерде балалардың және жануарлардың болуына жол бермеңіз. Бөгде адамдар жұмыс істеп тұрған құралдан қауіпсіз қашықтықта болуы керек.

- Құралмен жұмыс жасау барысында пайдаланушы үшінші тұлғалар үшін жауапкершілік тартпайды.

- Қолдану жөніндегі осы нұсқаулықпен таныспаған тұлғалар, құралды пайдалануға болатын жасқа жетпеген, көмелеттік жасқа толмаған балалар, сондай-ақ ішімдікке немесе есірткіге мас күйдегі тұлғалар, медициналық дәрімек әсеріндегі адамдар құралмен жұмыс жасауға рұқсат ала алмайды. Оператордың жасы жергілікті нормативтік актілермен тағайындалады.



АБАЙЛАҢЫЗ! Алкоголь, кейбір дәрілік препараттар және есірткілік заттар, сондай-ақ ыстық көтерілу және қалжырау сияқты денсаулық күйлері реакция жылдамдығын төмендетеді. Аталмыш құралды жоғарыда аталған жағдайларда пайдаланбаңыз.

- Барлық қорғаушы жабдықтардың (егер болса) дұрыс орнатылғандығына және олардың жұмысқа жарамды екендігіне көз жеткізіңіз.
- Құралды қорғаушы жабдықтарсыз пайдаланбаңыз (егер болса), немесе ол зақымданған болса пайдаланбаған абзал.
- Құралдың бекітілмей қалған бөлшектерін (сақиналар, болттар, бұрамалар және т. б.) немесе ақауларын тексеріңіз. Құрал жұмысының қауіпсіздігін қамтамасыз ету үшін болттар мен бұрандалардың (егер болса) жақсы бұралғандығын әлсін-әлсін тексеріп отырыңыз. Қажет болса құралды пайдалану алдында зақымданған не ақаулы бөлшектерді жөндеңіз немесе алмастырыңыз. Ақаулы құралды пайдалану кезінде операторға немесе маңайдағы бөгде тұлғаларға ауыр жарақаттар салынуы мүмкін.
- Жұмыс үшін арнайы киімді пайдаланыңыз. Кең киім, әшекейлер, әшекей бұйымдары құралдың қозғалмалы бөліктеріне ілініп қалуы мүмкін. Сәйкес келетін арнайы киімдер киіңіз. Ұшатын қалдық заттардан аяғыңыз бен табаныңызды қорғаңыз. Жалаң аяқ немесе үсті ашық аяқ киім киіп жұмыс істемеңіз. Ұзын шашты артыңызға жинаңыз.
- Тұтқалар мен тұтқыштарды таза және құрғақ етіп ұстаңыз.
- Сәйкес келетін қорғаушы жабдықтарды пайдаланыңыз. Қорғаушы кезәйнектер мен саусақпаптарды қолданыңыз. Ұнтақтармен немесе шығарылатын газ ортасында жұмыс жасау барысында шаңға қарсы респираторды пайдаланыңыз. Қажет болған жағдайда табаны сырғанамайтын аяқ киім, дулыға немесе құлаққа арналған тығындарды қолданыңыз. Егер шу деңгейі 85 дБ(А) артық болса, міндетті түрде қорғаушы құлақпаптарды пайдаланыңыз.



АБАЙЛАҢЫЗ! Жеке бас қорғаныс құралдарын пайдаланыңыз! Қорғаушы жабдықтар мен ЖҚҚ сіздің денсаулығыңыз бен маңайыңыздағылардың денсаулығының қорғанысын қамтамасыз етеді, сондай-ақ құралдың үзіліссіз жұмысына кепілдік береді.

- Құрал кері бұрылған болса немесе жұмысқа жарамсыз күйде болса, оны іске қоспаңыз.
- Жұмыс барысында тұрақты қалыпты сақтаңыз. Үнемі тепе-теңдікті сақтаңыз.
- Жұмыс алаңында тазалықты сақтаңыз. Қоршалған алаңдарда қарақаттану қаупінің жоғары деңгейі байқалады. Құралды пайдаланбас бұрын жұмыс алаңынан барлық бөгде заттарды алып тастаңыз, жұмыс барысында құралдың астына бөгде заттардың түсуіне жол бермеңіз.
- Құралды шамадан тыс қыздырмаңыз.
- Құралды күндізгі жарықта немесе жақсы жасанды желдету кезінде пайдаланыңыз. Құралды нашар көріну жағдайында пайдаланбаңыз.
- Құралды құлатпаңыз, құралдың қандай да бір кедергілермен қақтығысуына жол бермеңіз.

АБАЙ БОЛЫҢЫЗ! Абай болыңыз. Жұмыс барысын бақылап отырыңыз. Алаңдай отырып, құралды басқаруды жоғалтып алу мүмкін. Жұмысқа дайындықпен кірісіңіз.

Электрлік қауіпсіздік ережелері

НАЗАР АУДАРЫҢЫЗ! Электр құралдарын қолдану барысында электр тоғының соққысын болдырмау және жеке бастың жарақаттану оқиғасына жол бермеу мақсатында техникалық қауіпсіздік бойынша мынадай ережелерді сақтау керек. Құралды қолданар алдында осы нұсқаулықтарды оқып шығыңыз және мұқият қадағалаңыз.

- Қауіптілік деңгейін жоғарылату үшін 30 мА-дан аспайтын сөну тоғына есептелген шегермелі қорғаныс құрылғысын (RCD) пайдалану ұсынылады. Әрбір пайдаланған кезде RCD тексеріңіз. Білікті электршіге жүгініңіз.



НАЗАР АУДАРЫҢЫЗ! RCD немесе басқа ажыратқышты пайдалану құралдың операторын осы нұсқаулықта көрсетілген жұмыс амалдары ережелері мен қауіпсіздік техникасы талаптарымен танысу міндетінен босатпайды.

- Желідегі кернеу жазба белгіде немесе нұсқаулықта көрсетілген шамаға сәйкес болуы керек. Басқа қоректендіру көздерін пайдаланбаңыз.
- Құралды желіге қосу алдында розетканың құралдың жазба белгісінде көрсетілген мәліметтеріне сай келетіндігіне көз жеткізіңіз.
- Дененің жайсыздандырылған заттармен

(құбырлар, радиаторлар, батареялар және рефрижераторлар) жанасуынан сақтаныңыз. Дененің мұндай заттарға жанасуы кезінде электрлік тоқ соққысына шалдығу қаупі артады.



АБАЙ БОЛЫҢЫЗ! Күюден немесе тоқ соққысынан сақтану үшін электр өткізгіш бөлшектерге жанаспаңыз.

- Құралдың орнын алмастыру барысында кабельден тартпаңыз.
- Тоқсымды абайлап қолданыңыз. Тоқсымды жылудың әсерінен сақтаңыз, оның майлаушы заттармен байланысына жол бермеңіз, сондай-ақ өткір немесе жылжымалы заттармен жанастырмауға тырысыңыз.
- Тоқсыммен абай болыңыз.
- Құралды тез тұтанатын сұйықтықтарға және газдарға жақын жерде пайдаланбаңыз.
- Құралды басқа жерге ауыстырмас бұрын оны желіден ажыратыңыз.



АБАЙ БОЛЫҢЫЗ! Алдымен құралды сөндіру керек, содан соң розеткадан немесе ұзартқыштан ажыратқан абзал.

- Құрал жұмыс істеп тұрғанда ұзартқышты қыспаңыз. Кабельді бақылап отырыңыз.
- Ұзартқышты құралға өз бетіңізбен тікелей қоспаңыз. Ең жақын жердегі ресми қызмет көрсету орталығына жүгініңіз.
- Тоқсым зақымдалған жағдайда қауіптілік тудырмау үшін оны дайындаушы немесе оның агенті, не болмаса ұқсас білікті мамандар алмастыру керек.
- Егер кабель зақымдалған немесе кесіліп кеткен болса, онда айырды тез арада ашадан алып шығыңыз.



НАЗАР АУДАРЫҢЫЗ! ЭЛЕКТРЛІК ТОҚ СОҚҚЫСЫНА ШАЛДЫҒУ ҚАУПІ БАР!

Өндірістік ортаны бақылап отырыңыз. Электрлік құралдарды жауын астында пайдаланбаңыз. Электрлік құралдарды ылғалды және дымқыл жайларда пайдаланбаңыз. Жұмыс орнын құрғақ ұстаңыз, жарықтандырудың жақсы болуын қамтамасыз етіңіз. Құралды ылғалдан сақтаңыз. Құралды ашық кеңістікте түнде қалдырмаңыз. Құралға суды тиіп кетсе, электрлік тоқ соққысына шалдығу қаупі артады.

• Үнемі және әр қолданыс алдында құрал кабелінің жарамдылығы мен тозу белгісінің болуын тексеріп отырыңыз. Кабелі зақымданған құралды пайдаланбаңыз; ресми қызмет көрсету орталығына жүгініңіз.

• Ғимараттардан тыс жұмыс барысында сәйкес маркалы арнайы ұзартқыштарды ғана пайдаланыңыз. Кабельдің құралдың астына түсуіне жол бермеңіз, оны ылғалдан, жылудың әсерінен сақтаңыз, жақпамайлық заттармен және тез тұтанатын сұйықтықтармен байланысуына жол бермеңіз.

• Құралдың өздігінен қосылуынан сақтаныңыз. Құралды желіге қосар алдында ажыратқыштың «off» (сөнд.) қалпында екендігіне көз жеткізіңіз.

• Құралды іске қосу алдында ондағы барлық кілттер мен орнату бөлшектерін алып тастаңыз.

• Жарамсыз ажыратқышы бар құралды пайдаланбаңыз. Ажыратқышы жарамсыз құрал қауіпті және жөндеуді талап етеді.



НАЗАР АУДАРЫҢЫЗ! Аспапты пайдаланған кезде құрамында ісік ауруын тудыратын химиялық заттар бар шаң қалыптасады.

Осындай химиялық заттарға мыналар жатады: қорғасынды әктеуіштер құрамындағы қорғасын, кірпіш пен цементтің құрамына кіретін кварц, химиялық реагенттермен өңделген араланушы материалдар құрамындағы күшән және хром, басқа да зиянды заттар. Аталған химиялық заттардың әсер ету қаупі олармен жұмыс жасау жиілігіне байланысты.

Олардың зиянды әсерін төмендету үшін жақсы желдетілетін жерде жұмыс істеңіз және қолдану үшін бекітілген ЖҚҚ, мысалы, микроскопиялық бөлшектерді сүзуге арналған шаңға қарсы респираторларды пайдаланыңыз.

• Құралдың астына бөгде заттар түскен жағдайда құралдың ақаусыз екендігін тексеріңіз және қажетті жөндеу жұмыстарын жүзеге асырыңыз.

• Шамадан тыс діріл пайда болса жедел арада қозғалтқышты сөндіріңіз және себебін анықтаңыз. Діріл ақаудың белгісі болып табылады.

• Жұмыс орнынан кетпес бұрын, құралды жөндеу, тексеру немесе тазарту алдында оны сөндіріңіз және толығымен тоқтағанша күте тұрыңыз.

• Құралдың ішкі бөлшектерін алып тастауға немесе өзгертуге тыйым салынады.

Қауіпсіздік техникасы бойынша ерекше ережелер

• Балғаны қолданар алдында қашанда қорғайтын дулыға (сақтайтын дулыға), сақтайтын көзілдірік немесе көзді қорғайтын дауа (көдімгі көзілдірік



немесе күннен қорғайтын көзілдірік жеке басыңызды қорғайтын дауа БОЛЫП ТАБЫЛМАЙДЫ) киіңіз. Олар материалдың бетке және көзге ұшуы мүмкін жарықшақтарын қайтара алады.

- Кейбір материалдардың құрамында улы химиялық заттар бар, олар материалды бөлшектеген кезде туатын шаң мен газдың кесірінен тыныс алу кезінде қиындықтар туғызуы мүмкін. Сақтық танытып, шаңды ішке жұтудың және оның теріге түсуінің алдын алған жөн. Шаңнан қорғайтын маска, қорғайтын қалың қолғап киіңіз.

- Қалың амортизациялайтын қолғаптар киіп, жұмыс кезінде жиі үзіліс жасау арқылы балғаның зиян әсерінің уақытын шектеңіз. Кен балғасымен жұмыс жасағанда туатын діріл сіздің қолыңызды зақымдауы мүмкін.

- Балғамен жұмыс жасағанда шуға қарсы құлаққап киіңіз. Қарқындылығы жоғары шудың ұзақ әсері есіту қабілетін жоюы мүмкін.

- Балғамен биіктікте жұмыс істеген кезде, төмендегі территорияда адамдардың бар-жоғын тексеріңіз. Жұмыс аймағындағы қауіпті жерде адамдардың жоғына көз жеткізіңіз.

- Жұмыс кезінде жұмыс аймағында жүрген адамдар жаққа балғаны дәлдемеңіз. Қашау балғадан шығып кетіп, адамды қатты жарақаттауы мүмкін.

- Жұмысты бастамай тұрып қашаудың балғаға жақсы бекітілгеніне көз жеткізіңіз.

- Балға қалыпты жұмыс жағдайында дірілдейді. Діріл кезінде бұрандалар босап кетіп, балғаның сынуына немесе жазатайым оқиғаға соқтыруы мүмкін. Жұмысты бастамай тұрып бұрандалардың тартылу тығыздығын тексеріңіз.

- Салқын ауа-райында немесе ұзақ үзілістен кейін балғаны бос жүріске қосып, біраз қыздырып алу қажет. Осы кезде балғаның майы сұйылады. Қажетінше қызбаса, балға жаман жұмыс істейтін болады.

- Балғаны екі қолыңызбен жақсылап ұстаңыз.

- Балғаның жиынтығында бірге берілетін қосалқы сапты қолданыңыз. Балғаны жақсы басқару үшін оны қашанда екі сабынан ұстау қажет. Балғаны бір қолда ұстап тұрып ешқашан жұмыс істеуге тырыспаңыз. Жұмыс кезінде мықты соққы күші туады, сондықтан бір қолмен ұстауға тырысқанда, балғаны басқара алмайсыз. Балғаны басқарудағы бақылауды жоғалту зақымдануға соқтырады.

- Балғаны жекеленген саптарынан ұстаңыз, жұмыс кезінде қосұлы балға жасырулы қуат шоғырсымдары арқылы немесе өзінің қуат сымдары арқылы соққы беруі мүмкін. Жүктеме астында шоғырсыммен байланыс кезінде балғаның металл бөлшектері де кернеу астында қалып, электр тогымен ұру себебіне айналуы мүмкін.

- Қашанда аяққа арналған тіректің беріктігін тексеріңіз.

- Жұмыс кезінде балға мен қабырғаның немесе

бағаналардың арасында қыстырылып қалмайтындай болып орналасыңыз. Егер жұмыс кезінде қашау қысылып немесе қыстырылып қалса, балғаның кері соққысы жұмысшының қолын немесе аяғын бөлшектеп тастауы мүмкін.

- Электр сымы болуы мүмкін тексеруге келмейтін қабырғаларды немесе өзге жерлерді балғамен теспеніз және сындырмаңыз. Дегенмен, мұндай жұмысты жасау қажет болған жағдайда, жұмыс жүргізілетін аймаққа электр қуат көзі жіберілетін барлық тежегіштерді және сөндіргіштерлі ажыратыңыз және суырып тастаңыз.

- Жұмыстың алдында металл іздегіштің көмегімен жұмыс жүргізетін жерде газ немесе су құбырларының бар-жоғын тексеріңіз, немесе инженерлік коммуникацияға жауап беретін жергілікті компанияны шақырыңыз. Қашаудың соққысы немесе газ желісін ойып кесу жарылысқа соқтырады. Электр құралына судың кіруі электр тогымен ұруды тудырауы мүмкін.

- Мұқалған немесе зақымданған қашауды және жабдықтарды қолданбаңыз. Мұқалған немесе зақымданған қашаудың жұмыс объектісінде қысылып қалу мүмкіндігі жоғары.

- Қолыңызды балғаның қозғалып тұрған бөлшектеріне жақындатпаңыз.

- Жұмыс істеп тұрған балғаны қолыңыздан шығармаңыз. Балғаны қолдарыңызбен ұстап тұрып қана жұмыс жүргізіңіз.

- Мотор толық тоқтағанша, балғаны ешқашан еденге қоймаңыз.

- Жұмыс аяқтала салысымен қашауды немесе оның жанында тұрған бөлшектерді ұстамаңыз; олар өте ыстық болуы мүмкін және теріні күйдіреді.

- Қашауды балғадан шығарған кезде теріге тимеуін қадағалаңыз, ал қашауды немесе басқа құрылғыларды ұстау үшін сай келетін қорғайтын қолғаптар киіңіз. Ұзақ жұмыс істеген соң құрылғылар қатты қызуы мүмкін.

ҚОРАПСЫЗДАНДЫРУ

Қаптан алу кезінде барлық бөлшектердің түгел екендігіне көз жеткізіңіз. Соңғы беттегі жинақтау сызбасын қараңыз. Қандай да болмасын бөлшектер бомаған жағдайда немесе ақаулы болған жағдайда IVT қызмет көрсету орталығына жүгініңіз.

ҚОЛДАНУДЫ БАСТАУ

Қоректендіргіш кернеуінің мәні құралдың құжаттық мәліметтерінде көрсетілген төлқұжаттық деректерге сай болу керек.

ҚОСАЛҚЫ САП (3)



НАЗАР АУДАРЫҢЫЗ! Жөндемей тұрып қашанда балғаның қуат көзінің айырын ажыратыңыз.

Қосалқы саптың бекіткіші (3)

Кен балғасымен жұмыс істегенде қауіпсіздік мақсатында қашанда қосалқы сапты (3) қолданыңыз. Қосалқы сап (3) жұмыс кезінде көбірек тұрақтылыққа қол жеткізуге мүмкіндік береді.

Қосалқы сапты (3) кез келген қажетті жағдайда орнатуға болады:

1. Қосалқы саптың бұрандасын босатыңыз (4) [F1].
2. Қосалқы сапты (3) жұмыс үшін барынша ыңғайлы жағдайға бұрыңыз.
3. Бұранданы қайта тартыңыз (4).

ҚАШАУДЫ АУЫСТЫРУ

Қашауды орнату [F2]

1. Орнату алдында қашауды сүртіп, құралдың білігіне қою майды жұқа қабат етіп жағыңыз.
2. Тоқтатқыш болтты (5) барынша ары тартып, оны 180° бұрып, қайта жіберіңіз.
3. Қашауды патронға салып (6), оны ішке барынша ары итеріп жіберіңіз.
4. Тоқтатқыш болтты тағы созып (5), оны 180° кері жаққа айналдырып, қайта жіберіңіз.
5. Қашауды тартып шығару арқылы құлыптың сенімділігін тексеріңіз.

Қашауды шығару

• Қашауды шығару үшін жоғарыда көрсетілген операцияларды керісінше орындаңыз.

ҚОСУ / СӨНДІРУ [F3]

Балғаны қоспай тұрып, шоғырсым/металл іздегіштің көмегімен бұзылатын объектінің орнында жасырынған қуат шоғырсымдарының, сонымен қатар газ немесе су құбырларының бар-жоғын тексеріңіз.



НАЗАР АУДАРЫҢЫЗ! Қауіптің алдын алу үшін балғаны тек негізгі (1) және қосалқы (3) саптамасынан ұстау қажет. Кері жағдайда қуат шоғырсымына балғамен соққан жағдайда, электр тоғы ұруы мүмкін.

Қосу

ҚОСУ/СӨНДІРУ ауыстырып-қосқышын басып, оны басылған күйде бекітіп қойыңыз. (2)

Сөндіру

ҚОСУ/СӨНДІРУ ауыстырып-қосқышын (2) басылған күйден шығарыңыз.

ПАЙДАЛЫ АҚПАРАТ



НАЗАР АУДАРЫҢЫЗ! Қашаумен жұмыс жасау үшін объектінің үстіне шамалы басу қажет. Қашаумен артық басу мотордың қажетсіз шамадан тыс жұмыс істеуіне соқтырады.

Қашауды қайрау

Егер қашау қайралған болса ғана жұмыста жақсы нәтижеге қол жеткізуге болады. Сондықтан, қашау ұзақ әрі тиімді жұмыс істеу үшін оны уақытында қайрап тұру қажет.

Қашауды жиі тексеріп тұрыңыз. Мұқалған құралды қайраңыз немесе ауыстырыңыз.

ҚЫЗМЕТ КӨРСЕТУ ЖӘНЕ САҚТАУ



АБАЙ БОЛЫҢЫЗ! Құралмен жұмысты бастау алдында желілік ашаны алып тасатыңыз.

- Құралды және желдеткіш саңылауларын (егер болса) тазалықта ұстаңыз. Үнемі тазарту және қызмет көрсету құралдың жоғары тиімділігін және ұзақ уақыт қолданылуын кепілдейді.
- Өндіріс пен сынаудың мінсіз шарттарына қарамастан, істен шыққан жағдайда, жөндеу жұмыстары ІVT ресми орталықтарында жүргізілуі керек.
- Барлық сақиналар, болттар және бұрамалар мұқият бұралуы керек.
- Ақауланған немесе тозған бөлшектерді алмастырыңыз.
- Тек түпнұсқалық қосалқы бөлшектерді ғана пайдаланыңыз. Басқа тараптық өндіруші дайындаған бөлшектер нақты сай болмайды және жарақаттану



қауіпін жоғарылатады.

- Құралды құрғақ әрі балалардың қолы жетпейтін жерде, тез тұтанатын материалдардан қауіпсіз қашықтықта сақтаңыз.
- Құралға су тигізбеңіз!

Майдың деңгейін тексеру

Балғаны қолданар алдында майдың деңгейін тексеріңіз:

- Балғаны патронын төмен қаратып (6) еденге қойыңыз. Майдың деңгейі, кемінде, көретін саңылауының төменгі ернеуінен 3 мм жоғары болуы тиіс (7).

Майлайтын майды ауыстыру [F4]

Майды шамамен жұмыстың әр 40-50 сағатында ауыстырып тұру қажет.

1. Балғаны сөндіріп, біріктіргіштің айырын розеткадан ажыратыңыз.
2. Жаппа гайка кілттің (8) көмегімен алты қырлы басы мен көретін саңылауы бар (7) бұранданы бұрап шығарып, майын ағызыңыз. Бақылаусыз төгіліп кетуді болдырмас үшін ағызатын тесіктің астына шағын металл науа қойып, тесіктен аққан барлық майды ыдысқа жинап алу қажет.

Назар аударыңыз! Пайдаланылған май арнайы пайдаланылған майды жинайтын пунктте пайдаға асырылуы тиіс.

3. Қажетті деңгейге дейін ағызатын тесігі арқылы (7) жаңа май құйыңыз.
4. Алты қырлы басы мен көретін саңылауы бар бұранданы (7) қайта бұрап кіргізіп, тартып қойыңыз.
5. Біраз жұмыс жасаған соң құралдағы майдың деңгейін қайта тексеріңіз.

ҚОРШАҒАН ОРТАНЫ ҚОРҒАУ



Қалдықты болдырмау мақсатында шикізатты қайта қолдану!

Құралды, қосымша жабдықтарды және қаптаманы экологиялық таза жолмен қайта өңдеуге жіберу керек.

Пластикалық бөлшектер классификациялық қайта өңдеуге жіберіледі.

Осы нұсқаулықтар хлор пайдаланбай дайындалған екінші өңделім қағазына басылған.

KZ

ҚР аумағында сапа бойынша наразылықтарды қабылдайтын ұйым: «Костанай DWT/ДВТ» ЖШС | Костанай қ. Целинная көш., 4 - Қазақстан Республикасы | тел (7142) 28 07 00, -01 | **Организация, принимающая претензии на территории РК: ТОО «Костанай DWT/ДВТ»** | г. Костанай, ул. Целинная, 4 - Республика Казахстан | тел (7142) 28 07 00, -01



НАЗАР АУДАРЫҢЫЗ! БҰЙЫМҒА ӨЗ БЕТІҢІЗБЕН ЖӨНДЕУ ЖҮРГІЗІП, ОНЫҢ ІЗДЕРІН ЖАСЫРУҒА ТЫРЫСУҒА МҮЛДЕМ БОЛМАЙДЫ! Тек қана авторлық құқығы бар қызмет көрсету орталығының жөндеу жүргізуге және қамтылған техникалық қызмет көрсетуге құқығы бар. Бұйымның ішкі құрылымына өзгерістер енгізуге тыйым салынады! МҰНДАЙ ӘРЕКЕТТЕР КЕПІЛДІК МІНДЕТТЕМЕЛЕРДЕН БАС ТARTУҒА НЕГІЗ БОЛЫП ҚАНА ҚОЙМАЙ, СОНЫМЕН ҚАТАР ҚАУІПТІ ЖАРАҚАТ АЛУҒА ЖӘНЕ ЗИЯН КЕЛТІРУГЕ СЕБЕПШІ БОЛУЫ МҮМКІН.

DANE TECHNICZNE NARZĘDZIA

Model	DBRK-1500
Napięcie ~ Częstotliwość [V ~ Hz]	230 ~ 50
Moc znamionowa [W]	1500
Nominalna częstotliwość udaru [uderzeń/minutę]	1900
Moc udaru [J]	45
Poziom wibracji [m/s ²]	18.575 (K=1.5)
Poziom ciśnienia akustycznego [dBA]	92.87 (K=3)
Poziom mocy akustycznej [dBA]	105.00 (K=3)
Waga [kg]	14
Klasa bezpieczeństwa	II

CZĘŚCI

1. Rękojeść
2. Przełącznik Włączone / Wyłączone
3. Rękojeść pomocnicza
4. Śruba rękojeści pomocniczej
5. Śruba ograniczająca
6. Uchwyt
7. Wziernik poziomu oleju/otwór zlewowy
8. Klucz oczkowy sześciokątny

ZAWARTOŚĆ PUDŁA

Instrukcja użytkowania (1 szt.), punktak (1 szt.), dłuto płaskie (1 szt.), rękojeść dodatkowa (1 szt.), klucz oczkowy sześciokątny (1 szt.), szczotki węglowe (1 zestaw).

PROPONOWANE UŻYCIE

Ten model młota udarowego przeznaczony jest do prac wyburzeniowych i do wykonywania otworów przy pomocy odpowiednich dłut i punktaków.

ZASADY BEZPIECZEŃSTWA PODCZAS UŻYTKOWANIA

Ogólne zasady bezpieczeństwa

Następujące wskazówki odnośnie zasad bezpieczeństwa pomogą Państwu w prawidłowym użytkowaniu narzędzia i zapewnieniu sobie bezpieczeństwa. Dlatego proszę je wnikliwie i uważnie przeczytać.

W przypadku przekazania narzędzia do użytkowania osobie trzeciej, proszę przekazać również niniejsze wskazówki odnośnie zasad bezpieczeństwa.

Proszę zachować niniejszą instrukcję i inne ulotki, będące częścią dostawy. Proszę zaglądać do nich

w przypadku zaistnienia pytań.

Proszę ściśle przestrzegać zasad bezpieczeństwa i ostrzeżeń zamieszczonych na narzędziu.

Przed rozpoczęciem pracy proszę zapoznać się z częściami sterującymi narzędzia, a przede wszystkim zapoznać się ze sposobami jego zatrzymania w sytuacjach nagłych.

Przestrzegając tych prostych instrukcji, utrzymanie Państwo wasze narzędzie w stanie sprawności.

- Przed użyciem narzędzie należy prawidłowo zmontować.

- Narzędzia należy używać ściśle zgodnie z przeznaczeniem.

- Proszę z uwagą traktować napisy ostrzegawcze na narzędziu i wnikliwie się z nimi zapoznać. Uważność, rozsądne podejście do pracy i odpowiednie przygotowanie osób, uczestniczących w użytkowaniu, transporcie oraz obsłudze, pomogą zapobiegać niebezpiecznym wypadkom.

- Nie zostawiać narzędzia bez nadzoru.

- Nie dopuszczać do użytkowania narzędzia przez dzieci. Nie pozwalać dzieciom bawić się narzędziem.

- Nie dopuszczać do przebywania w pobliżu narzędzia dzieci i zwierząt. Osoby, które mają ochotę poobserwować pracę narzędzia, powinny znajdować się w bezpiecznej odległości od niego.

- Podczas pracy z narzędziem użytkownik ponosi odpowiedzialność za bezpieczeństwo osób trzecich.

- Osoby, nie zaznajomione z instrukcjami użytkowania, dzieci, osoby niepełnoletnie, które nie osiągnęły wieku, pozwalającego na użytkowanie narzędzia, a także osoby, znajdujące się w stanie upojenia alkoholowego lub będące pod wpływem narkotyków albo produktów leczniczych, nie mogą być dopuszczone do pracy z narzędziem. Wiek operatora określają miejscowe akty normatywne.



OSTROŻNIE! Alkohol, niektóre produkty lecznicze i substancje narkotyczne, a także niedyspozycja zdrowotna, upał i zmęczenie obniżają szybkość reakcji. Nie używać danego narzędzia w wymienionych powyżej przypadkach.

- Upewnić się, że wszystkie urządzenia ochronne (o ile takowe są) zostały zamontowane i są zadane do eksploatacji.
- Nie używać narzędzia bez urządzeń ochronnych (o ile takowe są) lub w przypadku ich uszkodzenia.
- Dokonać oględzin pod względem nie przymocowanych części (nakrętek, śrub, wkrętów itd.) lub uszkodzeń. W celu zapewnienia bezpiecznej pracy narzędzia należy okresowo sprawdzać, czy śruby i wkręty są dobrze dokręcone (o ile takowe są). W razie konieczności przed użyciem narzędzia należy dokonać ich naprawy lub wymiany. W przypadku użycia uszkodzonego narzędzia operator lub osoby postronne mogą zostać poważnie zranione.
- Używać do pracy odpowiedniej odzieży specjalnej. Obszerne ubrania, ozdoby mogą zostać wciągnięte przez ruchome części. Pracować tylko w nadającej się do tego specjalnej odzieży. Chronić nogi i stopy przed rozlatującymi się odpadami. Nie pracować boso lub w odkrytych sandałach. Zebrać długie włosy z tyłu głowy.
- Utrzymywać ręczki i rękojeści w czystości oraz suchości.
- Używać odpowiednich środków ochrony indywidualnej. Używać okularów ochronnych i rękawic. Podczas pracy z proszkami lub w przypadku wyrzutu spalin korzystać z respiratora przeciwpyłowego. W razie konieczności nałożyć nie śliskie obuwie, kask i zabezpieczyć organy słuchowe zatyczkami. Jeśli poziom hałasu przekracza 85 dB(A), obowiązkowo należy używać ochronnych nasuszników.



OSTROŻNIE! Korzystać ze środków ochrony indywidualnej! Urządzenia ochronne i środki ochrony indywidualnej zapewniają bezpieczeństwo Państwa zdrowia i zdrowia osób z otoczenia, a także gwarantują sprawną pracę narzędzia.

- Nie włączać narzędzia, jeśli jest ono przewrócone lub znajduje się w stanie spoczynku.
- Podczas pracy zająć stabilną pozycję. Stałe utrzymywać równowagę.
- Zachowywać czystość miejsca pracy. W miejscach zawałonych rzeczami obserwuje się wysoki poziom wypadkowości. Przed użyciem narzędzia sprzątnąć

z miejsca pracy wszystkie postronne przedmioty, a także unikać podczas pracy wpadnięcia pod narzędzie postronnych przedmiotów.

- Nie naciskać mocno na narzędzie podczas pracy.
- Używać narzędzia tylko przy dobrym dziennym świetle lub sztucznym oświetleniu. Nie używać narzędzia w warunkach złej widoczności.
- Nie upuszczać narzędzia, nie dopuszczać do zderzenia narzędzia z jakimikolwiek przeszkodami.

OSTROŻNIE! Bądźcie uważni. Nie odrywać wzroku od obrabianego przy pomocy narzędzia przedmiotu. Oderwanie uwagi może spowodować utratę kontroli. Podchodzić do pracy rozsądnie.

Zasady bezpieczeństwa elektrycznego

UWAGA! W celu zapobieżenia porażenia prądem elektrycznym, wyrządzeniu szkody zdrowiu lub poparzeniu podczas użytkowania narzędzi elektrycznych należy koniecznie przestrzegać niniejszej instrukcji bezpiecznego użytkowania. Przed użyciem narzędzia przeczytać daną instrukcję i ściśle jej przestrzegać.

- Dla zapewnienia odpowiedniego poziomu bezpieczeństwa zalecane jest używanie zabezpieczenia różnicowego, przewidzianego dla prądu wyłączeniowego nie większego niż 30 mA. Sprawdzać sprawność zabezpieczenia różnicowego przed każdym użyciem. Skonsultować się z wykwalifikowanym elektrykiem.



UWAGA! Korzystanie z zabezpieczenia różnicowego lub innego wyłącznika ochronnego nie zwalnia operatora od obowiązkowego zapoznania się z zasadami bezpieczeństwa i sposobami bezpiecznej pracy, wskazanymi w danej instrukcji.

- Napięcie sieci powinno odpowiadać wielkości, wskazanej na etykiecie oraz w instrukcji. Nie używać innych źródeł zasilania.
- Przed podłączeniem narzędzia do sieci upewnić się, że gniazdo odpowiada danym, wskazanym na etykiecie.
- Nie dotykać ciałem do uziemionych powierzchni (rur, promienników ciepła, baterii i chłodziarek). Przy uziemieniu przez ciało zwiększa się ryzyko porażenia prądem elektrycznym.



OSTROŻNIE! W celu zapobieżenia porażeniu lub porażeniu prądem elektrycznym nie dotykać części przewodzących prąd.

- Nie ciągnąć za kabel zasilający podczas przemieszczania narzędzia.
- Z ostrożnością używać kabla zasilającego. Chronić kabel zasilający przed działaniem ciepła, unikać jego kontaktu ze smarami, a także ostrymi przedmiotami lub ruchomymi częściami.
- Ostrożnie obchodzić się z kablem zasilającym.
- Nie używać narzędzia elektrycznego w pobliżu łatwo zapalnych cieczy i gazów palnych.
- Przed przeniesieniem narzędzia w inne miejsce należy odłączyć je od sieci.



OSTROŻNIE! Narzędzie należy najpierw wyłączyć, a potem odłączyć z gniazdka lub przedłużacza.

- Nie ścisnąć mocno i nie spletywać kabla zasilającego lub przedłużacza podczas pracy narzędzia. Nie tracić kabla z pola widzenia.
- Nie podłączać samodzielnie kabla zasilającego do narzędzia. Zwrócić się do najbliższego centrum obsługi.
- W przypadku uszkodzenia kabla zasilającego należy obowiązkowo wymienić go u przedstawiciela lub jego agenta albo dokonać wymiany u innego wykwalifikowanego specjalisty.
- Niezwłocznie odłączyć wtyczkę z gniazdka, jeśli kabel zasilający uległ uszkodzeniu lub rozcięciu.



UWAGA! NIEBEZPIECZEŃSTWO PORAŻENIA ELEKTRYCZNYM PRĄDEM

Zwracać uwagę na swoje miejsce pracy. Nie używać narzędzi elektrycznych w deszczu. Nie używać narzędzi elektrycznych w wilgotnych i ciemnych pomieszczeniach. Utrzymywać miejsce pracy w suchości, zapewniać dobre oświetlenie. Chronić narzędzie przed wilgocią. Nie zostawiać narzędzia na otwartym powietrzu na noc. W przypadku dostania się wody do narzędzia elektrycznego zwiększa się ryzyko porażenia prądem elektrycznym.

- Regularnie i za każdym razem przed użyciem sprawdzać kabel zasilający pod kątem uszkodzeń i oznak zużycia. Nie używać narzędzia z uszkodzonym

kablem zasilającym; zwrócić się do oficjalnego centrum obsługi.

- Podczas pracy na ulicy używać tylko przeznaczonych do tego przedłużaczy z odpowiednim oznakowaniem. Unikać dostawania się przedłużacza pod narzędzie, chronić go przed wilgocią, działaniem ciepła, unikać kontaktu ze smarami i substancjami łatwopalnymi.
- Unikać przypadkowego uruchomienia narzędzia: przed podłączeniem narzędzia do sieci upewnić się, że wyłącznik (o ile jest) znajduje się w pozycji „off” (wył.).
- Przed włączeniem narzędzia usunąć kliny montażowe i klucze.
- Nie używać narzędzia z niesprawnym wyłącznikiem. Narzędzie z niesprawnym wyłącznikiem stanowi zagrożenie i wymaga naprawy.



UWAGA! Niekiedy podczas pracy z narzędziami elektrycznymi powstaje pył, zawierający substancje powodujące nowotwory.

Do takich substancji chemicznych należą: ółów, wchodzący w skład bieli ołowiowej, kwarc, wchodzący w skład cegieł i cementu, arsen i chrom, wchodzące w skład opiłków, poddanych obróbce z użyciem reagentów chemicznych oraz inne szkodliwe substancje. Ryzyko oddziaływania danych substancji chemicznych zależy od częstości przeprowadzania związanych z nimi prac. **Aby zmniejszyć ich szkodliwe oddziaływanie, należy pracować w dobrze wietrzonym pomieszczeniu i używać sprawnych środków ochrony indywidualnej, na przykład respiratorów przeciwpyłowych, specjalnie opracowanych do odfiltrowania mikroskopijnych cząstek.**

- W przypadku wpadnięcia pod narzędzie postronnego przedmiotu należy dokonać oględzin pod kątem uszkodzeń oraz przeprowadzić niezbędną naprawę.
- W przypadku zaistnienia nadmiernej wibracji, wyłączyć narzędzie i niezwłocznie wyjaśnić przyczynę. Wibracja zwykle stanowi oznakę uszkodzenia.
- Przed opuszczeniem miejsca pracy, dokonaniem naprawy, oględzin lub czyszczenia narzędzia, odłączyć je i poczekać do chwili całkowitego zatrzymania się ruchomych części.
- Zabrania się zdejmowania lub zamiany wewnętrznych części narzędzia.

Szczególne zasady bezpieczeństwa

- Przed rozpoczęciem korzystania z młota należy zawsze zakładać kask ochronny, okulary ochronne lub okulary zabezpieczające wyposażone w boczne osłony (zwykle okulary lub okulary przeciwsłoneczne NIE SA



środkami ochronnymi). Pomoże to uniknąć trafienia odłamków materiału do twarzy i oczu.

- Niektóre materiały zawierają substancje chemiczne, które mogą być szkodliwe i spowodować problemy z oddechem z powodu kurzu lub gazu, które powstają podczas rozdrabniania materiału. Należy zachowywać środków ostrożności i unikać wdychania kurzu i jego trafienia na skórę. Zakładać maskę przeciwkurdzową i grube rękawice ochronne.

- Zakładać grube rękawice ochronne i ograniczać czas szkodliwego oddziaływania młota dzięki częstym pauzom w trakcie pracy. Wibracja spowodowana podczas pracy młota może uszkodzić Twoje ręce.

- Zakładać naszniki ochronne podczas pracy z młotem. Długotrwałe oddziaływanie szumu o wysokim natężeniu dźwięku może spowodować utratę słuchu.

- Podczas pracy z młotem na wysokości należy zwracać uwagę na obecność osób poniżej. Należy upewnić się w tym, że w pobliżu od strefy pracy nie ma żadnych ludzi.

- Podczas pracy nie należy kierować młot w stronę osób znajdujących się w strefie pracy. Dłuto może wylecieć z młota i poważnie kogoś zranić.

- Przed rozpoczęciem pracy należy upewnić się w tym, że dłuto jest niezawodnie zamocowane w młocie.

- W normalnych warunkach pracy młot powoduje wibrację. Śruby na skutek wibracji mogą się rozluźnić i spowodować uszkodzenie lub wypadek. Przed rozpoczęciem pracy należy sprawdzić i dokręcić śruby.

- Przed rozpoczęciem pracy w okresie zimnym lub po długiej przerwie należy przez pewien czas rozgrzać narzędzie, pozwalając pracować bez obciążenia. Spowoduje to rozrzedzenie smaru. Bez wystarczającego rozgrzania się praca napotka trudności.

- Należy mocno trzymać narzędzie obu rękami.

- Należy korzystać z rękojeści pomocniczej dostarczanej razem z narzędziem. W celu osiągnięcia maksymalnej kontroli należy trzymać narzędzie za obydwie rękojeści. Nie należy nigdy pracować młotem utrzymując go za jedną rękojeść. Utrata kontroli narzędzia może spowodować urazy.

- Należy trzymać narzędzie za izolowane rękojeści, podczas pracy, kiedy narzędzie może uszkodzić kabel elektroenergetyczny w przypadku instalacji krytej lub własny kabel elektroenergetyczny. W przypadku kontaktu z kablem pod obciążeniem części metalowe narzędzia mogą również znajdować się pod napięciem i spowodować porażenie prądem elektrycznym.

- Należy zawsze sprawdzać czy nogi znajdują się na mocnej podstawie.

- Podczas pracy z narzędziem utrzymywać pozycję ciała uniemożliwiającą zaciśnięcie pomiędzy narzędziem a ścianami lub konstrukcjami. Jeśli w trakcie pracy dłuto zostanie zaciśnięte, odrzut narzędzia może spowodować uraz Twojej ręki lub nogi.

- Nie wolno prowadzić wiercenia, mocowania lub

wyburzenia wewnątrz istniejących ścian lub innych stref ślepych, gdzie może znajdować się instalacja kryta. Jeśli taka sytuacja jest niuankoniona, należy wyłączyć wszystkie bezpieczniki lub wyłączniki poprzez które jest podawane zasilanie do miejsca przeprowadzenia prac.

- Przed rozpoczęciem pracy należy wykryć przy pomocy wykrywacza metalu obecność instalacji krytych gazowych lub wodociągowych lub zawołać w tym celu miejscową firmę odpowiedzialną za komunikację inżynierską. Uderzenie dłutem lub wcinanie się do instalacji gazowej spowoduje wybuch. Trafienie wody do narzędzia elektrycznego może spowodować porażenie prądem elektrycznym.

- Nie należy korzystać zstępionych lub uszkodzonych dłut i akcesoriów. Stępione lub uszkodzone dłuta z wielkim stopniem prawdopodobieństwa mogą zostać zaciśnięte w przedmiocie obrabianym.

- Nie przybliżać ręce do części ruchomych młota.

- Nie wypuszczaj z ręk włączanego narzędzia.

Wykonywać pracę tylko trzymając narzędzie w rękach.

- Nigdy nie należy kłaść narzędzie na podłodze do całkowitego zatrzymania silnika.

- Nie dotykać od razu po ukończeniu pracy dłuta lub części znajdujących się w pobliżu niego; mogą być nadzwyczajnie gorące i sparzyć skórę.

- W trakcie wydobycia dłuta z narzędzia należy unikać kontaktu ze skórą, zaś do wyciągania dłuta lub akcesoriów należy skorzystać z odpowiednich rękawic ochronnych. Po długotrwałej pracy akcesoria mogą być gorące.

OTWARCIE OPAKOWANIA

Przy otwarciu opakowania sprawdzić, czy zawiera ono wszystkie części. Patrz: schematy załączone do niniejszej instrukcji. W przypadku braku lub niesprawności którejkolwiek z części, należy zwrócić się do centrum obsługi iVT.

POCZĄTEK UŻYTKOWANIA

Wartość napięcia prądu powinna odpowiadać wartości wskazanej w tabeli danych z paszportu narzędzia.

RĘKOJEŚĆ POMOCNICZA (3)



UWAGA! Zawsze należy wyciągać wtyczkę narzędzia z gniazda wtyczkowego przed jego naprawą.

Mocowanie rękojeści pomocniczej (3)

W celu bezpieczeństwa należy zawsze korzystać z rękojeści pomocniczej (3). Rękojeść pomocnicza (3) pozwala osiągnąć większą stabilność podczas korzystania z młota udarowego.

Rękojeść pomocniczą (3) można ustawić w dowolną wymaganą pozycję:

1. Odluźnic śrubę rękojeści pomocniczej (4) [F1].
2. Ustawić rękojeść pomocniczą (3) w najbardziej wygodnej pozycji roboczej.
3. Ponownie dociągnąć śrubę (4).

WYMIANA DŁUTA

Wkładanie dłuta [F2]

1. Przed wkładaniem należy przetrzeć dłuto i nanieść cienką warstwę gęstego smaru na wałek narzędzia.
2. Odciągnąć jak najdalej śrubę zatrzymującą (5), przekręcić ją na 180° i puścić.
3. Wprowadzić dłuto do uchwyty (6) i przepchnąć do środka jak najdalej.
4. Ponownie odciągnąć śrubę zatrzymującą (5), przekręcić ją na 180° w przeciwnym kierunku i puścić.
5. Sprawdzić niezawodność uchwyty próbując wyciągnąć dłuto.

Usunięcie dłuta

- Aby usunąć dłuto należy wykonać powyższe czynności w kolejności odwrotnej.

WŁĄCZENIE / WYŁĄCZENIE [F3]

Przed włączeniem narzędzia należy wykryć przy pomocy wykrywacza kabla/rur obecność kabli elektroenergetycznych oraz rur gazowych lub wodociagowych ukrytych w miejscu prac wyburzeniowych.



UWAGA! Aby uniknąć niebezpieczeństwa, urządzenie należy trzymać tylko za główną (1) i pomocniczą (3) rękojeści. W przeciwnym przypadku, po uderzeniu dłutem kabla elektroenergetycznego możliwe dostać porażenia prądem.

Włączenie

Nacisnąć i pozostawić w pozycji naciśniętej przełącznik WŁ./WYŁ. (2).

Wyłączenie

Wyprowadzić przełącznik WŁ./WYŁ. (2) z pozycji naciśniętej.

UŻYTECZNE INFORMACJE



UWAGA! Podczas pracy jest potrzebny tylko niewielki nacisk dłuta na powierzchnię przedmiotu. Nadmierny nacisk kontaktowy spowoduje niepotrzebne obciążenie silnika.

Zaostrzenie dłuta

Dobrych wyników można osiągnąć tylko w przypadku, jeśli dłuto będzie ostre. Dlatego należy we właściwym czasie ostrzyć dłuto w celu jego efektywnej i długotrwałej pracy.

Należy regularnie przeglądać dłuto. Ostrzyć lub wymieniać stępione narzędzia.

OBŚLUGA I PRZECHOWYWANIE



OSTROŻNIE! Przed rozpoczęciem pracy z narzędziem należy odłączyć go od gniazdka.

- Utrzymywać narzędzie i otwory wentylacyjne (o ile są) w czystości. Regularne oczyszczanie i obsługa gwarantują wysoką efektywność i długie użytkowanie narzędzia.
- W przypadku zepsucia się, bez względu na przestrzeganie wszystkich zasad użytkowania i pobierania prób narzędzia, naprawa powinna być dokonywana w oficjalnym centrum serwisowym IVT.
- Wszystkie nakrętki, śruby i wkręty powinny być dokładnie dokręcone.
- Należy wymienić uszkodzone lub zużyte części.
- Używać tylko oryginalnych części zamiennych. Części, wyprodukowane przez innych producentów, niedokładnie przylegają i zwiększają ryzyko powstania urazów.
- Przechowywać narzędzie w suchym niedostępnym dla dzieci miejscu, w bezpiecznej odległości od materiałów łatwopalnych.
- Unikać zachlapania narzędzia wodą!

Sprawdzenie poziomu oleju

Należy sprawdzić poziom oleju przed rozpoczęciem korzystania z urządzenia:

- Ustawić urządzenie na podłodze uchwytem (6) w dół. Poziom oleju powinien być co najmniej o 3 mm powyżej dolnej krawędzi wziernika poziomu oleju (7).

Wymiana oleju [F4]

Olej musi być wymieniany przez co każde 40-50 godzin pracy.

1. Wyłączyć urządzenie i wyciągnąć wtyczkę z



gniazda wtyczkowego.

2. Odkręcić śrubę z głowicą sześciokątową i wziernikiem poziomym oleju. (7) przy pomocy klucza oczkowego sześciokątnego (8) i zlać olej. Aby uniknąć niekontrolowanego rozlewu oleju należy utrzymywać pod otworem zlewowym niewielką rynnę metalową i zbierać olej wyciekający z otworu.

Uwaga! Zużyty olej musi być zutyliizowany w odpowiednim punkcie zbioru zużytego oleju.

3. Zalać nowy olej poprzez otwór zlewowy (7) do osiągnięcia potrzebnego poziomu.

4. Ponownie dokręcić i zaciągnąć śrubę z głowicą sześciokątową i wziernikiem poziomym oleju (7).

5. Po pewnym czasie pracy należy ponownie sprawdzić poziom oleju w urządzeniu.

OCHRONA ŚRODOWISKA NATURALNEGO



Oddawajcie śmieci i odpadki do przeróbki!

Narzędzie, urządzenia dodatkowe i opakowanie należy odesłać do bezpiecznej z ekologicznego punktu widzenia przeróbki.

Elementy plastikowe są oznaczone adnotacją o możliwości klasyfikowanej przeróbki. Niniejsza instrukcja została wydrukowana na papierze makulaturowym, nie zawierającym chloru.



UWAGA! NIE NALEŻY DOKONYWAĆ PRÓB SAMODZIELNEJ NAPRAWY PRODUKTU ANI PRZY NIM MANIPULOWAĆ! Wszelkie działania dotyczące naprawy lub dodatkowej konserwacji muszą przeprowadzać wykwalifikowani i autoryzowani pracownicy centrum usługowego IVT. Nie należy dokonywać prób modyfikacji żadnych wewnętrznych części produktu! CZYNNOSC TAKA SPOWODUJE CAŁKOWITE UNIEWAŻNIENIE GWARANCJI, A TAKŻE MOŻE DOPROWADZIC DO POWAŻNEGO USZKODZENIA CIAŁA LUB PRODUKTU.

ХАРАКТАРЫСТЫКА ІНСТРУМЕНТА

Мадэль	DBRK-1500
Напружанне ~ Частата току [В ~ Гц]	230 ~ 50
Намінальная магутнасць [Вт]	1500
Намінальная частасць удараў [удараў у хвіліну]	1900
Энергія ўдару [Дж]	45
Узровень вібрацый [м/сек. ²]	18.575 (K=1.5)
Узровень гукавага ціску [у дэцыбелах А]	92.87 (K=3)
Узровень гукавай магутнасці [у дэцыбелах А]	105.00 (K=3)
Вага [кг]	14
Клас бяспекі	II

ПЕРАЛІК ЗАПЧАСТАК

1. Дзяржанне
2. Пераключальнік УКЛ. - ВЫКЛ.
3. Дапаможнае дзяржанне
4. Шруба дапаможнага дзяржання
5. Стопарная просва
6. Патрон
7. Вакно ўзроўню масла / зліўная адтуліна
8. Шасцігранны гаечны ключ

ЗМЕСЦІВА СКРЫНКІ

Інструкцыя па эксплуатацыі (1 шт.), Пірамідальнае долата (1 шт.), плоскае долата (1 шт.), дадатковая дзяржальня (1 шт.), шасцігранны накідны ключ (1 шт.), вугальныя шчоткі (1 набор).

ПРЫЗНАЧЭННЕ

Дадзеная мадэль адбойнага малатка прызначана для разбурэння аб'ектаў і рубкі абраным долатам пры цяжкіх рэжымах работы.

ТЭХНІКА БЯСПЕКІ ПАДЧАС ЭКСПЛУАТАЦЫІ

Агульныя правілы бяспекі

Наступныя інструкцыі па тэхніцы бяспекі дапамогуць карыстальніку правільна выкарыстоўваць прыладу і забяспечыць уласную бяспеку. Таму варта прачытаць іх уважліва.

У выпадку перадачы прылады трэцяй асобе, неабходна перадаць і спраўдныя інструкцыі па тэхніцы бяспекі.

Захавайце дадзеную інструкцыю і іншую літаратуру, якая ўваходзіць у камплект пастаўкі.

Вынікайце тэхніцы бяспекі і перасцярогам на

інструменты.

Перад пачаткам працы азнаёмцеся з органамі кіравання прыбора, але, першым чынам, вывучыце спосабы яго экстранага прыпынку.

Выконьванне гэтых простых інструцый дапаможа ўтрымоўваць ваш інструмент у спраўным стане.

- Перад выкарыстаннем інструмент неабходна правільна сабраць.

- Выкарыстоўвайце інструмент толькі па прызначэнні.

- Вывучыце папярэдзальныя надпісы на інструменты, вынікайце ўказанням па выкарыстанні ахоўных прыстасаванняў. Прадухіліць няшчасныя выпадкі дапамогуць уважлівасць, разумны падыход да працы і адпаведная падрыхтоўка асоб, задзейнічаных у эксплуатацыі, транспартаванні, абслугоўванні і захоўванні інструмента.

- Не пакідайце інструмент без нагляду.

- Не дапушчайце выкарыстанне інструмента дзецьмі. Не дазваляйце дзецям гуляць з інструментам.

- Не дапушчайце знаходжання зблізку дзяцей і жывёл. Староннія асобы павінны знаходзіцца на бяспечнай адлегласці ад працуючага інструмента. Спыніце працу, калі паблізу знаходзяцца староннія людзі, асабліва дзеці, ці жывёлы.

- Пры працы з інструментам карыстач нясе адказнасць за трэціх асоб.

- Асобы, не азнаёмленыя з інструкцыямі па эксплуатацыі, дзеці, непаўналетнія, не дасягнулыя ўзросту, які дазваляе выкарыстоўваць інструмент, а таксама асобы, якія знаходзяцца ў стане алкагольнага ці наркатычнага ап'янення, або пад уздзеяннем медыцынскіх рэпартаў, не дапушчаюцца да працы з інструментам. Узрост аператара вызначаны ў мясцовых нарматыўных актах.



АСЦЯРОЖНА! Алкаголь, некаторыя лекавыя прэпараты і наркатычныя рэчывы, а таксама стан хворасці, жар і стома зніжаюць хуткасць рэакцыі. Не выкарыстоўвайце электраінструменты ў вышэйпералічаных выпадках.

- Пераканайцеся, што ўсе ахоўныя прыстасаванні (ёсць у наяўнасці) ўсталюваны і прыдатныя да эксплуатацыі.
- Не выкарыстоўвайце інструмент без ахоўных прыстасаванняў (ёсць у наяўнасці), або калі яны пашкоджаны.
- Аглядайце інструмент на наяўнасць незамацаваных дэталей (гаек, нітаў, шруб і г.д.) ці пашкоджанняў. Каб забяспечыць бяспечную работу інструмента, перыядычна правярайце, ці добра зацягнуты ніты і шрубы (ёсць у наяўнасці). Пры неабходнасці перад выкарыстаннем інструмента вырабіце іх ремонт ці замену. У выпадку выкарыстання пашкоджанага інструмента аператару ці староннім тварам могуць быць нанесены сур'ёзныя траўмы.
- Выкарыстоўвайце для работы адпаведную спецвопратку. Прасторная адзежа, упрыгожванні могуць быць зацягнуты рухомымі часткамі. Выкарыстоўвайце адпаведную спецвопратку, доўгія штаны і трывалы абутак. Ахоўвайце ногі і ступні ад разлятаючага смецця. Не працуйце басанож ці ў адкрытых сандалях. Збярыце доўгія валасы ззаду.
- Утрымоўваеце рукі ў чысціні і сухасці.
- Выкарыстоўвайце адпаведныя ахоўныя прынады. Выкарыстоўвайце ахоўныя акуляры і пальчаткі. Пры працы з парашкамі або пры выкідах выхляпных газаў выкарыстоўвайце противопылевой рэспіратар. Пры неабходнасці надзеніце няслізкай абутак, каску і вушныя ўкладышы. Калі ўзровень шуму перавышае 85 дБ(А), абавязкова выкарыстоўвайце ахоўныя слухаўкі.



АСЦЯРОЖНА! Выкарыстоўвайце сродкі індывідуальнай аховы! Ахоўныя прыстасаванні і сродкі індывідуальнай аховы забяспечваюць ахову вашага здароўя і здароўя іншых асоб, а таксама гарантуюць бесперабойную работу інструмента.

- Не запускайце інструмент, калі ён знаходзіцца ў перавернутым ці няправільным працоўным палажэнні.
- Падчас працы захоўвайце ўстойлівае

становішча. Увесь час захоўвайце раўнавагу.

- Захоўвайце чысціню на працоўным участку. На загрузачныя участках назіраецца высокі ўзровень траўматызму. Перад выкарыстаннем інструмента прыбарыце з рабочай пляцоўкі ўсе староннія прадметы, а таксама пазбягайце пападання пад інструмент старонніх прадметаў падчас працы.
- Не перагружайце інструмент.
- Выкарыстоўвайце прыладу толькі пры дзённым або добрым штучным асвятленні. Не выкарыстоўвайце інструмент ва ўмовах дрэннай бачнасці.
- Не губляйце інструмент, не дапускайце сутыкнення інструмента з якімі-небудзь перашкодамі.

АСЦЯРОЖНА! Будзьце ўважлівыя. Сачыце за працай. Адцягнуўшыся, можна страціць кіраванне. Выкарыстоўвайце разумны сэнс.

Правілы электрабяспекі

УВАГА! У мэтах прадухілення ўдару электрычным токам, траўматызму ці ўзгарання пры выкарыстанні электраінструментаў неабходна выконваць наступныя інструкцыі па тэхніцы бяспекі. Перад выкарыстаннем прылады прачытайце і старанна выконвайце дадзеныя інструкцыі.

- Каб павысіць узровень бяспекі, рэкамендуецца выкарыстоўваць прыладу дыферэнцыяльнай абароны (ПДА), разлічанае на ток адключэння не больш чым 30 мА. Правярайце ПДА пры кожным выкарыстанні. Звярніцеся да кваліфікаванага электрыка.



УВАГА! Выкарыстанне ПДА ці іншага перарывальніка не вызваляе аператара ад абавязковага азначэння з правіламі тэхнікі бяспекі і прыёмамі бяспечнай працы, вызначанымі ў дадзенай інструкцыі.

- Напруга сеткі павінна адпавядаць значэнню, паказанаму на таблічцы ці цэтліку. Не выкарыстоўвайце іншыя крыніцы сілкавання.
- Перад падключэннем прылады да сеткі пераканайцеся, што разетка адпавядае дадзеных, пазначаных на цэтліку.
- Пазбягайце кантакту з заземленымі паверхнямі (трубамі, радыятарамі, батарэямі і рэфрыжэратарамі). Пры заземленні праз цела рызыка ўдару электрычным токам павялічваецца.



Інструкцыя па эксплуатацыі



АСЦЯРОЖНА! У пазбяганне апёку ці паразы электрычным токам не датыкайцеся да дэталюў, якія праводзяць электрычны ток.

- Не цягніце за кабель пры перасоўванні інструмента.
- Выкарыстоўвайце шнур з асцярожнасцю. Беражыце шнур ад уздзеяння цяпла, пазбягайце яго кантакту са змазвальнымі матэрыяламі, а таксама вострымі прадметамі ці рухомымі часткамі.
- Будзьце асцярожныя са шнурам.
- Не выкарыстоўвайце электраінструменты зблізку лёгкаўзгаральных вадкасцяў і гаручых газаў.
- Перад тым, як пераносіць інструмент на іншае месца, адключайце яго ад сеткі.



АСЦЯРОЖНА! Інструмент неабходна спачатку адключыць, а затым адлучыць ад разеткі ці падаўжальніка.

- Не пераціскайце падаўжальнік падчас працы прыбора. Не губляйце кабель з выгляду.
- Не падлучайце падаўжальнік проста да прыбора самастойна. Звярніцеся ў бліжэйшы афіцыйны цэнтр абслугоўвання.
- Пры пашкоджанні шнура харчавання, каб пазбегнуць небяспекі яго павінен замяніць вытворца або яго агент, ці аналагічнае кваліфікаванае твар.
- Неадкладна атрымаць вільку з разеткі, калі кабель пашкоджаны або разрэзаны.



УВАГА! НЕБЯСПЕКА ПАРАЗЫ ЭЛЕКТРЫЧНЫМ ТОКАМ!

Сачыце за асяроддзем на рабочай пляцоўцы. Не выкарыстоўвайце электраінструменты падчас дажджу. Не выкарыстоўвайце электраінструменты ў вільготных і волкіх памяшканнях. Утрымоўвайце рабочую пляцоўку ў сухасці, забяспечце добрае асвятленне. Беражыце прыбор ад вільгаці. Не пакідайце прыбор на адкрытым паветры на ноч. Пры трапленні вады ў электраінструмент павялічваецца рызыка ўдару электрычным токам.

- Рэгулярна і кожны раз перад выкарыстаннем правярайце кабель сілкавання на наяўнасць пашкоджанняў і прыкмет зносу. Не выкарыстоўвайце інструмент з пашкоджаным кабелем; звярніцеся ў афіцыйны цэнтр абслугоўвання.
- Падчас працы па-за памяшканнем,

выкарыстоўвайце толькі прызначаныя для гэтага падаўжальнікі з адпаведнай маркіроўкай. Пазбягайце трапленню кабеля пад інструмент, беражыце яго ад вільгаці, ад уздзеяння цяпла, пазбягайце кантакту са змазвальнымі матэрыяламі і лёгкаўзгаральнымі рэчывамі.

- Пазбягайце выпадковага запуску інструмента: перад падлучэннем да сеткі пераканайцеся, што выключальнік знаходзіцца ў палажэнні 'off' (выкл.).
- Перад уключэннем інструмента выміце ўсталявальныя кліны і ключы.
- Не выкарыстоўвайце інструмент з няспраўным выключальнікам. Інструмент з няспраўным выключальнікам уяўляе небяспеку і павінен быць адрамантаваны.



УВАГА! Часам падчас працы электраінструментаў ўтворацца пыл, якія змяшчае хімічныя рэчывы, якія выклікаюць рак.

Да такіх хімічных рэчываў адносяцца: свінец у складзе свінцовыхбяліл, кварц, які ўваходзіць у склад цэглы і цэменту, мыш'які хром, што змяшчаюцца ў піламатэрыяле, апрацаваным хімічнымі рэагентамі, і іншыя шкодныя рэчывы. Рызыка ўздзеяння дадзеных хімічных рэчываў залежыць ад чашчынні правядзення звязаных з імі работ.

Каб скараціць іх шкоднае ўздзеянне, працуйце ў памяшканні, якое добра вентылявана, і выкарыстоўвайце зацверджаныя ахоўныя прыстасаванні, напрыклад, супрацьпылавыя рэспіратары, адмыслова распрацаваныя для адфільтравання мікраскапічных часціц.

- Пры трапленні пад інструмент старонняга прадмета, аглядыце яго на наяўнасць пашкоджанняў і вырабіце неабходны рамонт.
- Пры ўзнікненні празмернай вібрацыі заглушыце інструмент і неадкладна высвятліце чынік. Вібрацыя звычайна з'яўляецца прыкметай пашкоджання.
- Перад тым, як пакінуць працоўнае месца, вырабіце рамонт, агляд ці ачыстку інструмента, адключыце яго і пачакайце да поўнага спынення.
- Забараняецца здымаць або змяняць ўнутраныя дэталі.

Адмысловыя правілы па тэхніцы бяспекі

- Перад выкарыстаннем малатка заўсёды апрацаваць ахоўны шлем (засцерагальны шлем), засцерагальныя акуляры або сродак для аховы вачэй (звычайныя акуляры або сонцаахоўныя акуляры НЕ З'ЯЎЛЯЮЦЦА сродкамі індывідуальнай аховы). Яны змогуць адбіць аскепкі матэрыялу, якія могуць паляцець у твар і вочы.



- Некаторыя матэрыялы змяшчаюць хімічныя рэчывы, якія могуць быць таксічнымі і выклікаць праблемы з дыханнем з-за пылу або газу, якія ўтвараюцца пры драбненні матэрыялу. Варта працягнуць асцярожнасць і прадухіляць удыханне пылу і трапленне яго на скуру. Апрацаваць пылаахоўную маску і тоўстыя ахоўныя рукавіцы.
- Выкарыстоўваць тоўстыя амартызуючыя пальчаткі і абмяжоўваць час шкоднага ўздзеяння малатка частымі перапынкамі ў рабоце. Вібраванне, якая выклікаецца пры рабоце адбойнага малатка, можа пашкодзіць вашыя рукі.
- Насіць супрацьшумныя навушнікі пры рабоце з малатком. Працяглае ўздзеянне шуму высокай інтэнсіўнасці можа выклікаць страту слыху.
- Пры рабоце з малатком на вышыні правярыць адсутнасць людзей на ніжэйляжачай тэрыторыі. Пераканацца ў адсутнасці людзей у небяспечнай блізкасці ад зоны работы.
- Пры рабоце не наводзіць малаток на людзей, якія знаходзяцца ў зоне работы. Долата можа выляцець з малатка і сур'ёзна параніць чалавека.
- Перад працай пераканацца ў надзейным замацаванні долата ў малатку.
- Малаток разлічаны на вібрацыю пры нармальным умовах работы. Шрубы пры вібрацыі могуць слабець і выклікаць паломку малатка або няшчасны выпадак. Перад работай старанна правярыць шчыльнасць зацяжкі шрубаў.
- Перад пачаткам работы ў халоднае надвор'е або пасля працяглага перапынку неабходна нейкі час разагрэць малаток, уключыўшы яго ўхаластую. Пры гэтым радзее змазка малатка. Без дастатковага нагрэву малаток будзе дрэнна працаваць.
- Моцна трымаць малаток абедзвюма рукамі.
- Выкарыстоўваць дапаможнае дзяржанне, якое пастаўляецца ў камплекце малатка. Для найлепшага кіравання малатком заўсёды трымаць яго за абодва дзяржанні. Ніколі не спрабаваць работаць малатком, утрымліваючы яго за адно дзяржанне. Пры рабоце ствараецца магутная ударная сіла, і можна страціць кіраванне малатком, калі спрабаваць утрымліваць яго адной рукой. Страта кантролю над малатком можа прывесці да траўмы.
- Трымаць малаток за ізаляваныя дзяржанні пры правядзенні работ, пры якіх уключаны малаток можа ўдарыць па схаваных сілавых кабелях або па ўласнаму сілавому проваду. Пры кантакце з кабелем пад нагрузкай металічныя часткі малатка могуць таксама апынуцца пад напружаннем і стаць прычынай паражэння электратокам.
- Заўсёды правяраць трываласць апоры для ног.
- Пры рабоце размяшчацца такім чынам, каб пазбегнуць заціскання паміж малатком і сценамі або слупамі. Калі пры рабоце долата апынецца заціснутым або зашчымленим, то аддача малатка

можа раздрабіць руку ці нагу рабочага.

- Не прабіваць і не праломваць малатком існуючыя сцены або іншыя зоны, недасягальныя для агляду, у якіх можа быць электраправодка. Калі ўсё ж такая работа неабходна, адлучыць і адключыць усе засцэрагалнікі або выключальнікі, праз якія падаецца электраіспраўкаванне на ўчастак правядзення работы.
- Перад пачаткам работы выявіць пры дапамозе металашукальніка наяўнасць газавых або водаправодных труб, утоеных ў месцы правядзення работы, ці выклікаць мясцовую кампанію, адказную за інжынерныя камунікацыі. Удар долатам або ўразанне ў газавую лінію прывядзе да выбуху. Трапленне вады ў электраінструмент можа выклікаць паражэнне электрычным токам.
- Не выкарыстоўваць затупленыя або пашкоджаныя долаты і прыстасаванні. Затупленыя або пашкоджаныя долаты могуць з большай верагоднасцю быць заціснутымі ў аб'екце работы.
- Не набліжаць рукі да рухальных частак малатка.
- Не выпускаць з рук працуючы малаток. Выконваць работу, толькі ўтрымліваючы малаток рукамі.
- Ніколі не класці малаток на падлогу да поўнага спынення матара.
- Не дакранацца адразу пасля работы да долата або да дэталю, якія знаходзяцца побач з ім; яны могуць быць надзвычай гарачымі і могуць абпаліць скуру.
- Пры выманні долата з малатка пазбегайце кантакту з скурай, а для захопу долата або прыстасавання выкарыстоўваць адпаведныя ахоўныя рукавіцы. Пасля працяглай работы прыстасаванні могуць моцна нагрэцца.

РАСПАКАВАННЕ

Пры распакаванні, правярце наяўнасць усіх элементаў. Глядзіце чарцяжы да дадзенай інструкцыі. Пры адсутнасці або няспраўнасці некаторых дэталю, звярніцеся ў цэнтр падтрымкі ІВТ.

ПАЧАТАК ЭКСПЛУАТАЦЫІ

Значэнне напружання харчавання павінна адпавядаць паказанаму ў табліцы пашпартных дадзеных інструмента.

ДАПАМОЖНАЕ ДЗЯРЖАННЕ (3)



УВАГА! Заўсёды адлучайце вілку сілкавання малатка перад яго наладкай.

Мацаванне дапаможнага дзяржання (3)

У мэтах бяспекі заўсёды выкарыстоўвайце дапаможнае дзяржання (3) пры рабоце з адбойным малатком. Дапаможнае дзяржання (3) дазваляе забяспечыць большую устойлівасць пры рабоце.

Дапаможнае дзяржання (3) можна ўсталяваць у любое неабходнае становішча:

1. Паслабіць шруб дапаможнага дзяржання (4) [F1].
2. Павярнуць дапаможнае дзяржання (3) у найбольш зручнае становішча для работы.
3. Зноў зацягнуць шруб (4).

ЗАМЕНА ДОЛАТА

Прыладжванне долата [F2]

1. Перад прыладжваннем працярыце долата і нанясіце тонкі пласт густой змазкі на стрыжань інструмента.
2. Адцягніце як мага далей стопарную просву (5), звярніце яе на 180° і адпусціце.
3. Устаўце долата ў патрон (6) і праштурхніце яго ўнутр як мага далей.
4. Зноў адцягніце стопарную просву (5), звярніце яе на 180° у процілеглы бок і адпусціце.
5. Праверце надзейнасць замка, спрабуючы выцягнуць долата.

Выманне долата

Для вымання долата прарабіце вышэйпаказаныя аперацыі ў зваротным парадку.

УКЛЮЧЭННЕ / ВЫКЛЮЧЭННЕ [F3]

Перад уключэннем малатка выявіць пры дапамозе кабелешукальніка/металашукальніка наяўнасць сілавых кабеляў, а таксама газавых або вадаправодных труб, утоеных у месцы разбурэння аб'екта.



УВАГА! Каб пазбегнуць небяспекі, малаток неабходна ўтрымліваць толькі за асноўнае (1) і за дапаможнае (3) дзяржання. У адваротным выпадку, пры ўдары долатам ў сілавы кабель можна атрымаць паражэнне электратокам.

Уключэнне

Націснуць і зафіксаваць у націснутым становішчы пераключальнік УКЛ./ВЫКЛ. (2)

Выключэнне

Вывесці пераключальнік УКЛ./ВЫКЛ (2) з націснутага становішча.

КАРЫСНАЯ ІНФАРМАЦЫЯ



УВАГА! Для працы долатам патрабуецца толькі нязначны ціск на паверхню аб'екта. Залішні кантактны націск долата прывядзе да непатрэбнай перагрузкі матара.

Завострыванне долата

Добрых вынікаў работы можна дасягнуць, калі толькі долата завострана. Таму неабходна своечасова вастрыць долата для яго эфектыўнай і доўгатэрміновай работы.

Рэгулярна аглядаць долата. Вастрыць або мяняць затуплены інструмент.

АБСЛУГОЎВАННЕ І ЗАХАВАННЕ



АСЦЯРОЖНА! Перш чым пачаць працу з інструментам, дастаньце сеткавай штэпсель.

- Утрымоўвайце прыбор і вентыляцыйныя адтуліны (ёсць у наяўнасці) ў чысціні. Рэгулярная ачыстка і абслугоўванне гарантуюць высокую эфектыўнасць і працяглую эксплуатацыю інструмента.
- У выпадку выхаду з ладу, нягледзячы на здзейсненыя ўмовы вытворчасці і выпрабаванняў, ремонт павінен выконвацца ў афіцыйным сервісным цэнтры ІВТ.
- Усе гайкі, ніты і шрубы павінны быць шчыльна зацягнуты.
- Замяніце пашкоджаныя ці зношаныя дэталі.
- Выкарыстоўвайце толькі фірмовыя запчасткі: ад



іншых вытворцаў могуць не падыходзіць і выклікаць дэфармацыю.

- Захоўваеце інструмент у сухім недаступным для дзяцей месцы, на бяспечнай адлегласці ад лёгкаўзгаральных матэрыялаў.
- Пазбягайце траплення вады на інструмент!

Праверка ўзроўню масла

Праверыць узровень масла перад выкарыстаннем малатка:

- Паставіць малаток на падлогу патронам (6) уніз. Узровень масла павінен быць, па меншай меры, на 3 мм вышэй ніжняга краю назіральнага вакна (7).

Замена змазачнага масла [F4]

Масла варта замяняць прыкладна праз кожныя 40-50 гадзін работы.

1. Выключыць малаток і адлучыць вілку злучальніка ад разеткі.
2. Выкруціць шруб з шасціграннай галоўкай і назіральным вакном (7) з дапамогай накіднага гаечнага ключа (8) і зліць масла. Каб пазбегнуць некантралюемага разліву масла, трэба ўтрымліваць пад зліўной адтулінай невялікі металічны жолаб і сабраць усё масла, якое вынікае з адтуліны, у ёмістасць.

Увага! Аднапрацаванае масла павінна ўтылізавацца ў адпаведным пункце збору адпрацаваных масел.

3. Заліць свежае масла праз зліўную адтуліну (7) да неабходнага ўзроўню.
4. Зноў укруціць і зацягнуць шруб з шасціграннай галоўкай і назіральным вакном (7).
5. Пасля некаторага часу работы паўторна праверыць узровень масла ў прыстасаванні.

АХОВАНА ВАКОЛЬНАГА АСЯРОДДЗЯ



Другаснае выкарыстанне сыравіны замест выкідвання яго ў смецце!

Інструмент, дадатковыя прылады і ўпакоўка падлягаюць экалагічна чыстай утылізацыі.

Пластыкавыя элементы адпраўляюцца на класіфікаваную перапрацоўку. Данае кіраўніцтва па эксплуатацыі надрукавана на другаснай паперы, якая не змяшчае хлор.

BE



УВАГА! ВЫКОНАЦЬ РАМОНТ ВЫРАБА САМАСТОЙНА І СПРАБАВАЦЬ СХВАЦЬ ЯГО СЛЯДЫ АБСАЛЮТНА НЕДАПУШЧАЛЬНА! Толькі аўтарызаваны IVT Сэрвіс-Цэнтр мае права на правядзенне рамонту і пашыранага тэхнічнага абслугоўвання. Унясенне зменаў ва ўнутраную структуру выраба забаронена! ТАКІЯ ДЗЕЯННІ НЕ ТОЛЬКІ З'ЯЎЛЯЮЦА ПАДСТАВАЙ У АДМОВЕ АД ГАРАНТЫЙНЫХ АБАВЯЗКАЎ, АЛЕ І МОГУЦЬ СТАЦЬ ПРЫЧЫНАЙ ПАШКОДЖАННЯЎ І СУР'ЁЗНЫХ КАЛЕЦТВАЎ.

ХАРАКТЕРИСТИКИ ІНСТРУМЕНТУ

Модель	DBRK-1500
Напруга ~ Частота струму [В ~ Гц]	230 ~ 50
Номінальна потужність [Вт]	1500
Номінальна частота ударів [ударів за хвилину]	1900
Енергія удару [Дж]	45
Рівень вібрацій [м/сек. ²]	18.575 (K=1.5)
Рівень звукового тиску [в децибелах А]	92.87 (K=3)
Рівень звукової потужності [в децибелах А]	105.00 (K=3)
Вага [кг]	14
Клас безпеки	II

СКЛАДНИКИ

1. Рукоятка
2. Перемикач УВІМКН. - ВИМКН.
3. Допоміжна рукоятка
4. Гвинт допоміжної рукоятки
5. Стопорний болт
6. Патрон
7. Вікно рівня масла / зливний отвір
8. Шестигранний накидний ключ

ВМІСТ КОРОБКИ

Інструкція для експлуатації (1 шт.), Пірамідальне долото (1 шт.), плоске долото (1 шт.), додаткова рукоятка (1 шт.), шестигранний накидний ключ (1 шт.), вугільні щітки (1 набір).

ПРИЗНАЧЕННЯ

Ця модель відбійного молотка призначена для руйнування об'єктів і рубки обраним долотом при важких режимах роботи.

ТЕХНІКА БЕЗПЕКИ ПРИБЕ ЕКСПЛУАТАЦІЇ

Загальні правила безпеки

Наступні інструкції з техніки безпеки допоможуть користувачеві правильно використовувати інструмент і забезпечити власну безпеку. Тому слід прочитати їх уважно.

У разі передачі інструменту третій особі слід передати і ці інструкції з техніки безпеки.

Збережіть цю інструкцію та іншу літературу, що входить в комплект поставки.

Дотримуйтеся правил техніки безпеки та застережень на інструменті.

Перед початком роботи ознайомтеся з органами управління і правилами експлуатації інструменту, але,

перш за все, дізнайтеся, як зупинити інструмент в випадку надзвичайної ситуації.

Дотримання цих простих інструкцій допоможе підтримати ваш інструмент у справному стані.

Перед використанням інструмент необхідно правильно зібрати.

Використовуйте інструмент тільки за призначенням.

Вивчіть попереджувальні написи на приладі, дотримуйтеся вказівок щодо використання захисних пристроїв. Запобігти нещасним випадкам допоможуть уважність, розумний підхід до роботи і відповідна підготовка осіб, задіяних в експлуатації, транспортуванні, обслуговуванні та зберіганні інструменту.

Не залишайте інструмент без нагляду.

Не допускайте використання інструменту дітьми. Не дозволяйте дітям гратися з інструментом.

Не допускайте знаходження поблизу дітей і тварин. Сторонні особи повинні знаходитися на безпечній відстані від працюючого інструменту.

При роботі з інструментом користувач несе відповідальність за третіх осіб.

Особи, які не ознайомлені з інструкціями з експлуатації, діти, неповнолітні, які не досягли віку, який дозволяє використовувати інструмент, а також особи, що перебувають у стані алкогольного або наркотичного сп'яніння, або під впливом медичних препаратів, не допускаються до роботи з інструментом. Вік оператора встановлюється у місцевих нормативних актах.



ОБЕРЕЖНО! Алкоголь, деякі лікарські препарати та наркотичні речовини, а також стан нездоров'я, жар і стомлення знижують швидкість реакції. Не використовуйте цей інструмент у перерахованих вище випадках.



- Переконайтеся, що всі захисні пристрої (якщо вони є в наявності) встановлені і придатні до експлуатації.
- Не використовуйте інструмент з пошкодженими захисними пристроями (якщо вони є в наявності) або без них.
- Огляньте інструмент на наявність незакріплених деталей (гайок, болтів, гвинтів, тощо) або пошкоджень. Щоб забезпечити безпечну роботу інструменту, періодично перевіряйте, чи добре затягнуті болти і гвинти (якщо вони є в наявності). При необхідності перед використанням інструменту здійсніть його ремонт або заміну. В разі використання пошкодженого інструменту оператору або стороннім особам можуть бути нанесені серйозні травми.
- Для роботи використовуйте відповідний спецодяг. Просторий одяг, прикраси можуть бути затягнуті рухомими вузлами. Використовуйте відповідний спецодяг. Захистіть ноги та ступні від сміття, що розлітається. Не працюйте босоніж або у відкритих сандалях. Зберіть довге волосся ззаду.
- Утримуйте ручки і рукоятки у чистоті і сухості.
- Використовуйте відповідні захисні пристрої. Використовуйте захисні окуляри і рукавички. При роботі з порошками або при викидах вихлопних газів використовуйте протипиловий респіратор. При необхідності одягніть неслыzące взуття, каску і вушні вклади. Якщо рівень шуму перевищує 85 дБ (А), обов'язково використовуйте захисні навушники.



ОБЕРЕЖНО! Використовуйте засоби індивідуального захисту! Захисні пристрої та ЗІЗ забезпечують захист вашого здоров'я і здоров'я людей, що знаходяться навколо вас, а також гарантують безперебійну роботу інструменту.

- Не запускайте інструмент, якщо він перевернутий або знаходиться в неробочому стані.
- Під час роботи зберігайте стійке положення. Постійно зберігайте рівновагу.
- Перед використанням приборіть з робочого майданчика всі сторонні предмети, уникайте потрапляння під інструмент сторонніх предметів під час роботи. Дотримуйтеся чистоти на робочій ділянці. На захарашених ділянках спостерігається високий рівень травматизму.
- Не перевантажуйте інструмент.
- Використовуйте інструмент тільки при денному або достатньому штучному освітленні. Не використовуйте інструмент в умовах поганої видимості.
- Не впускайте інструмент, не допускайте зіткнення інструменту з будь-якими перешкодами.

ОБЕРЕЖНО! Будьте уважні. Слідкуйте за роботою. Відволікшись, можна втратити керування. Підходьте до роботи з розумом.

Правила електробезпеки

УВАГА! З метою запобігання удару електричним струмом, заподіяння особистої шкоди або загоряння при використанні електроінструментів, необхідно дотримуватися наступних інструкцій з техніки безпеки. Перед використанням інструменту прочитайте і ретельно виконуйте ці інструкції.

- Для підвищення рівня безпеки рекомендовано використовувати пристрій диференціального захисту (ПДЗ), розрахований на струм відключення не більше ніж 30 мА. Перевіряйте ПДЗ при кожному використанні. Проконсультуйтеся у кваліфікованого електрика.



УВАГА! Використання ПДЗ або іншого переривника не звільняє оператора від обов'язкового ознайомлення з правилами техніки безпеки і прийомами безпечної роботи, зазначеними в цій інструкції.

- Напруга мережі повинна відповідати значенню, зазначеному на табличці або ярлику. Не використовуйте інші джерела живлення.
- Перед підключенням інструменту до мережі переконайтеся, що розетка відповідає даним, зазначеним на ярлику.
- Уникайте контакту з поверхнями (трубами, радіаторами, батареями та рефрижераторами). При заземленні через тіло ризик удару електричним струмом підвищується.



ОБЕРЕЖНО! Щоб уникнути опіку або ураження електричним струмом, не торкайтеся електропровідних деталей.

- Не тягніть за кабель при переміщенні інструменту.
- Використовуйте шнур з обережністю. Бережіть шнур від впливу тепла, уникайте його контакту з мастильними матеріалами, а також гострими предметами або вузлами, що рухаються.
- Будьте обережні зі шнуром.
- Не використовуйте електроінструменти поблизу



Інструкція для експлуатації

легкозаймистих рідин і горючих газів.

- Перед тим, як переносити інструмент на інше місце, відключайте його від мережі.



ОБЕРЕЖНО! Інструмент необхідно спочатку відключити, а потім від'єднати від розетки або подовжувача.

- Не затискайте подовжувач під час роботи інструменту. Не втрачайте кабель з виду.
- Не підключайте подовжувач безпосередньо до інструменту самостійно. Зверніться до найближчого офіційного центру обслуговування.
- При пошкодженні дроту живлення, щоб уникнути небезпеки, його повинен замінити виробник або його агент, або аналогічна кваліфікована особа.
- Негайно витягати вилку з розетки, якщо кабель пошкоджений або розрізаний.



УВАГА! НЕБЕЗПЕКА УРАЖЕННЯ ЕЛЕКТРИЧНИМ СТРУМОМ!

Слідкуйте за виробничим середовищем. Не використовуйте електроінструменти під час дощу. Не використовуйте електроінструменти у вологих і сирих приміщеннях. Тримайте робочу ділянку в сухості, забезпечте достатнє освітлення. Бережіть інструмент від вологи. Не залишайте прилад на відкритому повітрі на ніч. При попаданні води в електроінструмент підвищується ризик удару електричним струмом.

- Регулярно і кожного разу перед використанням перевіряйте кабель живлення на наявність пошкоджень і ознак зносу. Не використовуйте інструмент з пошкодженим кабелем; зверніться до офіційного сервісного центру.
- При роботі поза приміщенням використовуйте тільки призначені для цього подовжувачі з відповідним маркуванням. Уникайте потрапляння кабелю під інструмент, оберігайте його від вологи, від впливу тепла, уникайте контакту із мастильними матеріалами та легкозаймистими речовинами.
- Уникайте випадкового запуску: перед підключенням до мережі переконайтеся, що вимикач знаходиться в положенні «off» (вимк.)
- Перед увімкненням інструменту витягніть регулювальні клини та ключі.
- Не використовуйте інструмент з несправним вимикачем. Інструмент з пошкодженим вимикачем становить небезпеку і вимагає ремонту.



УВАГА! Інколи під час роботи електроінструментів утворюється пил, що містить хімічні речовини, що викликають рак.

До таких хімічних речовин відносяться: свинець у складі свинцевого білила, кварц, що входить до складу цегли і цементу, миш'як і хром, що містяться в пиломатеріалах, оброблених хімічними реагентами, та інші шкідливі речовини. Ризик впливу цих хімічних речовин залежить від частоти проведення пов'язаних з ними робіт.

Щоб скоротити їх шкідливий вплив, працюйте в добре провітрюваному приміщенні і використовуйте затверджені ЗІЗ, наприклад, протипилові респіратори, спеціально призначені для фільтрування мікроскопічних часток.

- При попаданні під інструмент стороннього предмета, огляньте його на наявність пошкоджень і зробіть необхідний ремонт.
- При виникненні надмірної вібрації вимкніть інструмент негайно з'ясуйте причину. Вібрація зазвичай є ознакою пошкодження.
- Перед тим, як залишити робоче місце, проведіть ремонт, огляд або очищення інструменту, вимкніть його і дочекайтесь повної його зупинки.
- Забороняється знімати або змінювати внутрішні деталі інструменту.

Особливі правила з техніки безпеки

- Перед використанням молотка завжди одягати захисний шолом (запобіжний шолом), запобіжні окуляри чи засіб для захисту очей (звичайні окуляри або сонцезахисні окуляри НЕ Є засобами індивідуального захисту). Вони зможуть відбити осколки матеріалу, які можуть полетіти в обличчя і очі.
- Деякі матеріали містять хімічні речовини, які можуть бути токсичними і викликати проблеми з диханням через пил або газ, що утворюються при дробленні матеріалу. Слід проявляти обережність і запобігати вдиханню пилу і потраплянню його на шкіру. Одягати пилозахисну маску і товсті захисні рукавиці.
- Використовувати товсті амортизуючі рукавиці і обмежувати час шкідливого впливу молотка частими перервами в роботі. Вібрація, що викликається при роботі відбійного молотка, може пошкодити ваші руки.
- Носити протишумові навушники при роботі з молотком. Тривала дія шуму високої інтенсивності може викликати втрату слуху.
- При роботі з молотком на висоті перевірити

відсутність людей на території, що знаходиться нижче. Переконайтеся у відсутності людей у небезпечній близькості від зони роботи.

- При роботі не наводити молоток у бік людей, що знаходяться в зоні роботи. Долото може вилетіти з молотка і серйозно поранити людину.
- Перед роботою переконайтеся в надійному закріпленні долота в молотку.
- Молоток розрахований на вібрацію при нормальних умовах роботи. Гвинти при вібрації можуть ослабнути і викликати поломку молотка або нещасний випадок. Перед роботою ретельно перевірити щільність затягування гвинтів.
- Перед початком роботи в холодну погоду або після довгої перерви необхідно якийсь час розігріти молоток, включивши його вхолосту. При цьому розріджується мастило молотка. Без достатнього нагрівання молоток буде погано працювати.
- Міцно тримати молоток обома руками.
- Використовувати допоміжну рукоятку, що поставляється в комплекті з молотком. Для найкращого управління молотком завжди тримати його за обидві рукоятки. Ніколи не намагатися працювати молотком, утримуючи його за одну ручку. При роботі створюється потужна ударна сила, і можна втратити керування молотком, якщо намагатися утримати його однією рукою. Втрата контролю над молотком може призвести до травм.
- Тримати молоток за ізольовані рукоятки, під час проведення робіт, при яких включений молоток може вдарити по прихованим силовим кабелям або по власному силовому дроту. При контакті з кабелем під навантаженням металеві частини молотка можуть також виявитися під напругою і стати причиною ураження електрострумом.
- Завжди перевіряти міцність опори для ніг.
- При роботі розміщуватися таким чином, щоб уникнути затиснення між молотком і стінами або стовпами. Якщо при роботі долото виявиться затиснутим або защемленим, то віддача молотка може роздробити руку або ногу робітника.
- Не пробивати і не проламувати молотком існуючі стіни або інші зони, недоступні для огляду, в яких може бути електропроводка. Якщо ж все-таки така робота необхідна, від'єднати і відключити всі запобіжники або вимикачі, через які подається електроживлення на ділянку проведення роботи.
- Перед початком роботи виявити за допомогою металощукача наявність газових або водопровідних труб, прихованих в місці проведення роботи, або викликати місцеву компанію, відповідальну за інженерні комунікації. Удар долотом або врізання в газову лінію призведе до вибуху. Попадання води в електроінструмент може викликати ураження електричним струмом.
- Не використовувати затуплені або пошкоджені

долота та пристрої. Затуплені або пошкоджені долота можуть з більшою ймовірністю бути затиснутими в об'єкті роботи.

- Не наближати руки до рухомих частин молотка.
- Не випускати з рук працюючий молоток. Виконувати роботу, тільки утримуючи молоток руками.
- Ніколи не класти молоток на підлогу до повної зупинки мотора.
- Не торкатися відразу після роботи до долота або до деталей, що знаходяться поруч з ним, вони можуть бути надзвичайно гарячими і можуть обпекти шкіру.
- При вилученні долота з молотка уникати контакту зі шкірою, а для захоплення долота або пристроєм використовувати відповідні захисні рукавиці. Після тривалої роботи пристрої можуть сильно нагрітися.

РОЗПАКУВАННЯ

При розпакуванні перевірте наявність всіх елементів. Див. креслення до даного керівництва. При відсутності або несправності деяких деталей зверніться до центру підтримки IVT.

ПОЧАТОК ЕКСПЛУАТАЦІЇ

Значення напруги живлення повинно відповідати зазначеному в таблиці паспортних даних інструменту.

ДОПОМІЖНА РУКОЯТКА (3)



УВАГА! Завжди від'єднуйте вилку електроживлення молотка перед його налагодженням.

Кріплення допоміжної рукоятки (3)

В цілях безпеки завжди використовуйте допоміжну рукоятку (3) при роботі з відбійним молотком. Допоміжна рукоятка (3) дозволяє домогтися більшої стійкості при роботі.

Допоміжну рукоятку (3) можна встановити в будь-яке необхідне положення:

1. Розслабити гвинт допоміжної рукоятки (4) [F1].
2. Повернути допоміжну рукоятку (3) в найбільш зручне положення для роботи.
3. Знову затягнути гвинт (4).

ЗАМІНА ДОЛОТА

Установлення долота [F2]

1. Перед установленням протріть долото і нанесіть тонкий шар густого мастила на стержень інструмента.
2. Відтягніть якнайдалі стопорний болт (5), поверніть його на 180° і відпустіть.
3. Вставте долото в патрон (6) і проштовхніть його всередину як можна далі.
4. Знову відтягніть стопорний болт (5), поверніть його на 180° в протилежний бік і відпустіть.
5. Перевірте надійність замка, пробуваючи витягнути долото.

Виймання долота

- Для виймання долота виконайте вищевказані операції в зворотному порядку.

УВІМКНЕННЯ / ВИМКНЕННЯ [F3]

Перед увімкненням молотка виявити за допомогою кабелешукача/металешукача наявність силових кабелів, а також газових або водопровідних труб, прихованих в місці руйнування об'єкта.



УВАГА! Щоб уникнути небезпеки, молоток необхідно утримувати тільки за основну (1) і за допоміжну (3) рукоятки. В іншому випадку, при ударі долотом в силовий кабель можна отримати ураження електрострумом.

Увімкнення

Натиснути і зафіксувати в натиснутому положенні перемикач УВІМКН. - ВИМКН. (2).

Вимкнення

Вивести перемикач УВІМКН. - ВИМКН. (2) з натиснутого положення.

КОРИСНА ІНФОРМАЦІЯ



УВАГА! Для роботи долотом потрібний лише незначний тиск на поверхню об'єкта. Надмірне контактне натискання долота призведе до непотрібного перевантаження мотора.

Заточування долота

Хороших результатів роботи можна досягти, тільки якщо долото заточене. Тому необхідно своєчасно заточувати долото для його ефективної і довгострокової роботи.

Регулярно оглядати долото. Заточувати або міняти затуплений інструмент.

ОБСЛУГОВУВАННЯ ТА ЗБЕРІГАННЯ



ОБЕРЕЖНО! Перш ніж почати роботу з інструментом, витягніть мережний штепсель.

- Тримайте інструмент і вентиляційні отвори (якщо вони є в наявності) в чистоті. Регулярне очищення та обслуговування гарантують високу ефективність і тривалу експлуатацію інструменту.
- У разі виходу з ладу, не дивлячись на зроблені помилки умови виробництва та випробувань, ремонт повинен виконуватися в офіційному сервісному центрі IVT.
- Всі гайки, болти і гвинти повинні бути щільно затягнуті.
- Замініть пошкоджені або зношені деталі.
- Використовуйте тільки оригінальні запчастини. Деталі, виготовлені стороннім виробником, прилягають нещільно і підвищують ризик виникнення травм.
- Зберігайте інструмент у сухому недоступному для дітей місці, на безпечній відстані від легкозаймистих матеріалів.
- Запобігайте попаданню води на інструмент!

Перевірка рівня мастила

Перевірити рівень мастила перед використанням молотка:

- Поставити молоток на підлогу патроном (6) вниз. Рівень мастила повинен бути, щонайменше, на 3 мм вище нижнього краю оглядового вікна (7).

Заміна мастила [F4]

Мастило слід замінювати приблизно через кожні 40-50 годин роботи.

1. Вимкнути молоток і від'єднати вилку з'єднувача від розетки.
2. Вкрутити гвинт із шестигранною головкою і оглядовим вікном (7) за допомогою накидного гайкового ключа (8) і злити мастило. Щоб уникнути неконтрольованого розливу мастила, треба утримувати під зливним отвором невеликий металевий жолоб і зібрати все мастило, яке витікає з отвору, в смітку.



Увага! Відпрацьоване мастило має бути утилізоване у відповідному пункті збору відпрацьованих мастил.

3. Залити свіже мастило через зливний отвір (7) до необхідного рівня.
4. Знову вкрутити і затягнути гвинт із шестигранною головкою і оглядовим вікном (7).
5. Після деякого часу роботи повторно перевірити рівень мастила в пристрої.

ЗАХИСТ НАВКОЛИШНЬОГО СЕРЕДОВИЩА



Відправляйте сировину на вторинну переробку замість того, щоб викидати її на сміття!

Інструмент, додаткові пристосування та упаковка підлягають екологічно безпечній утилізації.

Пластикові елементи відправляються на класифіковану переробку. Цей посібник з експлуатації надруковано на Вторинному папері, який не містить хлор.

UK



УВАГА! ЗДІЙСНЮВАТИ РЕМОТ ВИРОБУ САМОСТІЙНО І НАМАГАТИСЯ ПРИХОВАТИ ЙОГО СЛІДИ АБСОЛЮТНО НЕПРИПУСТИМО! Тільки авторизований IVT Сервіс-Центр має право на здійснення ремонту і розширеного технічного обслуговування. Внесення змін у внутрішню будову виробу заборонено! ТАКІ ДІЇ НЕ ТІЛЬКИ Є ПІДСТАВОЮ ДЛЯ ВІДМОВИ ВІД ЗОБОВ'ЯЗАНЬ, АЛЕ Й МОЖУТЬ ПРИЗВЕСТИ ДО УШКОДЖЕНЬ І СЕРІОЗНИХ КАЛІЦТВ.

SPECIFICHE TECNICHE

Modello	DBRK-1500
Voltaggio ~ Frequenza [V ~ Hz]	230 ~ 50
Potenza nominale [W]	1500
Numero di colpi a vuoto [BPM]	1900
Energia di impatto [J]	45
Livello di vibrazione [m/s ²]	18.575 (K=1.5)
Pressione sonora [dB(A)]	92.87 (K=3)
Potenza sonora [dB(A)]	105.00 (K=3)
Peso [Kg]	14
Classe di sicurezza	II

COMPONENTI

1. Maniglia
2. Interruttore di avvio / arresto
3. Maniglia ausiliaria
4. Vite della maniglia ausiliaria
5. Bullone di bloccaggio
6. Mandrino
7. Finestra di ispezione / apertura di riempimento olio
8. Chiave esagonale

CONTENUTO DELLA CONFEZIONE

Istruzioni per l'uso (1 pz), scalpello a punta (1 pz), scalpello piatto (1 pz), maniglia ausiliaria (1 pz), chiave esagonale (1 pz), spazzole di carbone (1 set).

UTILIZZO

Questo strumento è stato progettato per lavori di demolizione e di scappellatura, tramite l'uso dello scalpello appropriato.

NORME DI SICUREZZA PER L'USO

Regole generali di sicurezza

Le seguenti istruzioni di sicurezza servono per il corretto utilizzo dello strumento e per la tutela della propria sicurezza, pertanto si prega di leggere molto attentamente.

Quando si passa questo strumento ad una terza persona, anche queste istruzioni devono essere consegnate.

Conservare questo manuale di istruzioni e tutta la documentazione in dotazione con lo strumento per farvi riferimento in futuro, in caso di bisogno.

Integrare le seguenti norme di sicurezza con le indicazioni riportate sul prodotto.

Prendere confidenza con tutti i pulsanti e i controlli e assicurarsi di conoscere il corretto utilizzo dello

strumento prima di iniziare a utilizzarlo, ma soprattutto assicurarsi di sapere come interromperne l'uso in caso di emergenza.

Seguire queste semplici istruzioni contribuirà inoltre a mantenere lo strumento in buone condizioni di lavoro.

- Lo strumento deve essere montato correttamente prima dell'uso.

- Usare lo strumento solamente per gli scopi per cui è stato progettato.

- In aggiunta al prodotto sono state progettate anche delle etichette di sicurezza che devono essere prese in considerazione assieme con le indicazioni in merito all'equipaggiamento di sicurezza che deve essere adottato. La prevenzione di incidenti dipende dalla consapevolezza, dal buon senso e dalla formazione adeguata di tutti i soggetti coinvolti nell'utilizzo, nel trasporto, nella manutenzione e stoccaggio dello strumento.

- Non lasciare mai lo strumento incustodito.

- Non permettere ai bambini di utilizzare lo strumento. I bambini devono essere tenuti sempre sotto controllo per impedire che giochino con lo strumento.

- Tenere i bambini e gli animali domestici lontano. I terzi devono essere mantenuti a un'opportuna distanza di sicurezza quando lo strumento è in uso. Interromperne l'utilizzo se vi sono nei paraggi altre persone, specialmente bambini o animali domestici.

- L'utente è responsabile per i terzi, mentre lavora con lo strumento.

- Le persone che non conoscono le istruzioni per l'uso, i bambini, i minori che non hanno ancora raggiunto l'età minima per l'utilizzo di questo strumento e le persone sotto l'influenza di alcool, droghe o farmaci non sono autorizzati ad utilizzare lo strumento. Alcune normative locali possono stabilire l'età minima dell'utilizzatore.



ATTENZIONE! Il consumo di alcool, farmaci e droghe, oltre a stati di malattia, febbre e stanchezza possono influenzare la capacità di reagire. Non usare lo strumento in una o più di queste condizioni.

- Assicurarsi che tutti i dispositivi di protezione (se presenti) siano montati correttamente e che siano in buone condizioni.

- Non usare mai lo strumento con i dispositivi di sicurezza o eventuali protezioni (se presenti) difettosi o senza dispositivi di sicurezza correttamente montati.

- Ispezionare bene lo strumento per cercare parti eventualmente allentate (per esempio: dadi, bulloni, viti, etc) e eventuali danni. Controllare a intervalli frequenti, che viti e bulloni siano adeguatamente serrati e che le attrezzature siano in buone condizioni di lavoro. Ripararle o sostituirle, se necessario, prima di utilizzare lo strumento. Gravi lesioni all'operatore e ai presenti possono verificarsi se vi è un danno allo strumento.

- Durante il funzionamento dello strumento, vestirsi adeguatamente. Non indossare abiti larghi o gioielli che potrebbero impigliarsi nello strumento. Indossare indumenti da lavoro adatti. Si raccomanda che le gambe e i piedi siano ben coperti, al riparo da eventuali schegge durante il lavoro. Non utilizzare lo strumento se si è a piedi nudi o con sandali aperti. I capelli lunghi devono essere raccolti dietro la nuca.

- Mantenere tutte le impugnature e i manici asciutti, puliti e privi di olio o grasso.

- Usare dispositivi di protezione. Usare occhiali di protezione e guanti di sicurezza. Indossare anche una mascherina antipolvere durante le operazioni polverulente e se sono presenti gas di scarico. Quando è necessario, indossare anche scarpe robuste e antiscivolo, casco e tappi per le orecchie. Se il livello di rumore supera 85 dB (A), è obbligatoria una protezione acustica.



ATTENZIONE! Utilizzare dispositivi di protezione personale! I dispositivi di sicurezza e le attrezzature di protezione personale proteggono la propria salute e la salute degli altri e garantiscono un funzionamento senza problemi dello strumento.

- Non iniziare ad utilizzare lo strumento se questo è capovolto o non è nella corretta posizione di lavoro.

- Accertarsi di avere una corretta posizione mentre si opera con lo strumento. Mantenere una posizione salda e un buon equilibrio in ogni momento.

- Tenere pulita l'area di lavoro. Prima dell'uso dello strumento, tutti gli eventuali ostacoli devono essere rimossi dalla zona di lavoro; prestare attenzione anche a eventuali corpi estranei durante il lavoro.

- Non forzare lo strumento.

- Lavorare solo alla luce del giorno o comunque in condizioni di sufficiente illuminazione artificiale. Non utilizzare mai lo strumento senza una buona visibilità.

- Fare attenzione a non fare cadere lo strumento o ad urtarlo contro ostacoli.

ATTENZIONE! Mantenere sempre un'attenzione costante. Prestare attenzione a quello che si sta facendo. La distrazione può causare la perdita di controllo. Utilizzare il buon senso.

Regole di sicurezza elettriche

ATTENZIONE! Quando si usano utensili elettrici, si devono osservare le seguenti istruzioni di sicurezza per evitare il rischio di scosse elettriche, lesioni personali e incendio. Leggere e osservare attentamente tali istruzioni prima di utilizzare lo strumento.

- Per una maggiore sicurezza, si raccomanda di usare un dispositivo di protezione dalla corrente residua (RCD) con una corrente di apertura non superiore ai 30 mA. Controllare sempre tale dispositivo ogni volta che si usa la macchina. Consultare un elettricista affidabile.



ATTENZIONE! L'uso di un RCD o di un salvavita nel cablaggio non dispensa l'utente dal considerare le seguenti istruzioni di sicurezza e seguire indicazioni di lavoro sicure illustrate in questo manuale.

- Il valore di tensione della corrente deve corrispondere a quello descritto sulla targhetta dei dati tecnici. Non usare altri voltaggi. La connessione del dispositivo a qualsiasi altra fonte di energia può causare danni.

- Prima di inserire la spina nella presa della corrente, assicurarsi che il voltaggio sia corretto e corrisponda a quello riportato sulla targhetta dell'apparecchio.

- Evitare il contatto del corpo con eventuali oggetti a terra, come tubi, radiatori, fornelli e frigoriferi. C'è un aumento del rischio di scosse elettriche se il corpo è messo a terra.



ATTENZIONE! Toccare le parti elettrificate può causare morte per scosse elettriche o bruciate.

- Non spostare mai l'apparecchio tirandolo per il cavo.
- Non tirare il cavo elettrico. Tenerlo lontano da fonti di calore, olio, spigoli vivi o parti in movimento.
- Guidare i cavi elettrici sempre in modo sicuro.
- Non utilizzare utensili elettrici vicino a liquidi o a gas infiammabili.
- Scollegare sempre l'apparecchio dalla rete elettrica prima di trasportarlo in altri luoghi.



ATTENZIONE! L'apparecchio deve sempre essere staccato dalla corrente prima di scollegare qualsiasi connettore ad innesto o prolunga.

- Non passare l'apparecchio sopra al cavo elettrico mentre lo strumento è in funzione. Assicurarsi di sapere sempre dove si trova il cavo.
- Non collegare da sé un cavo di alimentazione direttamente al dispositivo. Portarlo presso il punto di assistenza più vicino.
- Per evitare qualsiasi rischio, in caso di danneggiamento, il cavo di alimentazione dovrebbe essere sostituito dal produttore o da un suo agente, o comunque da personale qualificato.
- Staccare immediatamente la spina dalla presa di corrente se il cavo è danneggiato o tagliato.



ATTENZIONE! PERICOLO DI SCOSSA ELETTRICA!

Esaminare sempre l'ambiente di lavoro. Non esporre i dispositivi elettrici alla pioggia. Non utilizzare gli elettrotensili in luoghi umidi o bagnati. Mantenere l'area di lavoro ben illuminata ed asciutta. Evitare che il dispositivo si bagni o venga esposto all'umidità. Non lasciarlo fuori la notte. Se entra acqua in un apparecchio elettrico vi è un aumento del rischio di scosse elettriche.

- Il cavo di alimentazione deve essere controllato periodicamente e, prima di ogni utilizzo, assicurarsi che non sia danneggiato o usurato. Se il cavo non è in buone condizioni, non utilizzare l'apparecchio; portarlo in un centro di assistenza autorizzato.
- Quando lo strumento viene impiegato all'aperto, utilizzare esclusivamente un cavo di prolunga per esterni,

marchiato per questo uso specifico. Tenerlo lontano dalla zona di lavoro, da umidità, superfici bagnate o oleose e lontano da fonti di calore e combustibili.

- Evitare qualsiasi avviamento involontario del dispositivo: accertarsi che l'interruttore di accensione sia spento prima di collegare lo strumento alla corrente.
- Rimuovere eventuali chiavi di regolazione prima di accendere lo strumento.
- Non utilizzare lo strumento se l'interruttore di accensione/spengimento è difettoso o non funziona correttamente. Qualsiasi strumento che non può essere controllato tramite il suo interruttore è pericoloso e deve essere riparato.



ATTENZIONE! Durante l'utilizzo dello strumento, potrebbero essere prodotte alcune polveri contenenti sostanze chimiche che possono causare il cancro, difetti genetici e altri problemi riproduttivi.

Alcune di queste sostanze chimiche sono: vernici a base di piombo, silice cristallina di mattoni e cemento e altri prodotti per muratura, arsenico e cromo derivanti da legname trattato chimicamente e altri prodotti pericolosi. Se tali polveri sono presenti, il rischio varia in base alla lunghezza dell'esposizione e al tipo di lavoro.

Per ridurre l'esposizione a tali sostanze chimiche, ogni volta che si compiono operazioni polverulente, lavorare in una zona ben ventilata con dispositivi di sicurezza approvati, come le maschere anti-polvere, che sono state appositamente progettate per filtrare anche le particelle microscopiche.

- Se con lo strumento si colpisce un corpo estraneo, esaminare il dispositivo per individuare eventuali danni e procedere con tutte le riparazioni necessarie prima di riavviare e continuare a lavorare.
- Se lo strumento inizia a vibrare in modo anomalo, spegnerlo e cercare di individuare immediatamente la causa. Vibrazioni anomale sono dovute generalmente a malfunzionamenti.
- Spegnerlo sempre il dispositivo e aspettare che esso si sia fermato completamente quando lo si lascia incustodito, prima di fare manutenzione, prima di controllarlo e pulirlo.
- È proibito modificare o rimuovere qualsiasi parte interna del dispositivo.

Regole di sicurezza specifiche

- Indossare sempre un cappello rigido (casco di sicurezza), occhiali di protezione o una visiera quando si usa lo strumento (gli occhiali da vista o gli occhiali da sole NON sono occhiali di protezione). Tali dispositivi sono necessari per ripararsi da possibili frammenti di



materiale che potrebbero essere scagliati, durante il lavoro, contro il viso e gli occhi.

- Alcuni materiali contengono sostanze chimiche che potrebbero essere tossiche, le polveri o i gas rilasciati dal materiale che si sta lavorando potrebbero causare danni all'apparato respiratorio. Fare attenzione ad evitare di inalare tali polveri ed evitare il contatto con la pelle. Utilizzare una maschera anti-polvere e guanti di protezione resistenti.

- Utilizzare guanti di protezione resistenti e imbottiti e limitare il tempo di esposizione alternando il lavoro a frequenti periodi di riposo. Le vibrazioni causate dal funzionamento del martello demolitore possono essere dannose per mani e braccia.

- Indossare protezioni acustiche mentre si usa lo strumento. L'esposizione prolungata ad alti livelli di rumore può causare la perdita dell'udito.

- Accertarsi che, mentre si utilizza lo strumento in posizioni alte, nessuno sia presente nell'area sottostante. Assicurarsi che nessuno sia vicino all'area di lavoro.

- Non puntare lo strumento in direzione di altre persone nell'area di lavoro. Lo scalpello potrebbe essere espulso e ferire seriamente qualcuno.

- Assicurarsi che lo scalpello sia ben fissato nella corretta posizione prima di azionare lo strumento.

- Durante il normale funzionamento, l'utensile produce vibrazioni. Le viti potrebbero allentarsi, causando un guasto o un incidente. Controllare attentamente che tutte le viti siano ben serrate prima di ogni avvio dello strumento.

- Se fa freddo, oppure se lo strumento non è stato usato per un lungo periodo di tempo, permettere all'utensile di scaldarsi, facendolo funzionare per un po' a vuoto. Questo consente di sciogliere il lubrificante. L'operazione di martellamento diventa difficile se l'utensile non è riscaldato sufficientemente.

- Tenere saldamente lo strumento con entrambe le mani.

- Utilizzare sempre la maniglia ausiliaria fornita con lo strumento. Utilizzare sempre entrambe le maniglie, per avere un controllo perfetto. Non provare mai ad utilizzare questo strumento impugnandolo con una mano sola. Esso genera forze di percussione intense durante il funzionamento e si potrebbe perdere il suo controllo se si tentasse di utilizzarlo con una sola mano. La perdita di controllo dello strumento può causare serie lesioni.

- Tenere lo strumento soltanto per le impugnature isolate quando si esegue una operazione in cui l'accessorio inserito potrebbe entrare in contatto con fili elettrici nascosti o con il cavo di alimentazione dell'utensile stesso. Il contatto con un cavo sotto tensione può mettere sotto tensione anche le parti metalliche dell'apparecchio, causando una scossa elettrica.

- Assicurarsi sempre di avere i piedi saldamente appoggiati a terra.

- Posizionarsi in maniera tale da evitare di rimanere incastrati con i movimenti fra lo strumento e le pareti o eventuali pali. Nel caso in cui lo scalpello dovesse incastrarsi o rimbalsare sul materiale in lavorazione, la reazione dello strumento potrebbe causare lo schiacciamento di un mano o di una gamba.

- Non forare, abbattere o demolire muri esistenti o altre aree cieche in cui vi potrebbero essere cavi elettrici nascosti. Se questa situazione è inevitabile, disabilitare gli impianti nell'area di lavoro.

- Prima di iniziare a lavorare, utilizzare un rilevatore adatto a determinare se ci sono tubi del gas o dell'acqua nascosti nell'area di lavoro o contattare la società erogatrice locale per assistenza in merito. Un contatto con linee elettriche può provocare lo sviluppo di incendi e di scosse elettriche. Danneggiando linee del gas, c'è il pericolo di esplosioni. Se nel dispositivo elettrico entra dell'acqua, ci può essere il pericolo di scosse elettriche.

- Non utilizzare scalpelli spuntati e accessori danneggiati. Scalpelli spuntati o rovinati hanno una tendenza a incastrarsi nel materiale.

- Tenere le mani lontano dalle parti in movimento.

- Non posare lo strumento mentre è ancora in funzione. Azionare lo strumento solo quando questo è tenuto saldamente in mano.

- Non posare lo strumento finché il suo motore si sarà completamente fermato.

- Non toccare lo scalpello o le parti vicine ad esso immediatamente dopo l'utilizzo dell'utensile; poiché potrebbero essere estremamente calde e causare bruciate.

- Quando si sta rimuovendo lo scalpello dallo strumento, evitare il contatto con la pelle ed utilizzare guanti di protezione adatti quando si afferra lo scalpello o l'accessorio. Gli accessori potrebbero essere estremamente caldi dopo un uso prolungato.

ESTRARRE DALL'IMBALLAGGIO

Quando si apre la confezione, assicurarsi che tutti i componenti siano inclusi. Consultare le istruzioni su questo manuale. Per eventuali parti mancanti o danneggiate, si prega di contattare l'assistenza IVT.

MESSA IN FUNZIONE

Usare sempre la corretta tensione di alimentazione: essa deve coincidere con le specifiche riportate sulla targhetta apposta sul prodotto.



MANIGLIA AUSILIARIA (3)



ATTENZIONE! Prima di qualunque intervento sull'utensile, estrarre la spina dalla presa di corrente.

Montaggio della maniglia ausiliaria (3)

Per la propria sicurezza, il trapano demolitore va utilizzato con la maniglia ausiliaria (3) montata. La maniglia ausiliaria (3) permette di avere una migliore stabilità, mentre si utilizza lo strumento.

La maniglia ausiliaria (3) può essere spostata liberamente nella posizione di lavoro più comoda:

1. Allentare le vite della maniglia ausiliaria (4) [F1].
2. Girare la maniglia ausiliaria (3), portandola nella posizione di lavoro più confortevole.
3. Serrare le vite della maniglia ausiliaria (4).

SOSTITUZIONE DEGLI SCALPELLI

Inserimento dello scalpello [F2]

1. Pulire lo scalpello e applicare un sottile strato di grasso sul suo codolo, prima di montarlo sullo strumento.
2. Estrarre completamente il bullone di bloccaggio (5), girarlo di 180° e rilasciarlo.
3. Inserire lo scalpello nel mandrino (6) e spingerlo fino alla battuta.
4. Estrarre di nuovo il bullone di bloccaggio (5), girarlo di 180° nella direzione inversa e rilasciarlo.
5. Tirare lo scalpello per controllarne il serraggio.

Estrazione dello scalpello

- L'estrazione dello scalpello avviene procedendo nell'ordine inverso.

ACCENSIONE E SPEGNIMENTO [F3]

Prima di iniziare a lavorare con lo strumento, controllare per mezzo di un rilevatore che nell'area in cui si sta per intervenire non vi siano cavi elettrici e tubi di gas o acqua nascosti.



ATTENZIONE! Per evitare rischi, l'apparecchio deve essere tenuto sempre da entrambe le maniglie (1) (3)! Altrimenti, nel caso in cui lo scalpello dovesse incontrare cavi, sussiste il rischio di scosse elettriche!

Accensione

Premere l'interruttore di avvio / arresto (2).

Spegnimento

Rilasciare l'interruttore di avvio / arresto (2).

CONSIGLI PRATICI



ATTENZIONE! Per lavori di scalpello, è necessaria solo una leggera pressione. Una pressione eccessiva potrebbe sottoporre il motore ad inutile sforzo.

Affilatura degli scalpelli

Buoni risultati possono essere ottenuti solo utilizzando scalpelli affilati. Gli scalpelli devono essere affilati regolarmente per assicurare buoni risultati di lavoro e una lunga durata dell'utensile.

Controllare lo stato delle punte a scalpello con scadenza regolare. Sostituire gli scalpelli usurati.

MANUTENZIONE E STOCCAGGIO



ATTENZIONE! Prima di qualsiasi intervento sul dispositivo stesso, togliere la spina dalla corrente.

- Tenere sempre lo strumento e le fessure di ventilazione (se presenti) pulite. La regolare pulizia e manutenzione dello strumento ne garantiscono l'efficienza e ne prolungano la vita.
- Se lo strumento non dovesse funzionare, nonostante le rigorose procedure di collaudo, la riparazione deve essere effettuata da un servizio IVT autorizzato.
- Tenere tutti i dadi, bulloni e viti ben serrati, per essere sicuri che lo strumento sia in buone condizioni operative.
- Sostituire tutte le parti usurate o danneggiate per sicurezza.
- Utilizzare esclusivamente ricambi originali. L'uso di parti di ricambio non originali o non autorizzate dal produttore potrebbero causare scarse prestazioni o lesioni personali.
- Conservare lo strumento in un ambiente asciutto, fuori dalla portata dei bambini e lontano da materiali infiammabili.
- Non bagnare mai il dispositivo, né spruzzare acqua su di esso!

Controllo del livello dell'olio

Il livello dell'olio deve essere controllato prima di ogni utilizzo dell'apparecchio:

- Posizionare l'apparecchio a terra con il mandrino (6)



rivolto verso il basso. Il livello dell'olio deve superare di almeno 3 mm il bordo inferiore della finestra di ispezione (7).

Cambio dell'olio [F4]

L'olio deve essere sostituito dopo circa 40-50 ore di utilizzo.

1. Spegnerne l'utensile e togliere la spina dall'alimentazione.
2. Svitare la vite a testa esagonale della finestra di ispezione (7) utilizzando la chiave esagonale (8) e drenare l'olio. Per evitare che l'olio fuoriesca in modo incontrollato, tenere sotto all'apertura una piccola canaletta metallica e raccogliere l'olio in un recipiente finché non sia fuoriuscito completamente.

Importante! L'olio usato deve essere smaltito negli appositi centri di raccolta!

3. Versare l'olio nuovo attraverso l'apposita apertura di riempimento olio (7) fino a raggiungere il livello richiesto.
4. Riavvitare la vite a testa esagonale della finestra di ispezione (7).
5. Dopo un breve tempo di esercizio, il livello dell'olio deve essere controllato nuovamente.

TUTELA AMBIENTALE



Riciclare le materie prime invece di smaltirle come rifiuti.

Lo strumento, gli accessori e l'imballaggio devono essere ordinati per il riciclaggio ecocompatibile.

I componenti in plastica sono classificati per il riciclaggio categorizzato. Queste istruzioni sono stampate su carta riciclata.



ATTENZIONE! NON TENTARE DI RIPARARE IL PRODOTTO DA SOLI E NON MANOMETTERLO! Qualsiasi operazione di riparazione o di manutenzione straordinaria deve essere eseguita esclusivamente da un Centro di Assistenza IVT qualificato ed autorizzato. Non modificare nessuna componente interna del prodotto! **QUESTO COMPORTAMENTO INVALIDERÀ COMPLETAMENTE LA GARANZIA E POTREBBE CAUSARE INFORTUNI E SERI DANNI MATERIALI.**



SPECIFIKACE NÁŘADÍ

Model	DBRK-1500
Napětí ~ Kmitočet [V ~ Hz]	230 ~ 50
Jmenovitý příkon [W]	1500
Počet úderů [úderů/min]	1900
Úderová energie [J]	45
Hladina vibrací [m/s ²]	18.575 (K=1.5)
Hladina akustického tlaku [dB(A)]	92.87 (K=3)
Hladina akustického výkonu [dB(A)]	105.00 (K=3)
Hmotnost [kg]	14
Bezp. třída	II

SEZNAM DÍLŮ

1. Rukojeť
2. Vypínač
3. Pomocná rukojeť
4. Šroub pomocné rukojeti
5. Aretační šroub
6. Sklíčidlo
7. Kontrolní okénko / plnicí otvor oleje
8. Klíč na šestihránné matice

OBSAH KRABICE

Návod k použití (1 ks), Kulatý sekáč (1 ks), plochý sekáč (1 ks), přídatná rukojeť (1 ks), 6hranný klíč (1 ks), uhlíky/kartáče (1 sada).

ZAMÝŠLENÉ POUŽITÍ

Tento model bouracího klavida je určen k těžké demoliční práci a vysekávání pomocí vhodného sekáče.

BEZPEČNOSTNÍ PŘEDPISY PRO POUŽITÍ

Obecná bezpečnostní pravidla

Následující bezpečnostní pokyny vás mají seznámit se správným použitím nářadí a proto je pozorně čtěte v zájmu vlastního bezpečí.

Při předání nářadí někomu jinému předejte i tyto pokyny.

Návod k použití a další literaturu dodávanou s nářadím uschovejte k budoucímu nahlédnutí.

Respektujte všechny bezpečnostní informace a varování uvedené na nářadí.

Seznamte se předem s ovládacími prvky a správným použitím nářadí a hlavně zjistěte, jak nářadí v nouzi správně vypnout.

Dodržováním těchto jednoduchých pokynů také udržíte nářadí v "dobrém stavu."

- Nářadí je nutno před použitím správně smontovat.
- Nářadí používejte pouze k účelu, k němuž je určeno.
- Na nářadí mohou být nálepky a další bezpečnostní symboly, které je nutno respektovat. K předcházení nehodám je důležité, aby každý, kdo používá, udržuje nebo skladuje toto nářadí, dával pozor, používal zdravý rozum a byl příslušně vyškolen.
- Nenechávejte nářadí bez dozoru..
- Nesvěřujte nářadí dětem. Děti musí být pod dohledem, aby si s nářadím nehrály.
- Děti a domácí zvířata udržujte v bezpečné vzdálenosti. Při použití nářadí musí být neúčastněné osoby v bezpečné vzdálenosti.
- Uživateli nářadí nese odpovědnost vůči třetím stranám.
- Osoby neseznámené s návodem k použití, děti a mladiství, kteří nedosáhli minimálního věku předepsaného pro práci s tímto nářadím a také osoby pod vlivem alkoholu, drog nebo léků nesmí s nářadím pracovat. Minimální věk obsluhy mohou určovat místní předpisy.



VAROVÁNÍ! Užívání alkoholu, léků a drog stejně jako nemoc, horečka nebo únava nepříznivě ovlivní vaši reakční schopnost. Za takových okolností nářadí nepoužívejte.

- Zkontrolujte, zda jsou všechny ochranné prvky (pokud jsou instalovány) v dobrém stavu.
- Nepoužívejte nářadí s vadnými ochrannými prvky nebo kryty (pokud jsou instalovány) nebo bez nich.
- Zkontrolujte nářadí, zda nechybí některé součásti (např. šrouby, matice atd.) a zda není poškozeno. Pravidelně a často kontrolujte dotažení šroubů a matic (pokud jsou použity) a také to, zda je nářadí v dobrém stavu. Před použitím nářadí vždy odstraňte všechny



závady. Poškozené nářadí může způsobit vážné

poranění obsluhy nebo nezúčastněných osob v okolí.

- Při použití nářadí noste vhodný oděv. Nenoste volný oděv ani šperky, které by nářadí mohlo zachytit. Noste vhodný pracovní oděv. Doporučujeme chránit nohy a chodidla před odletujícími částicemi. Nepracujte bosí ani v sandálech. Dlouhé vlasy stáhněte dozadu.
- Rukojeti a madla uchovávejte suchá, čistá, bez mastnoty a oleje.

- Používejte ochranné pomůcky. Používejte bezpečnostní brýle a rukavice. Při práci v prašném prostředí nebo v přítomnosti výfukových plynů noste respirátor. Dle potřeby i boty s neklouzavou podrážkou, přilbu a ucpávky do uší. Ochrana sluchu je povinná, pokud hluk překračuje 85 dB(A).



VAROVÁNÍ! Používejte osobní ochranné pomůcky! Bezpečnostní výbava a ochranné pomůcky chrání vaše zdraví i zdraví osob v okolí a přispívají k bezproblémovému používání nářadí.

- Nepoužívejte nářadí v poloze vzhůru nohama nebo pokud není v pořádku.
- Ujistěte se, že máte tělo ve stabilní poloze. Neustále kontrolujte pevnost opory a rovnováhu.
- Pracoviště udržujte v čistotě. Nepořádek přispívá ke vzniku úrazů. Před použitím nářadí z pracoviště odstraňte volně pohozené předměty a dávejte pozor na okolní předměty i během práce.
- Nářadí netlačte násilím do záběru.
- Pracujte za přirozeného světla nebo kvalitního umělého osvětlení. Nepoužívejte nářadí, pokud na práci dobře nevidíte.
- Nářadí chraňte před pády a nárazy do překážek.

POZOR! Buďte pozorní. Soustředte se na práci. Nepozornost může znamenat ztrátu kontroly. Používejte zdravý rozum.

Elektrická bezpečnost

POZOR! Při použití elektrického nářadí je nutno dodržovat následující bezpečnostní pokyny pro předcházení rizika zásahu elektrickým proudem, poranění a požáru. Tyto pokyny pozorně čtete před použitím nářadí a dodržujete je.

- V zájmu zvýšení elektrické bezpečnosti doporučujeme ochranu před svodovým proudem (RCD) s citlivostí do 30 mA. RCD je nutno při každém použití zkontrolovat. Obráťte se na spolehlivého elektrikáře.



VAROVÁNÍ! Použití RCD nebo jističe nezbavuje obsluhu odpovědnosti za dodržování bezpečnostních pokynů a bezpečných pracovních postupů uvedených v tomto návodu.

- Síťové napětí musí odpovídat údajům na štítcích na nářadí a v tomto návodu. Nepoužívejte jiné napájení.
- Před zasunutím koncovky kabelu do elektrické zásuvky zkontrolujte, zda jsou parametry napájecí sítě shodné s údaji na typovém štítku přístroje.
- Vyhněte se dotyku částí těla s uzemněnými povrchy, jako jsou potrubí, radiátory, sporáky a chladničky. Uzemnění těla zvyšuje riziko zásahu elektrickým proudem.



VÝSTRAHA! Dotyk s částmi pod napětím může způsobit úmrtí vlivem zásahu elektrickým proudem nebo popálení.

- Nepřemisťujte nářadí tahem za kabel.
- Nepřetěžujte kabel. Chraňte jej před horkem, olejem, ostrými předměty a pohyblivými díly.
- Kabely vždy vedte bezpečně.
- Elektrické nářadí nepoužívejte v blízkosti hořlavých kapalin nebo plynů.
- Před přemístěním přístroje vždy odpojte od elektrické sítě.



VÝSTRAHA! Před odpojením zásuvky, kabelu nebo prodlužovacího kabelu musí být přístroj vždy odpojen od napájení vytažením zástrčky ze zásuvky na stěně.

- Přístroj nesmí nikdy přejít vlastní nebo prodlužování kabel. Při práci musíte vždy vědět, kde se nachází kabely.
- Pokud je nutno kabel vyměnit, nedělejte to sami; svěťte to autorizovanému servisu.
- V zájmu předcházení poškození je nutno, aby napájecí kabel vyměnil výrobce, jeho servis nebo podobná kvalifikovaná osoba.
- Pokud je kabel poškozen, nařiznut nebo přefříznut, nářadí okamžitě odpojte od napájení.



POZOR! NEBEZPEČÍ ZÁSAHU ELEKTRICKÝM POUDEM!

Plánujte pracovní prostředí. Elektrické nářadí chraňte před deštěm. Nepoužívejte elektrické nářadí



Návod k použití

ve vlhku a mokru. Pracoviště musí být dobře osvětlené a suché. Snažte se zabránit namočení nářadím a působení vlhkosti. Nenechávejte nářadí venku přes noc. Voda v nářadí zvyšuje riziko zásahu elektrickým proudem.

- Napájecí kabel pravidelně kontrolujte a před použitím ověřte, že není poškozený ani opotřebený. Pokud kabel není v dobrém stavu, nářadí nepoužívejte a předejte je autorizovanému servisu.
- Při použití nářadí venku s prodlužovacím kabelem se ujistěte, že jde o kabel vhodný do exteriéru a takto označený. Kabel vedte mimo pracoviště, mimo vlhká nebo zaolejovaná místa, mimo dosah horka a hořlavých materiálů.
- Zabraňte nechtěnému spuštění: před zapojením zástrčky napájecího kabelu do zásuvky zkontrolujte, zda je vypínač (pokud je instalován) v poloze Off (Vyp).
- Před zapnutím nářadí odstraňte nastavovací klíče apod.
- Nepoužívejte nářadí, pokud se po zapnutí vypínačem nerozběhne nebo po vypnutí nezastaví. Nářadí, které nelze ovládat vypínačem, je nebezpečné a musí se opravit.



VAROVÁNÍ! Během práce s některými elektrickým nářadím může vznikat prach obsahující chemikálie, které mohou způsobit rakovinu.

Příklady: prach z broušení barev na bázi olova, silikáty z cihel, betonu a jiných stavebních materiálů, arzen a chrom z chemicky napuštěného dřeva a další nebezpečné látky. V přítomnosti prachu závisí vaše ohrožení na tom, jak často tuto práci provádíte.

V zájmu omezení expozice těmto chemikáliím provádějte práce, při kterých vzniká prach, na dobře větraném místě a používejte schválené ochranné pomůcky, jako jsou respirátory zvláště navržené na odfiltrování mikroskopických částic.

- Pokud nářadí narazí do cizího předmětu, zkontrolujte, zda se nepoškodilo, a před dalším používáním zajistěte potřebné opravy.
- Pokud nářadí začne neobvykle vibrovat, okamžitě je vypněte a zjistěte příčinu. Vibrace upozorňují na problém.
- Přístroj vždy vypněte a vyčkejte, než se úplně zastaví, než jej opustíte, začnete provádět údržbu, měnit příslušenství, provádět kontrolu, čištění, odstraňování problémů nebo jinou práci.
- Je zakázáno přemísťovat a upravovat vnitřní součásti přístroje.

Konkrétní bezpečnostní pravidla

- Při práci s tímto nářadím vždy noste ochrannou (bezpečnostní) přilbu, ochranné brýle nebo jinou ochranu očí (běžné nebo sluneční brýle NEJSOU bezpečnostní). Tato ochrana odchýlí štěpiny materiálu, které by mohly ohrozit vaše oči a obličej.
- Některé materiály obsahují jedovaté chemikálie a vznikající prach nebo plyny mohou dráždit dýchací cesty. Zabraňte vdechování a zasažení pokožky. Pracujte v respirátoru a silných ochranných rukavicích.
- Pracujte v silných antibračnicích rukavicích a omezte dobu působení tím, že budete často odpočívat. Vibrace vytvářené kladivem mohou poškodit ruce a paže.
- Při práci s nářadím používejte ochranu sluchu. Dlouhodobé působení intenzivního hluku může vést ke ztrátě sluchu.
- Při použití nářadí ve výškách zajistěte, aby pod vámi nikdo nebyl. Nikdo se nesmí přibližovat k vašemu pracovišti.
- Nikdy nářadím na nikoho nemířte. Sekáč může vylétnout a způsobit těžké zranění.
- Před použitím zkontrolujte, zda je sekáč dobře upevněn.
- Nářadí při běžném provozu vytváří vibrace. Snadno může dojít k uvolnění šroubů, poruše a neohodě. Před použitím pečlivě zkontrolujte dotažení šroubů.
- V chladu nebo po delší době nepoužívání nářadí nechte zpočátku nářadí zahřát chodem naprázdno. Tím se změkčí mazací tuk. Bez zahřátí nemusí správně fungovat příklep.
- Nářadí pevně držte oběma rukama.
- Používejte pomocnou rukojeť dodávanou s nářadím. V zájmu dokonalé kontroly nad nářadím je vždy držte za obě rukojeti. Nepokoušejte se nářadí držet jen jednou rukou. Za chodu vznikají silné rázy a při držení jednou rukou můžete nad nářadím ztratit kontrolu. Ztráta kontroly může vést k poranění.
- Vždy, když v nástroj mohl narazit na skryté elektrické vedení nebo vlastní napájecí kabel, držte nářadí za izolované rukojeti. Při nárazu na kabel pod napětím hrozí, že se kovové součásti nářadí také dostanou pod napětí a mohou pak způsobit zásah elektrickým proudem.
- Vždy musíte mít pevnou oporu nohou.
- Stůjte tak, aby nehrozilo sevržení těla mezi nářadím a stěnou nebo sloupem. Při zaseknutí nebo odrazení sekáče hrozí rozdrčení ruky nebo nohy pohybem nářadí.
- Nevrtajte do stávajících stěn nebo jiných míst, kde mohou být skryta elektrická vedení, nesekejte do nich a nic k nim neupevňujte. Pokud se takové práci nelze vyhnout, předem vytáhněte pojistky nebo vypněte jističe všech přívodů elektřiny na pracoviště.
- Pomocí detektoru kovů zjistěte, zda na místě práce nejsou skryty vodovodní nebo plynové trubky, případně konzultujte s provozovatelem těchto rozvodů. Proražení



plynového potrubí nebo jeho nařiznutí způsobí výbuch. Při vniknutí vody do elektrického zařízení hrozí úraz elektrickým proudem.

- Nepoužívejte tupé a poškozené sekáče a příslušenství. Poškozené a tupé sekáče mají sklon k zaseknutí v materiálu, do něhož vnikají.
- Nepřiblížujte ruce k pohyblivým součástem.
- Nenechávejte nářadí běžet naprázdno. Zapínejte jej pouze, když jej držíte v ruce.
- Neodkládejte nářadí, dokud se motor úplně nezastaví.
- Nedotýkejte se sekáče a jeho okolí těsně po použití, nářadí může být horké a popálit vás.
- Při vyjímání sekáče z nářadí na něj nesahejte holými rukama, používejte vhodné ochranné rukavice. Po dlouhém zapnutí může být nářadí horké.

HYBALENÍ

Při vybalení zkontrolujte, zda jste obdrželi všechny součásti. Viz obrázky v návodu. Pokud cokoli chybí nebo je rozbité, kontaktujte středisko pomoci IVT.

UVEDENÍ DO PROVOZU

Zajistěte správné napájecí napětí; musí vyhovovat údajům na typovém štítku nářadí.

POMOCNÁ RUKOJEŤ (3)



VAROVÁNÍ! Před seřizováním nářadí vždy vytáhněte napájecí kabel ze zásuvky.

Upevnění pomocné rukojeti (3)

Z bezpečnostních důvodů používejte bourací kladivo vždy s pomocnou rukojetí (3). Pomocná rukojeť (3) zvyšuje stabilitu demoličního kladiva.

Pomocnou rukojeť (3) lze otáčet do libovolné polohy:

1. Povolte šroub pomocné rukojeti (4) [F1].
2. Otočte pomocnou rukojeť (3) do polohy, která vám nejlépe vyhovuje.
3. Znovu dotáhněte šroub (4).

VÝMĚNA SEKÁČŮ

Vložení sekáče [F2]

1. Před vložením sekáč očistěte a na dřek naneste tenkou vrstvu mazacího tuku.
2. Vytáhněte pojistný šroub (5) co nejdále, otočte jej o 180° a pak uvolněte.
3. Zasuňte sekáč do sklíčidla (6) a zasuňte až na doraz.

4. Znovu vytáhněte pojistný šroub (5), otočte jej o 180° na opačnou stranu a pak uvolněte.
5. Zatažením za sekáč zkontrolujte, zda drží.

Vyjmutí sekáče

- Sekáč vyjměte opakovaním postupu v opačném pořadí.

ZAPNUTÍ / VYPNUTÍ [F3]

Před zapnutím nářadí zkontrolujte detektorem místo, kam budete vrtat, zda zde nejsou elektrické kabely, plynové a vodní trubky.



VAROVÁNÍ! V zájmu bezpečí je nutno nářadí vždy držet za hlavní (1) i pomocnou rukojeť (3). Jinak hrozí zásah elektrickým proudem při naseknutí kabelu.

Zapnutí

Stiskněte vypínač (2).

Vypnutí

Uvolněte vypínač (2).

PRAKTICKÉ TIPY



POZOR! K vysekávání stačí mírný tlak. Nadměrný tlak na sekáč způsobí přetížení motoru.

Ostření sekáčů

Dobrých výsledků dosáhnete pouze s ostrými sekáči. Proto je nutno sekáče včas ostřit, aby dávaly dobré výsledky a dlouho vám vydržely.

Sekáče pravidelně kontrolujte. Tupé sekáče naostřete nebo vyměňte.

ÚDRŽBA A SKLADOVÁNÍ



VÝSTRAHA! Před zahájením práce na zařízení vytáhněte zástrčku elektrického kabelu ze zásuvky.

- Nářadí a ventilační otvory (pokud jsou použity) udržujte v čistotě. Pravidelné čištění a údržba přístroje zvyšují jeho účinnost a prodlouží životnost.
- Pokud nářadí i přes přísné kontroly a testování ve výrobě selže, svěťte je do opravy autorizovanému servisu IVT.

Návod k použití

- Všechny matice a šrouby musí být utažené, nářadí musí být v bezpečném stavu.
- Poškozené nebo opotřebené součásti v zájmu bezpečnosti vyměňujte.
- Používejte pouze originální náhradní díly. Díly jiných výrobců nemusí správně sedět a mohou vést k poranění.
- Nářadí skladujte v suchu, mimo dosah dětí a hořlavých materiálů.
- Nářadí chraňte před vlhkem, nestříkejte na něj vodu!

Kontrola hladiny oleje

Před použitím nářadí zkontrolujte hladinu oleje:

- Opřete nářadí o zem, sklíčidlem (6) dolů. Olej musí sahat nejméně 3 mm nad dolní okraj kontrolního okénka (7).

Výměna oleje [F4]

Olej je nutno měnit po přibližně 40 - 50 hodinách používání.

1. Vypněte nářadí a vytáhněte napájecí kabel ze zásuvky.
2. Povolte šroub se 6hrannou hlavou u kontrolního okénka (7) pomocí 6hranného klíče (8) a poté vypustěte olej. Aby se zabránilo nekontrolovanému vytékání oleje, přidrže pod otvorem malý plechový trychtýř a zachyťte do vhodné nádoby vše, co vyteče.

Použitý olej je nutno odevzdat na určeném sběrném místě.

3. Nalijte nový olej do plnicího otvoru oleje (7), až bude hladina ve správné výšce.
4. Znovu dotáhněte kontrolní šroub u okénka (7).
5. Po krátkém zapnutí nářadí přezkontrolujte hladinu oleje.

OCHRANA ŽIVOTNÍHO PROSTŘEDÍ



Recyklujte suroviny, nevyhazujte je do odpadu.

Nářadí, příslušenství i obaly vytríděte k ekologické recyklaci.

Plastové díly jsou označeny, aby je bylo možno recyklovat. Tyto pokyny jsou vtištěny na bezchlorovém recyklovaném papíru.



POZOR! NEPOKOUŠEJTE SE SAMI OPRAVOVAT PRODUKT ANI MANIPULOVAT S NÍM! Jakákoliv oprava nebo mimořádná údržba musí být prováděna pouze kvalifikovaným a autorizovaným servisním střediskem IVT. Nesnažte se změnit jakoukoliv vnitřní část produktu! TÍM SE KOMPLETNĚ ZRUŠÍ ZÁRUKA A MŮŽE TO ZPŮSOBIT VÁŽNÉ ZRANĚNÍ A POŠKOZENÍ.

ХАРАКТЕРИСТИКА НА ИНСТРУМЕНТА

Модел	DBRK-1500
Напрежение ~ Честота на тока [В ~ Гц]	230 ~ 50
Номинална мощност [Вт]	1500
Номинална честота на ударите [удара в минута]	1900
Енергия на удара [Дж]	45
Ниво на вибрации [м/сек. ²]	18.575 (K=1.5)
Ниво на звуково налягане [в децибел А]	92.87 (K=3)
Ниво на звукова мощност [в децибел А]	105.00 (K=3)
Тегло [кг]	14
Клас на безопасност	II

СПИСЪК НА ДЕТАЙЛИТЕ

1. Дръжка
2. Превключвател ВКЛ. - ИЗКЛ.
3. Помощна дръжка
4. Винт на помощната дръжка
5. Стопорен болт
6. Патрон
7. Визьор за нивото на масло/изливен отвор
8. Шестостенен глух ключ

СЪДЪРЖАНИЕ НА КУТИЯТА

Ръководство за работа (1 бр.), Пирамидално длето (1 бр.), плоско длето (1 бр.), допълнителна ръкохватка (1 бр.), шестостенен глух ключ (1 бр.), въглени четки (1 набор).

ПРЕДНАЗНАЧЕНИЕ

Този модел електрически къртачен чук е предназначен за разрушаване на обекти и къртене с избрано длето при тежък режим на работа.

ТЕХНИКА НА БЕЗОПАСНОСТ ПРИ РАБОТА

Общи правила за безопасност

Следващите инструкции за техника на безопасност имат за цел да помогнат на потребителя правилно да използва устройството и да гарантира собствената си безопасност, поради което трябва да бъдат внимателно прочетени.

В случай, че машината бъде предадена за ползване от трето лице, това трябва да стане заедно с тези инструкции за безопасна работа.

Запазете тази инструкция, както и всички други ръководства и обяснения за експлоатация, които

влизат в комплекта на доставката.

Спазвайте техниката на безопасност при работа и предупрежденията върху инструмента.

Преди употреба се запознайте с устройствата за управление и правилата за работа с инструмента, разберете, как трябва да бъде спряна уреда в случай на авария.

Спазването на тези лесни инструкции ще даде възможност да поддържате инструмента в добро работно състояние.

- Преди да използвате инструмента трябва да бъдат събрани.

- Използвайте инструмента само по предназначение.

- Запознайте се с предупреждаващите надписи върху инструмента, следвайте инструкциите за използване на предпазните средства. За предотвратяването на инциденти е необходим внимателен, разумен подход към работата и съответна подготовка на лицата, които участват в експлоатацията, транспорта, поддръжката и съхраняването на инструмента.

- Не оставяйте инструмента без наблюдение.

- Не позволявайте на деца да използват или да си играят с инструмента.

- Не позволявайте близо до работещия инструмент да се намират деца и животни. Страничните лица трябва да се намират на безопасно разстояние от работещия инструмент.

- При работа с инструмента ползвателят носи отговорност за трети лица.

- Не се разрешава с инструмента да работят лица, незапознати с инструкциите за работа, деца, непълнолетни, ненавършили възраст за работа с инструмента, а също така лица, които са в състояние на алкохолно или наркотично опиянение, или се намират под въздействието на лекарства. Възрастта на оператора се определя от местните нормативни актове.



ВНИМАТЕЛНО! При употреба на алкохол, приемане на някои лекарства и наркотични вещества, а също така при състояния на отпадналост, температура и умора скоростта на реакция намалява. Не използвайте електроинструменти в такива случаи.

- Убедете се, че всички защитни приспособления (ако има такива) са сложени и са годни за експлоатация.
- Не използвайте инструмент с повредени защитни приспособления (ако има такива) или с липсващи такива.
- Огледайте инструмента, за да се убедите, че няма лошо закрепени детайли (гайки, болтове, винтове и т.н.) или повреди. За да се осигури безопасна работа на уреда, периодично трябва да проверявате, добре ли са затегнати болтовете и гайките. Ако е необходимо, ремонтирайте ги или ги сменете, преди да използвате инструмента. В случай на използване на повреден уред могат да бъдат причинени сериозни травми на оператора или на странични лица.
- При работа използвайте съответното специално работно облекло. Широките дрехи, украшенията могат да бъдат захванати от движещите се части. Използвайте съответното работно облекло. Защитете краката и стъпалата си от хвърчащия боклук. Не работете боси или с отворени сандали. Дългата коса трябва да се връзва отзад.
- Поддържайте ръкохватките чисти и сухи.
- Използвайте съответните защитни приспособления. Използвайте предпазни ръкавици и очила. При работа с прахове или при изхвърляне на изгорели газове използвайте противопрахов респиратор. При необходимост сложете обувки, които не се плъзгат, каска и тапи за уши. Ако нивото на шума превишава 85 dB (A), задължително използвайте предпазни наушници.



ВНИМАТЕЛНО! Използвайте индивидуалните средства за защита! Защитните устройства и личните предпазни средства служат за защита на вашето здраве и здравето на близките ви хора и гарантират непрекъснатата работа на инструмента.

- Не включвайте инструмента, ако е обърнат или не е в работно положение

- По време на работа пазете устойчиво равновесие. Пазете постоянно равновесие.
- Преди работа с инструмента почистете работната площадка от всички странични предмети, старайте се да избягвате попадането под косачката на странични предмети по време на работа. Поддържайте чистотата на работното място. Там, където цари безпорядък, има голяма опасност от получаване на травми.
- Не претоварвайте инструмента. Инструментът ще работи по-ефективно и безопасно при натоварване, за което е проектиран.
- Използвайте инструмента само при дневна светлина и при добро изкуствено осветление. Не използвайте инструмента при лоша видимост.
- Внимавайте да не изпуснете инструмента, пазете го от сблъскване с прегради.

ВНИМАТЕЛНО! Бъдете внимателни. Следете за хода на работата. Не се отвячайте, защото може да изгубите контрол. Подхождайте към работата разумно.

Правила за електробезопасност

ВНИМАНИЕ! Причиняване на травми или запалване при използването на електроинструменти трябва да се спазват дадените подолу инструкции за техника на безопасност. Прочетете ги, преди да започнете да използвате инструмента, и ги спазвайте стриктно.

- За да се повиши нивото на безопасност се препоръчва да се използва устройството за диференциална защита (УДЗ), разчетено за ток на изключване не повече от 30 mA. Проверявайте УДЗ преди всяко използване. Обърнете се към квалифициран електротехник.



ВНИМАНИЕ! Използването на УДЗ или на друг прекъсвач не освобождава оператора на косачката от задължението да се запознае с правилата за техника на безопасност и методите за безопасна работа, посочени в това ръководство.

- Напрежението на мрежата трябва да съответства на значението, посочено на табелката или етикета. Не използвайте други източници на захранване.
- Преди да включите инструмента към мрежата, убедете се, че контактът съответства на данните, посочени в табелката на инструмента.

· Избягвайте контакта със заземени повърхности (тръби, радиатори, хладилници). В случай на заземяване през тялото, рискът от токов удар се увеличава.



ВНИМАТЕЛНО! Докосването на наелектризираните части може да причини смърт от токов удар или изгаряне.

- Не дърпайте кабела, когато премествате инструмента.
- Внимавайте с кабела. Пазете го от въздействие на топлина, от контакти със смазочни материали, както и от остри предмети или движещи се части.
- Внимавайте с шнура.
- Не използвайте електрически инструменти в близост до леснозапалими течности и газове.
- Изключете уреда от мрежата, преди да го пренесете на друго място.



ВНИМАТЕЛНО! Приборът трябва първо да се изключи, а после да се прекъсне захранването чрез издърпване на щепсела от контакта или удължителя.

- Никога не минавайте с уреда върху удължителния кабел, докато инструментът работи. Дръжте винаги в полезрението си кабела.
- Не свързвайте сами удължителя направо към уреда, обърнете се към най-близкото отделение за електроснабдяване.
- При повреда на захранващия кабел, от гледна точка на безопасността, той трябва да бъде сменен от производителя или негов представител, или от аналогично квалифицирано лице.
- Незабавно извадете щекера от контакта, ако кабелът е повреден или разрязан.



ВНИМАНИЕ! ОПАСНОСТ ОТ ТОКОВ УДАР!

Отчитайте състоянието на околната работна среда. Не използвайте електрическите инструменти по време на дъжд. Не използвайте електрическите инструменти във влажни и мокри помещения. Поддържайте сухо работното място, осигурете добро осветление. Пазете инструмента от влага. Не го оставяйте на открито през нощта. При попадане на вода в електрическия инструмент се повишава рискът от токов удар.

· Редовно и всеки път преди използване проверявайте захранващия кабел за евентуални повреди или признаци на износване. Не използвайте инструмент с повреден кабел; обърнете се към официалния център за обслужване.

- При работа на открито използвайте само предназначения за тази цел удължител с съответна маркировка. Избягвайте попадането на кабела под инструмента, пазете го от влага, въздействие на топлина, от контакт със смазочни материали или леснозапалими вещества.
- Избягвайте случайното пускане на инструмента: преди да го включите в мрежата се уверете, че ключът (ако има такъв) е в положение 'off' (изключен).
- Преди да включите инструмента, отстранете регулиращите клинове и ключове.
- Не използвайте инструмент с повреден включвател. Инструмент с повреден ключ е опасен и трябва да бъде ремонтиран.



ВНИМАНИЕ! Понякога при работа с електроинструменти се образува прах, който съдържа химични вещества, предизвикващи рак.

Тези химични вещества включват: олово в състава на оловно белило, кварц, който е съставна част на тухлите и цимента, арсен и хром, съдържащи се в химическообработения дървен материал, и други вредни вещества. Рискът от въздействието на тези химични вещества зависи от честотата на извършване на свързаните с тях работи.

С цел да се намалят вредните ефекти от тях, работете в добре вентилирани помещения и използвайте одобрени предпазни средства, като например противопрашна маска, специално предназначена за филтриране на микроскопични частици.

- Ако инструментът се натъкне на страничен предмет, огледайте го добре за евентуални повреди и го ремонтирайте, ако е необходимо.
- При възникване на прекалено голяма вибрация спрете двигателя и веднага изяснете причината. Вибрацията обикновено е признак на повреда.
- Преди да напуснете работното място, да направите ремонт, оглед или почистване на инструмента, първо го изключете и изчакайте, докато не спре напълно.
- Забранено е свалянето или изменението на електрическите и механичните устройства за защита.



Специални правила за безопасност

- Преди работа с къртача винаги слагайте защитен шлем (предпазен шлем), предпазни очила или средство за защита на очите (обикновените очила или слънцезащитните очила НЕ СА средства за индивидуална защита). Те ще предпазят от парчета материал, които могат да изхвърчат към лицето и очите.
- Някои материали съдържат химически вещества, които могат да са токсични и да предизвикат проблеми с дишането заради прах или газ, които се образуват при раздробяването на материала. Трябва да внимавате и да предотвратявате вдишване на прах и попадането върху кожата. Слагайте прахова маска и дебели защитни ръкавици.
- Използвайте дебели амортизиращи ръкавици и ограничавайте времето на вредно въздействие на къртача с чести прекъсвания на работата. Вибрацията от работата на къртача може да увреди ръцете ви.
- Носете противобезшумни слушалки при работа с къртача. Продължителното въздействие на шум с висока интензивност може да доведе до загуба на слуха.
- При работа с къртача на височина, проверете дали има хора на участъка по-долу. Убедете се, че няма хора в опасна близост до зоната на работа.
- При работа не насочвайте къртача срещу хора, които се намират в зоната на работа. Длетото може да изхвърчи от къртача и да нарани сериозно човек.
- Преди работа се убедете, че длетото е надлежно закрепено в къртача.
- Къртачът е разчетен за вибрация при нормални условия на работа. Винтовете при вибрацията могат да се охладят и да предизвикат счупване на къртача или злополука. Преди работа прецизно проверете плътността на затягане на винтовете.
- Преди започване на работа в студено време или след продължително прекъсване трябва известно време да подгреете къртача, като го включите на празен ход. При това смазката на къртача се втечнява. Без достатъчно подгриване къртачът ще работи лошо.
- Дръжте къртача здраво с двете ръце.
- Използвайте помощната дръжка, която е в комплекта на къртача. За най-добро управление на къртача, винаги го дръжте за двете дръжки. Никога не се опитвайте да работите с къртача, като го държите за едната дръжка. При работа се създава мощна ударна сила, и може да изгубите управлението на къртача, ако се опитвате да го удържите с една ръка. Загубата на контрол върху къртача може да доведе до травми.
- Дръжте къртача за изолираните дръжки при извършване на работи, при които включеният къртач може да удари скрити силови кабели или събствения

силов кабел. При контакт с кабел под напрежение металните части на къртача могат също да се окажат под напрежение и да станат причина токов удар.

- Винаги проверявайте здравината на опората за крака.
- При работа заставайте по такъв начин, че да избегнете затискане между къртача и стени или колони. Ако при работа длетото се затисне, то обратният тласък може да раздоби ръката или крака на работника.
- Да не се пробиват или къртят с къртача съществуващи стени или други зони, които не могат да бъдат огледани и в които може да има електроинсталации. Ако все пак се налага извършването на такава работа, изключете всички предпазители и превключватели, които подават ток към участъка, където се извършват работите.
- Преди започване на работа, установете с помощта на металотърсач наличието на газови или водопроводни тръби, скрити в мястото на извършване на работата, или извикайте местната фирма, отговорна за инженерните комуникации. Удар на длетото или връзване в газова линия ще доведе до взрив. Попадане на вода в електрически инструмент може да предизвика токов удар.
- Не използвайте затъпени или повредени длета и приспособления. Затъпените или повредени длета е по-вероятно да бъдат затиснати в обекта на работа.
- Не приближавайте ръцете си до движещите се части на къртача.
- Не изпускайте от ръце работещия къртач. Работете само тогава, когато удържате къртача с ръце.
- Никога не оставяйте къртача на пода преди пълното спиране на мотора.
- Не докосвайте длетото или к детайли до него веднага след спиране на работа; те могат да са прекалено горещи и да изгорят кожата ви.
- При изваждане на длетото от къртача избягвайте контакт с кожата, а за захващане на длетото или приспособлението използвайте подходящи защитни ръкавици. След продължителна работа приспособленията могат да са силно нагreti.

РАЗОПАКОВАНЕ

При разопаковането проверете дали са доставени всички елементи. Запознайте се с чертежите към това ръководство. Ако има липсващи или повредени детайли, обърнете се към центъра за поддръжка на IVT.

НАЧАЛО НА РАБОТА

Стойността на захранващото напрежение трябва да отговаря на посоченото върху табелката с паспортните данни на инструмента.

ПОМОЩНА ДРЪЖКА (3)



ВНИМАНИЕ! Винаги изключвайте щепсела на къртача преди да го настройвате.

Закрепване на помощната дръжка (3)

С цел безопасност, винаги използвайте помощната дръжка (3) при работа с къртача. Помощната дръжка (3) позволява да постигнете по-голяма устойчивост при работа.

Помощната дръжка (3) може да се сложи във всякакво нужно положение:

1. Разхлабете винта на помощната дръжка (4) [F1].
2. Завъртете помощната дръжка (3) в най-удобно положение за работа.
3. Отново затегнете винт (4).

СМЯНА НА ДЛЕТОТО

Монтиране на длетото [F2]

1. Преди монтиране, забършете длетото и нанесете тънък слой гъста смазка върху стъблото на инструмента.
2. Развийте колкото може повече стопорния болт (5), завъртете го на 180° и го пуснете.
3. Сложете длетото в патрона (6) и го мушнете навътре колкото може по-дълбоко.
4. Отново развийте стопорния болт (5), завъртете го на 180° в противоположна посока и го пуснете.
5. Проверете сигурността на ключалката, като пробвате да издърпате длетото.

Изваждане на длетото

• За изваждане на длетото извършете гореописаните операции в обратен ред.

ВКЛЮЧВАНЕ / ИЗКЛЮЧВАНЕ [F3]

Преди включване на къртача установете с помощта на кабелотърсач/металотърсач наличието на силови кабели, а също и газови или водопроводни тръби, скрити в мястото на разрушаване на обекта.



ВНИМАНИЕ! За да се избегне опасност, къртачът трябва да се държи само за основната (1) и за помощната (3) дръжки. В противен случай, ако длетото удари в силов кабел, може да ви удари ток.

Включване

Натиснете и фиксирайте в натиснато положение превключвателя ВКЛ./ИЗКЛ. (2)

Изключване

Освободете превключвателя ВКЛ./ИЗКЛ. (2) от натиснатото положение.

ПОЛЕЗНА ИНФОРМАЦИЯ



ВНИМАНИЕ! За работа с длетото се изисква само незначителен натиск върху повърхността на обекта. Излишното контактно натискане на длетото ще доведе до ненужно претоварване на мотора.

Заточване на длетото

Добри резултати в работата може да се постигнат само, ако длетото е заточено. Затова трябва своевременно да заточвате длетото за ефективна и продължителна работа.

Редовно оглеждайте длетото. Заточвайте или сменяйте затъпения инструмент.

ПОДДРЪЖКА И СЪХРАНЕНИЕ



ВНИМАТЕЛНО! Преди да започнете работа с инструмента, извадете мрежовия щепсел.

- Поддържайте уреда и вентилационните отвори (ако има такива) чисти. Редовното почистване и техническо обслужване гарантират висока ефективност и продължителна експлоатация на инструмента.
- В случай на излизане на инструмента от строя, независимо от отличните условия на производство и тестване, ремонтът трябва да се извърши в официален сервизен център на IVT.
- Всички гайки, болтове и винтове трябва да бъдат добре затегнати.
- Сменете повредените или износени детайли.
- Използвайте само оригинални резервни части.



Части от трета страна монтаж свободно, и да увеличи риска от нараняване.

- Съхранявайте уреда на сухо, недостъпно за деца място, на безопасно разстояние от леснозапалими материали.
- Пазете инструмента от попадане на вода!

Поддръжка на устройството

Проверка на нивото на масло

Проверете нивото на масло преди използване на къртача:

- Сложете къртача на пода с патрона (6) надолу. Нивото на маслото трябва да бъде поне с 3 мм по-високо от долния край на визьора (7).

Смяна на смазочното масло [F4]

Маслото трябва да се сменя приблизително на всеки 40-50 часа работа.

1. Изключете къртача и издърпайте щепсела от контакта.
2. Развийте винта с шестостенна глава и визьора (7) с помощта на глух гаечен ключ (8) и излейте маслото. С цел избягване на неконтролируем разлив на масло трябва да държите под изливния отвор малък метален улей и да съберете в съд цялото масло, което изтича от отвора.

Внимание! Отработеното масло трябва да се изхвърли в съответния пункт за събиране на отработени масла.

3. Налейте ново масло през изливния отвор (7) до необходимото ниво.
4. Отново завъртете и затегнете винта с шестостенна глава и визьора (7).
5. След известно време на работа, повторно проверете нивото на маслото в устройството.

ОПАЗВАНЕ НА ОКОЛНАТА СРЕДА



Изпращайте суровините за рециклиране, а не ги изхвърляйте!

Инструментът, допълнителните приспособления и опаковката трябва да се изпращат за екологично безопасно рециклиране.

Пластмасовите елементи се изпращат за отделно рециклиране. Тези инструкции са напечатани на преработена хартия, която не съдържа хлор.

BG



ВНИМАНИЕ! НАПЪЛНО НЕДОПУСТИМО Е САМОСТОЯТЕЛНО ДА СЕ ИЗВЪРШВА РЕМОТ НА ИЗДЕЛИЕТО, КАТО СЕ ОПИТВАТЕ ДА ПРИКРИЕТЕ СЛЕДИТЕ ОТ ТОВА! Само оторизиран IVT Сервиз-Център има право да извърши ремонт и разширено техническо обслужване. Внасянето на изменения във вътрешното устройство на изделиято е забранено! ТАКИВА ДЕЙСТВИЯ НЕ САМО СА ОСНОВАНИЕ ЗА ОТКАЗ ОТ ГАРАНЦИОННИ ЗАДЪЛЖЕНИЯ, НО МОГАТ ДА СТАНАТ ПРИЧИНА ЗА ПОВРЕДИ И СЕРИОЗНИ ТРАВМИ.

ŠPECIFIKÁCIA NÁRADIA

Model	DBRK-1500
Napätie ~ Kmitočet [V ~ Hz]	230 ~ 50
Menovitý príkon [W]	1500
Počet úderov [úder/min.]	1900
Úderová energia [J]	45
Hladina vibrácií [m/s ²]	18.575 (K=1.5)
Hladina akustického tlaku [dB(A)]	92.87 (K=3)
Hladina akustického výkonu [dB(A)]	105.00 (K=3)
Hmotnosť [kg]	14
Bezp. trieda	II

ZOZNAM DIELOV

1. Rukoväť
2. Vypínač
3. Pomocná rukoväť
4. Skrutka pomocnej rukoväti
5. Aretačná skrutka
6. Skľučovadlo
7. Kontrolné okienko / plniaci otvor oleja
8. Kľúč na šesťhranné maticea

OBSAH ŠKATULE

Návod na použitie (1 ks), okrúhly sekáč (1 ks), plochý sekáč (1 ks), dodato ná páka (1 ks), 6-hranný kľúč (1 ks), uhľíky/kefy (1 súprava).

PLÁNOVANÉ POUŽITIE

Tento model búracieho kladiva je určený na ťažké demolačné práce a vysekávanie pomocou vhodného sekáča.

BEZPEČNOSTNÉ PREDPISY PRE POUŽITIE

Všeobecné bezpečnostné pravidlá

Nasledujúce bezpečnostné pokyny vás majú oboznámiť so správnym použitím náradia a preto ich pozorne čítajte v záujme vlastnej bezpečnosti.

Pri odovzdaní náradia niekomu inému odovzdajte i tieto pokyny.

Návod na použitie a ďalšiu literatúru dodávanú s náradím uschovajte pre budúce nahliadnutie.

Rešpektujte všetky bezpečnostné informácie a varovania uvedené na náradí.

Zoznámte sa vopred s ovládacími prvkami a správnym použitím náradia a hlavne zistite, ako náradie v núdzi

správne vypnúť.

Dodržovaním týchto jednoduchých pokynov tiež udržíte náradie v dobrom stave.

- Náradie je nutné pred použitím správne zmontovať.
- Náradie používajte iba na účel, na ktorý je určené.
- Na náradí môžu byť nálepky a ďalšie bezpečnostné symboly, ktoré je nutné rešpektovať. Pri predchádzaní nehodám je dôležité, aby každý, kto používa, udržuje alebo skladuje toto náradie, dával pozor, používal zdravý rozum a bol príslušne vyškolený.
- Nenechávajte náradie bez dozoru.
- Nezverujte náradie deťom. Deti musia byť pod dohľadom, aby sa s náradím nehrali.
- Deti a domáce zvieratá udrzte v bezpečnej vzdialenosti. Pri použití náradia musia byť nezúčastnené osoby v bezpečnej vzdialenosti.
- Užívateľ náradia nesie zodpovednosť voči tretím stranám.
- Osoby nezoznámené s návodom na použitie, deti a mladiství, ktorí nedosiahli minimálny vek predpísaný na prácu s týmto náradím a tiež osoby pod vplyvom alkoholu, drog alebo liekov, nesmú s náradím pracovať. Minimálny vek obsluhy môžu určovať miestne predpisy.



VAROVANIE! Užívanie alkoholu, liekov a drog rovnako ako choroba, horúčka alebo únava nepriaznivo ovplyvnia vašu reakčnú schopnosť. Za takých okolností náradie nepoužívajte.

- Skontrolujte, či sú všetky ochranné prvky (pokiaľ sú inštalované) v dobrom stave.
- Nepoužívajte náradie s chybnými ochrannými prvkami alebo krytmi (pokiaľ sú inštalované) alebo bez nich.
- Skontrolujte náradie, či nechýbajú niektoré súčasti (napr. skrutky, matice atď.) a či nie je poškodené.



Pravidelne a často kontrolujte dotiahnutie skrutiek a matic (pokiaľ sú použité) a tiež to, či je náradie v dobrom stave. Pred použitím náradia vždy odstráňte všetky poruchy. Poškodené náradie môže spôsobiť vážne poranenie obsluhy alebo nezúčastnených osôb v okolí.

- Pri použití náradia noste vhodný odev. Nenoste voľný odev ani šperky, ktoré by náradie mohlo zachytiť. Noste vhodný pracovný odev. Odporúčame chrániť nohy a chodidlá pred odletujúcimi časticami. Nepracujte bosí ani v sandáloch. Dlhé vlasy stiahnite dozadu.

- Rukoväti a držadlá uchovávajte suché, čisté, bez mastnoty a oleja.

- Používajte ochranné pomôcky. Používajte bezpečnostné okuliare a rukavice. Pri práci v prašnom prostredí alebo v prítomnosti výfukových plynov noste respirátor. Podľa potreby i topánky s nekĺzavou podrážkou, prilbu a upchávky do uší. Ochrana sluchu je povinná, pokiaľ hluk prekračuje 85 dB(A).

citlivosťou do 30 mA. RCD je nutné pri každom použití skontrolovať. Obráťte sa na spoľahlivého elektrikára.



VAROVANIE! Použitie RCD alebo ističa nezbavuje obsluhu zodpovednosti za dodržiavanie bezpečnostných pokynov a bezpečných pracovných postupov uvedených v tomto návode.

- Sieťové napätie musí zodpovedať údajom na štítkoch na náradí a v tomto návode. Nepoužívajte iné napájanie.

- Pred zasunutím koncovky kábla do elektrickej zásuvky skontrolujte, či sú parametre napájacej siete zhodné s údajmi na typovom štítku prístroja.

- Vyhnite sa dotyku častí tela s uzemnenými povrchmi, ako sú potrubia, radiátory, sporáky a chladničky. Uzemnenie tela zvyšuje riziko zásahu elektrickým prúdom.



VAROVANIE! Používajte osobné ochranné pomôcky! Bezpečnostná výbava a ochranné pomôcky chránia vaše zdravie i zdravie osôb v okolí a prispievajú k bezproblémovému používaniu náradia.

- Nepoužívajte náradie v polohe hore nohami alebo pokiaľ nie je v poriadku.

- Uistite sa, že máte telo v stabilnej polohe. Neustále kontrolujte pevnosť opory a rovnováhu.

- Pracovisko udržiavte v čistote. Neporiadok prispieva k vzniku úrazov. Pred použitím náradia z pracoviska odstráňte voľne pohodené predmety a dávajte pozor na okolité predmety i počas práce.

- Náradie netlačte násilím do záberu.

- Pracujte pri prirodzenom svetle alebo kvalitnom umelom osvetlení. Nepoužívajte náradie, pokiaľ na prácu dobre nevidíte.

- Náradie chráňte pred pádmi a nárazmi do prekážok.

POZOR! Bud'te pozorní. Sústreďte sa na prácu. Nepozornosť môže znamenať stratu kontroly. Používajte zdravý rozum.

Elektrická bezpečnosť

POZOR! Pri použití elektrického náradia je nutné dodržiavať nasledujúce bezpečnostné pokyny na predchádzanie riziku zásahu elektrickým prúdom, poranenia a požiaru. Tieto pokyny pozorne čítajte pred použitím náradia a dodržujte ich.

- V záujme zvýšenia elektrickej bezpečnosti odporúčame ochranu pred zvodovým prúdom (RCD) s



VÝSTRAHA! Dotyk s časťami pod napätím môže spôsobiť úmrtie vplyvom zásahu elektrickým prúdom alebo popálenie.

- Nepremiestňujte náradie ľahom za kábel.

- Nepreťažujte kábel. Chráňte ho pred teplom, olejom, ostrými predmetmi a pohyblivými dielmi.

- Káble vždy vedte bezpečne.

- Elektrické náradie nepoužívajte v blízkosti horľavých kvapalín alebo plynov.

- Pred premiestnením prístroj vždy odpojte od elektrickej siete.



VÝSTRAHA! Pred odpojením zásuvky, kábla alebo predlžovacieho kábla musí byť prístroj vždy odpojený od napájania vytiahnutím zástrčky zo zásuvky na stene.

- Prístroj nesmie nikdy prejsť vlastný alebo predlžovací kábel. Pri práci musíte vždy vedieť, kde sa nachádzajú káble.

- Pokiaľ je nutné kábel vymeniť, nerobte to sami; zverte to autorizovanému servisu.

- V záujme predchádzania poškodeniu je nutné, aby napájací kábel vymenil výrobca, jeho servis alebo podobná kvalifikovaná osoba.

- Pokiaľ je kábel poškodený, narezaný alebo prerezaný, náradie okamžite odpojte od napájania.



POZOR! NEBEZPEČENSTVO ZÁSAHU ELEKTRICKÝM PRÚDOM!

Plánujte pracovné prostredie. Elektrické náradie chráňte pred dažďom. Nepoužívajte elektrické náradie vo vlhku a mokrosti. Pracovisko musí byť dobre osvetlené a suché. Snažte sa zabrániť namočeniu náradia a pôsobeniu vlhkosti. Nenechajte náradie vonku cez noc. Voda v náradí zvyší riziko zásahu elektrickým prúdom.

- Napájací kábel pravidelne kontrolujte a pred použitím overte, že nie je poškodený ani opotrebovaný. Pokiaľ kábel nie je v dobrom stave, náradie nepoužívajte a odovzdajte ho autorizovanému servisu.
- Pri použití náradia vonku s predlžovacím káblom sa uistite, že ide o kábel vhodný do exteriéru a takto označený. Kábel ved'te mimo pracoviska, mimo vlhkých alebo zaolejaných miest, mimo dosahu tepla a horľavých materiálov.
- Zabráňte nechcenému spusteniu: pred zapojením zástrčky napájacieho kábla do zásuvky skontrolujte, či je vypínač (pokiaľ je inštalovaný) v polohe Off (Vyp).
- Pred zapnutím náradia odstráňte nastavovacie kľúče a pod.
- Nepoužívajte náradie, pokiaľ sa po zapnutí vypínačom nerozbehne alebo po vypnutí nezastaví. Náradie, ktoré nie je možné ovládať vypínačom, je nebezpečné a musí sa opraviť.



VAROVANIE! Počas práce s niektorým elektrickým náradím môže vznikáť prach obsahujúci chemikálie, ktoré môžu spôsobiť rakovinu.

Príklady: prach z brúsenia farieb na báze olova, silikáty z tehál, betónu a iných stavebných materiálov, arzén a chróm z chemicky napusteného dreva a ďalšie nebezpečné látky. V prítomnosti prachu závisí vaše ohrozenie od toho, ako často túto prácu vykonávate.

V záujme obmedzenia expozície týmito chemikáliami vykonávajte prácu, pri ktorých vzniká prach, na dobre vetranom mieste a používajte schválené ochranné pomôcky, ako sú respirátory obzvlášť navrhnuté na odfiltrovanie mikroskopických častíc.

- Pokiaľ náradie narazí do cudzieho predmetu, skontrolujte, či sa nepoškodilo, a pred ďalším používaním zaistíte potrebné opravy.
- Pokiaľ náradie začne neobvykle vibrovať, okamžite ho vypnite a zistíte príčinu. Vibrácie upozorňujú na problém.
- Prístroj vždy vypnite a vyčkajte, až sa úplne zastaví skôr, než ho položíte, začnete vykonávať údržbu,

meniť príslušenstvo, vykonávať kontrolu, čistenie, odstraňovanie problémov alebo inú prácu.

- Je zakázané premiestňovať a upravovať vnútorné súčasti prístroja.

Konkrétne bezpečnostné pravidlá

- Pri práci s týmto náradím vždy noste ochrannú (bezpečnostnú) prilbu, ochranné okuliare alebo inú ochranu očí (bežné alebo slnečné okuliare NIE SÚ bezpečnostné). Táto ochrana odchytili štiepky materiálu, ktoré by mohli ohroziť vaše oči a tvár.
 - Niektoré materiály obsahujú jedovaté chemikálie a vznikajúci prach alebo plyny môžu dráždiť dýchacie cesty. Zabránite vdychovaniu a zasiahnutiu pokožky. Pracujte v respirátore a silných ochranných rukaviciach.
 - Pracujte v silných antivibračných rukaviciach a obmedzte čas pôsobenia tým, že budete často odpočívať. Vibrácie vytvárané kladivom môžu poškodiť ruky a paže.
 - Pri práci s náradím používajte ochranu sluchu. Dlhodobé pôsobenie intenzívneho hluku môže viesť k strate sluchu.
 - Pri použití náradia vo výškach zaistíte, aby pod vami nikto nebol. Nikto sa nesmie približovať k vášmu pracovisku.
 - Nikdy náradím na nikoho neierierte. Sekáč môže vyletieť a spôsobiť ťažké zranenie.
 - Pred použitím skontrolujte, či je sekáč dobre upevnený.
 - Náradie pri bežnej prevádzke vytvára vibrácie. Ľahko môže dôjsť k uvoľneniu skrutiek, poruche a nehode. Pred použitím starostlivo skontrolujte dotiahnutie skrutiek.
 - V chlade alebo po dlhšom čase nepoužívania náradia nechajte spočiatku náradie zahriať chodom naprázdno. Tým sa zmäkčí mazací tuk. Bez zahriatia nemusí správne fungovať príklep.
 - Náradie pevne držte oboma rukami.
 - Používajte pomocnú rukoväť dodávanú s náradím.
- V záujme dokonalej kontroly nad náradím ho vždy držte za obe rukoväti. Nepokúšajte sa náradie držať len jednou rukou. Za chodu vznikajú silné rázy a pri držaní jednou rukou môžete nad náradím stratiť kontrolu. Strata kontroly môže viesť k poraneniu.
- Vždy, keď by nástroj mohol naraziť na skryté elektrické vedenie alebo vlastný napájací kábel, držte náradie za izolované rukoväti. Pri náraze na kábel pod napätím hrozí, že sa kovové súčasti náradia tiež dostanú pod napätie a môžu potom spôsobiť zásah elektrickým prúdom.
 - Vždy musíte mať pevnú oporu nôh.
 - Stojte tak, aby nehrozilo zovretie tela medzi náradím a stenou alebo stĺpom. Pri zaseknutí alebo odrazení sekáča hrozí rozdrvenie ruky alebo nohy pohybom náradia.



- Nevrtajte do existujúcich stien alebo iných miest, kde môžu byť skryté elektrické vedenia, nesekejte do nich a nič k nim neupevňujte. Ak sa takejto práci nie je možné vyhnúť, vopred vyťahnite poistky alebo vypnite ističe všetkých prívodov elektriny na pracovisko.
- Pomocou detektora kovov zistíte, či na mieste práce nie sú skryté vodovodné alebo plynové rúrky, prípadne konzultujte s prevádzkovateľom týchto rozvodov. Prerazenie plynového potrubia alebo jeho narezanie spôsobí výbuch. Pri vniknutí vody do elektrického zariadenia hrozí úraz elektrickým prúdom.
- Nepoužívajte tupé a poškodené sekáče a príslušenstvo. Poškodené a tupé sekáče majú sklon k zaseknutiu v materiáli, do ktorého vnikajú.
- Nepribližujte ruky k pohyblivým súčastiam.
- Nenechávajte náradie bežať naprázdno. Zapínajte ho iba vtedy, keď ho držíte v ruke.
- Neodkladajte náradie, kým sa motor úplne nezastaví.
- Nedotýkajte sa sekáča a jeho okolia tesne po použití, náradie môže byť horúce a popáliť vás.
- Pri vyberaní sekáča z náradia naň nesiahajte holými rukami, používajte vhodné ochranné rukavice. Po dlhom zapnutí môže byť náradie horúce.

HYBALENIE

Pri vybalení skontrolujte, či ste dostali všetky súčasti. Pozrite obrázky v návode. Pokiaľ čokoľvek chýba alebo je rozbité, kontaktujte stredisko pomoci IVT.

UVEDENIE DO PREVÁDZKY

Zaistíte správne napájacie napätie; musí vyhovovať údajom na typovom štítku náradia.

POMOCNÁ RUKOVÄŤ (3)



VAROVANIE! Pred nastavovaním náradia vždy vyťahnite napájací kábel zo zásuvky.

Upevnenie pomocnej rukoväti (3)

Z bezpečnostných dôvodov používajte búracie kladivo vždy s pomocnou rukoväťou (3). Pomocná rukoväť (3) zvyšuje stabilitu demolačného kladiva.

Pomocnú rukoväť (3) je možné otáčať do ľubovoľnej polohy:

1. Povoľte skrutku pomocnej rukoväti (4) [F1].
2. Otočte pomocnú rukoväť (3) do polohy, ktorá vám najlepšie vyhovuje.
3. Znovu dotiahnite skrutku (4).

VÝMENA SEKÁČOV

Vloženie sekáča [F2]

1. Pred vložení sekáč očistite a na driek naneste tenkú vrstvu mazacieho tuku.
2. Vyťahnite poistnú skrutku (5) čo najďalej, otočte ju o 180° a potom uvoľnite.
3. Zasuňte sekáč do skľučovadla (6) a zasuňte až na doraz.
4. Znovu vyťahnite poistnú skrutku (5), otočte ju o 180° na opačnú stranu a potom uvoľnite.
5. Zatiahnutím za sekáč skontrolujte, či drží.

Vybratie sekáča

- Sekáč vyberte opakovaním postupu v opačnom poradí.

ZAPNUTIE / VYPNUTIE [F3]

Pred zapnutím náradia skontrolujte detektorom miesto, kam budete vŕtať, či tu nie sú elektrické káble, plynové a vodné rúrky.



VAROVANIE! V záujme bezpečnosti je nutné náradie vždy držať za hlavnú (1) aj pomocnú rukoväť (3). Inak hrozí zásah elektrickým prúdom pri naseknutí kábla.

Zapnutie

Stlačte vypínač (2)

Vypnutie

Uvoľnite vypínač (2).

PRAKTICKÉ TIPY



POZOR! Na vysekávanie stačí mierny tlak. Nadmerný tlak na sekáč spôsobí preťaženie motora.

Ostrenie sekáčov

Dobré výsledky dosiahnete iba s ostrými sekáčmi. Preto je nutné sekáče včas ostriť, aby dávali dobré výsledky a dlho vám vydržali.

Sekáče pravidelne kontrolujte. Tupé sekáče naostríte alebo vymeňte.

ÚDRŽBA A SKLADOVANIE



VÝSTRAHA! Pred začatím práce na zariadení vyťahnite zástrčku elektrického kábla zo zásuvky.

- Nástroje a ventilačné otvory (pokiaľ sú použité) udržiavajte v čistote. Pravidelné čistenie a údržba prístroja zvýši jeho účinnosť a predĺži životnosť.
- Pokiaľ nástroj i napriek prísny kontrolám a testovaniu vo výrobe zlyhá, zverte ho do opravy autorizovanému servisu IVT.
- Všetky matice a skrutky musia byť dotiahnuté, nástroj musí byť v bezpečnom stave.
- Poškodené alebo opotrebované súčasti v záujme bezpečnosti vymieňajte.
- Používajte iba originálne náhradné diely. Diely iných výrobcov nemusia správne sedieť a môžu viesť k poraneniu.
- Nástroj skladujte v suchu, mimo dosahu detí a horľavých materiálov.
- Nástroj chráňte pred vlhkom, nestriekajte naň vodu!

Kontrola hladiny oleja

Pred použitím nástroja skontrolujte hladinu oleja:

- Oprite nástroj o zem, skľučovadlom (6) dole. Olej musí siahať najmenej 3 mm nad dolný okraj kontrolného okienka (7).

Výmena oleja [F4]

Olej je nutné meniť po približne 40 – 50 hodinách používania.

1. Vypnite nástroj a vyťahnite napájací kábel zo zásuvky.
2. Povoľte skrutku so 6-hrannou hlavou pri kontrolnom okienku (7) pomocou 6-hranného kľúča (8) a potom vypustite olej. Aby sa zabránilo nekontrolovanému vytekaniu oleja, pridržte pod otvorom malý plechový lievik a zachyťte do vhodnej nádoby všetko, čo vytečie. **Použitý olej je nutné odovzdať na určenom zbernom mieste.**
3. Nalejte nový olej do plniaceho otvoru oleja (7), až bude hladina v správnej výške.
4. Znovu dotiahnite kontrolnú skrutku pri okienku (7).
5. Po krátkom zapnutí nástroja prekontrolujte hladinu oleja.

OCHRANA ŽIVOTNÉHO PROSTREDIA



Recyklujte suroviny, nevyhadzujte ich do odpadu.

Nástroje, príslušenstvo i obaly vytriedte na ekologickú recykláciu.

Plastové diely sú označené, aby ich bolo možné recyklovať. Tieto pokyny sú vytlačené na bezchlórovom recyklovanom papieri.



POZOR! NEPOKÚŠAJTE SA SAMI OPRAVOVAŤ PRODUKT ANI MANIPULOVAŤ S NÍM!
Akákoľvek oprava alebo neplánovaná údržba musí byť vykonávaná iba kvalifikovaným a autorizovaným servisným strediskom IVT. Nesnažte sa zmeniť akúkoľvek vnútornú časť produktu! TÝM SA KOMPLETNE ZRUŠÍ ZÁRUKA A MÔŽE TO SPÔSOBIŤ VÁŽNE ZRANENIE A POŠKODENIE.

CARACTERISTICA INSTRUMENTULUI

Model	DBRK-1500
Tensiune ~ Frecvența [V ~ Hz]	230 ~ 50
Putere nominală [W]	1500
Numărul de percuții [percuții per minut]	1900
Energia percuției [J]	45
Nivelul de vibrații [m/s ²]	18.575 (K=1.5)
Nivelul presiunii acustice [dB (A)]	92.87 (K=3)
Nivelul puterii sunetului [dB (A)]	105.00 (K=3)
Masa [kg]	14
Clasa de siguranță	II

LISTA PIESELOR

1. Mâner
2. Întrerupător On / Off
3. Mâner auxiliar
4. Șurubul mânerului auxiliar
5. Șurub de blocare
6. Mandrină
7. Fereastra de control / orificiu de scurgere a uleiului
8. Cheie de piulițe hexagonală

CONȚINUTUL CUTIEI

Instrucțiuni de exploatare (1 buc.), daltă piramidală (1 buc.), daltă plată (1 buc.), mâner auxiliar (1 buc.), cheie de piulițe hexagonală (1 buc.), perii de carbon (1 set).

DESTINAȚIA

Acest model de gicocan electric de abataj este destinat pentru lucrări grele de demolare și dăltuire folosind daltă corespunzătoare.

TEHNICA DE SECURITATE IN TIMPUL EXPLOATĂRII

Normele generale de securitate

Următoarele instrucțiuni ale tehnicii de securitate vă vor ajuta să utilizați instrumentul în mod corect și să vă asigurați propria securitate. De aceea acestea trebuie citite cu atenție.

În cazul transmiterii instrumentului se vor transmite și instrucțiunile tehnicii de securitate.

Păstrați aceste instrucțiuni și altă literatură, inclusă în setul de livrare.

Respectați regulile tehnicii de securitate și avertismentele cu privire la instrument.

Înainte de a utiliza instrumentul, familiarizați-vă cu

părțile de manipulare a acestuia, dar, mai întâi de toate, familiarizați-vă cu modalitățile de oprire urgentă.

Urmați aceste instrucțiuni simple pentru a menține instrumentul în stare bună.

- Înainte de utilizare, instrumentul trebuie să fie asamblat corect.

- Folosiți instrumentul doar în scopurile prevăzute.

- Pe lângă aceasta, instrumentul poate avea etichete de avertizare și instrucțiuni de utilizare a dispozitivelor de siguranță care ar trebui să fie luate în considerație. Atenția, abordarea rezonabilă a lucrului și pregătirea persoanelor, implicate în exploatarea, transportarea, întreținerea și păstrarea instrumentului vor preveni accidentele.

- Nu lăsați instrumentul fără supraveghere.

- Nu lăsați instrumentul la îndemana copiilor. Nu permiteți copiilor să se joace cu instrumentul.

- Nu permiteți copiilor și animalelor să se afle în apropierea instrumentului. Persoanele străine trebuie să se afle la o distanță sigură de instrumentul în acțiune.

- În timpul lucrului cu instrumentul utilizatorul este responsabil pentru părțile terțe.

- Persoanelor, care nu sunt familiarizate cu instrucțiunile de utilizare, copiilor, minorilor care nu au atins vârsta, care permite utilizarea instrumentului, precum și persoanelor, care sunt în stare de ebrietate sau drogate sau sub influența medicamentelor, nu li se permite să lucreze cu instrumentul. Vârsta operatorului este stabilită în actele normative locale.



ATENȚIE! Alcoolul, anumite medicamente și droguri, precum și starea de boală, febra și oboseala reduc viteza reacției. Nu utilizați acest instrument în cazurile menționate mai sus.

- Asigurați-vă că toate dispozitivele de siguranță (dacă există) sunt instalate și sunt gata pentru exploatare.



- Nu folosiți instrumentul fără dispozitive de siguranță (dacă există) sau dacă acestea sunt deteriorate.
- Inspectați instrumentul pentru a afla dacă sunt piese nefixate (piulițe, bolțuri, șuruburi etc.) sau defecțiuni. Pentru a asigura funcționarea sigură a instrumentului, verificați periodic dacă șuruburile și bolțurile sunt bine înșurubate (dacă există). Dacă este necesar, înainte de a utiliza instrumentul, reparați-le sau înlocuiți-le. În cazul utilizării instrumentului deteriorat, operatorul sau persoana străină pot fi grav rănite.
- În decursul lucrului folosiți haine speciale. Imbrăcămintea largă, bijuteriile pot fi aninate de piesele aflate în mișcare. Imbrăcați haine speciale, protejați-vă picioarele și tălpile de molozul îndepărtat. Nu lucrați desculț sau în sandale deschise. Prindeți părul lung după spate.
- Păstrați mânerul și manivelele curate și uscate.
- Folosiți dispozitivele corespunzătoare de protecție. Purtați ochelari și mănuși de protecție. Când lucrați cu prafuri sau în cazul emisiilor de gaze, utilizați o mască de praf. Dacă este necesar, purtați încălțăminte care nu alunecă, o cască și antifoane. În cazul în care nivelul zgomotului depășește 85 dB (A), folosiți neapărat antifoane.



ATENȚIE! Utilizați mijloace de protecție individuală! Dispozitivele de protecție și MPI asigură protecția sănătății Dvs. și a celor care vă înconjoară, precum și asigură funcționarea neîntreruptă a instrumentului.

- Nu puneți în funcțiune instrumentul dacă acesta este răsturnat sau se află într-o poziție necorespunzătoare funcționării.
- În timpul funcționării păstrați poziția stabilă. Păstrați echilibrul constant.
- Păstrați curățenia în zona de lucru. În zonele aglomerate se observă un nivel ridicat de accidente. Înainte de a utiliza instrumentul, îndepărtați din zona de lucru toate obiectele străine și evitați nimerirea obiectelor străine sub instrument în timpul funcționării.
- Nu supraîncărcați instrumentul.
- Folosiți instrumentul doar la lumina zilei sau artificială puternică. Nu utilizați instrumentul în condiții precare de vizibilitate.
- Nu scăpați instrumentul, nu permiteți coliziunea acestuia cu orice obstacole.

ATENȚIE! Fiți atenți. Aveți grijă în timpul funcționării instrumentului. Dacă vă sustrageți atenția, puteți pierde controlul. Lucrați în mod rezonabil.

Instrucțiunile securității electrice

ATENȚIE! În scopul prevenirii pericolului de a primi șoc electric, vătămări corporale sau incendieri în timpul utilizării instrumentelor electrice este necesar să urmați următoarele instrucțiuni de siguranță. Înainte de a utiliza instrumentul, citiți cu atenție și respectați următoarele instrucțiuni.

- Pentru a spori nivelul de securitate, vă recomandăm să folosiți dispozitivul de protecție diferențială (DPD), destinat pentru oprirea curentului electric nu mai mult de 30 mA. Verificați DPD la fiecare utilizare. Consultați un electrician calificat.



ATENȚIE! Utilizarea DPD sau a altui întrerupător nu exonerează operatorul de la revizuirea obligatorie a regulilor tehnicii de securitate și metodelor de lucru sigur specificate în instrucțiunile date.

- Tensiunea rețelei trebuie să corespundă valorii specificate pe etichetă sau în instrucțiuni. Nu utilizați alte surse de energie.
- Înainte de conectarea instrumentului la rețea, asigurați-vă că priza corespunde datelor specificate pe etichetă.
- Evitați contactul cu suprafețele la pământ (țevi, radiatoare, baterii și frigider). În cazul prizei de pământ prin corp riscul de șoc electric este mai mare.



ATENȚIE! Pentru a preveni arsurile sau șocul electric, nu atingeți părțile conductoare.

- Nu trageți cablul de alimentare când deplasați instrumentul.
- Folosiți cablul de alimentare cu atenție. Protejați cablul de căldură, evitați contactul cu lubrifianți, precum și cu obiecte ascuțite sau părțile mobile.
- Fiți atenți cu cablul de alimentare.
- Nu folosiți instrumentele electrice în apropierea lichidelor și gazelor ușor inflamabile.
- Înainte de a deplasa instrumentul în alt loc, deconectați-l de la rețea.



ATENȚIE! Instrumentul trebuie mai întâi oprit, și apoi deconectat de la priza electrică sau prelungitor.



Instrucțiuni de exploatare

- Nu aninați prelungitorul în timpul operării instrumentului. Nu pierdeți cablul din vedere.
- Nu conectați de sine stătător prelungitorul direct la instrument. Contactați cel mai apropiat centru oficial de deservire.
- În caz de deteriorare a cablului de alimentare, pentru a evita riscul, el ar trebui să fie înlocuit de către producător sau de agentul său, sau o persoană calificată în mod similar.
- Scoateți imediat ștecherul din priză, în cazul în care cablul este deteriorat sau tăiat.



ATENȚIE! PERICOLUL DE AFECTARE CU ȘOCUL ELECTRIC!

Aveți grijă de mediul de lucru. Nu folosiți instrumentele electrice în timpul ploii. Nu folosiți instrumentele electrice în încăperile umede. Păstrați zona de lucru în stare uscată, asigurați iluminare bună. Protejați instrumentul de umiditate. Nu lăsați instrumentele în aer liber pe timp de noapte. În cazul nimeririi apei în instrumentul electric, crește riscul șocului electric.

- Verificați în mod regulat și de fiecare dată înainte de utilizare cablul de alimentare pentru a depista daune și semne de uzură. Nu folosiți instrumentul cu cablu deteriorat; apelați la centrala oficială de deservire.
- Când lucrați în aer liber, utilizați doar prelungitoarele destinate pentru acest scop cu etichetă corespunzătoare. Evitați nimerirea cablului sub instrument, nu-l expuneți umidității, căldurii, evitați contactul cu lubrifianți și substanțe ușor inflamabile.
- Evitați pornirea accidentală a instrumentului: înainte de a conecta instrumentul la rețea, asigurați-vă că întrerupătorul (dacă este cazul) este transferat în poziția 'off' (decon.).
- Înainte de a deconecta instrumentul, eliminați penele și cheile de instalare.
- Nu folosiți instrumentul cu întrerupător defectat. Instrumentul cu întrerupătorul defectat prezintă pericol și trebuie reparat.



ATENȚIE! Uneori, în timpul funcționării instrumentelor electrice se produce praf, care conține substanțe chimice care cauzează cancer.

Aceste substanțe chimice includ: plumb în compoziția vopselei de plumb, dioxid de siliciu, component al cărămizii și cimentului, arsenic și crom conținute în lemn prelucrat cu produse chimice și alte substanțe nocive. Riscul impactului acestor substanțe chimice depinde de frecvența activităților asociate cu acestea.

Pentru a reduce impactul lor nociv, lucrați într-o zonă bine aerisită și utilizați MPI aprobate, cum ar fi, măști de praf special elaborate pentru a filtra particulele microscopice.

- În cazul nimeririi sub instrument a unui obiect străin, inspecțiați-l dacă acesta prezintă daune și efectuați reparația necesară.
- În cazul vibrației excesive deconectați instrumentul și imediat aflați cauza. Vibrația este de obicei un semn al deteriorării instrumentului.
- Înainte de a pleca de la locul de muncă, efectuați reparația, inspecția sau curățarea instrumentului, opriți-l și așteptați oprirea lui completă.
- Nu îndepărtați sau schimbați piesele interne.

Regulile speciale ale tehnicii de securitate

- Înainte de utilizarea ciocanului purtați întotdeauna o cască de protecție (cască de siguranță), ochelari de protecție sau mijloace de protecție pentru ochi (ochelarii obișnuiți sau ochelarii de soare NU SUNT mijloace de protecție). Ele vor fi în măsură să devieze fragmentele de material care pot fi aruncate spre față și ochi.
- Unele materiale conțin substanțe chimice care pot fi toxice și cauza probleme respiratorii din cauza prafului generat sau gazelor eliberate la fragmentarea materialului. Fiți prudenți și evitați inhalarea prafului și nimerirea lui pe piele. Îmbrăcați masca antipraf și mănuși groase de protecție.
- Folosiți mănuși groase moi și limitați timpul de expunere, făcând întreruperi frecvente. Vibrațiile cauzate de acțiunea ciocanului pot fi dăunătoare pentru mâinile și brațele Dvs.
- Purtați căști antifon atunci când lucrați cu ciocanul. Expunerea prelungită la zgomot de intensitate mare poate cauza pierderea auzului.
- Când lucrați cu ciocanul la înălțime asigurați-vă că nu este nimeni sub Dvs. Asigurați-vă că în vecinătatea pericolosă a zonei de lucru nu sunt oameni.
- În timpul lucrului nu îndreptați unealta spre oamenii care sunt prezenți în zona de lucru. Dalta poate sări din ciocan și cauza răni serioase.
- Înainte de a începe lucrul asigurați-vă că dalta este fixată sigur în ciocan.
- În regim de funcționare normală ciocanul este proiectat pentru a produce vibrații. În timpul vibrației șuruburile pot slăbi cu ușurință și cauza defectarea ciocanului sau accidente. Verificați atent strângerea șuruburilor înainte de a începe lucrul.
- Pe vreme rece sau atunci când unealta nu a fost folosită pentru o perioadă lungă de timp este nevoie să încălziți ciocanul câteva timp, lăsându-l să funcționeze fără sarcină – aceasta va lichidifica unsoarea. Fără o încălzire suficientă funcționarea ciocanului va fi dificilă.
- Țineți bine ciocanul cu ambele mâini.



- Utilizați mânerul auxiliar furnizat împreună cu unealta. Pentru un control maxim al uneltei întotdeauna țineți-l de ambele mânere. Nu încercați niciodată să lucrați cu ciocanul, ținându-l cu o singură mână. Acesta dezvoltă o forță intensă de percuție, și dacă țineți ciocanul cu o mână puteți pierde controlul asupra uneltei. Pierderea controlului asupra ciocanului poate provoca leziuni.
- Țineți unealta de mânerul izolate atunci când efectuați lucrări în timpul cărora ciocanul ar putea lovi cablurile de alimentare ascunse sau propriul cablu de alimentare. Contactul cu un cablu sub tensiune poate pune sub tensiune părțile metalice ale ciocanului și cauza șoc electric.
- Întotdeauna asigurați-vă că stați într-o poziție sigură.
- În timpul lucrului stați în așa fel încât să evitați să fiți prins între ciocan și pereți sau stâlpi. Dacă în timpul lucrului dalta va fi strânsă sau blocată, reculul ciocanului vă poate zdrobi mâna sau piciorul.
- Nu perforați și nu dărâmați pereții existenți sau alte zone inaccesibile pentru inspecție unde pot fi cabluri electrice. Dacă totuși aceste lucrări sunt necesare, decuplați și deconectați toate siguranțele și întrerupătoarele de circuit, prin care se alimentează zona de lucru.
- Înainte de a începe lucrul verificați cu ajutorul unui detector de metale prezența conductelor de gaz sau apă ascunse în zona de lucru, sau apelați la compania locală, responsabilă pentru utilități. Lovirea cu dalta sau tăierea în conducta de gaz poate duce la explozie. Nimerirea apei în unealta electrică poate provoca electrocutare.
- Nu folosiți dălți și accesorii tocite sau deteriorate. Dălțile tocite sau deteriorate au o tendință mai mare de a fi prinse în piesa de lucru.
- Țineți mâinile la distanță de părțile în mișcare.
- Nu dați drumul ciocanului din mâini în timpul lucrului. Efectuați lucrul doar ținând ciocanul cu mâinile.
- Nu așezați niciodată unealta jos până când motorul a ajuns la o oprire completă.
- Nu atingeți imediat după lucru dalta sau părțile din apropierea dălții – ele pot fi extrem de fierbinți și ar putea provoca arsuri ale pielii.
- Când scoateți dalta din unealtă evitați contactul cu pielea și folosiți mănuși de protecție corespunzătoare atunci când vă ocupați de dalta sau accesoriu. Accesoriile pot deveni fierbinți după o utilizare prelungită.

DESPACHETAREA

În timpul despachetării produsului, verificați prezența tuturor elementelor. Vedeți imaginile acestui manual de exploatare. În cazul absenței sau defectării unor detalii, contactați centrul de deservire IVT.

INCEPEREA EXPLOATĂRII

Valoarea tensiunii de alimentare trebuie să corespundă datelor din pașaport ale instrumentului indicate în tabel.

MÂNERUL AUXILIAR (3)



ATENȚIE! Întotdeauna deconectați cablul de alimentare din priză înainte de a ajusta ciocanul.

Montarea mânerului auxiliar (3)

Din motive de siguranță întotdeauna utilizați mânerul auxiliar (3) când lucrați cu ciocanul de abataj. Mânerul auxiliar (3) permite de a obține o stabilitate mai bună în timpul lucrului.

Mânerul auxiliar (3) poate fi instalat în orice poziție necesară:

- Slăbiți șurubul mânerului auxiliar (4) [F1].
- Rotiți mânerul auxiliar (3) în poziția cea mai confortabilă pentru lucru.
- Strângeți din nou șurubul (4).

ÎNLOCUIREA DĂLȚII

Instalarea dălții [F2]

- Înainte de instalare ștergeți dalta și aplicați un strat subțire de unsoare pe arborele uneltei.
- Trageți șurubul de blocare (5) cât de departe posibil, rotiți-l cu 180° și dați-i drumul.
- Introduceți dalta în mandrină (6) și împingeți-l înăuntru pe cât posibil.
- Trageți din nou șurubul de blocare (5), rotiți-l cu 180° în partea opusă și lăsați-l în jos.
- Verificați blocarea, încercând să trageți dalta din ciocan.

Extragerea dălții

- To remove the chisel, proceed in reverse order.

PORNIRE / OPRIRE [F3]

Înainte de a porni ciocanul, verificați cu ajutorul unui detector de cablu/metale existența cablurilor de alimentare, precum și a conductelor de gaz sau apă, ascunse la locul lucrărilor de abataj.



ATENȚIE! Pentru a evita pericolul, ciocanul trebuie ținut numai de ambele mânerul – principal (1) și auxiliar (3). În caz contrar, la impactul ciocanului în cablu puteți suferi un șoc electric.

Pornire

Apăsați și fixați întrerupătorul ON/OFF (2)

Oprire

Eliberați întrerupătorul ON/OFF (2) din poziția apăsată.

INFORMAȚII UTILE



ATENȚIE! Pentru a lucra cu dalta este necesară doar o ușoară presiune de contact asupra suprafeței de lucru. Presiunea excesivă va duce la supraîncărcarea inutilă a motorului.

Ascuțirea dălții

Veți obține rezultate bune doar dacă folosiți dălți ascuțite, de aceea este necesar să ascuțiți la timp dălțile pentru un lucru eficient și pe termen lung.

Inspectați regulat dalta. Ascuțiți sau înlocuiți uneltele tocite.

INTREȚINEREA ȘI PĂSTRAREA



ATENȚIE! Înainte de a începe lucrul cu instrumentul, scoateți ștecherul de rețea.

• Intrețineți instrumentul și orificiile de ventilație (dacă există) în curățenie. Curățarea regulată și întreținerea asigură o eficiență ridicată și funcționarea mai îndelungată a instrumentului.

• În cazul defectării, în ciuda condițiilor perfecte de funcționare și testare, reparația trebuie efectuată în centrul oficial de deservire IVT.

• Toate piulițele, bolțurile și șuruburile ar trebui să fie stranse.

• Înlocuiți piesele deteriorate sau uzate.

• Folosiți doar piesele originale. Piesele fabricate de producător-parte terță, sunt montate slab și sporesc riscul de rănire.

• Păstrați instrumentele într-un loc uscat inaccesibil pentru copii, la o distanță sigură de materialele ușor inflamabile.

• Evitați nimerirea apei direct pe instrument!

Verificarea nivelului de ulei

Verificați nivelul de ulei înainte de a utiliza ciocanul:

• Așezați ciocanul pe podea cu mandrina (6) în jos. Nivelul uleiului trebuie să fie de cel puțin 3 mm deasupra marginii de jos a ferestrei de control (7).

Înlocuirea uleiului [F4]

Uleiul trebuie să fie schimbat după aproximativ 40-50 ore de lucru.

1. Opriți dispozitivul și scoateți ștecherul de alimentare din priză.

2. Scoateți șurubul cu cap hexagonal și fereastra de control (7) folosind cheia de piulițe hexagonală (8) și scurgeți uleiul. Pentru a preveni scurgerea necontrolată a uleiului țineți sun orificiul de scurgere un jgheab mic de metal și colectați uleiul într-un vas până când se va scurge complet.

Atenție! Uleiul uzat trebuie să fie utilizat la oficiul respectiv de colectare a uleiurilor uzate.

3. Se toarnă ulei proaspăt prin orificiul de scurgere (7) până la nivelul necesar.

4. Înșurubați și strângeți din nou șurubul cu cap hexagonal și fereastra de control (7).

5. După câțva timp în lucru verificați din nou nivelul de ulei în dispozitiv.

PROTECȚIA MEDIULUI ÎNCONJURĂTOR



Trimiteți materia primă la reciclare, și nu la gunoi!

Instrumentul, dispozitivele suplimentare și ambalajele trebuie trimise la reciclare ecologică sigură.

Articolele din material plastic sunt trimise la prelucrarea clasificată. Aceste instrucțiuni sunt tipărite pe hartie reciclată, care nu conține clor.



RO



ATENȚIE! NU ÎNCERCAȚI SĂ REPARAȚI PRODUSUL DE SINESTĂTĂTOR ȘI NU OPERAȚI MODIFICĂRI ÎN CONSTRUCȚIA ACESTUIA! Vă rugăm să referiți orice lucrări de reparații sau de deservire tehnică neprevăzută exclusiv personalului calificat și autorizat al Centrului de Deservire Tehnică IVT. Nu încercați să modificați oarecare piese interne ale acestui produs! ÎN ACEST CAZ GARANȚIA VA FI ANULATĂ COMPLET, FIIND POSIBILE TRAUME ȘI PAGUBE MATERIALE SERIOASE.

ĮRANKIO CHARAKTERISTIKOS

Modelis	DBRK-1500
Srovės įtampa ~ Dažnis [V ~ Gz]	230 ~ 50
Nominalus galingumas [W]	1500
Nominalus smūgių dažnis [smūgių per minutę]	1900
Smūgio energija [J]	45
Vibracijos lygis [m/s ²]	18.575 (K=1.5)
Garso slėgio lygis [decibelais A]	92.87 (K=3)
Garso galingumo lygis [decibelais A]	105.00 (K=3)
Svoris [kg]	14
Saugumo klasė	II

DETALIŲ SĄRAŠAS

1. Rankena
2. Perjungiklis [JUN. – IŠJUN.
3. Pagalbinė rankena
4. Pagalbinės rankenos sraigtas
5. Fiksavimo varžtas
6. Patronas
7. Alyvos lygio kontrolinis langelis / nuleidimo anga
8. Šešiakampis veržliaraktis

DĖŽES TURINYS

Naudojimo instrukcija (1 vnt.), Piramidinis kaltas (1 vnt.), plokščias kaltas (1 vnt.), papildoma rankena (1 vnt.), šešiakampis veržliaraktis (1 vnt.), angliniai šepėčiai (1 rinkinys).

NUMATYTAS NAUDOJIMAS

Šis skeliamojo kūjo modelis yra skirtas objektų griovimui ir kalimui atitinkamu kalnu esant sunkiems darbo režimams.

NAUDOJIMOSI SAUGA

Bendros saugos taisyklės

Toliau pateikiamos saugos instrukcijos padės jums teisingai naudotis įrankiu ir užtikrinti jūsų pačių saugumą. Dėl šių priežasčių jas reikia perskaityti išdėmiai.

Perduodami įrankį trečiajam asmeniui, perduokite jam ir šias saugos instrukcijas.

Saugokite šią instrukciją bei kitą, įeinančią į komplektą, literatūrą.

Vadovaukitės saugos taisyklėmis bei esančiais ant įrankio įspėjimais.

Prieš pradėdami darbą, susipažinkite su įrankio valdymo elementais, bet prieš tai susipažinkite su skubiais jo sustabdymo būdais.

Šių paprastų instrukcijų paisymas padės palaikyti jūsų įrankio darbingumą.

- Prieš naudojimą įrankį būtina teisingai surinkti.
- Įrankį naudokite tik pagal paskirtį.
- Be to, ant įrankio gali būti įspėjamieji įrašai ir nurodymai apsaugos priemonių naudojimui, su kuriais reikia susipažinti. Išvengti nelaimingų atsitikimų padės dėmesingumas, protingas požiūris į darbą bei atitinkama asmenų, naudojančių, transportuojančių, aptarnaujančių ir laikančių įrankį, kvalifikacija.
- Nepalikite įrankio be priežiūros.
- Neleiskite vaikams naudotis įrankiu. Neleiskite vaikams žaisti su įrankiu.
- Neleiskite vaikams ir gyvūnams būti šalia įrankio. Pašaliniai asmenys turi laikytis saugaus atstumo nuo veikiančio įrankio.
- Dirbdamas, naudojantis įrankį asmuo atsako už trečiuosius asmenis.
- Žmonės, kurie nėra susipažinę su naudojimo instrukcijomis, vaikai, nepilnamečiai, nepasiekę amžiaus, kai leidžiama naudotis įrankiu, o taip pat apsvaigę nuo alkoholio arba narkotinių ir medicininių preparatų asmenys negali naudotis įrankiu. Naudojotojo amžius nustatomas vietiniu normos aktu.



ATSARGIAI! Alkoholis, kai kurie vaistai ir narkotinės medžiagos, bloga savijauta, aukšta temperatūra ir nuovargis mažina reakcijos greitį. Nesinaudokite šiuo įrankiu aukščiau nurodytais atvejais.

- Įsitinkinkite, jos visos apsaugos priemonės (jei tokios yra) įrengtos ir tinkamos naudoti.
- Nenaudokite įrankio be apsaugos priemonių (jei tokios yra) arba jei jos pažeistos.
- Apžiūrėkite įrankį, kad nebūtų nepritvirtintų detalių (veržlių, varžtų, sraigčių ir t.t.) arba pažeidimų. Norėdami



užtikrinti saugų įrankio naudojimą, laikas nuo laiko patikrinkite, ar gerai užveržti varžtai ir sraigčiai (jeigu tokie yra). Esant reikalui, pataisykite arba pakeiskite juos prieš naudodami įrankį. Naudojant pažeistą įrankį, operatorius arba aplinkiniai gali patirti rimtas traumas.

- Dirbkite atitinkamai apsirengę. Laisvi rūbai, papuošalai gali būti įtraukti judančių įrankio dalių. Apsirenkite atitinkamus apsauginius rūbus. Apsaugokite kojas ir pėdas nuo skrendančių atliekų. Nedirbkite basi arba atvira avalyne. Susiriškite ilgus plaukus už nugaros.

- Palaikykite rankenų ir rankenėlių švarą ir sausumą.

- Naudokite atitinkamas apsaugos priemones. Naudokite apsauginius akinius ir pirštines. Darbu su milteliais arba susidarant išmetamosioms dujoms, naudokite respiratorių nuo dulkių. Esant būtinybei, apsiaukite neslystančią avalynę, užsidėkite apsauginį šalną ir įsidėkite ausų kištukus. Jeigu triukšmo lygis viršija 85 dB (A), būtina naudokite apsaugines ausines.

Įdėmiai perskaitykite ir griežtai laikykitės šių instrukcijų.

- Saugumo lygiui padidinti, naudokite diferencialinės apsaugos priemonę (RCD), skirtą elektros srovei iki 30mA. Kiekvieną kartą, naudodami įrankį tikrinkite RCD. Pasikonsultuokite su kvalifikuotu elektriку.



DĖMESIO! RCD arba kito nutraukėjo naudojimas neatleidžia operatoriaus nuo būtinos pažinties su saugumo technikos taisyklėmis ir saugaus darbo priemonėmis, nurodytomis šioje instrukcijoje.

- Įtampa tinkle turi atitikti nurodytą etiketėje arba instrukcijoje. Nenaudokite kitų maitinimo šaltinių.

- Prieš įjungdami įrankį į tinklą, įsitikinkite, kad lizdas atitinka reikšmes etiketėje.

- Venkite kontaktų su žemintais paviršiais (vamzdžiais, radiatoriais, baterijomis ir refrižeratoriais). Dėl žemimo didėja elektros smūgio per kūną rizika.



ATSARGIAI! Naudokite individualiosios apsaugos priemones! Apsaugos priemonės ir IAP užtikrina jūsų ir aplinkinių sveikatos apsaugą, o taip pat garantuoja nepertraukiamą įrankio darbą.

- Nepradėkite naudoti įrankio, jeigu jis yra apsuktas arba nedarbinėje padėtyje.

- Dirbdami, išlaikykite stabilų kūno padėtį. Pastoviai palaikykite pusiausvyrą.

- Palaikykite švarą darbo vietoje. Užgrūstose vietose yra aukštas traumų lygis. Prieš naudodami įrankį, pašalinkite iš darbo vietos teritorijos visus pašalinius daiktus, o taipogi stebėkite, jog pašaliniai daiktai nepakliūtų po įrankiu darbo metu.

- Neperkraukite įrankio.

- Naudokite įrankį tik esant dienos šviesai arba geram dirbtiniam apšvietimui. Nenaudokite įrankio esant blogam matomumui.

- Nenumeskite įrankio, neleiskite jam susidurti su kokiomis nors kliūtimis.

ATSARGIAI! Būkite dėmesingi. Stebėkite darbą. Atitūkę, nesuvaldysite įrankio. Žiūrėkite į darbą supratingai.

Elektros saugos taisyklės

DĖMESIO! Siekiant išvengti elektros smūgio, asmeninės žalos arba gaisro, elektrinio įrankio naudojimo metu būtina laikytis šių saugos instrukcijų. Prieš pradėdami darbą,



ATSARGIAI! Siekdami išvengti nudegimo arba elektros smūgio, nesiliaskite elektrai laidžių detalių.

- Kilnodami įrankį, netraukite už laido.

- Su laidu elkitės atsargiai. Saugokite laidą nuo šilumos poveikio, venkite jo kontakto su tepalinėmis medžiagomis, aštriais daiktais arba judančiomis dalimis.

- Būkite atsargūs su laidu.

- Nenaudokite elektros įrankių šalia lengvai užsidegančių medžiagų ir degių dujų.

- Prieš pernešdami įrankį kitur, išjunkite jį iš elektros tinklo.



ATSARGIAI! Įrankį būtina pirmiausia išjungti, o tik po to atjungti nuo elektros tinklo arba ilgintuvo.

- Neužspauskite ilgintuvo darbo metu. Stebėkite laidą.

- Nejunkite ilgintuvo tiesiogiai prie įrankio savarankiškai. Kreipkitės į artimiausią oficialų aptarnavimo centrą.

- Siekiant išvengti pavojaus, maitinimo laido pažeidimo atveju, jį turi pakeisti gamintojas arba jo atstovas, ar kitas kvalifikuotas specialistas.

- Nedelsiant ištraukite kištuką iš elektros maitinimo lizdo, jeigu laidas pažeistas arba perpjautas.



DĖMESIO! **ELEKTROS** **SMŪGIO**
PAVOJUS!

Stebėkite darbo aplinką. Nenaudokite elektros įrankių lyjant lietuvi. Nenaudokite elektros įrankių drėgnose patalpose. Palaikykite darbo vietą sausą, aprūpinkite gerą apšvietimą. Saugokite įrankį nuo drėgmės. Nepalikite įrankio lauke nakčiai. Vandens patekimas į elektros įrankį padidina elektros smūgio riziką.

- Reguliariai ir prieš kiekvieną panaudojimą patikrinkite, ar maitinimo laidas nėra pažeistas ir susidėvėjęs. Nenaudokite įrankio, jeigu laidas pažeistas; kreipkitės į oficialų aptarnavimo centrą.
- Dirbdami lauke naudokite tik tokiam darbui skirtus ilgutuvus su atitinkamomis žymėmis. Venkite laido patekimo po įrankio, saugokite jį nuo drėgmės, šilumos poveikio, venkite kontakto su tepalinėmis ir lengvai užsidegančiomis medžiagomis.
- Venkite atsitiktinio įrankio įsijungimo: prieš įjunkdami įrankį prie tinklo, įsitinkite, jog jungiklis (jeigu yra) nustatytas 'OFF' padėtyje (iš.).
- Prieš įjungdami įrankį, pašalinkite įrengimo tarpus ir raktus.
- Nenaudokite įrankio su netvarkingu jungikliu. Įrankis su netvarkingu jungikliu yra pavojingas ir reikalauja remonto.



DĖMESIO! Kartais, darbo elektriniais įrankiais metu, susidaro dulksės, kuriose yra sukeliančių vėžį cheminių medžiagų.

Prie tokių medžiagų priskiriami: švinas šviniųjų dažų sudėtyje, kvarcas plytose ir cemento, arsenas ir chromas cheminėmis medžiagomis apdorotoje pjautinėje medienoje, ir kitos kenksmingos medžiagos. Cheminių medžiagų poveikio rizika priklauso nuo susijusio su jomis darbo dažnumo.

Norėdami sumažinti jų kenksmingą poveikį, dirbkite gerai vėdinamose patalpose ir naudokite patvirtintas IAP, pavyzdžiui, respiratorius nuo dulkių, sukurtus specialiai mikroskopinių dalelių filtravimui.

- Pašalinio daikto patekimo po įrankio atveju apžiūrėkite, ar nėra pažeidimų ir atlikite būtiną remontą.
- Atsiradus perdėtai vibracijai, išjunkite įrankį ir nedelsiant išsiaiškinkite priežastį. Įprastai vibracija yra pažeidimo požymis.
- Prieš palikdami darbo vietą, atlikite įrankio remontą, apžiūrą arba valymą, išjunkite jį ir sulaukite visiško sustojimo.
- Draudžiama išimti arba keisti vidines įrankio dalis.

Ypatingos saugumo technikos taisyklės

- Prieš naudojant kūjį visada užsidėkite apsauginį skydelį, apsauginius akinius arba priemonę akių apsaugai (įprasti akiniai arba akiniai nuo saulės NĖRA asmeninės apsaugos priemonės). Jie atmuš medžiagos duženas, kuri gali patekti ant veido ir į akis.
- Kai kurių medžiagų sudėtyje gali būti toksinių cheminių medžiagų, dėl dulkių arba dujų, susidarančių medžiagos skaldimo metu, jie gali sukelti kvėpavimo problemas. Būkite atsargūs ir venkite dulkių įkvėpimo arba jų patekimo ant odos. Užsidėkite kaukę apsaugai nuo dulkių ir mūvėkite storas apsaugines kumštines pirštines.
- Mūvėkite storas amortizuojančias pirštines ir darykite dažnas pertraukas darbo metu nuodingo kūjo poveikio ribojimui. Skeliamojo kūjo darbo metu atsirandanti vibracija gali sužeisti jūsų rankas.
- Dirbant su kūju, užsidėkite ausines apsaugai nuo triukšmo. Ilgalais aukšto intensyvumo triukšmo poveikis gali sukelti klausos praradimą.
- Dirbant kūju aukštumoje, patikrinkite, ar apačioje nėra žmonių. Įsitinkite, kad arti pavojingos darbo zonos nėra žmonių.
- Dirbant nenukreipkite kūjo į žmonių, esančių darbo zonoje, pusę. Kaltas gali iššokti iš kūjo ir rimtai sužeisti žmogų.
- Prieš pradėdami dirbti įsitinkite, kad kaltas patikimai užfiksuotas kūjyje.
- Kūjis išlaiko vibraciją, esančią normaliose darbo sąlygose. Esant vibracijai varžtai gali atspalaiduoti ir sukelti kūjo gedimą arba nelaimingą atsitikimą. Prieš darbą kruopščiai patikrinkite ar tvirtai priveržti varžtai.
- Prieš pradėdami dirbti esant šaltam orui arba po ilgos pertraukos, būtina kurį laiką įšildyti kūjį, tam tikslui įjunkite jį neapkraudami. Šituo metu paskysta kūjo tepalas. Be pakankamo įšilimo kūjis veiks prastai.
- Tvirtai laikykite kūjį abiemis rankomis.
- Naudokite papildomą rankeną, kuri yra kūjo komplekte. Geresniam kūjo valdymui, visada laikykite jį už abi rankenas. Niekada nebandykite dirbti su kūju, laikydami jį už vienos rankenos. Darbo metu susidaro galinga smūginė jėga, galima nesuvaldyti kūjo, jei bandysite laikyti jį viena ranka. Kūjo valdymo kontrolės praradimas gali sukelti traumas.
- Laikykite kūjį už izoliuotų rankenų, atliekant darbus, kai yra pavojus, kad įjungtas kūjis gali smogti į paslėptus elektros kabelius arba į savąjį elektros laidą. Kontaktuojant su kabeliu esant apkrovimui, kūjo metalinės dalys irgi gali būti po įtampa ir sukelti sužalojimą elektros srove.
- Visada patikrinkite atramos kojoms saugumą.
- Darbo metu laikykitės taip, kad išvengtų užspaudimo tarp kūjo ir sienų arba stulpų. Jei darbo metu kūjį užspaus arba užgniauš, kūjo atatranka gali suskaldyti darbininko ranką arba koją.
- Nepramušinėkite ir nelaužkite kūju apžiūrai nepasiekiamų esamų sienų arba kitų zonų, kuriose



gali būti elektros laidai. Jei tokį darbą yra būtina atlikti, atjunkite saugikius arba jungiklius, per kuriuos tiekiamas elektros maitinimas į darbo atlikimo vietą.

- Prieš pradėdant dirbti išaiškinkite metalo detektoriaus pagalbą, ar darbų atlikimo vietoje nėra paslėptų dujų arba vandens tiekimo vamzdžių, arba iškvieskite vietinę organizaciją, atsakingą už inžinierines komunikacijas. Smūgis kalnu arba įplovimas į dujų liniją sukels sprogimą. Vandens patekimas į elektros įrangą sukels sužalojimą elektros srove.
- Nenaudokite atšipusių arba pažeistų kųjų ir įtaisų. Yra didesnė tikimybė, kad atšipusius arba pažeistus kalties užspaus darbo objekte.
- Nepriartinkite rankų prie judančių kūjo dalių.
- Nepaleiskite iš rankų veikiančio kūjo. Atlikite darbą tik laikydami kūjį abiemis rankomis.
- Niekada nedėkite kūjo ant grindų, kol variklis visiškai nesustos.
- Nelieskite kalto arba šalia jo esančių detalių iš karto po darbo, jie gali būti labai karšti ir nudeginti odą.
- Ištraukdami kaltą iš kūjo, venkite kontakto su oda, o kalto arba įtaisų paėmimui mūvėkite tinkamas apsaugines kumštines pirštines. Po ilgalaikio darbo įtaisai gali stipriai įšilti.

IŠPAKAVIMAS

Išpakavimo metu patikrinkite, ar visi elementai vietoje. Žiūr. brėžinius prie šio vadovo. Pritrūkę detalių ar esant gedimui, kreipkitės į IVT aptarnavimo centrą.

NAUDOJIMO PRADŽIA

Maitinimo įtampa turi atitikti įrankio paso lentelėje nurodytus duomenis.

PAGALBINĖ RANKENA (3)



DĖMESIO! Visada atjunkite kūjo maitinimo kištuką prieš reguliavimą.

Pagalbinės rankenos tvirtinimas (3)

Saugumo sumėtimais visada naudokite pagalbines rankenas (3) dirbant su skeliamuoju kūju. Pagalbinė rankena (3) suteikia didesnę stabilumą dirbant.

Pagalbinę rankeną (3) galima įtaisyti į bet kurį reikiamą padėtį:

1. Atpalaiduokite papildomos rankenos varžtą (4) [F1].
2. Pasukite papildomą rankeną (3) į darbiui patogiausią padėtį.
3. Vėl priveržkite varžtą (4).

KALTO PAKEITIMAS

Kalto įtaisyimas [F2]

1. Prieš įtaisymą nušluostykite kaltą ir patepkite įrankio strypą plonu sluoksniu tiršto tepalo.
2. Kaip įmanoma toliau atitraukite fiksavimo varžtą (5), pasukite jį 180° ir paleiskite.
3. Įtaisykite kaltą į patroną (6) ir prastumkite jį į vidų kaip įmano toliau.
4. Vėl atitraukite fiksavimo varžtą (5), pasukite jį 180° į priešingą pusę ir paleiskite.
5. Patikrinkite užrakto saugumą, bandydami ištraukti kaltą.

Kalto išėmimas

- Norint išimti kaltą, atlikite aukščiau išdėstytus veiksmus atbuline tvarka.

ĮJUNGIMAS / IŠJUNGIMAS [F3]

Prieš įjungiant kūjį, laidų/metalo detektorių pagalba patikrinkite, ar objekto griovimo vietoje nėra paslėptų elektros laidų, taip pat dujų arba vandens tiekimo vamzdžių.



DĖMESIO! Tam, kad išvengti pavojaus, laikykite kūjį tik už pagrindinės (1) ir pagalbines (3) rankenas. Priešingu atveju, smogiant kalnu į elektros kabelį, galima susižeisti elektros srove.

Įjungimas

Paspauskite ir užfiksokite paspaustoje padėtyje perjungiklį ĮJUN/IŠJUN (2)

Išjungimas

Atspauskite perjungiklį ĮJUN/IŠJUN (2) iš paspaustos padėties.

NAUDINGA INFORMACIJA



DĖMESIO! Dirbant kalnu reikia tik nespirti spausiti ant objekto paviršiaus. Per didelis kontaktinis kalto spaudimas sukels nereikalingą variklio perkrovą.

Kalto galandimas

Gerų darbo rezultatų galima pasiekti tik tuo atveju, jei kaltas gerai išgaląstas. Todėl yra būtina laiku galąsti kaltą jo efektyviam ir ilgalaikiam darbui. Reguliariai apžiūrėkite kaltą. Galąskite arba keiskite atšipusį įrankį.

APTARNAVIMAS IR LAIKYMAS



ATSARGIAI! Prieš pradėdami dirbti su įrankiu, išimkite tinklo kištuką.

- Palaikykite įrankio ir vedinimo angų (jeigu tokios yra) švarą. Reguliarus valymas ir priežiūra garantuoja aukštą efektyvumą ir ilgalaikę įrankio eksploataciją.
- Gedimo atveju, nepriklausomai nuo tobulų gamybos sąlygų ir bandymų, remontas turi būti atliekamas oficialiame IVT serviso centre.
- Visos veržlės, varžtai ir sraigčiai turi būti sandariai užveržti.
- Pakeiskite pažeistas arba susidėvėjusias detales.
- Naudokite tik originalias atsargines dalis. Kitų gamintojų pagamintos dalys priglunda nesandariai ir padidina traumų riziką.
- Saugokite įrankį sausoje vaikams nepasiekiamoje vietoje, saugiu atstumu nuo lengvai užsiliepsnojančių medžiagų.
- Venkite vandens ant įrankio patekimo!

Alyvos lygio patikrinimas

Patikrinkite alyvos lygį prieš naudojant kūjį:

- Padėkite kūjį ant grindų patronu (6) į apačią. Alyvos lygis turi būti kaip minimumas 3 mm aukščiau kontrolinio langelio (7) apatinio krašto.

Tepalinės alyvos pakeitimas [F4]

Alyvą reikia keisti apytiksliai kas 40-50 darbo valandas.

1. Išjunkite kūjį ir ištraukite jungiklio kištuką iš rozetės.
2. Veržliarakčio (8) pagalba išsukite varžtą su šešiakampe galvute ir kontroliniu langeliu (7) ir nupilkite alyvą. Tam, kad išvengti nekontroliuojamo alyvos išsiliejimo, po išleidimo anga laikykite nedidelį metalinį lataką ir surinkite į talpą visą ištekančią iš angos alyvą. **Dėmesio! Panaudotą alyvą būtina utilizuoti atitinkamame panaudotų alyvų surinkimo punkte.**
3. Užpilkite naują alyvą per nuleidimo angą (7) iki reikiamo lygio.
4. Vės įsukite ir suveržkite varžtą su šešiakampe galvute ir kontroliniu langeliu (7).
5. Po tam tikro darbo laiko pakartotinai patikrinkite alyvos lygį įrankyje.

APLINKOS APSAUGA



Perduokite žaliavą perdirbimui, o nemeskite į šiukšles!

Įrankį, papildomus įrenginius ir pakuotę reikia perduoti ekologiškai saugiam perdirbimui.

Plastikiniai elementai perduodami klasifikuotam perdirbimui. Šios instrukcijos atspausdintos ant antrinio popieriaus, kurio sudėtyje nėra chloro.



DĒMĒSIO! NELEIDŽIAMA SAVARANKIŠKAI REMONTUOTI GAMINĮ IR BANDYTI PASLĖPTI REMONTO PĖDSAKAS! Tik autorizuotas IVT Serviso Centras turi teisę atlikti remontą ir išplėstinį techninį aptarnavimą. Draudžiama keisti vidinę gaminio sąrangą! TOKIE VEIKSMAI YRA NE TIK PAGRINDAS ATSISAKYTI GARANTINIŲ ĮSIPAREIGIJIMŲ, BET GALI BŪTI SUSIŽEIDIMŲ IR RIMTŲ SUŽALOJIMŲ PRIEŽASTIMI.

INSTRUMENTA RAKSTURLĪKNE

Modelis	DBRK-1500
Strāvas spriegums ~ Frekvence [V ~ Hz]	230 ~ 50
Nominālā jauda [kW]	1500
Nominālais sitienu biežums [sitienu minūtē]	1900
Triecienu enerģija [J]	45
Vibrācijas līmenis [m/s ²]	18.575 (K=1.5)
Skaņas spiediena līmenis [A decibelos]	92.87 (K=3)
Skaņas jaudas līmenis [A decibelos]	105.00 (K=3)
Svars [kg]	14
Drošības klase	II

DAĻU SARAKSTS

1. Rokturis
2. Slēdzies IESLĒGTS. - IZSLĒGTS
3. Palīgrokturis
4. Palīgroktura skrūve
5. Sprotskrūve
6. Patrona
7. Eļļas līmeņa logs / noliekšanas atvere
8. Sešstūru gredzenveida atslēga

SATURS KASTĒ

Ekspluatācijas instrukcija (1 gab.), piramidālais kalns (1 gab.), plakana kalns (1 gab.), papildrokturis (1 gab.), sešstūru gredzenveida atslēga (1 gab.), ogļu sukuks (1 komplekts).

IECERĒTA IZLIETOŠANA

Dotais atskaldāmura modelis paredzēts objektu sagraušai un skaldīšanai ar izvēlētu kalnu pie smagiem darba režīmiem.

EKSPLUATĀCIJASDROŠĪBASTEHNIKA

Vispārīgie drošības noteikumi

Sekojošas drošības noteikumu instrukcijas palīdzēs jums pareizi lietot instrumentu un paaugstināt savu darba drošību. Tāpēc iesakām izlasīt to uzmanīgi.

Gadījumā, kad instruments tiek nodots trešajai personai, kopā ar to ir jānodod arī sekojošas drošības noteikumu instrukcijas.

Saglabājiet šo instrukciju un citu piegādes komplektā iekļauto literatūru.

Sekoiet drošības tehnikai un brīdinājumiem uz instrumenta.

Pirms darba uzsākšanas iepazīstieties ar instrumenta vadības ierīcēm, bet vispirms pārliecinieties, ka zināt,

kā to apturēt neparedzētā gadījumā.

Šo vienkāršo noteikumu ievērošana palīdzēs uzturēt jūsu instrumentu darbderīgā stāvoklī.

- Pirms lietošanas instruments ir pareizi jāsamontē.
- Lietojiet instrumentu tikai paredzētajam nolūkam.
- Turklāt uz instrumenta var būt brīdinājumi un aizsardzības piederumu lietošanas norādījumi, kas ir jāizpēta. Novērst negadījumus palīdzēs uzmanība, prātīga pieeja darbam un attiecīga instrumenta ekspluatācijā, transportēšanā, apkalpošanā un uzglabāšanā nodarbināto personu sagatavošana.
- Neatstājiet instrumentu bez uzraudzības.
- Nepieļaujiet instrumenta izmantošanu bērniem. Neļaujiet bērniem spēlēties ar instrumentu.

- Nestrādājiet ar instrumentu bērnu un dzīvnieku tuvumā. Nepiederošām personām jāatrodas drošā attālumā no iedarbinātā instrumenta.
- Strādājot ar instrumentu, lietotājs atbild par trešajām personām.

- Personas, kuras nav iepazīstinātas ar ekspluatācijas instrukcijām, bērni, nepilngadīgie, kuri vēl nav sasnieguši vecumu, atļaujošo darboties ar instrumentu, kā arī personas alkohola vai narkotisko vielu reibumā vai jebkādu medicīnisko preparātu ietekmē ar instrumentu strādāt nedrīkst. Operatora vecums tiek noteikts vietējos normatīvajos aktos.



UZMANĪGI! Alkohols, daži ārstnieciskie preparāti un narkotiskās vielas, ka arī slimības, drudzis vai nogurums pazemina reakcijas ātrumu. Neizmantojiet šo instrumentu iepriekšminētajos gadījumos.

- Pārliecinieties, ka visas aizsargierīces (ja tādas ir) ir uzstādītas un ir derīgas ekspluatācijai.
- Nelietojiet instrumentu bez aizsargierīcēm (ja tādas ir) vai ja tās ir bojātas.



- Apskatiet instrumentu, pārbaudiet, vai visas detaļas (uzgriežņi, bultskrūves, skrūve) ir nostiprinātas, vai nav bojājumu. Lai garantētu instrumenta drošu darbību, periodiski pārbaudiet, vai labi nostiprinātas visas skrūves un bultskrūves (ja tādas ir). Vajadzības gadījumā pirms instrumenta izmantošanas salabojiet vai nomainiet tās. Bojāta instrumenta lietošanas gadījumā operators vai citas nepiederošas personas var gūt nopietnas traumas.
- Izmantojiet darbam piemērotu darba apģērbu. Kustīgās daļas var ievilkāt vaļiņos apģērbus vai rotājumus. Uzvelciet attiecīgu darba apģērbu. Rekomendējam sargāt kājas un pēdas no lidojošām šķembām. Nestrādājiet basām kājām vai vieglās sandalēs. Sasieniet garus matus.
- Turiet rokturus tīrus un sausus.
- Izmantojiet attiecīgus aizsardzības līdzekļus. Lietojiet aizsargbrilles un cimdus. Strādājot ar pulveriem vai izplūdes gāzēm, izmantojiet pretputekļu respiratorus. Vajadzības gadījumā uzvelciet neslīdošus apavus, ķiveri un ausu aizbāžņus. Ja trokšņa līmenis pārsniedz 85 dB(A), obligāti izmantojiet prettrokšņa austiņas.



UZMANĪGI! Izmantojiet individuālās aizsardzības līdzekļus. Aizsargierīces un individuālās aizsardzības līdzekļi nodrošina jūsu un apkārtējo cilvēku veselības aizsardzību, kā arī garantē ne-traucētu instrumenta darbību.

- Neiedarbiniet instrumentu, ja tas ir apgāzts vai atrodas darbam nederīgā stāvoklī.
- Darba laika saglabājiet stabilu stāvokli. Vienmēr saglabājiet līdzsvaru.
- Levērojiet tīrību darba teritorijā. Uz aizkrautajiem zemes gabaliem bieži vērojams augsts traumatisma līmenis. Pirms instrumenta izmantošanas novāciet no teritorijas visus nepiederošus priekšmetus, ka arī izvairieties no nepiederošu priekšmetu nokļūšanas zem instrumenta darbības laikā.
- Nepārslodojiet instrumentu.
- Lietojiet instrumentu tikai dienas gaismā vai pie laba mākslīgā apgaismojuma. Neizmantojiet instrumentu sliktas redzamības apstākļos.
- Uzmanieties, lai instruments nenokristu, nepieļaujiet tā sadursmi ar jebkādiem šķēršļiem.

UZMANĪGI! Esiet uzmanīgi. Uzmanieties darba procesā. Izkaidība var būt iemesls kontroles zaudēšanai. Attiecieties pret darbu prātīgi.

Elektrodrošības noteikumi

UZMANĪBU! Lietojot elektriskos instrumentus, lai novērstu elektriskās strāvas triecienus, traumas vai uzliesmojumu, jāievēro sekojošie drošības noteikumi. Pirms instrumenta izmantošanas akurāti izlasiet un ievērojiet šīs instrukcijas.

- Lai paaugstinātu drošības līmeni, ieteicams izmantot diferenciāli aizsardzības ierīci (RCD), kas ir paredzēta tikai 30 mA atslēgšanai. Pārbaudiet RCD pirms katras izmantošanas. Vērsieties pie kvalificēta elektriķa.



UZMANĪBU! RCD vai cita pārtraucēja izmantošana neatbrīvo operatoru no obligātas iepazīšanās ar drošības tehnikas noteikumiem un šajā instrukcijā noteiktajiem drošas darbošanās paņēmieniem.

- Sprieguma lielumam jāatbilst uz etiķetes vai instrukcijā norādītajam. Neizmantojiet citus barošanas avotus.
- Sprieguma lielumam jāatbilst uz etiķetes vai instrukcijā norādītajam. Neizmantojiet citus barošanas avotus.
- Izvairieties no kontakta ar zemējumietaisēm (cauruļvadiem, radiatoriem un refrīžeratoriem). Ja ķermenis ir iezemēts, tas paaugstina strāvas triecienu risku.



UZMANĪGI! Lai novērstu elektriskās strāvas radītos ievainojumus un apdegumus, nepieskaraties instrumenta detaļām, kuras vada elektrisko spriegumu.

- Pārvietojot instrumentu, nevelciet aiz kabeli.
- Izmantojiet elektrības vadu uzmanīgi. Sargājiet elektrības vadu no uzkaršanas, kontakta ar smērvielām, kā arī asiem priekšmetiem vai kustīgām daļām.
- Esiet uzmanīgi ar elektrības vadu.
- Neizmantojiet elektriskos instrumentus viegli uzliesmojošu šķidrumu un deggāzu tuvumā.
- Pirms instrumenta pārvietošanas atslēdziet to no elektriskā tīkla.



UZMANĪGI! Instruments vispirms jāizslēdz un tad jāizņem kontaktdakša no rozetes vai pagarinātāja ligzdas.

- Nepārspiediet pagarinātāja kabeli instrumenta darbošanās laikā. Neizlaidiet kabeli no redzesloka.
- Nepieslēdziet pagarinātāju instrumentam patstāvīgi. Vērsieties tuvākajā apkalpošanas centrā.
- Barošanas vada bojājuma gadījumā, lai novērstu bīstamas situācijas, bojātais vads ir jānomaina. To var darīt ražotājs vai tā aģents, vai analogiskas kvalifikācijas profesionālis.
- Ja kabelis ir bojāts vai sagriezts, nekavējoties izvelciet kontaktdakšu no elektrības rozetes.



**UZMANĪBU! PASTĀV RISKS
GŪT ELEKTRISKĀS STRĀVAS
IEVAINOJUMUS!**

Uzmaniet darba vidi. Neizmantojiet elektriskos instrumentus lietus laikā. Neizmantojiet elektriskos instrumentus valgās un mitrās telpās. Uzturiet darba teritoriju sausu, nodrošiniet labu apgaismojumu. Sargājiet instrumentu no mitruma. Neatstājiet instrumentu uz nakti ārā. Gadījumā, ja ierīcē nokļuvis ūdens, paaugstinās elektriskās strāvas radīto ievainojumu risks.

- Regulāri un katru reizi pirms izmantošanas pārbaudiet barošanas vadu, vai nav konstatētas bojājumu un nolietojuma pazīmes. Neizmantojiet instrumentu ar bojātu kabeli; vērsieties tuvākajā apkalpošanas centrā.
- Strādājot ārpus telpas, lietojiet tikai piemērotus pagarinātājus ar atbilstošu marķējumu. Izvairieties no kabeļa nokļūšanas zem instrumenta, sargājiet to no mitruma, uzkaršanas un kontakta ar smērvielām vai viegli uzliesmojošiem šķidrumiem.
- Izvairieties no instrumenta nejaušas iedarbināšanas: pirms instrumenta pieslēgšanas elektrotīklam, pārliecinieties, ka slēdzis (ja tāds ir) ir pārvietots 'OFF' stāvoklī.
- Pirms instrumenta ieslēgšanas izņemiet iestatīšanas skrūves un atslēgas.
- Neizmantojiet instrumentu ar bojātu slēdzi. Instruments ar bojātu slēdzi ir bīstams un tam nepieciešams remonts.



UZMANĪBU! Dažreiz elektroinstrumentu darbības laikā rodas ķīmiskas vielas saturoši putekļi, kas var izraisīt vēzi.

Tādas ķīmiskas vielas var būt: svins, (svina balta sastāvā), kvarcs (ķieģeļu un cementa sastāvā), arsēns un hroms (ar ķīmiskajiem reaģentiem apstrādāto zāģmateriālu sastāvā), kā arī citas kaitīgas vielas. Šo vielu bīstamības pakāpe ir atkarīga no darbu biežuma. **Lai samazinātu to kaitīgo ietekmi, strādājiet labi vedināmā telpā un izmantojiet apstiprinātos**

individuālās aizsardzības līdzekļus, piemēram, speciāli mikroskopisko daļiņu filtrēšanai izstrādātos pretputekļu respiratorus.

- Nepiederošu priekšmetu nokļūšanas zem instrumenta gadījumā apskatiet to, lai pārliecinātos, ka nav bojājumu un nepieciešamības gadījumā veiciet nepieciešamo remontu.
- Pārmērīgas vibrācijas rašanās gadījumā izslēdziet instrumentu un noskaidrojiet vibrācijas iemeslu. Parasti vibrācija liecina par bojājumu.
- Pirms darba vietas atstāšanas veiciet instrumenta apskati, remontu vai tīrīšanu, atslēdziet to un uzgaidiet, līdz tas pilnībā apstāties.
- Ir aizliegts noņemt vai nomainīt instrumenta iekšējās detaļas.

Īpašie drošības tehnikas noteikumi

- Pirms āmura izmantošanas vienmēr uzvilkt aizsargķiveri, aizsargbrilles vai līdzekļus acu aizsardzībai (parastās brilles vai saulesbrilles NAV individuālās aizsardzības līdzekļi. Tās var atvairīt materiāla šķembas, kas var ielidot sejā vai acīs.
- Daži materiāli satur ķīmiskās vielas, kuras var būt toksiskas un izraisīt elpošanas problēmas putekļu vai gāzu dēļ, kas veidojas pie materiāla drupināšanas. Jābūt uzmanīgiem un jānovērš putekļu ieelpošanu un to nokļūšanu uz ādas. Uzvilkt putekļus aizsargājošu masku un biežus aizsargcimdus.
- Izmantot biežus amortizējošus cimdus un ierobežot āmura kaitīgās iedarbības laiku ar biežiem pārtraukumiem darbā. Atskaldāmura darba laikā izraisītā vibrācija var kaitēt jūsu rokām.
- Strādājot ar āmuru valkāt trokšņu slāpējošas ausiņas. Ilga, augstas intensitātes trokšņa iedarbība var izraisīt dzirdes zudumu.
- Strādājot ar āmuru augstumā, pārbaudīt vai apakšā esošajā teritorijā neatrodas cilvēki. Pārliecināties, ka nav cilvēku bīstamā tukumā darba zonā.
- Strādājot nevīzīt āmuru uz cilvēku pusi, kuri atrodas darba zonā. Kalts var izlidot un nopietni savainot cilvēkus.
- Pirms darbu uzsākšanas pārliecināties vai kalts droši iestiprināts āmurā.
- Āmurs paredzēts vibrācijai pie normāliem darba apstākļiem. Vibrācijas laikā skrūves var kļūt vaļīgas un izraisīt āmura bojājumu vai nelaimes gadījumu. Pirms darba rūpīgi pārbaudīt blīvu skrūvju pievilkumu.
- Pirms darbu uzsākšanas aukstā laikā vai pēc ilgstoša pārtraukuma nepieciešams zināmu laiku āmuru uzsildīt, ieslēdzot to brīvgaitā. Šajā laikā sašķīdinās āmura smērvielas. Bez pietiekamas sildīšanas āmurs slīkti darbosies.
- Stipri turēt āmuru ar abām rokām.
- Izmantot palīgrokturi, kas tiek piegādāts komplektā



kopā ar āmuru. Labākai āmura vadīšanai vienmēr turiet to aiz abiem rokturiem. Nekad necentieties strādāt ar āmuru, turot tikai aiz viena roktura. Darba laikā rodas spēcīgs sitiens spēks un var pazaudēt āmura vadību, censties noturēt tikai ar vienu roku. Kontroles par āmuru zaudēšana var novest pie traumām.

- Veicot darbus, pie kuriem iespējams, ka ieslēgtais āmurs var uzstīties uz slēptiem elektrokabeļiem vai pa savu elektrisko vadu, turēt āmuru aiz izolētiem rokturiem. Pie kontakta ar kabeli zem sprieguma, āmura metāliskās daļas arī var nonākt zem sprieguma un kļūt par iemeslu elektrotraumai.

- Vienmēr pārbaudīt kāju atbalsta vietas.
- Strādājot nostāties tādā veidā, lai izvairītos būt iespiestam starp āmuru un sienām vai stabiem. Ja darba laikā kalts tiek iespiests vai piespiests, tad āmura atsitiens var sadragāt darbinieka kāju vai roku.

- Nekad neizsist vai neizlauzt ar āmuru esošās sienas vai citas zonas, kuras nav iespējams aplūkot, kurās var atrasties elektroinstalācija. Ja tiešām šāds darbs nepieciešams, atslēgt un atvienot visus drošinātājus vai slēdžus, caur kuriem tiek padota elektriskā barošana uz darbu veikšanas iecirkni.

- Pirms darbu uzsākšanas, ar metāla meklētāja palīdzību atrast gāzes vai ūdensvada caurules, kas atrodas slēptās darbu veikšanas vietās, vai izsaukt vietējo kompāniju, kura atbildīga par inženiertehniskajām komunikācijām. Sitiens ar kalnu vai iegriešanās gāzes vadā izraisīs sprādzienu. Ūdens nokļūšana elektroinstrumentā var izraisīt elektrotraumu.

- Neizmantojot trulu un bojātus kaltus un palīgierīces. Truli un bojāti kalti visdrīzāk var tikt iespiesti darba objektā.
- Nepietuvināt rokas kustīgām āmura daļām.
- Neizlaist no rokām darbojošos āmuru. Izpildīt darbu tikai turot āmuru rokās.

- Nekad nenovietojiet āmuru uz grīdas pirms pilnīgas motora apstāšanās.

- Nepieskarties pie kalta vai detaļām, kas atrodas blakus tam uzreiz pēc darba, tās var būt ārkārtīgi karstas un var apdedzināt ādu.

- Izņemot kalnu no āmura, izvairīties no kontakta ar ādu, bet kalta vai palīgierīču satveršanai izmantot pienācīgu aizsargcimdus. Pēc ilgstoša darba ierīces var būt stipri sakarsušas.

IZPAKOŠANA

Izpakojot, pārbaudiet visu elementu esību. Skat. rasējumus šīs lietotāja pamācības pielikumā. Jebkādu detaļu trūkuma vai defekta gadījumā vērsieties IVT apkalpošanas centrā.

EKSPLOATĀCIJAS SĀKŠANA

Sprieguma lielumam jāatbilst tām, kurš norādīts instrukcijā, tabulā ar instrumenta tehniskajiem datiem.

PALĪGROKTURIS (3)



UZMANĪBU! Vienmēr atvienojiet āmura elektrības kontaktdakšu pirms regulēšanas.

Palīgroktura stiprinājums (3)

Drošības nolūkos vienmēr izmantojiet palīgrokturi (3) strādājot ar atskaldāmuru. Palīgrokturis (3) ļauj panākt lielāku stabilitāti darbā.

Palīgrokturi (3) var noregulēt jebkurā nepieciešamā stāvoklī:

1. Atslābināt palīgroktura skrūvi (4) [F1].
2. Pagriezt palīgrokturi (3) darbam visērtākajā stāvoklī.
3. No jauna pievilkt skrūvi (4).

KALTA NOMAIŅA

Kalta uzstādīšana [F2]

1. Pirms uzstādīšanas noslaukiet kalnu un uzklājiet plānu biezas smērvielas kārtu uz instrumenta stieņa.
2. Atvelciet pēc iespējas tālāk sprostskrūvi (5), pagrieziet to par 180° un atlaidiet.
3. Ievietojiet kalnu patronā (6) un iebīdīet to iekšā, pēc iespējas dziļāk.
4. No jauna atvelciet sprostskrūvi (5), pagrieziet to par 180° uz pretējo pusi un atlaidiet.
5. Pārbaudiet slēdža drošību, pamēģinot izvilkēt kalnu.

Kalta izņemšana

- Kalta izņemšanai veiciet augstāk minētās darbības pretējā kārtībā.

IESLĒGŠANA / IZSLĒGŠANA [F3]

Pirms āmura ieslēgšanas atrast ar kabeļu meklētāju/metāla meklētāju spēka kabeļus, kā arī gāzes vai ūdensvada caurules, kas ir slēptas objekta sagraušanas vietā.



UZMANĪBU! Lai izvairītos no bīstamas situācijas, āmuru nepieciešams noturēt tikai aiz galvenā (1) un palīgroktura (3). Pretējā gadījumā, pie kalta sitiens pa elektrisko kabeli var gūt elektrotraumu.

Ieslēgšana

Nospiegt un nofiksēt nospiebtā stāvoklī slēdzi IESLĒGTS/IZSLĒGTS (2)

Izslēgšana

Izvest slēdzi IESLĒGTS/IZSLĒGTS (2) no nospiesta stāvokļa.

NODERĪGA INFORMĀCIJA



UZMANĪBU! Darbam ar kalnu nepieciešama tikai nenozīmīga uzspiešana uz objekta virsmu. Pārāk liela kalna kontakta uzspiešana novedīs pie nevajadzīgas motora pārslodzes.

Kalta uzasināšana

Labus darba rezultātus var sasniegt, tikai, ja kalns ir uzasināts. Tādēļ nepieciešams savlaicīgi uzasināt kalnu tā efektīvam un ilgstošam darbam.

Regulāri apskatīt kalnu. Uzasināt vai nomainīt notrulināto instrumentu.

APKALPOŠANA UN GLABĀŠANA



UZMANĪGI! Pirms jebkādu darbu uzsākšanas izvelciet instrumenta spraudkontakta.

- Turiet instrumentu un tā vēdcaurumus (ja tādi ir) tīrus. Regulāra tīrīšana un apkošana garantē instrumenta augstu efektivitāti un ilgstošu ekspluatāciju.
- Gadījumā, ja, neskatoties uz precīzām ražošanas un testēšanas procedūrām, instrumentam ir konstatēti defekti, remonts jāveic oficiālajā IVT servisa centrā.
- Visiem uzgriežņiem, bultskrūvēm un skrūvēm ir jābūt stingri pievilkām.
- Laicīgi nomainiet bojātās vai nolietotās detaļas.
- Izmantojiet tikai oriģinālas rezerves daļas. Citu ražotāju izstrādātas detaļas nepieļauj cieši, kas paaugstina traumatisma risku.
- Glabājiet instrumentu sausā, bērniem nepieejamajā vietā, drošā attālumā no viegli uzliesmojošiem materiāliem.
- Sargājiet instrumentu no mitruma!

Eļļas līmeņa pārbaude

Pārbaudīt eļļas līmeni pirms āmura izmantošanas:

- Nolikot āmuru uz grīdas ar patronu (6) uz leju. Eļļas līmenim jābūt, vismaz par 3 mm augstāk par eļļas līmeņa pārbaudes loga (7) apakšējo malu.

Eļļošanas smērvielas nomaīņa [F4]

Eļļu nepieciešams nomainīt pēc katrām 40-50 darba stundām.

1. Izslēgt āmuru un atvienot savienotāja kontaktdakšu no kontakligzdas.

2. Izskrūvēt skrūvi ar sešstūru galviņu un apskates lodziņu (7) ar gredzenveida uzgriežņu atslēgas (8) palīdzību un noliet eļļu. Lai izvairītos no nekontrolējamas eļļas izlīšanas nepieciešams turēt zem nolīšanas atveres nelielu metālistiku reni un savākt visu eļļu tvertnē, kas iztek no atveres.

Uzmanību! Atstrādātās eļļas utilizācija jāveic atbilstošā atstrādāto eļļu savākšanas punktā.

3. Ieliet svaigu eļļu caur liešanas atveri (7) līdz nepieciešamajam līmenim.

4. No jauna ieskrūvēt un pievilkt skrūvi ar sešstūru galviņu un apskates lodziņu (7).

5. Pēc kāda darba laika atkārtoti pārbaudīt eļļas līmeni ierīcē.

APKĀRTĒJĀS VIDES AIZSARDZĪBA



Sūtiēt izejvielas pārstrādei, nevis atkritumos!

Instrumenti, papildus ierīces un to iepakojums jāsusūta uz ekoloģijai nekaitīgu pārstrādi.

Plastmasas elementi jāsusūta uz klasificētu pārstrādi. Šīs instrukcijas ir drukātas uz hloru nesaturoša utilizācijas papīra.



UZMANĪBU! VEIKT IZSTRĀDĀJUMA REMONTU PATSTĀVĪGI UN SLĒPT TĀ PĒDAS IR PILNĪGI NEPIEĻAUJAMI! Tikai autorizētam IVT Servisa-Centram ir tiesības veikt remontu un paplašinātu tehnisko apkopi. Veikt izmaiņas izstrādājuma iekšējā uzbūvē aizliegts! ŠĀDAS DARBĪBAS IR NE TĪKAI PAMATOJUMS ATTEIKUMAM GARANTIJAS SAISTĪBU IZPILDEI, BET VAR BŪT PAR IEMESLU BOJĀJUMAM UN NOPIETNIEM SAKROPLĀJUMIEM.

CARACTERISTICAS TECNICAS DE LA HERRAMIENTA

Modelo	DBRK-1500
Voltaje ~ Frecuencia [V ~ Hz]	230 ~ 50
Potencia nominal [W]	1500
Frecuencia nominal de percusión [golpes al minuto]	1900
Energía del golpe [J]	45
Nivel de la vibración [m/s ²]	18.575 (K=1.5)
Nivel de la presión de sonido [dB(A)]	92.87 (K=3)
Nivel de la potencia de sonido [dB(A)]	105.00 (K=3)
Peso [kg]	14
Clase de seguridad	II

LISTA DE COMPONENTES

1. Mango
2. Interruptor ON – OFF
3. Mango auxiliar
4. Tornillo del mango auxiliar
5. Perno de retención
6. Mandril
7. Ventanilla de inspección del nivel de aceite/orificio de evacuación
8. Llave de vaso hexagonal

CONTENIDO DE LA CAJA

Manual de instrucciones (1 un.), Cíncel de punta piramidal (1 un.), cíncel de punta plana (1 un.), mango auxiliar (1 un.), llave de vaso hexagonal (1 un.), cepillos de carbón (1 juego) .

DESTINACION

El presente modelo del martillo percutor se utiliza para los trabajos de demolición dura y corte de los objetos con el cíncel seleccionado.

NORMAS DE SEGURIDAD DURANTE EL USO

Normas de seguridad generales

Las siguientes normas de seguridad le ayudaran a utilizar la herramienta de modo correcto y protegeran su propia seguridad. Por favor, lea con atención esta información.

Si pasa esta herramienta a la tercera persona, pasele sin falta también estas instrucciones.

Conserve el presente manual y otra documentación adjunta a la herramienta para las futuras consultas.

Cumpla con la información de seguridad situada en los

letreros de la herramienta.

Antes de proceder al trabajo estudie la información del control y del uso debido de la herramienta y asegúrese de que pueda desconectarla en el caso de emergencia.

Además, el cumplimiento de estas simples instrucciones permitira mantener su herramienta en buenas condiciones de trabajo.

- Antes de utilizarla, asegúrese de que la herramienta este ensamblada correctamente.

- Utilice la herramienta solo de acuerdo con su destinación.

- La herramienta puede contener indicaciones o simbolos de avisos de seguridad. La prevención de accidentes depende de la atención, sentido común y preparación adecuada de todos los que participan en el empleo, transporte, mantenimiento técnico y almacenamiento de la herramienta.

- Nunca deje la herramienta desatendida.

- En ningún caso permita que los niños utilicen la herramienta. Asegúrese de los niños no jueguen con la herramienta.

- Mantenga la herramienta fuera de alcance de los niños y los animales. Asegúrese de que todos los “espectadores” guarden la distancia de seguridad de la herramienta en funcionamiento.

- Recuerde que el usuario es responsable de la seguridad de los terceros mientras trabaja con la herramienta.

- La utilización de la herramienta queda prohibida a: las personas que no están familiarizadas con las presentes instrucciones; las personas que no han alcanzado la edad para la utilización de esta herramienta; las personas bajo la influencia de alcohol, drogas o medicinas. Los marcos de edad del usuario pueden estar limitados por la legislación local.



¡CUIDADO! La cosumision del alcohol, medicinas y drogas, indisposicion y fiebre pueden afectar su capacidad de reaccion. No utilice la herramienta si esta en una de esas situaciones.

- Asegurese de que todos los dispositivos de proteccion (si procede) esten instalados y en buen estado.
- Queda prohibida la utilizacion de la herramienta con los defectos u omision de los dispositivos de seguridad o cascos protectores (si estan previstos).
- Asegurese de que la herramienta no contenga componentes sueltos o deteriorados (tales, como pernos, tuercas, tornillos, etc.). Examine periodicamente los tornillos y pernos, que tienen que estar bien apretados – esa es la garantia de seguridad y del funcionamiento correcto del equipamiento. En el caso necesario antes de proceder al uso, sustituya dichas piezas. Los defectos en la herramienta pueden causar el traumatismo grave como del operario, tanto de la gente alrededor.
- Trabajando con la herramienta es necesario vestirse adecuadamente. La vestimenta no tiene que ser ancha, no ponga los adornos que pueden engancharse a las partes moviles de la herramienta. Ponga el uniforme de trabajo apropiado. La ropa y el calzado tiene que cubrir completamente las piernas y los pies lo que asegura la proteccion ante los trozos que puedan saltar. No trabaje descalzo ni con el calzado abierto. El pelo largo tiene que estar recogido hacia atras.
- Los mangos y manivelas de la herramienta tienen que mantenerse secos, limpios y sin engrasar.
- Utilice el equipo apropiado de la proteccion individual. Ponga gafas y guantes de seguridad. Trabajando con los materiales que desprenden polvo o con los gases de escape ponga la mascarilla. En el caso de necesidad ponga el calzado con la suela antideslizante, casco y tapones de oidos. Si el nivel de ruido supera 85 dB (A) la utilizacion del equipo protector de oido es obligatoria.



¡CUIDADO! Utilice el equipo de la proteccion individual! Los dispositivos de proteccion y los medios de seguridad individual protegen su salud y la salud de los que estan alrededor y asimismo aseguran el uso sin fallas de la herramienta.

- No encienda la herramienta si esta en la posicion indebida o si no esta preparada para el trabajo.
- Adopte la postura estable. Durante el trabajo

asegura la posicion correcta de las piernas y el equilibrio.

- Mantenga limpio el lugar de trabajo. El desorden puede causar accidentes. Previamente quite todos los objetos ajenos de la zona de trabajo y asegurese que no esten en el area de trabajo durante la operacion.
- No permita las sobrecargas de la herramienta.
- Trabaje solo con buena iluminacion, natural o artificial. Queda prohibido el uso de la herramienta en condiciones de mala visibilidad.
- Tenga cuidado, no permita caidas y golpes de la herramienta.

¡ATENCIÓN! Este alerta. Trabaje prestando atencion. Si se distrae, pierda el control. Use el sentido comun.

Normas de seguridad utilizando las herramientas electricas

¡CUIDADO! El cumplimiento de las normas de seguridad utilizando las herramientas electricas previene el riesgo de la descarga electrica, accidentes, incendio. Lea atentamente estas normas antes de proceder a trabajar con la herramienta y cumplanlas rigurosamente.

- Para mejorar la seguridad en materia de electricidad se recomienda la utilizacion del Dispositivo Diferencial Residual (DDR) con la corriente disyuntiva no mas de 30 mA. Siempre cuando quiera utilizar la herramienta, compruebe el DDR. Consulte al electricista cualificado.



¡CUIDADO! La utilizacion del DDR o cualquier otro dispositivo automatico de desconexion no libra al usuario de cumplir las normas de seguridad y practicas del trabajo seguro, recogidas en el presente manual.

- El voltaje de la red debe corresponder al indicado en la pegatina y en el presente manual. No utilice otras fuentes de alimentacion.
- Antes de conectar la herramienta al enchufe de red asegurese de su buen funcionamiento y de que sus parametros correspondan a los indicados en la tablilla de la ficha tecnica.
- Durante el funcionamiento de la herramienta no toque los objetos con la toma a tierra, tales como tubos, radiadore, hornillas y frigorificos. Si su cuerpo esta conectado a tierra, se incrementa el riesgo de la descarga electrica.



¡ATENCIÓN! El contacto con los elementos conductores de corriente puede provocar la descarga eléctrica, quemaduras y hasta la muerte.

- No saque la clavija del enchufe tirando del cable.
- No dane el cable. Mantenga el cable de red fuera del contacto con los objetos calientes, engrasados, puntiagudos o en movimiento.
- Vigile siempre la integridad del cable de conexión.
- Queda prohibida la utilización de las herramientas eléctricas cerca de los líquidos o gases inflamables.
- Antes de desplazar la herramienta al otro sitio, desenchufela sin falta de la red de alimentación.



¡ATENCIÓN! Desenchufe siempre la herramienta de la red de alimentación antes de desconectar la unión por clavija o el cablealargador.

- Queda prohibido pasar la herramienta en funcionamiento por encima del cable alargador. Asegurese de saber siempre donde se situa el cable.
- No conecte por su cuenta el cable-alargador a la herramienta directamente. Lleve el dispositivo al centro de servicio técnico autorizado mas cercano.
- Para evitar el peligro el cable danado lo sustituirá solo el fabricante, su representante o la persona con la cualificación similar.
- En el caso de danar o cortar el cable inmediatamente desenchufe la herramienta de la red de alimentación.



¡ATENCIÓN! ¡PELIGRO DE RECIBIR DESCARGA ELÉCTRICA!

Tenga en cuenta las condiciones de trabajo. No encienda la herramienta eléctrica bajo la lluvia. Queda prohibida su utilización en las condiciones de humedad. El lugar de trabajo tiene que estar seco y bien iluminado. No exponga la herramienta a los efectos de humedad. No deje la herramienta por la noche al aire libre. La penetración del agua en la herramienta eléctrica aumenta el riesgo de recibir la descarga eléctrica.

- Compruebe periódicamente el estado del cable de alimentación. Antes de empezar a trabajar asegurese de que no este danado ni presenta signos de desgaste. Si el estado del cable no es satisfactorio, no encienda la herramienta. Llévela al centro de servicio técnico autorizado.
- Trabajando con la herramienta en el exterior utilice

los cables-alargadores con el marcado correspondiente – aptos para trabajos exteriores. Durante la operación el cable se situará por detrás del usuario, fuera del área del trabajo. Evite el contacto del cable con las superficies mojadas, húmedas, engrasadas o calientes y con los materiales inflamables.

- Excluya la posibilidad del encendido accidental de la herramienta: antes de encenderla, asegurese de que el interruptor de alimentación (si procede) este en la posición “apagado/off”.
- Antes de encenderla quite las llaves inglesas o cerradas.
- No utilice la herramienta si el interruptor esta danado (no enciende o no apaga el dispositivo). Cualquier herramienta con el interruptor defectuoso es peligroso y requiere la reparación obligatoria.



¡CUIDADO! La utilización de las herramientas eléctricas puede provocar la formación del polvo cancerígeno.

Algunas de sus fuentes son: plomo de la pintura con base de plomo, silicio cristalino de ladrillos, cemento y otros materiales de construcción, arsénico y cromo de la madera tratada químicamente. Si durante el trabajo se forma el polvo, el grado de su efecto depende de la frecuencia con la que desempeña tal trabajo.

Para reducir el efecto de estas sustancias químicas, los trabajos durante los cuales se forma el polvo se realizarán en los locales bien ventilados y con medios de protección correspondiente, tales como la mascarilla especial para el trabajo con micropartículas.

- Si la herramienta ha sufrido el golpe exterior, antes de volver a encenderla y continuar con el trabajo, asegurese de que no haya resultado danada y en el caso necesario realice la reparación correspondiente.
- Si la herramienta ha comenzado a vibrar demasiado, desconéctela y averigüe la causa. La vibración suele indicar una falla.
- Desconecte la herramienta y espere hasta que pare completamente en el caso de que tenga que apartarse de la herramienta, realizar la reparación o mantenimiento técnico, o comprobar algo o limpiar el dispositivo.
- Queda prohibida la sustitución o cambio en los componentes interiores del dispositivo.

Normas de seguridad específicas

- Antes de utilizar el martillo póngase siempre el casco de seguridad (casco protector), gafas protectoras u otro tipo de protección de ojos (gafas corrientes o de sol NO SON medios de seguridad personal). Así



se podrá detener los trozos de material que pueden desprenderse hacia la cara y los ojos.

- Algunos materiales contienen sustancias químicas que pueden ser tóxicas y provocan problemas respiratorios originados por el polvo o gas que se forman al demoler el material. Tenga cuidado, no inhale el polvo y evite su contacto con la piel. Póngase la mascarilla protectora del polvo y guantes gordos de protección.
- Utilice los guantes gordos amortiguadores e interrumpa el tiempo de exposición con las pausas frecuentes en el trabajo. La vibración que origina el funcionamiento del martillo percutor puede lesionar sus brazos y manos.
- Ponga los auriculares anti ruido durante el trabajo con el martillo. La exposición duradera al ruido de gran intensidad puede provocar la pérdida de oído.
- Trabajando con el martillo en las alturas, compruebe que no haya gente debajo. Asegúrese de que no haya gente en las proximidades del área de trabajo
- Trabajando no dirija el martillo hacia el lado de las personas que se encuentran en el área de trabajo. El cincel podría saltar del martillo y provocar serias lesiones.
- Antes de iniciar el trabajo asegúrese de que el cincel esté firmemente fijado en el martillo.
- El martillo está diseñado para soportar la vibración con las condiciones normales del trabajo. Con la vibración los tornillos pueden aflojarse y provocar la avería del martillo o un accidente. Antes de iniciar el trabajo asegúrese de que los tornillos estén firmemente tensados.
- Antes de comenzar el trabajo con el tiempo frío o tras una larga inactividad se requiere un cierto tiempo para calentar el martillo, encendiéndolo con la marcha en vacío. Con eso la lubricación del martillo se ablanda. Sin el calentamiento suficiente el martillo no funcionará bien.
- Sujete firmemente el martillo con ambas manos.
- Utilice el mango auxiliar, que entra en el juego de suministro. Para controlar mejor el martillo siempre sujételo por los dos mangos. Nunca opere con el martillo sujetándolo por un solo mango. Trabajando se forma una ola potente de percusión y si lo sujeta con una sola mano podría perder el control del martillo. La pérdida del control del martillo podría provocar lesiones.
- Al realizar los trabajos durante los cuales el martillo podría tocar los cables ocultos de potencia o su propio cable, sujete el martillo por dos mangos aislados. Al entrar en contacto con el cable bajo tensión las partes metálicas del martillo pueden resultar también bajo tensión y provocar la descarga eléctrica.
- Asegúrese siempre de que los pies estén firmemente apoyados.
- Durante el trabajo sitúese de manera que se evite el atrapamiento entre el martillo y paredes o pilares. Si durante la operación el cincel se quedara apretado

o atrapado el rebote del martillo podría quebrantar el brazo o la pierna del operario.

- No corte ni demuela las paredes existentes u otras áreas que es imposible examinar y por donde podría pasar la instalación eléctrica. Si es necesario realizar este tipo de trabajo, desconecte y apague todos los fusibles o interruptores que controlan el suministro de alimentación eléctrica de la zona de operación.
- Antes de comenzar la operación localice con ayuda del detector de metales las tuberías del gas o el agua, ocultos en el area de trabajo o consulte a la empresa local responsable de las instalaciones. La percusión con el cincel o el corte de la línea de gas puede provocar la explosión. El contacto del agua con la herramienta eléctrica puede provocar la descarga eléctrica.
- No utilice cinceles ni accesorios desgastados o dañados. Los cinceles desgastados o dañados tienen más probabilidad de quedarse atrapados en la pieza en operación.
- No acerque las manos a las partes móviles del martillo.
- No suelte de las manos el martillo en funcionamiento. Realice el trabajo sólo sujetando el martillo con las manos.
- Nunca ponga el martillo al suelo si el motor no esté parado por completo.
- No toque el cincel ni las piezas que están a su lado inmediatamente después de la operación; pueden resultar muy calientes y quemar la piel.
- Al sacar el cincel del martillo evite el contacto con la piel, para agarrar el cincel o el accesorio utilice los guantes de protección adecuados. Tras la operación de larga duración los accesorios pueden calentarse.

DESEMBALAJE

Al desembalar compruebe que todos los componentes esten incluidos. Para cotejarlo vease los esquemas del presente manual. Si se presenta el defecto u omision de algunas de las partes, dirijase al centro de asistencia tecnica de IVT.

INICIO DE OPERACION

Asegurese de que el voltaje de la alimentacion corresponda a los parametros indicados en la tablilla de la herramienta que contiene la ficha tecnica.

MANGO AUXILIAR (3)



ATENCIÓN! Deconecte siempre el enchufe de alimentación antes de realizar ajustes.

Sujeción del mango auxiliar (3)

Por razones de seguridad utilice siempre el mango auxiliar (3) trabajando con el martillo percutor. El mango auxiliar (3) permite conseguir más estabilidad durante la operación.

El mango auxiliar (3) puede instalarse en cualquier posición requerida:

1. Afloje el tornillo del mango auxiliar (4) [F1].
2. Gire el mango auxiliar (3) a la posición más cómoda para el trabajo.
3. Vuelva a tensar el tornillo (4).

SUSTITUCIÓN DEL CINCEL

Inserción del cincel [F2]

1. Antes de montarlo, limpie el cincel y cubra la espiga de la herramienta con la capa gruesa de lubricante.
2. Tire del perno de retención (5) lo más lejos posible, gírelo en 180° y suéltelo.
3. Incerte el cincel en el mandril (6) y empújelo hacia dentro todo lo que pueda.
4. Vuelva a tirar del perno de retención (5), gírelo en 180° hacia el lado opuesto y suéltelo.
5. Compruebe la seguridad de retención, intentando sacar el cincel.

Extracción del cincel

- Para extraer el cincel realice las operaciones arriba expuestas en el orden inverso.

ENCENDIDO / APAGADO [F3]

Antes de encender el martillo, localice con ayuda del detector de cables/metales los cables de potencia y asimismo las tuberías del gas o el agua ocultas en el área de demolición.



ATENCIÓN! Para evitar el peligro sujete siempre el martillo por el mango base (1) y auxiliar (3). En caso contrario al percutir el martillo sobre el cable de potencia podría recibir la descarga eléctrica.

Encendido

Presione y fije en la posición presionada el interruptor ON/OFF (2).

Apagado

Saque el interruptor ON/OFF (2) de la posición presionada.

CONSEJOS PRÁCTICOS



ATENCIÓN! Para operar con el cincel se requiere una presión leve sobre la superficie a demoler. La presión excesiva podría provocar la sobrecarga innecesaria del motor.

Afilado del cincel

Sólo con el cincel bien afilado se puede conseguir buenos resultados de la operación. Por eso es necesario afilar el cincel en su debido tiempo para conseguir el rendimiento efectivo y de larga duración.

Periódicamente revise el cincel. Afíle o sustituya el cincel desgastado.

MANTENIMIENTO Y ALMACENAMIENTO



¡ATENCIÓN! Antes de iniciar cualquier trabajo, relacionado con la herramienta, saque la clavija del enchufe de red.

- Mantenga siempre limpia la herramienta y los orificios de ventilación. La limpieza periódica y el mantenimiento técnico aseguran el alto rendimiento y prorrogran la vida útil de su herramienta.
- Si la herramienta de calidad a pesar de haber pasado las rigurosas pruebas de fábrica tiene falla, su reparación tiene que realizarse solo en el servicio al consumidor autorizado de IVT.
- Las tuercas, los tornillos y los pernos tienen que estar bien apretados – esa es la garantía de seguridad y del funcionamiento correcto del equipamiento.
- Por motivos de seguridad sustituya los componentes desgastados y defectuosos.
- Utilice solo las piezas de repuesto originales. En el caso contrario, estas no se ajustan bien lo que puede causar dano.
- Almacene la herramienta en un lugar seco, fuera de alcance de los niños y lejos de los materiales inflamables.
- Queda prohibido mojar la herramienta y echarle agua!

Revisión del nivel del aceite

Revise el nivel del aceite antes de operar con el martillo:

- Ponga el martillo al suelo con el mandril (6) hacia



abajo. El nivel del aceite tiene que ser por lo menos 3 mm superior del borde inferior de la ventanilla de inspección.

Cambio del aceite [F4]

El aceite se cambiará cada 40-50 horas de operación aproximadamente.

1. Apague el martillo y saque la clavija del enchufe.
2. Desenrosque el tornillo de seis puntas y la ventanilla de inspección (7) con ayuda de la llave de vaso (8) y evacúe el aceite. Para evitar el derrame incontrolado del aceite sujete debajo del orificio de evacuación una canaleta metálica y recoja todo el aceite que sale del orificio en un recipiente.

¡Atención! El aceite trabajado tiene que reciclarse en el centro correspondiente de recogida de aceites.

3. Eche el nuevo aceite por el orificio de evacuación (7) hasta el nivel requerido.
4. Vuelva a enroscar y tensar el tornillo de seis puntas y la ventanilla de inspección (7).
5. Tras un tiempo de trabajo vuelva a revisar el nivel del aceite en el dispositivo.

PROTECCION DEL MEDIO AMBIENTE



Es preferible reciclar la materia prima para su reutilización que tirarla.

Las herramientas, los componentes y el embalaje se separan para su reciclaje lo que ayudara a proteger el medio ambiente.

Los componentes de plástico vienen marcados con la información de su reciclaje. El presente manual está impreso en el papel reciclado sin utilización del cloro.



¡ATENCIÓN! ¡ES COMPLETAMENTE INACEPTABLE REALIZAR LA REPARACIÓN USTED MISMO O INTENTAR OCULTAR QUE LO HIZO! Solamente el personal técnico autorizado de IVT tiene el derecho de llevar a cabo las reparaciones y mantenimiento. No está permitido realizar cambios en la estructura interna del equipo. ESTAS ACCIONES NO SOLAMENTE SON LA BASE DE LA PÉRDIDA DE LA GARANTÍA, SINO QUE TAMBIÉN PUEDEN CAUSAR HERIDAS O LESIONES GRAVES.

CARACTÉRISTIQUES TECHNIQUES DE L'APPAREIL

Modèle	DBRK-1500
Tension ~ Fréquence [V ~ Hz]	230 ~ 50
Puissance nominale [Wt]	1500
Fréquence nominale de coups [coup/min]	1900
Energie de coup [J]	45
Niveau de vibration [m/sec. ²]	18.575 (K=1.5)
Niveau de pression sonore [dB(A)]	92.87 (K=3)
Niveau de puissance sonore [dB(A)]	105.00 (K=3)
Poids [kg]	14
Classe de protection	II

LISTE DÉTAILLÉE

1. Manche
2. Interrupteur Arrêt – Marche
3. Manche auxiliaire
4. Vis de la manche auxiliaire
5. Boulon de blocage
6. Mandrin
7. Fenêtre du niveau d'huile/orifice de vidange
8. Clé hexagonale de serrage

CONTENU DE LA BOÎTE

Manuel d'instruction (1 pc.), Trépan pyramidal (1 pièce), trépan plat (1 pièce), manche auxiliaire (1 pièce), clé hexagonale de serrage (1 pièce), balais en carbone (1 jet).

DESTINATION

Ce modèle de piqueur électrique est destiné à la démolition des objets et au coupage avec le trépan choisi à des régimes lourds de travail.

RÈGLES DE SÉCURITÉ LORS DE L'UTILISATION

Règles générales de sécurité

Les règles de sécurité suivantes permettront d'exploiter l'appareil d'une manière adéquate et assurer votre propre sécurité. Veuillez lire attentivement ces informations.

Si vous prêtez cet appareil à une tierce personne, veuillez lui transmettre ces instructions.

Ce manuel d'utilisation et toute autre documentation joints à cet appareil doivent être conservés en cas de nécessité.

Suivez les recommandations indiquées sur les étiquettes de l'appareil.

Avant d'utiliser l'appareil, lisez attentivement les principes de contrôle de celui-ci et assurez-vous qu'il sera utilisé comme prévu et que vous pourrez le débrancher, le cas échéant.

En outre, le respect de ces règles simples vous permettra de garder l'appareil en bon état.

- Avant de l'utiliser, assurez-vous que l'appareil est correctement assemblé.
- Utilisez l'appareil uniquement pour son usage prévu.
- Vous trouverez sur l'appareil des précautions à prendre ou des symboles indiquant les mesures de précaution. Des accidents peuvent être évités grâce au bon sens, à l'attention et la préparation nécessaire de ceux qui effectuent l'exploitation, transport, maintenance, service technique et stockage de l'appareil.
- Ne laissez pas l'appareil sans surveillance.
- Conserver hors de la portée des enfants. Assurez-vous que les enfants ne joueront pas avec.
- L'appareil doit être inaccessible aux enfants et animaux domestiques. Assurez-vous que tout le monde se trouve à une distance de sécurité lorsque l'appareil est branché.
- N'oubliez pas que lorsque l'instrument est en marche, son utilisateur est responsable de la sécurité des autres.
- L'utilisation de cet appareil est interdite aux personnes n'ayant pas lu ces instructions ; les enfants, les personnes qui n'ont pas atteint l'âge de travailler avec ce type d'appareil; les personnes sous l'emprise de l'alcool, de drogues ou de médicaments. L'âge des utilisateurs peut être limité par la législation locale.



ATTENTION! La consommation d'alcool, de drogues ou de médicaments, la fièvre ou la fatigue peuvent nuire à votre capacité à réagir. Ne pas utiliser l'appareil dans les états mentionnés ci-dessus.

- Assurez-vous que tous les dispositifs de protection (le cas échéants) sont installés et en bon état.
- Il est interdit d'utiliser l'appareil comportant des défauts ou sans dispositif de protection ou coffres (si prévus).
- Assurez-vous que l'appareil ne comporte pas d'éléments endommagés ou non alignés (par exemple, vis, écrou, boulon, etc.). Vérifiez régulièrement que tous les vis et écrous soient bien serrés – ce qui garantit la sécurité nécessaire du travail avec l'appareil. Si nécessaire, remplacez ces pièces avant de commencer à travailler. Les défauts de l'appareil peuvent causer des blessures graves à l'utilisateur, ainsi qu'aux autres personnes.
- Portez des vêtements appropriés lorsque vous travaillez avec l'appareil. Ne mettez pas de vêtements trop amples ni de bijoux pouvant s'accrocher aux parties mobiles de l'appareil. Portez des vêtements adéquats pour le travail. Les vêtements et les chaussures doivent entièrement recouvrir les jambes pour les protéger contre d'éventuels fragments tombés. Ne travaillez pas les pieds nus ou en sandales ouvertes. Il est conseillé d'attacher les cheveux longs.
- Les manches et les manchons de l'appareil doivent être propres, secs et sans huile.
- Utilisez les moyens nécessaires de sécurité personnelle. Portez des gants et des lunettes de protection. Si vous travaillez avec les matériaux pulvérisés ou en cas d'apparition de gaz d'échappement, mettez le respirateur. Si nécessaire, utilisez des chaussures à semelle antidérapante, un casque et des oreillettes. Si le niveau sonore dépasse 85 dB(A), il est indispensable d'utiliser des moyens de protection auditifs.



ATTENTION! Utilisez les moyens de protection individuelle ! Les dispositifs de protection et les moyens de protection individuelle préservent votre santé et celle d'autrui, et assurent l'exploitation de l'appareil sans panne.

- N'embrayez pas l'appareil s'il n'est pas sur la bonne position ou pas encore en état d'être utilisé.
- Choisissez une position stable. Surveillez la position des jambes et l'équilibre lors du travail.

- Assurez-vous que l'emplacement de travail est propre. Le désordre et la saleté peuvent causer des dommages. Enlevez tous les objets inutiles de la zone de travail et veillez à ce qu'ils ne s'y trouvent pas lors de l'exploitation de l'appareil.
- Evitez les surcharges de l'appareil.
- Effectuez les travaux uniquement à la lumière du jour ou avec suffisamment d'éclairage artificiel. Il est interdit d'utiliser l'appareil dans des endroits obscurs.
- Soyez vigilant – évitez la chute et les chocs de l'appareil.

ATTENTION! Restez vigilant. Prenez garde à ce que vous faites. Vous risquez de perdre le contrôle si vous êtes inattentif. Faites preuve de bon sens.

Règles de sécurité électrique

AVERTISSEMENT! Si vous respectez les règles de sécurité lorsque vous travaillez avec des appareils électriques, vous éviterez tout choc électrique, accident et incendie. Lisez attentivement ces règles avant de commencer à travailler avec l'appareil et respectez-les soigneusement.

- Pour une meilleure sécurité électrique, il est recommandé d'utiliser le disjoncteur à sensibilité différentielle inférieure à 30 mA. Vérifiez le disjoncteur à chaque utilisation. Consulter un électricien digne de confiance.



AVERTISSEMENT! L'utilisation du disjoncteur ou de tout autre dispositif de déclenchement automatique ne dispense pas l'utilisateur de respecter les règles de sécurité et de pratique du travail présentées dans ce manuel d'utilisation.

- La tension du secteur doit correspondre à celle indiquée sur l'étiquette et dans ce manuel d'utilisation. N'utilisez pas d'autres sources d'alimentation.
- Avant de connecter l'appareil à la prise secteur, vérifiez si elle est en bon état et si ses paramètres correspondent à ceux indiqués dans le tableau de l'appareil.
- Lors du fonctionnement de l'appareil, évitez tout contact avec des objets mis à la terre tels que les câbles, radiateurs, cuisinières et réfrigérateurs. Le risque de choc électrique est accru lorsque le corps est mis à la terre.



ATTENTION! Le contact avec des éléments sous tension électrique peut causer un choc électrique, des brûlures voire entraîner la mort.

- Ne débranchez jamais l'appareil en tirant sur le cordon.
- N'abîmez pas le cordon. Conservez le cordon à l'abri de la chaleur, de l'huile, d'objets tranchants et de pièces en mouvement.
- Veillez toujours au bon état du cordon de raccordement.
- N'utilisez pas l'appareil électrique près de liquides inflammables et de gaz.
- Débranchez l'appareil du réseau électrique avant de le transporter dans un autre endroit.



ATTENTION! Débranchez l'appareil du réseau électrique avant de déconnecter la cheville de contact ou la rallonge.

- Ne portez pas l'appareil électrique au-dessus de la rallonge. Soyez vigilant et veillez toujours à savoir où se trouve le cordon.
- Ne raccordez pas vous-même la rallonge à l'appareil. Ramenez-le au Centre de service technique agréé le plus proche.
- A des fins de sécurité, le cordon endommagé doit être remplacé uniquement par le fabricant, son représentant ou une personne qualifiée.
- En cas de dommage ou de cordon sectionné, débranchez tout de suite l'appareil du réseau électrique.



AVERTISSEMENT! RISQUE DE CHOC ELECTRIQUE!

Prenez en considération les conditions de travail. Il est interdit d'embrayer l'appareil sous la pluie. Ne pas l'utilisez dans des conditions défavorables (humidité, eau). Le lieu de travail doit être propre et bien éclairée. N'exposez pas l'appareil à l'humidité. Ne pas le laissez dehors pendant la nuit. La pénétration d'eau dans cet appareil électrique augmente le risque de choc électrique.

- Vérifiez régulièrement que le cordon électrique soit en bon état. Avant de commencer à travailler, vérifiez s'il n'est pas endommagé ou ne présente pas de traces d'usure. Si l'état de la rallonge n'est pas satisfaisant, ne branchez pas l'appareil. Ramenez-le au Centre de

service après-vente.

- Pour les travaux à l'extérieur, utilisez la rallonge spécialement conçue à cet effet, comme indiqué sur l'étiquette – pour les travaux à l'extérieur. Lors du fonctionnement de l'appareil, le cordon doit se trouver en dehors de la zone de travail, derrière l'utilisateur. Conservez le cordon à l'abri des surfaces chaudes, huileuses, humides ou des matériaux inflammables.
- Pour éviter tout démarrage accidentel : avant de brancher l'appareil, assurez-vous que son interrupteur (le cas échéant) se trouve en position 'arrêt/off'.
- Retirez les clés de réglage avant de mettre l'appareil en marche.
- N'utilisez pas l'appareil si son interrupteur est en panne (il ne peut embrayer ou débrayer). Tout appareil ayant un interrupteur hors service est dangereux et doit être immédiatement réparé.



AVERTISSEMENT! L'utilisation d'appareils électriques peut provoquer l'apparition de poussière cancérogène.

Voici certaines sources: plomb de peinture en contenant, silice cristalline de brique, de ciment et d'autres matériaux de maçonnerie, arsenic et chrome de bois traité par des produits chimiques. Si de la poussière apparaît lors du travail, le degré de son influence néfaste dépend de la fréquence des travaux effectués.

Afin de diminuer l'influence de ces éléments chimiques sur l'organisme, il est important d'effectuer des travaux avec des matériaux produisant de la poussière dans des espaces bien aérés et avec des moyens de protection nécessaires tels que des respirateurs spéciaux pour le travail en présence de microparticules.

- En cas de choc extérieur à l'appareil, avant de redémarrer et continuer le travail, vérifiez bien qu'il ne soit pas endommagé et effectuez les réparations nécessaires, le cas échéant.
- Si l'appareil commence à trop vibrer, arrêtez-le immédiatement et trouvez-en la cause. La vibration annonce très souvent une future défaillance.
- Eteignez l'appareil et attendez l'arrêt total vous devez vous en éloigner, avant d'effectuer des réparations, remplacer des accessoires, toute vérification, nettoyage, résolution de problèmes ou manipulation sur l'appareil.
- Il est interdit de remplacer ou changer toute pièce interne de l'appareil.

Règles particulières de sécurité

- Mettez le casque (casque de protection), les lunettes de protection et/ou le masque de protection (les lunettes



ordinaires ainsi que les lunettes de soleil NE sont pas lunettes de protection). Ces lunettes protégeront les yeux des éclats du matériel qui pourraient être jetés dans le visage ou les yeux.

- Certains matériaux contiennent les éléments chimiques qui peuvent être toxiques et provoquer les problèmes de respiration à cause de la poussière ou du gaz se produisant lors du coupage du matériel. Faites attention que la poussière ne se trouve pas dans les poumons ou sur la peau. Mettez le masque de protection de poussière et de gros gants de protection.

- Utilisez les gros gants amortissants et limitez le temps de l'influence nuisible du piqueur en faisant des pauses régulières dans le travail. La vibration du piqueur en marche peut endommager vos mains.

- Mettez le casque contre-bruit lors du travail avec le piqueur. Une longue influence du bruit de haute intensité peut provoquer la perte de l'ouïe.

- Lors des travaux à la hauteur, vérifiez bien qu'il n'y ait personne sur le territoire du-dessous et à la proximité dangereuse de la zone de travail.

- Ne dirigez jamais le piqueur vers les gens se trouvant près de la zone de travail. Le trépan peut tomber et blesser la personne.

- Avant de commencer le travail, assurez-vous que le trépan est bien fixé dans le piqueur.

- La vibration du piqueur dans les conditions normales de travail est prévue. D'ailleurs, les vis peuvent s'affaiblir lors de la vibration, provoquer la panne du piqueur ou un accident. Vérifiez bien si les vis sont bien serrés avant de commencer le travail.

- S'il fait froid, il est conseillé de réchauffer un peu le piqueur avant le travail en le mettant en marche vide. Cela délaye le huilage de l'outil. Sans le réchauffement nécessaire l'outil fonctionnera mal.

- Tenez bien l'outil avec vos deux mains.

- Utilisez la manche auxiliaire entrant dans les dispositifs de l'outil. Tenez le piqueur par les deux manches, pour le meilleur contrôle de l'outil. Ne travaillez jamais en tenant le piqueur par une seule manche. Le travail provoque un rebondissement très fort et tenant l'outil par une seule manche vous risquez d'en perdre le contrôle. La perte de contrôle peut provoquer le traumatisme.

- Tenez l'outil par les manches isolées, lors des travaux où le piqueur en marche peut toucher aux lignes de télécommunications cachées ou à son propre câble. Si le piqueur touche aux câbles sous tension, ses parties métalliques pourront également être sous tension et provoquer le choc électrique.

- Vérifiez toujours si vos pieds sont bien posés sur la base solide.

- Lors du travail installez-vous de la façon que le piqueur ne soit pas coincé entre les murs ou les colonnes. Si le trépan se trouve coincé ou bloqué lors du travail, le rebondissement provoqué peut blesser la main ou le pied de l'utilisateur.

- Ne percez ni cassez avec l'outil les murs construits ou toutes autres zones aveugles où les files électriques peuvent se trouver. Au cas où une telle sorte de travail est nécessaire, débranchez et déconnectez tous les coupe-circuit et les interrupteurs faisant passer l'alimentation électrique par la zone de travail.

- A l'aide du détecteur de fer déterminez la position des tubes de canalisation d'eau ou de gaz se trouvant dans les zones de travail, ou appelez la compagnie locale chargée des communications ingénieries. Le coup du trépan ou la coupe de la ligne peuvent provoquer l'explosion. L'eau coulée sur l'outil électrique peut provoquer un choc.

- N'utilisez pas les trépan et les accessoires endommagés ou obtus. Les trépans endommagés ou obtus risquent d'être coincés dans l'objet à travailler.

- Gardez vos mains loin des parties mobiles de l'outil.

- Ne laissez pas l'outil en marche de vos mains. Faites les travaux en tenant bien l'outil avec vos deux mains.

- Ne mettez jamais le piqueur sur le plancher avant l'arrêt absolu du moteur.

- Ne touchez pas au piqueur ni aux détails se trouvant près de l'outil juste après la fin des travaux; ces détails peuvent être très chauds et provoquer les brûlures de la peau.

- En enlevant le trépan du piqueur éviter son contact avec la peau, utilisez les gants de protection convenables pour prendre le trépan ou les accessoires. Les détails peuvent se réchauffer beaucoup après un long fonctionnement.

DÉBALLAGE

Lors du déballage, vérifiez bien si toutes les pièces et les dispositifs sont inclus. Regardez les dessins techniques présentés dans ce manuel d'utilisation. En cas de dommage ou absence de pièces quelconques, nous vous prions de vous adresser au centre de service après-vente IVT.

COMMENCEMENT DU TRAVAIL

Assurez-vous que la tension correspond aux conditions c'est à dire aux paramètres indiqués dans le tableau des données de la plaque d'identification de l'appareil.

MANCHE AUXILIAIRE (3)



ATTENTION! Débranchez toujours l'outil avant de commencer son ajustement.

Pose de la manche auxiliaire (3)

A des raisons de sécurité utilisez toujours la manche auxiliaire (3) lors des travaux avec le piqueur électrique. La manche auxiliaire permet d'assurer la meilleure stabilité lors du travail.

La manche auxiliaire peut être posée dans toute position nécessaire:

1. Desserrez le vis de la manche auxiliaire (4) [F1].
2. Tournez la manche auxiliaire (3) à la position la plus confortable pour le travail.
3. Serrez le vis de la manche auxiliaire (4).

REPLACEMENT DU TRÉPAN

Pose du trépan [F2]

1. Avant de poser le trépan, nettoyez-le et mettez une couche fine d'huilage sur la barre de l'instrument.
2. Retirez le boulon de blocage (5) le plus possible, tournez-le à 180° et puis laissez-le.
3. Mettez le trépan dans le mandrin (6) et poussez-le le plus loin possible.
4. Retirez le boulon de blocage (5) de nouveau le plus possible, tournez-le à 180° à l'autre sens et puis laissez-le.
5. Vérifiez si le trépan est bien fixé en essayant de le tirer.

Enlèvement du trépan

- Faites les opérations suscitées dans l'ordre inverse afin d'enlever le trépan de l'outil.

EMBRAYAGE ET DÉBRAYAGE [F3]

Avant l'embrayage du piqueur électrique utilisez le détecteur de fer ou de câbles pour déterminer la position des tubes de canalisation d'eau ou de gaz se trouvant dans les zones de travail.



ATTENTION! Afin d'éviter le risque, tenez le piqueur seulement par la manche principale (1) et la manche auxiliaire (3). Sinon vous risquez d'avoir un choc électrique au cas du coup du piqueur dans la ligne d'alimentation électrique.

Embrayage

Pressez et fixez l'interrupteur «Marche/Arrêt» (2) dans cette position (2).

Débrayage

Laissez l'interrupteur «Marche/Arrêt» (2) de la position pressée.

INFORMATION UTILES



ATTENTION! Une légère pression sur la surface de l'objet à travailler est suffisante pour le fonctionnement du piqueur. La pression excessive en contact avec l'objet provoquera une surcharge inutile du moteur.

Aguisage du trépan

Seulement le trépan bien aiguisé peut assurer les meilleurs résultats de travail. En conséquent le trépan doit être régulièrement aiguisé pour assurer un travail efficace et long.

Examinez régulièrement le trépan. Changez ou aiguissez l'instrument obtus.

MAINTENANCE ET STOCKAGE



ATTENTION! Avant de commencer toute manipulation avec l'appareil, débranchez-le.

- Assurez-vous que l'appareil et les ouvertures de ventilation soient propres. Le nettoyage et le service technique réguliers assureront un rendement important et augmenteront la durée de vie de votre appareil.
- Si un appareil de bonne qualité, rigoureusement testé à l'usine tombe malgré cela en panne, la réparation ne doit être confiée qu'au service clientèle IVT.
- Les vis, écrous et boulons doivent être bien serrés – ceci garantit la sécurité et le bon fonctionnement de l'appareil.
- Pour votre sécurité, remplacez les pièces usées ou endommagées.
- Utilisez uniquement les pièces d'origine du fabricant. Sinon leur assemblage sera difficile ce qui pourra causer des dommages.
- Conservez l'appareil dans un endroit sec et inaccessible aux enfants, loin des matériaux inflammables.
- Il est interdit de mouiller l'appareil et d'y verser de l'eau!

Contrôle de l'huile

Vérifiez le niveau d'huile avant de commencer le travail avec l'outil:

- Mettez le piqueur sur le plancher de la façon que le mandrin (6) se trouve en bas. Le niveau d'huile doit être au moins de 3 mm plus haut que le bord inférieur de la fenêtre de contrôle (7).



Vidange d'huile [F4]

L'huile doit être changée toutes les 40-50 heures de travail environ.

1. Débrayez le piqueur et débranchez-le du courant électrique.
2. Dévissez le vis à six pans avec la fenêtre de contrôle (7) à l'aide de la clé fermée (8) et faites couler l'huile. Afin d'éviter la fuite incontrôlée de l'huile, tenez un petit caniveau métallique sous l'orifice de vidange et ramassez toute l'huile coulant de l'orifice dans un réservoir.

Attention! L'huile usée doit être utilisée dans les services spéciaux d'accumulation de l'huile usée.

3. Versez l'huile fraîche par l'orifice de vidange (7) jusqu'au niveau nécessaire.
4. Mettez et serrez de nouveau le vis à six pans et la fenêtre de contrôle (7).
5. Après un certain temps de travail vérifiez de nouveau le niveau d'huile dans l'outil.

PROTECTION DE L'ENVIRONNEMENT



Le recyclage des matières premières pour une réutilisation est mieux que de les jeter.

L'appareil, les dispositifs et l'emballage sont triés pour être recyclés tout en protégeant la nature.

Les éléments en plastique sont classés pour le recyclage. Ce manuel est imprimé sur du papier recyclé sans utilisation de chlore.



ATTENTION ! IL EST INTERDIT DE REPARER L'ARTICLE PAR SES PROPRES MOYENS ET DISSIMULER CE FAIT ! Seulement le centre de service autorisé IVT a le droit d'exécuter la réparation et l'entretien élargi. Il est interdit de modifier la construction interne de l'article ! CES ACTIONS PEUVENT ANNULER LES OBLIGATIONS DE GARANTIE ET CAUSER LES ENDOMMAGEMENTS ET LES BLESSURES GRAVES.



tools for every use

IVT SWISS SA

Via Cantonale, 2
CH-6917 - Barbengo
Switzerland

tel.: +41 (0) 91 6000 555
fax: +41 (0) 91 6000 557
e-mail: info@ivt-ht.com
web: www.ivt-ht.com

КАЗАХСТАН

ТОО “Костанай ІVТ”

ул. Целинная, д.4
110000 г. Костанай | Казахстан

тел.: +7 (7142) 280 700, -701, -702
e-mail: info@ivt.kz
web: www.ivt.kz

ТОО “ІVТ Казахстан”

ул. Гоголя, 49
100000 г. Караганда | Казахстан

тел.: +7 7212 920 999
моб: +7 705 972 30 40
e-mail: ivt.kz@mail.ru
web: www.ivt-kz.kz

РОССИЯ

ООО “ІVТ РУС”

проспект Зелёный, дом3, корпус 3, офис 17
111141 г. Москва | Россия

тел: +7 495 767 87 69
моб: +7 985 993 06 48
e-mail: ivt.rus@inbox.ru
web: www.ivtrus.ru

ООО “ІVТ РУС”

ул. Тайгинская, дом 2, офис 24
630129 г. Новосибирске | Россия

тел: +7 383 239 49 94
моб: +7 913 378 88 00
e-mail: ivt.rus@mail.ru
web: www.ivtrus.ru

ООО “ІVТ УРАЛ”

ул. Болейко, 2а
454084 г. Челябинск | Россия

тел: +8 351 247 98 65
моб: +7 951 817 4124
e-mail: ivt-s@mail.ru

