



www.ivt-ht.com | tools for every use



EN	Jig saw	6 - 11	PL	Wyrzynarka	30 - 35
DE	Stichsäge	12 - 17	BE	Машинная нажоўка	36 - 41
RU	Лобзик	18 - 23	IT	Seghetto alternativo	42 - 47
KZ	Машиналық қол ара	24 - 29	FR	Scie mécanique alternative	48 - 53



JS-400

**EN****CONGRATULATION!**

Dear customer,

IVT team would like to thank you for your choice and for the confidence you put in our product.

Our aim is always to offer an innovative, high-class-strong and prize-adequate product to the customer.

We wish you'll get much satisfaction from all your do-it-yourself activities, by using this tool.

Your IVT Swiss SA Team

NOTE: Illustrations, figures, photos and contents might vary slightly due to our program of continuous product improvements.

DE**WIR GRATULIEREN!**

Sehr geehrter Kunde,

das Team der Firma IVT dankt Ihnen für Ihr Vertrauen und für die Wahl unserer Produktion.

Wir streben danach, damit unsere Kunden die Möglichkeit haben, nur moderne, feste und hochwertige Produkte zu benutzen.

Wir hoffen, dass mit unseren Werkzeugen Sie ein wirkliches Vergnügen von der Arbeit bekommen.

Mit freundlichen Grüßen, Team IVT Swiss SA

ANMERKUNG: Bilder, Mengenangaben, Fotos und der Inhalt der Anleitung können sich kraft der ständigen Nacharbeit unserer Produktion verändern.

RU**ПОЗДРАВЛЯЕМ!**

Уважаемый Покупатель,

Коллектив компании IVT благодарит вас за оказанное доверие и выбор в пользу нашей продукции.

Мы стремимся к тому, чтобы у наших покупателей была возможность пользоваться только современными, прочными и высококачественными продуктами.

Надеемся, что с нашими инструментами вы получите истинное удовольствие от работы.

С уважением, коллектив IVT Swiss SA

ПРИМЕЧАНИЕ: Рисунки, количественные данные, фотографии и содержание инструкции могут изменяться в силу постоянного усовершенствования нашей продукции.

KZ**ҚҰТТЫҚТАЙМЫЗ!**

Құрметті сатып алушы,

IVT компаниясының ұжымы Сізге бізге сенім артқаныңыз үшін және біздің өнімimizi таңдағаныңыз үшін алғыс білдіреді.

Біз Сіздерге инновациялық, жоғарғы классты және жоғары сапалы өнімді тиімді бағамен ұсынуға үнемі ұмтылып келеміз.

Біздің құралдарыңызбен сіз өз жұмысыңыздан рахаттанасыз деп үміттенеміз.

Ізгі ниетпен, IVT Swiss SA ұжымы

ЕСКЕРТУ: Суреттер, сандық мәліметтер және нұсқаудың мазмұны біздің өнімнің үздіксіз жетілуіне байланысты өзгеруі мүмкін.



PL GRATULUJEMY!

Szanowny Kliencie,

Załoga firmy IVT dziękuje Państwu za okazane zaufanie i wybranie naszego produktu. Dążymy do tego, aby nasi klienci mieli możliwość użytkowania jedynie nowoczesnych, trwałych i wysokojakościowych produktów.

Mamy nadzieję, że używając naszych narzędzi będziecie Państwo mieć prawdziwą satysfakcję z pracy.

Z poważaniem, załoga IVT Swiss SA

UWAGA: Rysunki, dane ilościowe, fotografie i treść instrukcji mogą ulegać zmianom z powodu doskonalenia naszych produktów.

IT CONGRATULAZIONI!

Gentile cliente,

L'azienda IVT desidera ringraziarLa per la scelta e per la fiducia dimostrata nel nostro prodotto.

Il nostro obiettivo è offrire sempre prodotti innovativi che garantiscano un adeguato rapporto qualità/prezzo.

Le auguriamo che i suoi lavori di bricolage possano diventare un piacere, utilizzando il nostro prodotto.

La squadra IVT Swiss SA

Nota: illustrazioni, figure, foto e contenuti potrebbero variare leggermente a causa del nostro programma di continuo miglioramento del prodotto.

BE ВІНШУЕМ!

Паважаны Кліент,

Кампанія IVT дзякуе Вам за выбар і давер, аказаны нашай марцы. Наша мэта - заўсёды прапаноўваць Вам інавацыйны, якасны інструмент па прымальнай цане.

Спадзяемся, што з нашымі інструментамі вы атрымаеце задавальненне ад працы.

Кампанія IVT Swiss SA

НАПАТКА: Малюнкi, колькаснiя дадзеныя, фатаграфii i ўтрыманне iнструкцii могуць змяняцца ў сiлу сталага ўдасканалення нашай тавараў

FR FÉLICITATIONS!

Cher client,

Le personnel de l'entreprise IVT vous remercie pour votre choix et la confiance que vous portez à nos produits. Notre objectif est d'offrir à nos clients le plus moderne des produits, le plus sûr et de meilleure qualité à un prix raisonnable.

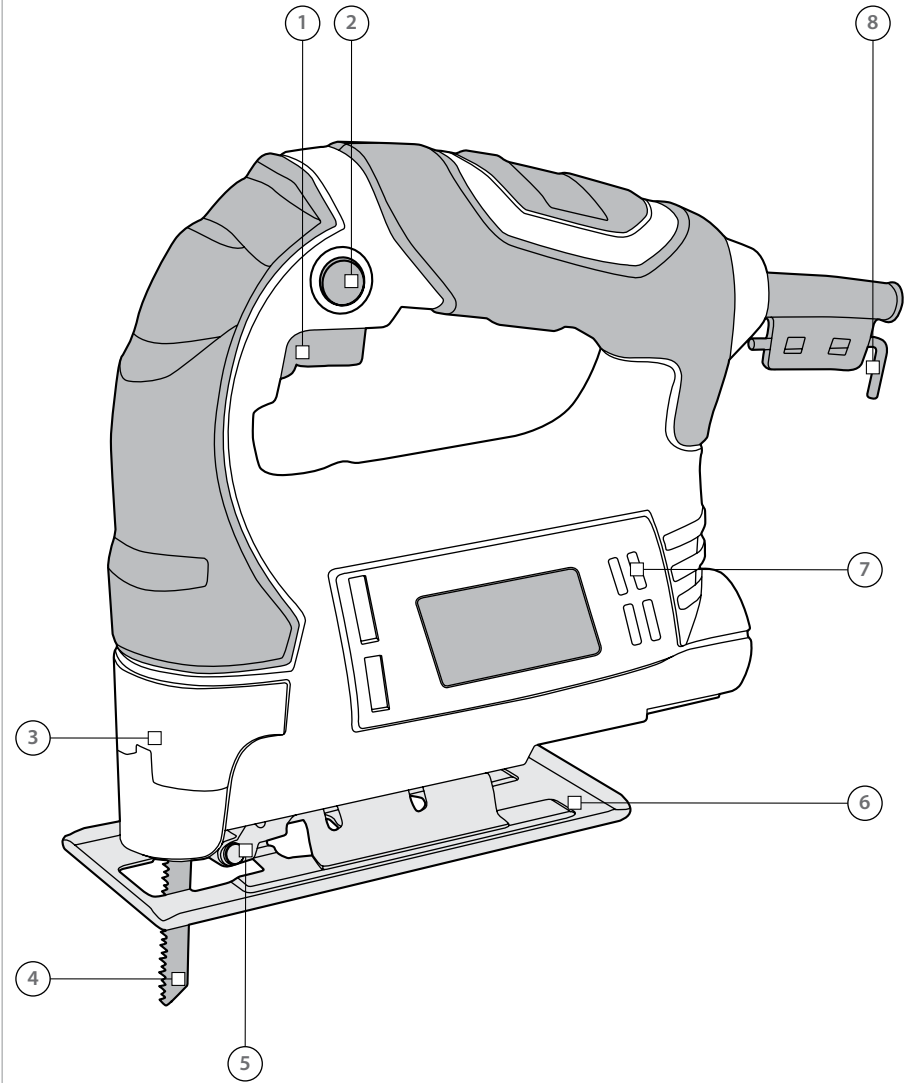
Nous souhaiterions que votre travail manuel soit, grâce à notre appareil, un véritable plaisir.

Le personnel de l'entreprise IVT Swiss SA est toujours à votre disposition.

REMARQUE: Les images, observations quantitatives, photographies et le contenu du manuel peuvent sensiblement changer du au perfectionnement permanent de notre produit.

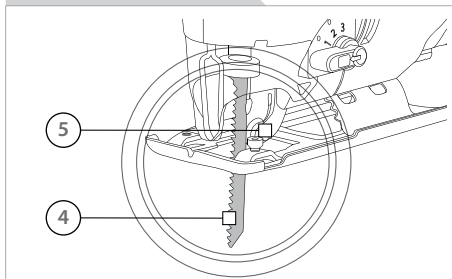


JS-400

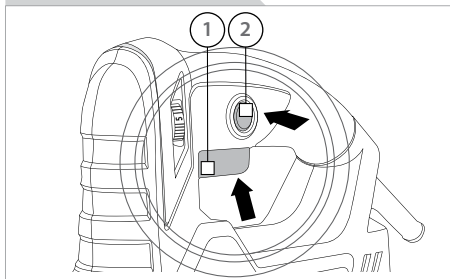




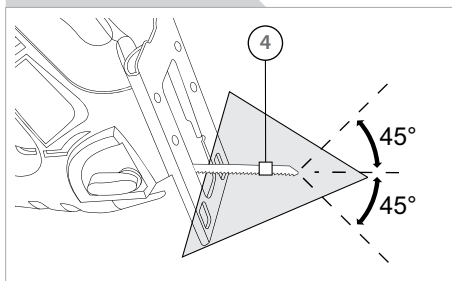
[F1]



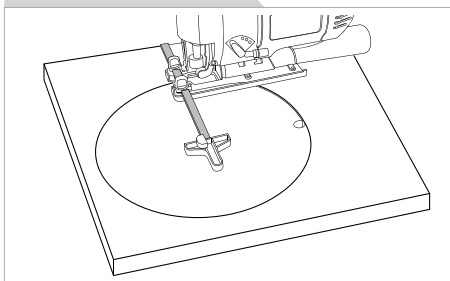
[F2]



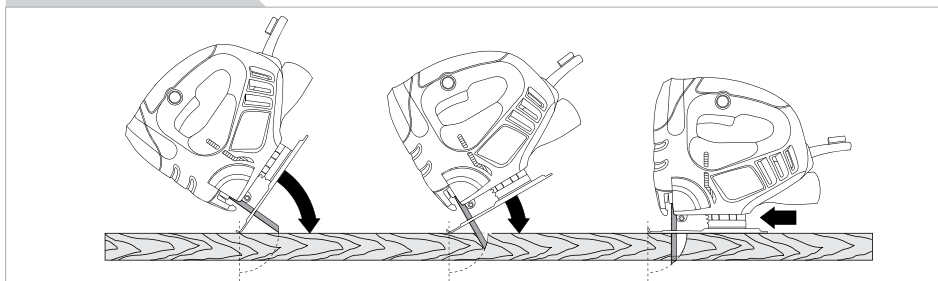
[F3]



[F5]



[F4]



TOOL SPECIFICATIONS

Model	JS-400
Voltage ~ Frequency [V ~ Hz]	230 ~ 50
Rated power [W]	400
Stroke rate at no load [SPM]	3000
Cutting ability in wood [mm]	55
Cutting ability in aluminium [mm]	10
Cutting ability in steel [mm]	6
Vibration level [m/s ²]	WOOD: 7.3 (K=1.5) STEEL: 11.1 (K=1.5)
Sound pressure level [dB(A)]	85 (K=3)
Sound power level [dB(A)]	96 (K=3)
Weight [Kg]	1.7
Safety class	II

PART LIST

1. On / Off switch
2. Lock-on button
3. Front guard
4. Saw blade
5. Guide roller
6. Base plate
7. Ventilation slots
8. Hex key

CONTENT OF THE BOX

Instruction manual (1 pc), saw blade (1 pc), hex key (1 pc).

INTENDED USE

This tool is intended for sawing wood, plastic and aluminum materials. Thanks to the wide range of accessories and saw blades available as optional extra, this machine can be used for many applications and it enables also to obtain curved or circular cuts.

SAFETY REGULATION FOR THE USE

General safety rules

The following listed safety instructions should serve you for the right use of the tool and for the protection of your own safety, therefore, please read this very carefully.

When passing this tool to a third person, these instructions must be handed too.

Retain this user's manual and all other literature supplied with your tool for any future reference.

Comply with all the safety information and the warnings

on the tool.

Be familiar with the controls and the proper use of the tool before attempting to use it and above all, make sure you know how to stop to use it in case of emergency.

Following these simple instructions will also maintain your tool in good working order.

- The tool must be assembled correctly before use.
- Only use the tool for its designed purposes.
- On the tool, there may be also decals and further indications about the safety equipment to use that must be considered. The prevention of accidents is dependent upon the awareness, common sense and proper training of everyone involved in the operation, transport, maintenance and storage of the tool.
- Never leave the tool unattended.
- Never allow children to use the tool. Children should be supervised to ensure that they do not play with the tool.
- Keep children and pets away. All onlookers should be kept at a safe distance away from the tool when it is in use.
- The user is responsible for third parties while working with the tool.
- People who aren't acquainted with the operating instructions, children, juveniles who have not yet reached the minimum age for using this tool and people under the influence of alcohol, drugs or medication are not allowed to use the tool. Local regulations may restrict the age of the operator.



WARNING! The consumption of alcohol, medication and drugs, plus states of illness, fever and fatigue will affect your ability to react. Do not use this tool in any of these situations.

- Make sure that all the protective devices (if present) are fitted and are in good condition.
- Never operate the tool with defective safety devices or guards (if present), or without safety devices in place.
- Inspect the entire tool to look for loose parts (e.g. nuts, bolts, screws, etc.) and for any damage. Check at frequent intervals if screws and bolts (if present) are properly tight to be sure the equipment is in safe working condition. Repair or replace them, if necessary, before using the tool. Serious injury to the operator and to the bystanders could result if there's any damage to the tool.
- While using the tool, dress properly. Do not wear loose clothing or jewelry that could become caught by the tool. Wear suitable working clothes. It is recommended that legs and feet are covered, to protect them from eventual flying debris. Do not work barefoot or wearing open sandals. Long air should be tidied back.
- Keep handles and grips dry, clean and free from oil and grease.
- Use proper protective equipment. Use safety glasses and safety gloves. Also use a dust mask during pulverulent operations or if exhaust gases are present. When necessary, use also non-slipping boots or shoes, hardhat and earplugs. If the noise level exceeds 85 dB(A), ear protection is obligatory.



WARNING! Use personal protective equipment! Safety devices and personal protective equipment protect your own health and the health of others and ensure a trouble-free operation of the tool.

- Do not start to use the tool if it is in an inverted position or it is not in the right working order.
- Ensure that you have a good stand, while you operate with the tool. Keep proper footing and balance at all times.
- Keep work area clean. Cluttered areas invite injuries. Before use, all foreign bodies must be removed from the working area, also pay attention to foreign objects during operation.
- Do not force the tool.
- Only work in daylight or sufficiently good artificial

light. Never operate the tool without good visibility.

- Be careful not to drop the tool or hit it against obstacles.

ATTENTION! Stay alert. Watch what you are doing. Distraction can cause you to lose control. Use common sense.

Electrical safety rules

ATTENTION! When using electrical tools, the following safety instructions should be observed to prevent the risk of electric shock, personal injury and fire. Read and observe these instructions carefully before using the tool.

- It is recommended for increased electrical safety to use a Residual Current Device (RCD) with a tripping current of not more than 30 mA. Always check your RCD every time you use it. Consult a reliable electrician.



WARNING! The use of an RCD or other circuit breaker unit does not release the operator from the safety instructions and safe working practices given in this manual.

- The main voltage must correspond to the one marked on the labels and on this manual. Do not use other sources of power.
- Before inserting the plug in the main socket, make sure that the socket ratings are correct and correspond to those indicated on the rating label on the appliance.
- Avoid body contact with grounded surfaces such as pipes, radiators, ranges and refrigerators. This increases risk of electric shock if your body is grounded.



CAUTION! Touching electrified parts may cause death by electric shock or burn.

- Never move the appliance by pulling at the cables.
- Do not abuse the cord. Keep it away from heat, oil, sharp edges or moving parts.
- Always guide the connection line safely.
- Do not use power tools near flammable liquids or gases.
- Always disconnect the appliance from the mains supply before transporting it to other places.



CAUTION! The appliance should always be switched off at the mains before disconnecting any plug and socket connector or extension cables.

- Never pass the appliance over its own cord or extension cable, while the tool is working. Make sure you always know where the cable is.
- Do not wire a power cable directly into your device yourself. Instead, take the device to your nearest authorized Service Center.
- To avoid danger, damaged power cord should be replaced by manufacturer or its agent, or similar qualified person.
- Immediately unplug the tool when its cable is damaged or cut.



ATTENTION! DANGER OF ELECTRIC SHOCK!

Consider working area environment. Do not expose power tools to rain. Do not use power tools in damp or wet locations. Keep work area well lit and dry. Try to prevent the device from getting wet or being exposed to humidity. Do not leave it outside overnight. Water entering a power tool will increase the risk of electric shock.

- The power supply cable should be checked regularly and, before using it, make sure the cable is not damaged or worn out. If the cable is not in good condition, do not use the appliance; take it to an authorized service Center.
- When tool is used outdoor, only use an extension cable that is suitable for outdoor use and which is marked for this specific use. Keep it away from the working area, from damp, wet or oily surfaces and away from heat and flammable materials.
- Avoid any accidental starting: make sure that the power switch (if present) is in the «off» position, before plugging the tool in.
- Remove adjusting keys or wrenches before turning the tool on.
- Do not use the tool if the switch does not turn the tool on or off. Any tool that cannot be controlled with the switch is dangerous and must be repaired.



WARNING! During the use of certain power tools, some dust containing chemicals known to cause cancer, may occur.

Some of these chemicals are: lead from lead based

paints, crystalline silica from bricks and cement and other masonry products, arsenic and chromium from chemically treated lumber and other dangerous products. If dust is present, your risk from these exposures varies, depending on how often you do this type of work. **To reduce your exposure to these chemicals, any time you do pulverulent operations, work in a well ventilated area and work with approved safety equipment, such as dust masks that are specially designed to filter out microscopic particles.**

- If the appliance strikes a foreign body, examine the device for signs of damage and carry out any necessary repairs before restarting and continuing to work.
- If the appliance starts to vibrate abnormally, turn it off and check for the cause immediately. Vibration is generally a warning of trouble.
- Always switch off the appliance and wait until the device completely stops whenever you leave the machine, before carrying out maintenance, before changing accessories, checking, cleaning, troubleshooting or working on the appliance.
- It is forbidden to move or modify any of the internal parts of the device.

Specific safety rules

- Never cut materials containing asbestos because they may generate dust dangerous to your health.
- To reduce your exposure to harmful chemicals that may be content in materials you're working on: work in a well ventilated area and work with approved safety equipment, such as dust masks that are specially designed to filter out microscopic particles. Connect a dust extraction device to the tool.
- Use clamps or other practical way to secure and support the workpiece to a stable platform. Holding the work by hand or against your body is unstable and may lead to loss of control. Don't work on any workpiece that is too small to clamp in place.
- Never cut or saw in concealed areas where there may be electric gas, or water lines. Use a suitable detector to find such lines.
- Keep the cutting path free of obstacles, both above and below.
- Be aware of the location and setting of the lock-on button. If the switch is locked "ON" during the use, be ready for emergency situations to switch it "OFF", by first pulling the on-off switch then immediately releasing it without pressing the lock-on button.
- The base plate must rest securely on its entire surface.
- When working, never move your hand or finger ahead of the saw blade.
- Tool can chatter or vibrate if blade speed is too slow at beginning of cut and possibly kickback.
- Always pull out the mains plug before changing the



saw blade and/or adjusting the base plate.

- Use only sharp, flawless saw blades. Replace immediately cracked, bent or dull cutting tools.
- The saw blade must be locked in its mount absolutely securely. Check every time it is securely seated.
- When removing the saw blade from the tool avoid contact with skin and use proper protective gloves.
- After switching off, do not force the saw blade to a stop by applying side pressure.

UNPACKING

When unpacking, check to make sure that all components are included. Refer to the drawings on this manual. If any parts are missing or broken, please call an IVT assistance center.

INITIAL OPERATION

Always use the correct supply voltage: the power supply voltage must match the information quoted on the tool identification plate.

INSERTING / REPLACING THE SAW BLADE (4)



ATTENTION! Before any work on the machine itself, pull the mains plug.



CAUTION! Wear gloves when you change or insert a new saw blade (4).

- Use the hex key (8) to loosen both holding screws on the stroke rod.
- When inserting the saw blade (4) (teeth in cutting direction), take care that the back of the saw blade rests in the groove of the guide roller (5).
- Tighten holding screws again. The shafts of all conventional saw blades fit in the universal saw blade holder. [F1]

SWITCHING ON / OFF

Brief Activation

Press the On/Off switch (1) and then let go again.

Continuous use [F2]

Switching On

Press On/Off switch (1) and retain with lock-on button (2).

Switching Off

Press and release On/Off switch (1).

DUST EXTRACTION



Dust extraction prevents large accumulations of dust, high concentration of dust in the ambient air and facilitates disposal.

For long periods of working with wood or for commercial use on materials that produce dust that is detrimental to health, the machine is to be connected to a suitable external dust extraction device.

OPERATING INSTRUCTIONS

Sawing

- Before sawing, make sure that the saw blade (4) is seated correctly and put the front guard (3) down as far as possible.
- The base plate (6) of the jig saw must lie securely on its entire surface.
- Do not force the saw; this cause the saw blade (4) to overheat and bend and/or break.
- If material to be cut is thin, place it on an additional board/plate to dampen vibrations and improve cutting.
- For long cuts, lubricate the guide roller (5) now and then with a few drops of oil and let the machine cool down.
- Wait until the saw blade (4) has come to a standstill before you put the device down.

Cutting angle adjustment

- To set the saw for bevel and angled cutting, undo the holding screws of the saw base with the hex key and push the base back out of its rest position.
- Set the cutting angle by angling the base to the right or to the left.
- Tighten firmly both holding-screws. [F3]

Plunge sawing



ATTENTION! Only soft materials such as wood, aerate concrete, plaster board, etc may be worked with the plunge method.

Cut-outs in wood are possible without predrilling by piercing with the running machine. This requires certain amount of practice, however, and is possible only with short saw blades.

- Place the front edge of the base plate on the workpiece and switch on.
- Press the machine firmly against the workpiece and



plunge the saw blade slowly into the workpiece.

· After reaching the required cutting depth, bring the machine again to the normal working position so that the complete surface of the base plate rests on the workpiece and continue to saw along the cutting line.

[F4]

· After completing the cut, first switch «off» the machine and then pull it out of the cut.

Circle cutting (circle cutting guide is not included)

[F5]

· Mark the circle which will be cut and drill the opening in its centre.

· If the cutting does not start from the edge of the material, drill the opening from which the cutting will start.

· Mount the circular guide on the machine.

· Slide the circular guide in order to determine the radius of cutting and lock it using the locking screws.

· Place the aligning pin in the central opening and start the cutting by moving the device over the circle.

In order to get the optimal results it is recommended to use the narrow blades.

Tool, accessories and packaging should be sorted for environment-friendly recycling.

The plastic components are labeled for categorized recycling. These instructions are printed on recycled paper manufactured without chlorine.

MAINTENANCE AND STORAGE



Before any work on the device itself, pull the mains plug.

· Always keep the tool and the ventilation slots (if present) cleaned. Regular cleaning and maintenance of the appliance will ensure efficiency and prolong the life of your tool.

· If the tool should fail despite the rigorous manufacturing and testing procedures, the repair should be carried out by an authorized IVT customer service.

· Keep all nuts, bolts, and screws tight, to be sure the tool is in safe working condition.

· Replace worn or damaged parts for safety.

· Use only original spare parts. Parts not produced by manufacturer may cause poor fit and possible injury.

· Store the tool in a dry room out of reach of kids and away from any flammable material.

· Never wet the device or spray water on it!

ENVIRONMENTAL PROTECTION



Recycle raw materials instead of disposing as waste.



ATTENTION! DO NOT ATTEMPT TO REPAIR THE PRODUCT BY YOURSELF AND DO NOT TAMPER WITH IT! Any operation of repairing or extraordinary maintenance must be carried out only by a qualified and authorized IVT Service Center. Do not try to modify any internal part of the product! **THIS WILL COMPLETELY VOID THE WARRANTY AND IT COULD CAUSE SERIOUS INJURY AND DAMAGE.**

TECHNISCHE DATEN DES WERKZEUGES

Modell	JS-400
Nennspannung ~ Frequenz [V ~ Hz]	230 ~ 50
Nennaufnahmeleistung [W]	400
Hubzahl bei Leerlauf [SPM]	3000
Schnitttiefe in Holz [mm]	55
Schnitttiefe in Aluminium [mm]	10
Schnitttiefe in Stahl [mm]	6
Vibrationsniveau [m/s ²]	HOLZ: 7.3 (K=1.5) STAHL: 11.1 (K=1.5)
Schalldruckpegel [dB(A)]	85 (K=3)
Schalleistungspegel [dB(A)]	96 (K=3)
Gewicht [Kg]	1.7
Schutzklasse	II

ZUBEHÖRTEILE

1. Ein-Aus-Schalter
2. Einschaltperre
3. Vordere Schutzvorrichtung
4. Sägeband
5. Führungsrolle
6. Fußplatte
7. Lüftungsschlitze
8. Innensechskantschlüssel

BOXGEHALT

Bedienungsanleitung (1 St.), Sägeband (1 St.), Innensechskantschlüssel (1 St.).

VORAUSSICHTLICHE BENUTZUNG

Diese Stichsägen sind bestimmt, Sägeschnitte in Holz, Kunststoff und Aluminium-Materialien auszuführen. Eine große Auswahl an Zubehörteilen und Sägebänder, die als extra Vorrichtungen im Angebot stehen, ermöglicht für dieses Werkzeug einen weiten Einsatzbereich. Das Werkzeug ist geeignet für kurvige Schnitte und Kreisschnitte.

ARBEITSSICHERHEIT BEI DER BENUTZUNG

Allgemeine Regeln der Arbeitssicherheit

Folgende Anleitungen zur Arbeitssicherheit helfen Ihnen das Werkzeug richtig benutzen und Ihre eigene Sicherheit gewährleisten. Deswegen lesen Sie sie besonnen und aufmerksam.

Im Falle der Übergabe des Werkzeuges für die

Benutzung eines Dritten, geben Sie ihm auch vorliegende Anleitungen der Arbeitssicherheit.

Behalten Sie diese Anleitung und sonstige Literatur, die mitgeliefert werden. Wenden Sie sich an sie, wenn die Fragen entstehen.

Folgen Sie strikt den Regeln der Arbeitssicherheit und Warnungen, die am Werkzeug angegeben sind.

Vor der Arbeit machen Sie sich mit der Werkzeugsteuerung bekannt, aber, vor allem, studieren Sie die Verfahren seines Nothalts.

Indem Sie diesen einfachen Anleitungen folgen, werden Sie Ihr Werkzeug im einwandfreien Zustand halten.

- Vor dem Einsatz ist das Werkzeug richtig zu montieren.

- Setzen Sie das Werkzeug streng zweckgemäß.

- Nehmen Sie Warnungstafeln und Hinweise am Werkzeug und studieren Sie sie aufmerksam. Aufmerksamkeit, vernünftiges Herangehen zur Arbeit und eine entsprechende Ausbildung von Personen, die am Betrieb, Transportieren, an der Wartung und Lagerhaltung des Werkzeuges teilnehmen, helfen Unfälle verhindern.

- Lassen Sie das Werkzeug ohne Aufsicht nicht.

- Lassen Sie die Benutzung des Werkzeuges durch Kinder nicht zu. Erlauben Sie den Kindern nicht, mit dem Werkzeug zu spielen. играть с инструментом.


- Lassen Sie das Auffinden von Kindern und Tieren in der Nähe des Werkzeuges nicht zu. Die, die den Wunsch haben, die Arbeit des Werkzeuges zu beobachten, sollen sich im sicheren Abstand von ihm befinden.

- Bei der Arbeit mit dem Werkzeug haftet der Benutzer für die Sicherheit von Dritten.

- Personen, die Bedienungsanleitung nicht studiert haben, Kinder, Minderjährige, die das Alter, das die Benutzung des Werkzeuges erlaubt, nicht erreicht



haben, sowie Personen, die sich im Alkohol- oder Rauschzustand oder unter Wirkung medizinischer Präparate befinden, werden zur Arbeit mit dem Werkzeug nicht zugelassen. Das Alter des Bedienenden wird durch örtliche Rechtsvorschriften bestimmt.



VORSICHT! Alkohol, einige Heilmittelpräparate und berauschende Mittel sowie Krankheit, Fieber und Müdigkeit vermindern die Geschwindigkeit der Reaktion. In oben genannten Fällen benutzen Sie das Werkzeug nicht.



VORSICHT! Verwenden Sie persönliche Schutzausrüstung! Die Schutzeinrichtungen und PSA gewährleisten die Sicherung ihrer Gesundheit und die Gesundheit der Umstehenden sowie garantieren störungsfreie Arbeit des Werkzeuges.

- Versichern Sie sich, dass alle Schutzeinrichtungen (falls vorhanden) installiert und nutzungsfähig sind.
- Benutzen Sie das Werkzeug ohne Schutzeinrichtungen (falls vorhanden), oder falls sie beschädigt sind, nicht.
- Prüfen Sie das Werkzeug in bezug auf den Bestand von losen Teilstücken (Muttern, Bolzen, Schrauben usw.) oder Beschädigungen. Um sichere Arbeit des Werkzeuges zu gewährleisten, prüfen Sie regelmäßig, ob Bolzen und Schrauben gut festgezogen sind (falls vorhanden). Bei Bedarf führen Sie vor dem Einsatz des Werkzeuges ihre Reparatur oder ihren Austausch durch. Im Falle des Einsatzes des beschädigten Werkzeuges können dem Bedienenden oder Dritten ernste Verletzungen zugefügt werden.
- Verwenden Sie bei der Arbeit eine entsprechende Arbeitskleidung. Weite Kleidung, Schmuckstücke können von beweglichen Teilen mitgenommen werden. Arbeiten Sie nur in entsprechender Arbeitskleidung. Schützen Sie ihre Beine und Füße vor auseinanderfliegender Feine. Arbeiten Sie barfuß oder in offenen Sandalen nicht. Tragen Sie langes Haar hinten zusammen.
- Halten Sie Haltegriffe und Halter trocken und sauber.
- Verwenden Sie entsprechende PSA. Verwenden Sie Schutzbrille und Handschuhe. Bei der Arbeit mit Pulvern oder bei dem Auswurf von Abgasen verwenden Sie den Staubrespirator. Bei Bedarf ziehen Sie gleichsichere Schuhe, den Schutzhelm und schützen Sie ihre Gehörgänge mit Ohrstöpseln. Wenn die Lautstärke 85 dB(A) überschreitet, verwenden Sie unbedingt Gehörschütze.

- Lassen Sie das Werkzeug nicht an, wenn es umgedreht oder im Ruhezustand ist.
- Während der Arbeit nehmen Sie die Beharrungsstellung. Halten Sie immer das Gleichgewicht.
- Halten Sie die Sauberkeit im Arbeitsbereich ein. Auf den gesperrten Abschnitten ist ein hohes Niveau von Unfällen. Vor dem Einsatz des Werkzeuges räumen Sie von der Arbeitsfläche alle Fremdkörper auf sowie vermeiden Sie den Eintritt von Fremdkörpern unter das Werkzeug während der Arbeit.
- Drücken Sie stark auf das Werkzeug während der Arbeit nicht.
- Benutzen Sie das Werkzeug nur bei gutem Tages- oder Kunstlicht. Benutzen Sie das Werkzeug bei schlechter Sicht nicht.
- Lassen Sie das Werkzeug nicht fallen, lassen Sie den Anstoß des Werkzeuges auf irgendwelche Hindernisse nicht zu.

VORSICHT! Gut aufpassen. Schauen Sie von dem durch das Werkzeug bearbeitenden Stück nicht weg. Indem man ablenkt, kann man die Steuerung verlieren. Arbeiten Sie vernünftig.

Regeln der elektrischen Sicherheit

ACHTUNG! Um den Stromschlag, die Schädigung der Gesundheit oder die Entflammung bei der Verwendung von Elektrowerkzeugen zu vermeiden, muss man folgende Arbeitsschutzvorschriften beachten. Vor dem Einsatz des Werkzeuges lesen Sie diese Anleitungen und folgen Sie ihnen streng.

- Um ein entsprechendes Sicherheitsniveau sicherzustellen, empfiehlt es sich, die Differentialschutzanlage (DSA) zu verwenden, die auf den Abschaltstrom nicht mehr als 30 mA errechnet ist. Prüfen Sie die Einsatzfähigkeit der DSA bei jedem Einsatz. Lassen Sie sich von einem qualifizierten Elektriker beraten.



Bedienungsanleitung

ACHTUNG! Der Einsatz der PSA oder einer anderen Einrichtung der Schutzabschaltung entbindet den Bedienenden von der obligatorischen Bekanntmachung mit Arbeitsschutzvorschriften und Methoden unfallfreier Arbeit, die in dieser Anleitung angegeben sind.



- Die Netzspannung soll dem Wert, der auf dem Etikett und in der Anleitung angegeben ist, entsprechen. Verwenden Sie andere Speisungsquellen nicht.
- Vor der Anschaltung des Werkzeuges an das Netz versichern Sie sich, dass die Steckdose den Angaben, die auf dem Etikett angegeben sind, entspricht.
- Berühren Sie mit dem Körper geerdete Flächen (Röhre, Heizkörper und Kältevorrichtungen) nicht. Bei der Erdung durch den Körper erhöht sich das Risiko des Stromschlages.

VORSICHT! Zur Vermeidung der Verbrennung oder der Stromschädigung Leitstücke nicht berühren.



- Ziehen Sie für die Netzschnur bei der Verschiebung des Werkzeuges nicht.
- Benutzen Sie die Netzschnur mit Vorsicht. Schützen Sie die Netzschnur vor Wärmeeinwirkung, vermeiden Sie ihren Kontakt mit Schmierstoffen sowie mit scharfen Sachen oder beweglichen Teilen.
- Seien Sie mit der Netzschnur vorsichtig.
- Verwenden Sie Elektroinstrumente in der Nähe von leichtentflammaren Flüssigkeiten und Brenngasen nicht.
- Bevor Sie das Werkzeug auf einen anderen Platz übertragen, schalten Sie es von dem Netz frei.

VORSICHT! Das Werkzeug ist zuerst auszuschalten und dann von der Steckdose oder Verlängerungsschnur freizuschalten.



- Drücken Sie die Netzschnur oder die Verlängerungsschnur während der Arbeit des Werkzeuges nicht durch und verwickeln Sie sie nicht. Haben Sie das Kabel immer im Auge.
- Schließen Sie das Netzkabel unmittelbar an das Werkzeug selbstständig nicht an. Wenden Sie sich an das nächste offizielle Dienstleistungszentrum.
- Bei der Schnurbeschädigung soll sie unbedingt der Hersteller oder sein Agent, oder eine andere sachkundige Person austauschen.

- Ziehen Sie umgehend den Stecker aus der Steckdose heraus, wenn die Netzschnur beschädigt oder eingeschnitten ist.



ACHTUNG! STROMSCHLAGEGFAHR!

Lenken Sie Ihre Aufmerksamkeit auf Ihren Arbeitsplatz. Benutzen Sie Elektroinstrumente unter Regen nicht. Benutzen Sie Elektroinstrumente in feuchten und nassen Räumen nicht. Halten Sie ihren Arbeitsbereich trocken, sichern Sie gute Beleuchtung. Schützen Sie das Werkzeug vor Feuchtigkeit. Lassen Sie das Werkzeug in der Freiluft über Nacht nicht. Beim Wassereindringen in das Werkzeug erhöht sich das Risiko des Stromschlages.

- Prüfen Sie die Netzschnur auf das Vorhandensein von Beschädigungen und Zeichen der Abnutzung regelmäßig und vor jedem Einsatz. Benutzen Sie das Werkzeug mit der beschädigten Netzschnur nicht; Wenden Sie sich an das offizielle Dienstleistungszentrum.
- Bei der Arbeit draußen verwenden Sie nur dafür bestimmte Verlängerungsschnur mit einer entsprechenden Markierung. Vermeiden Sie den Eintritt der Verlängerungsschnur unter das Werkzeug, schützen Sie sie vor Feuchtigkeit, vor Wärmeeinwirkung, vermeiden Sie den Kontakt mit Schmierstoffen und leichtentflammenden Stoffen.
- Vermeiden Sie zufälliges Anlassen des Werkzeuges: vor dem Anschluss des Werkzeuges an das Netz versichern Sie sich, dass der Schalter (falls vorhanden) in die Position 'off' (AUS) umgeschaltet ist.
- Vor dem Anlass des Werkzeuges entfernen Sie Einstellkeile und Stellschlüssel.
- Benutzen Sie das Werkzeug mit dem gestörten Schalter nicht. Das Werkzeug mit dem gestörten Schalter ist gefährlich und erfordert die Reparatur.



ACHTUNG! Manchmal während der Arbeit mit Elektroinstrumenten bildet sich Staub, der die den Krebs erregende Stoffe enthält.

Zu solchen chemischen Stoffen gehören: Blei in Bleioxid, Quarz, der zum Bestand des Backsteins und des Zements gehört, Arsen und Chrom, die im Schnittholz, das durch chemische Reagens behandelt ist, enthalten sind, und sonstige schädliche Stoffe. Das Risiko der Einwirkung dieser chemischen Stoffe hängt von der Häufigkeit der Durchführung der mit ihnen verbundenen Arbeiten ab.



Um ihre schädliche Einwirkung zu reduzieren, arbeiten Sie in einem gut gelüfteten Raum und benutzen Sie entsprechende fehlerfreie PSA, z.B., Staubrespiratoren, die speziell für die Ausfilterung von mikroskopischen Teilchen entwickelt sind.

- Bei dem Eintritt eines Fremdkörpers unter das Werkzeug prüfen Sie es auf das Vorhandensein von Beschädigungen und machen Sie eine notwendige Reparatur.
- Bei dem Entstehen der Übervibration schalten Sie das Werkzeug aus und stellen Sie umgehend die Ursache fest. Die Vibration ist gewöhnlich ein Zeichen der Störung.
- Bevor Sie Ihren Arbeitsplatz verlassen, führen Sie die Reparatur, Sichtkontrolle oder Reinigung des Werkzeuges, schalten Sie es aus und warten Sie auf vollständiges Stoppen von beweglichen Teilen.
- Es ist verboten, die Innenteile des Werkzeuges abzumontieren und zu ändern.

Besondere Arbeitsschutzvorschriften

- Nie asbestenthaltende Materialien schneiden, da sie den für die die Gesundheit gefährlichen Staub hervorrufen können.
- Um das Niveau der Einwirkung von schädlichen chemischen Stoffen, die in zu bearbeitenden Materialien enthalten sein können, zu reduzieren, muss man in einem gut gelüfteten Raum arbeiten und genehmigte Schutzmittel, solche wie Staubmasken, die speziell für die Ausfilterung von mikroskopischen Teilchen vorgesehen sind, anwenden; an die Stichsäge den Staubsauger anschließen.
- Für die Festigung des bearbeitbaren Werkstückes an die gefestigte Stelle sind Schraubzwingen oder sonstige zweckmäßige Verfahren anzuwenden. Bei dem Halten des Werkstückes mit der Hand oder bei dem Andrücken an den Körper wird seine feste Stellung nicht gesichert, was zum Kontrollverlust über dem Werkstück führen kann. Die Werkstücke, die in der Arbeitsstelle wegen der sehr kleinen Größe nicht gefestigt werden können, nicht bearbeiten.
- Schneiden Sie, bohren und sägen Sie nie in den Zonen, die zur Kontrolle unerreichbar sind, wo sich Leistungs-, Gas- und Wasserleitungen befinden können. Um diese Leitungen finden zu können, muss man entsprechende Spürgeräte anwenden.
- Es sollen keine Hindernisse im Lauf des Schneidens, unten und oben des Werkstückes.
- Sich mit der Anordnung und dem Betrieb des Knopfschalters, der den Schalter in der Stellung „EIN“ fixiert, bekannt machen. Wenn während des Betriebes der Schalter in der Stellung „AUS“ fixiert ist, muss man zur Notsituation und zur unverzüglichen Umstellung des Schalters in die Stellung „AUS“ mittels des schnellen

Drückens auf den Schalter „EIN – AUS“ und seines unverzüglichen Freilassens ohne Drücken auf den Knopfschalter der Fixierung der Stellung „EIN“ bereit sein.

- Das Stützstück der Stichsäge soll durch die ganze Oberfläche an das Werkstück angedrückt sein.
- Bei der Arbeit die Hände oder Finger vor der Stichsägebahn nie anordnen.
- Wenn am Anfang des Schneidens die Geschwindigkeit der Bahn zu langsam ist, so kann das Werkzeug flattern und rattern, und dabei ist sein Rückzug möglich.
- Es ist den Gerätestecker von der Stichsäge vor dem Austausch der Bahn bzw. vor der Funktionskontrolle des Stützstückes immer abzuschalten.
- Es ist nur spitze und defektlose Bahnen der Stichsäge anzuwenden. Es ist abgerissenen, verbogene oder stumpfe Bahnen unverzüglich auszutauschen.
- Die Stichsägebahn soll absolut sicher in der Passung fixiert werden. Jedes Mal muss man vor der Arbeit prüfen, ob die Bahn sicher fixiert ist.
- Bei der Gewinnung der Bahn aus der Stichsäge muss man sichere Schutzhandschuhe anwenden, und den Kontakt der Händehaut mit der Bahn zu vermeiden.
- Nach dem Ausschalten des Mechanismus ist es keine Seitenkraft zur Stichsägebahn für ihren Halt anzulegen.

AUFSCHLUSS DER VERPACKUNG

Bei dem Aufschluss der Verpackung prüfen Sie das Vorhandensein des Zubehörs. Vgl. Zeichnungen zu dieser Anleitung. Bei dem Fehlen oder Defekt von einigen Teilen wenden Sie sich an das Dienstleistungszentrum IVT.

BEGINN DES BETRIEBS

Der Spannungswert soll dem auf dem Schild der Passangaben angegebenen Wert des Werkzeuges entsprechen.

SÄGEBAND (4) MONTIEREN/ WECHSELN



WARNHINWEIS! Vor allen Arbeiten am Elektrowerkzeug trennen Sie das Netzkabel vom Netz.



ACHTUNG! Bei dem Austausch oder der Einstellung der neuen Stichsägebahn Schutzhandschuhe anziehen (4).



Bedienungsanleitung

- Verwenden Sie Innensechskantschlüssel (8), um beide Befestigungsschrauben an der Stoßstange zu lockern.
- Bei Montage des Sägebandes (Sägezähne in Schneidrichtung) beachten Sie, dass der hintere Teil des Sägebandes (4) in der Kerbe der Führungsrolle (5) ist.
- Befestigungsschrauben wieder anziehen. Alle herkömmlichen Sägeblätter können im Sägeblatt-Universalhalter befestigt werden. **[F1]**

EIN-UND AUSSCHALTEN

Kurzzeitiger Einsatz

Ein-Aus-Schalter (1) drücken und dann wieder loslassen.

Dauereinsatz [F2]

Einschalten

Ein-Aus-Schalter (1) drücken und Einschaltsperr (2) betätigen.

Ausschalten

Ein-Aus-Schalter (1) drücken und dann wieder loslassen.

STAUBABSAUGUNG



Staubabsaugung ermöglicht es, große Staubanhäufungen und hohe Staubkonzentration in der Umgebungsluft zu verhindern und erleichtert die Entsorgung.

Bei dauernder Bearbeitung von Holz oder wenn das Werkzeug im handwerklichen oder industriellen Einsatz für die Bearbeitung von Materialien verwendet wird, die besonders gesundheitsschädliche Stäube erzeugen, muss das Werkzeug an eine geeignete externe Absaugvorrichtung angeschlossen werden.

BETRIEBSANLEITUNG

Zersägen

- Vor dem Anfang des Zersägens muss man sich überzeugen, dass Stichsägebahn (4) richtig eingestellt ist, und vordere Führung maximal absenken (3).
- Das Stützstück (6) der Stichsäge soll an das Werkstück mit der ganzen Oberfläche sicher angedrückt werden.
- Es ist keine Belastung auf die Stichsägebahn anzuwenden, sonst lässt sich die Bahn (4) auslaufen und niederdrücken bzw. zerbrechen.
- Wenn das einzuschneidende Material dünn ist, muss man es auf das Hilfsbrett/Hilfsplatte für die Vibrationsdämpfung und die Qualitätssteigerung des Sägeschnitts platzieren.
- Bei den langen Schnitten muss man die Stichsäge

von Zeit zu Zeit abkühlen lassen und die Führungsrolle (5) mit einigen Tropfen Öl abschmieren.

- Bevor man die Vorrichtung zur Seite legt, muss man abwarten, bis die Stichsägebahn (4) hält.

Schnittwinkel einstellen

- Um die Stichsäge auf Gehrungsschnitte einzustellen, schrauben Sie die Befestigungsschrauben aus der Fußplatte mit Innensechskantschlüssel aus und verschieben Sie die Fußplatte aus ihrer Grundstellung nach hinten.
- Um Schnittwinkel einzustellen, erst die Fußplatte nach rechts oder nach links ausrichten.
- Beide Befestigungsschrauben fest anziehen. **[F3]**

Tauchschnitte



WARNHINWEIS! Tauchschnitte können nur in weichen Materialien wie Holz, Schaumbeton oder Gipskartonplatten ausgeführt werden.

Tauchschnitte in Holz können ohne Vorbohren ausgeführt werden, dabei wird in das zu bearbeitende Material bei laufender Stichsäge eingestochen. Die Ausführung von Tauchschnitten erfordert bestimmte Erfahrung; diese Tätigkeit darf nur mit einem kurzen Sägeband ausgeführt werden.

- Die Vorderkante der Fußplatte auf das zu bearbeitende Werkstück auflegen und die Stichsäge starten.
- Das Werkzeug gegen das Werkstück fest gedrückt halten und langsam das Sägeblatt in das Werkstück einstechen.
- Nach Erreichen der gewünschten Schnitttiefe das Werkzeug in normale Arbeitsstellung bringen, so dass die Fußplatte mit ganzer Oberfläche auf dem Werkstück aufliegt, und mit dem Schneiden entlang der Schnittlinie fortfahren. **[F4]**
- Nach Vollziehung des Schnittes, erst das Werkzeug ausschalten, dann es aus dem Schnittspalt ziehen

Ausführung von Kreisausschnitten (Kreisführung wird nicht mitgeliefert) [F5]

- Den auszuschneidenden Kreis markieren und im Kreismittelpunkt eine Bohrung machen.
 - Wenn der Schnitt nicht an der Kante des zu bearbeitenden Materials beginnt, eine Bohrung machen, aus der der Schnitt weiter geführt werden kann.
 - Kreisführung am Werkzeug montieren.
 - Zur Bestimmung des Ausschnitt-Radius Kreisführung verschieben und mit Flügelschraube fixieren.
 - Zentrierstift in die zentrale Bohrung setzen und den Schnitt beginnen, dabei das Werkzeug im Kreis führen.
- Zur Gewährleistung eines optimalen Ergebnisses wird empfohlen, schmale Sägebänder zu verwenden.**



WARTUNG UND LAGERHALTUNG



VORSICHT! Bevor Sie die Arbeit mit dem Werkzeug beginnen, schalten Sie es von der Steckdose frei.

- Halten Sie das Werkzeug und Luftöffnungen (falls vorhanden) sauber. Regelmäßige Reinigung und Wartung garantieren eine hohe Effektivität und einen langen Betrieb des Werkzeuges.
- Im Falle des Versagens, ungeachtet der Einhaltung aller Regeln des Betriebes und der Erprobung des Werkzeuges, soll die Reparatur in einem offiziellen Dienstleistungszentrum IVT durchgeführt werden.
- Alle Muttern, Bolzen und Schrauben sollen festgezogen sein.
- Tauschen Sie beschädigte oder abgenutzte Teile aus.
- Verwenden Sie nur die Originalersatzteile. Die Teile, die von einem anderen Hersteller produziert sind, passen undicht und erhöhen das Risiko von Verletzungen.
- Bewahren Sie das Werkzeug auf einem trockenen für Kinder unzugänglichen Platz, in der sicheren Entfernung von leichtentflammenden Stoffen auf.
- Vermeiden Sie das Treffen des Wassers auf das Werkzeug!

UMWELTSCHUTZ



Befördern Sie Müll und Abfälle zur Überarbeitung!

Das Werkzeug, Zusatzgeräte und Verpackung sind zur ökologisch sicheren Überarbeitung zu befördern. Die Elemente aus Kunststoff haben einen Vermerk über die Möglichkeit einer klassifizierten Überarbeitung. Die vorliegende Anleitung ist auf dem Recyclingpapier, das kein Chlor enthält, gedruckt.



ACHTUNG! ES IST VÖLLIG UNZULÄSSIG, DIE REPARATUR DES ERZEUGNISSES SELBSTÄNDIG DURCHZUFÜHREN UND ZU VERSUCHEN, IHRE SPUREN ZU VERBERGEN! Nur das autorisierte IVT-Service-Zentrum hat das Recht auf die Durchführung der Reparatur und erweiterte Aufrechterhaltung. Die Eintragung von Änderungen in den Innenausbau des Erzeugnisses ist verboten! SOLCHE HANDLUNGEN SIND NICHT DER GRUND FÜR DEN VERZICHT AUF DIE GARANTIEVERPFLICHTUNGEN, SIE KÖNNEN AUCH ALS GRUND FÜR BESCHÄDIGUNGEN UND ERNSTE KÖRPERVERLETZUNGEN SEIN.

**ТЕХНИЧЕСКИЕ ХАРАКТЕРИСТИКИ ИНСТРУМЕНТА**

Модель	JS-400
Напряжение ~ Частота [В ~ Гц]	230 ~ 50
Номинальная мощность [Вт]	400
Частота ходов на холостом ходу [ход./мин.]	3000
Режущая способность по дереву [мм]	55
Режущая способность по алюминию [мм]	10
Режущая способность по металлу [мм]	6
Уровень вибраций [м/сек. ²]	ДЕРЕВО: 7.3 (K=1.5) МЕТАЛЛ: 11.1 (K=1.5)
Уровень звукового давления [дБ(A)]	85 (K=3)
Уровень звуковой мощности [дБ(A)]	96 (K=3)
Вес [кг]	1.7
Класс безопасности	II

КОМПЛЕКТУЮЩИЕ ДЕТАЛИ

1. Выключатель «включено/выключено»
2. Фиксатор
3. Переднее защитное приспособление
4. Пильная лента
5. Направляющий ролик
6. Опорная плита
7. Вентиляционные отверстия
8. Шестигранный ключ

СОДЕРЖИМОЕ КОРОБКИ

Инструкция по эксплуатации (1 шт.), пильная лента (1 шт.), шестигранный ключ (1 шт.).

ПРЕДПОЛАГАЕМОЕ ИСПОЛЬЗОВАНИЕ

Машинные ножовки данной модели предназначены для распила древесины, пластмасс и алюминиевых материалов. Благодаря широкому ассортименту аксессуаров и пильных лент, имеющихся в наличии в качестве дополнительных приспособлений, данный инструмент можно использовать для различных применений. Инструмент обеспечивает получение изогнутых или круговых разрезов.

ТЕХНИКА БЕЗОПАСНОСТИ ПРИ ИСПОЛЬЗОВАНИИ**Общие правила техники безопасности**

Следующие инструкции по технике безопасности помогут вам правильно пользоваться инструментом и обеспечить собственную безопасность. Поэтому прочитайте их вдумчиво и внимательно.

В случае передачи инструмента для использования третьему лицу передайте и настоящие инструкции по технике безопасности.

Сохраните данную инструкцию и прочую литературу, входящую в комплект поставки. Обращайтесь к ней в случае возникновения вопросов.

Строго следуйте правилам техники безопасности и предостережениям, указанным на инструменте.

Перед началом работы ознакомьтесь с органами управления инструмента, но, прежде всего, изучите способы его экстренной остановки.

Следуя этим простым инструкциям, и вы будете содержать ваш инструмент в исправном состоянии.

- Перед использованием инструмент необходимо правильно собрать.
- Используйте инструмент строго по назначению.
- Отнеситесь внимательно к предупредительным надписям и указаниям на инструменте и внимательно изучите их. Внимательность, разумный подход к работе и соответствующая подготовка лиц, задействованных в эксплуатации, транспортировке, обслуживании и хранении инструмента, помогут предотвратить несчастные случаи.
- Не оставляйте инструмент без присмотра.
- Не допускайте использования инструмента детьми. Не позволяйте детям играть с инструментом.
- Не допускайте нахождения вблизи инструмента детей и животных. Те, кто желает понаблюдать за работой инструмента, должны находиться на безопасном расстоянии от него.
- При работе с инструментом пользователь несет ответственность за безопасность третьих лиц.
- Лица, не ознакомленные с инструкциями по эксплуатации, дети, несовершеннолетние, не достигшие возраста, позволяющего использовать



инструмент, а также лица, находящиеся в состоянии алкогольного или наркотического опьянения, либо под воздействием медицинских препаратов, не допускаются к работе с инструментом. Возраст оператора устанавливается местными нормативными актами.



ОСТОРОЖНО! Алкоголь, некоторые лекарственные препараты и наркотические вещества, а также состояние нездоровья, жар и утомление снижают скорость реакции. Не используйте данный инструмент в вышеперечисленных случаях.

- Убедитесь, что все защитные приспособления (если таковые имеются) установлены и пригодны к эксплуатации.
- Не используйте инструмент без защитных приспособлений (если таковые имеются), либо если они повреждены.
- Осмотрите инструмент на наличие незакрепленных деталей (гаек, болтов, винтов и т.д.) или повреждений. Чтобы обеспечить безопасную работу инструмента, периодически проверяйте, хорошо ли затянуты болты и винты (если таковые имеются). При необходимости перед использованием инструмента произведите их ремонт или замену. В случае использования поврежденного инструмента оператору или посторонним лицам могут быть нанесены серьезные травмы.
- Используйте для работы соответствующую спецодежду. Просторная одежда, украшения могут быть затянута движущимися частями. Работайте только в подходящей спецодежде. Защитите ноги и ступни от разлетающегося мусора. Не работайте босиком или в открытых сандалиях. Соберите длинные волосы сзади.
- Содержите ручки и рукоятки в чистоте и сухости.
- Используйте соответствующие СИЗ. Используйте защитные очки и перчатки. При работе с порошками или при выбросах выхлопных газов используйте противопылевой респиратор. При необходимости наденьте нескользкую обувь, каску и защитите органы слуха берушами. Если уровень шума превышает 85 дБ(А), обязательно используйте защитные наушники.



ОСТОРОЖНО! Пользуйтесь средствами индивидуальной защиты! Защитные приспособления и СИЗ обеспечивают сохранность вашего здоровья и здоровья окружающих, а также гарантируют бесперебойную работу инструмента.

- Не запускайте инструмент, если он перевернут или находится в нерабочем положении.
- Во время работы примите устойчивое положение. Постоянно сохраняйте равновесие.
- Соблюдайте чистоту на рабочем участке. На загроможденных участках наблюдается высокий уровень травматизма. Перед использованием инструмента уберите с рабочей площадки все посторонние предметы, а также избегайте попадания под инструмент посторонних предметов во время работы.
- Не давите на инструмент с силой во время работы.
- Используйте инструмент только при хорошем дневном или искусственном освещении. Не используйте инструмент в условиях плохой видимости.
- Не роняйте инструмент, не допускайте столкновения инструмента с какими-либо препятствиями.

ОСТОРОЖНО! Будьте внимательны. Не отводите взгляд от обрабатываемого инструментом предмета. Отвлечшись, можно потерять управление. Подходите к работе разумно.

Правила электробезопасности

ВНИМАНИЕ! Во избежание удара электрическим током, причинения вреда здоровью или возгорания при использовании электроинструментов необходимо соблюдать следующие инструкции по технике безопасности. Перед использованием инструмента прочтите и точно соблюдайте данные инструкции.

- Чтобы обеспечить соответствующий уровень безопасности, рекомендуется использовать устройство дифференциальной защиты (УДЗ), рассчитанное на ток отключения не более чем 30 мА. Проверьте исправность УДЗ при каждом использовании. Проконсультируйтесь у квалифицированного электрика.



ВНИМАНИЕ! Использование УДЗ или другого устройства защитного отключения не освобождает оператора от обязательного ознакомления с правилами техники безопасности и приемами безопасной работы, указанными в данной инструкции.

- Напряжение сети должно соответствовать значению, указанному на ярлыке и в инструкции. Не используйте другие источники питания.
- Перед подключением инструмента к сети убедитесь, что розетка соответствует данным, указанным на ярлыке.
- Не прикасайтесь телом к заземленным поверхностям (трубами, радиаторами, батареями и рефрижераторами). При заземлении через тело риск удара электрическим током повышается.



ОСТОРОЖНО! Во избежание ожога или поражения электрическим током не прикасайтесь к электропроводящим деталям.

- Не тяните за шнур питания при перемещении инструмента.
- Пользуйтесь шнуром питания с осторожностью. Берегите шнур питания от воздействия тепла, избегайте его контакта со смазочными материалами, а также острыми предметами или движущимися частями.
- Будьте осторожны со шнуром питания.
- Не пользуйтесь электроинструментами вблизи легковоспламеняющихся жидкостей и горючих газов.
- Перед тем, как переносить инструмент на другое место, отключайте его от сети.



ОСТОРОЖНО! Инструмент необходимо сначала выключить, а затем отсоединять от розетки или удлинителя.

- Не пережимайте и не запутывайте шнур питания или удлинитель во время работы инструмента. Не теряйте кабель из виду.
- Не подключайте силовой кабель напрямую к инструменту самостоятельно. Обратитесь в ближайший официальный центр обслуживания.
- При повреждении шнура питания его обязательно должен заменить изготовитель или его агент, или другой квалифицированный специалист.



ВНИМАНИЕ!
**ПОРАЖЕНИЯ
ТОКОМ!**

**ОПАСНОСТЬ
ЭЛЕКТРИЧЕСКИМ
ТОКОМ!**

Обратите внимание на ваше рабочее место. Не используйте электроинструменты под дождем. Не используйте электроинструменты во влажных и сырых помещениях. Содержите рабочий участок в сухости, обеспечьте хорошее освещение. Берегите инструмент от влаги. Не оставляйте инструмент на открытом воздухе на ночь. При попадании воды в электроинструмент повышается риск удара электрическим током.

- Регулярно и каждый раз перед использованием проверяйте шнур питания на наличие повреждений и признаков износа. Не используйте инструмент с поврежденным шнуром питания; обратитесь в официальный центр обслуживания.
- При работе на улице используйте только предназначенные для этого удлинители с соответствующей маркировкой. Избегайте попадания удлинителя под инструмент, берегите его от влаги, от воздействия тепла, избегайте контакта со смазочными материалами и легковоспламеняющимися веществами.
- Избегайте случайного запуска инструмента: перед подключением инструмента к сети убедитесь, что выключатель (при наличии) переведен в положение 'off' (выкл.).
- Перед включением инструмента удалите установочные клинья и ключи.
- Не используйте инструмент с неисправным выключателем. Инструмент с неисправным выключателем представляет опасность и требует ремонта.



ВНИМАНИЕ! Иногда во время работы с электроинструментами образуется пыль, содержащая вызывающие рак вещества.

К таким химическим веществам относятся: свинец в составе свинцовых белил, кварц, входящий в состав кирпича и цемента, мышьяк и хром, содержащиеся в пиломатериале, обработанном химическими реагентами, и прочие вредные вещества. Риск воздействия данных химических веществ зависит от частоты проведения связанных с ними работ.

Чтобы сократить их вредное воздействие, работайте в хорошо проветриваемом помещении и используйте соответствующие



исправные СИЗ, например, противопылевые респираторы, специально разработанные для отфильтровывания микроскопических частиц.

- При попадании под инструмент постороннего предмета осмотрите его на наличие повреждений и произведите необходимый ремонт.
- При возникновении чрезмерной вибрации отключите инструмент и немедленно выясните причину. Вибрация обычно является признаком повреждения.
- Перед тем, как покинуть рабочее место, произвести ремонт, осмотр или очистку инструмента, отключите его и дождитесь полной остановки движущихся деталей.
- Запрещается снимать или изменять внутренние детали инструмента.

Особые правила по технике безопасности

- Никогда не резать асбестосодержащие материалы, т.к. они могут вызвать опасную для здоровья пыль.
- Для снижения уровня воздействия вредных химических веществ, которые могут содержаться в обрабатываемых материалах, необходимо работать в хорошо проветриваемом помещении и применять одобренные защитные средства, такие как пылезастыжные маски, которые специально предназначены для отфильтровывания микроскопических частиц; подсоединить к электрোলобзику пылесос.
- Для крепления обрабатываемой заготовки к устойчивой площадке использовать струбины или иные целесообразные способы. При удержании заготовки рукой или при прижатии к телу не обеспечивается ее устойчивое положение, что может привести к потере контроля над заготовкой. Не обрабатывать заготовки, которые нельзя закрепить в рабочем положении из-за очень маленького размера.
- Никогда не режьте, не сверлите и не пилите в зонах, недоступных для осмотра, где могут находиться силовые, газовые или водопроводящие линии. Для обнаружения таких линий применять подходящие детекторы.
- На траектории резания, снизу и сверху заготовки, не должно быть помех. Ознакомьтесь с расположением и работой кнопки, фиксирующей переключатель в положении «ВКЛЮЧЕНО».
- Если во время работы переключатель зафиксирован в положении «ВКЛ.», быть готовым к аварийной ситуации и немедленному переводу переключателя в положение «ВЫКЛ.» при помощи быстрого нажатия на переключатель «ВКЛ.–ВЫКЛ.» и немедленного его отпущения без нажатия на

кнопку фиксации положения «ВКЛ.»

- Опорная лыжа лобзика должна быть надежно прижата всей поверхностью к заготовке.
- При работе никогда не помещать кисть руки или пальцы перед полотном лобзика.
- Если в начале резания скорость движения полотна слишком мала, то инструмент может дребезжать или вибрировать, и при этом возможен его отскок.
- Всегда отсоединять электровилку от лобзика перед заменой полотна и/или перед отладкой опорной лыжи.
- Использовать только острые и бездефектные полотна лобзика. Незамедлительно заменять треснутые, погнутые или тупые полотна.
- Полотно пилы должно быть абсолютно надежно зафиксировано в посадочном месте. Каждый раз перед работой проверять надежность фиксации полотна.
- При извлечении полотна из лобзика использовать надежные защитные перчатки, чтобы избежать контакта кожи рук с полотном.
- После выключения механизма не прикладывать бокового усилия к полотну лобзика для его останова.

ВСКРЫТИЕ УПАКОВКИ

При вскрытии упаковки проверьте наличие всех комплектующих деталей. См. чертежи к данному руководству. При отсутствии или неисправности каких-либо деталей обратитесь в центр обслуживания ИТ.

НАЧАЛО ЭКСПЛУАТАЦИИ

Значение напряжения питания должно соответствовать указанному в табличке паспортных данных инструмента.

УСТАНОВКА / ЗАМЕНА ПИЛЬНОЙ ЛЕНТЫ

(4)



ВНИМАНИЕ! Перед началом любых работ на самой машине, отсоедините сетевой шнур.



ВНИМАНИЕ! При замене или установке нового полотна лобзика надевать защитные перчатки (4).

- Используйте шестигранный ключ (8) для ослабления обоих крепежных винтов на ударном штоке.
- При установке пильной ленты (зубья в направлении резки), следите за тем, чтобы задняя

часть ленты (4) находилась в пазу направляющего ролика (5).

- Снова затяните крепежные винты. Все виды обычных пильных лент подходят к универсальному держателю пильной ленты. [F1]

ВКЛЮЧЕНИЕ / ВЫКЛЮЧЕНИЕ

Кратковременное использование

Нажмите на кнопку выключателя «включено/выключено» (1) и затем отпустите.

Непрерывное использование [F2]

Включение

Нажмите на кнопку выключателя «включено/выключено» (1) и заблокируйте фиксатором (2).

Выключение

Нажать и отпустить кнопку выключателя «включено/выключено» (1).

УДАЛЕНИЕ ПЫЛИ



Удаление пыли предотвращает накопление пыли, высокую концентрацию пыли в окружающем воздухе и облегчает утилизацию. При длительной работе с деревом или с материалами для коммерческого использования, выделяющими вредную для здоровья пыль, машину необходимо подключить к соответствующему внешнему устройству для пылеудаления.

ИНСТРУКЦИЯ ПО ЭКСПЛУАТАЦИИ

Распиливание

- Перед началом распиливания убедиться, что полотно лобзика (4) правильно установлено, и максимально опустить переднюю направляющую (3).

- Опорная лыжа (6) лобзика должна быть надежно прижата всей поверхностью к заготовке.

- Не прилагать нагрузку к полотну лобзика, иначе полотно (4) перегреется и согнется и/или сломается.

- Если разрезаемый материал тонкий, надо поместить его на вспомогательную доску/плиту для гашения вибраций и улучшения качества распила.

- При продолжительных разрезах время от времени давать электрোলобзику остывать и смазывать направляющий ролик (5) несколькими каплями масла.

- Прежде чем отложить устройство, надо подождать, пока полотно лобзика (4) не остановится.

Регулировка угла резки

- Для установки машинной ножовки на резку под углом, отвинтить крепежные винты из опоры с помощью шестигранного ключа, затем сдвинуть назад основу из ее исходного положения.

- Установить угол резки, наклонив опору вправо или влево.

- Плотно затянуть оба крепежных винта. [F3]

Врезание



ВНИМАНИЕ! Только мягкие материалы, такие как дерево, пенобетон, гипсокартон и пр. могут обрабатываться методом врезания.

Врезы в дерево можно выполнять без предварительного сверления, прокалывая материал работающей машиной. Для выполнения этого необходим определенный опыт; такие действия можно выполнять только с помощью короткой пильной ленты.

- Поместить передний край опорной плиты на обрабатываемую заготовку и включить машину.

- Плотно прижать инструмент к заготовке и медленно врезать пильную ленту в заготовку.

- После достижения необходимой глубины реза, вернуть инструмент в нормальное рабочее положение так, чтобы полная поверхность опорной плиты опиралась на заготовку, и продолжайте пиление вдоль линии резки. [F4]

- После завершения разреза, сначала выключите инструмент, затем выньте его из разреза.

Резка по окружности (круговая направляющая не включена в комплект) [F5]

- Отметить окружность, по которой будет выполняться резка, и высверлить отверстие в ее центре.

- Если резка не начинается с края материала – высверлите отверстие, с которого начнется резка.

- Установить круговую направляющую на инструмент.

- Выдвинуть круговую направляющую для определения радиуса резки и зафиксировать ее с помощью барашкового винта.

- Установить центрирующий штифт в центральное отверстие и начать резку, двигая инструмент по кругу.

Для получения оптимального результата рекомендуется использовать узкие лезвия.



ОБСЛУЖИВАНИЕ И ХРАНЕНИЕ



ОСТОРОЖНО! Прежде чем начать работу с инструментом, выключите его из розетки.

- Содержите инструмент и вентиляционные отверстия (при наличии) в чистоте. Регулярная очистка и обслуживание гарантируют высокую эффективность и продолжительную эксплуатацию инструмента.
- В случае выхода из строя, несмотря на соблюдение всех правил эксплуатации и опробования инструмента, ремонт должен выполняться в официальном сервисном центре IVT.
- Все гайки, болты и винты должны быть плотно затянуты.
- Замените поврежденные или изношенные детали.
- Используйте только оригинальные запчасти. Детали, изготовленные сторонним производителем, прилегают неплотно и повышают риск возникновения травм.
- Храните инструмент в сухом недоступном для детей месте, на безопасном расстоянии от легковоспламеняющихся материалов.
- Избегайте попадания воды на инструмент!

ЗАЩИТА ОКРУЖАЮЩЕЙ СРЕДЫ



Отправляйте мусор и отходы на переработку!

Инструмент, дополнительные приспособления и упаковку следует отправить на экологически безопасную переработку.

Пластиковые элементы имеют отметку о возможности классифицированной переработки. Настоящая инструкция напечатана на вторичной бумаге, не содержащей хлор.



ВНИМАНИЕ! ПРОИЗВОДИТЬ РЕМОНТ ИЗДЕЛИЯ САМОСТОЯТЕЛЬНО И ПЫТАТЬСЯ СКРЫТЬ ЕГО СЛЕДЫ СОВЕРШЕННО НЕДОПУСТИМО! Только авторизованный IVT Сервис-Центр имеет право на проведение ремонта и расширенного технического обслуживания. Внесение изменений во внутреннее устройство изделия запрещено! ТАКИЕ ДЕЙСТВИЯ НЕ ТОЛЬКО ЯВЛЯЮТСЯ ОСНОВАНИЕМ В ОТКАЗЕ ОТ ГАРАНТИЙНЫХ ОБЯЗАТЕЛЬСТВ, НО И МОГУТ ПОСЛУЖИТЬ ПРИЧИНОЙ ПОВРЕЖДЕНИЙ И СЕРЬЕЗНЫХ УВЕЧИЙ.

ҚҰРАЛДЫҢ СИПАТТАМАСЫ

Үлгі	JS-400
Кернеу ~ Жиілік [В ~ Гц]	230 ~ 50
Номиналды қуат [Вт]	400
Бос жүрістеігі айналу жиілігі [мин/айн.]	3000
Кесетін мүмкіндігі ағашты [мм]	55
Кесетін мүмкіндігі алюминийді [мм]	10
Кесетін мүмкіндігі металда [мм]	6
Тербеліс деңгейі [м/сек. ²]	АФАШ: 7.3 (K=1.5) МЕТАЛД: 11.1 (K=1.5)
Дыбыстық қысым деңгейі [дБ(А)]	85 (K=3)
Дыбыстық қуат деңгейі [дБ(А)]	96 (K=3)
Салмақ [кг]	1.7
Қауіпсіздік класы	II

ҚОСАЛҚЫ БӨЛШЕКТЕРДІҢ ТІЗБЕСІ

1. Сөндіргіш «қосулы / сөндірулі»
2. Бекіткіш
3. Алдыңғы қорғайтын аспап
4. Аралайтын лента
5. Бағыттайтын ролик
6. Тірек плитасы
7. Желдеткіш тесік
8. Алты қырлы кілт

ҚОРАПТЫҢ ІШІНДЕГІСІ

Нұсқаулық (1 дана), Аралайтын лента (1 дана), Алты қырлы кілт (1 дана), шаңды кетіру құрылғысын қосуға арналған штуцер (1 дана).

ҚОЛДАНЫЛУЫ

Бұл үлгінің машиналық қол аралары ағаш, алюминий және пластмасс материалдарды арамен кесуге арнап бағытталған. Қосымша аспаптар ретінде қоса берілетін аксессуарлар мен аралайтын ленталардың әр алуан жинағының арқасында, бұл құралды түрлі жағдайда қолдануға болады. Құрал бүгілген немесе дөңгелек кесіктерді жасауды қамтамасыз етеді.

ҚОЛДАНУ КЕЗІНДЕГІ ТЕХНИКАЛЫҚ ҚАУІПСІЗДІК

Қауіпсіздіктің жалпы ережелері

Қауіпсіздік техникасы бойынша келесі нұсқаулықтар құралды дұрыс қолдануға және дербес қауіпсіздікті қамтамасыз етуге көмектеседі. Сондықтан оларды мұқият оқып шығыңыз.

Аталмыш құралды үшінші тұлғаға беру барысында қауіпсіздік техникасы жөніндегі осы нұсқаулықты да бірге беру керек.

Осы нұсқаулықты және жеткізілетін кешен құрамына кіретін басқа да әдебиеттерді сақтап қойыңыз.

Қауіпсіздік техникасын және құралда көрсетілген қауіпсіздік ережелерін сақтаңыз.

Жұмысты бастамас бұрын құралдың басқару бөлшектерімен танысыңыз, бірақ ең алдымен жедел тоқтату амалдарымен танысыңыз.

Аталған қарапайым ережелерді сақтау сіздің құралыңыздың үнемі жұмысқа жарамдылығын қамтамасыз етуге мүмкіндік береді.

- Пайдалану алдында құралды дұрыс жинақтау қажет.
- Құралды тек мақсаты бойынша ғана пайдаланыңыз.
- Сонымен қатар, құралда қорғаныш жабдықтарды пайдалану жөніндегі ескерту жазбалары мен сілтемелері болуы мүмкін, оларды да оқып шығу қажет. Сақтық, тәжірибелілік, ойластырылғандық, жұмысқа тиісті қатынас және құралды қолдану, тасымалдау, қызмет көрсету және сақтауға қатынасатын тұлғалардың тиісті дайындығы келеңсіз оқиғалардың алдын алуға көмектеседі.
- Құралды қараусыз қалдырмаңыз.
- Құралды балалардың пайдалануына жол бермеңіз. Балалардың құралман ойнауына жол бермеңіз.
- Жұмыс алаңына жақын жерде балалардың және жануарлардың болуына жол бермеңіз. Бөгде адамдар жұмыс істеп тұрған құралдан қауіпсіз қашықтықта болуы керек.
- Құралмен жұмыс жасау барысында пайдаланушы үшінші тұлғалар үшін жауапкершілік тартпайды.
- Қолдану жөніндегі осы нұсқаулықпен таныспаған



тұлғалар, құралды пайдалануға болатын жасқа жетпеген, көмелеттік жасқа толмаған балалар, сондай-ақ ішімдікке немесе есірткіге мас күйдегі тұлғалар, медициналық дәрмек әсеріндегі адамдар құралмен жұмыс жасауға рұқсат ала алмайды. Оператордың жасы жергілікті нормативтік актілермен тағайындалады.



АБАЙЛАҢЫЗ! Алкоголь, кейбір дәрілік препараттар және есірткілік заттар, сондай-ақ ыстық көтерілу және қалжырау сияқты денсаулық күйлері реакция жылдамдығын төмендетеді. Аталмыш құралды жоғарыда аталған жағдайларда пайдаланбаңыз.

- Барлық қорғаушы жабдықтардың (егер болса) дұрыс орнатылғандығына және олардың жұмысқа жарамды екендігіне көз жеткізіңіз.
- Құралды қорғаушы жабдықтарсыз пайдаланбаңыз (егер болса), немесе ол зақымданған болса пайдаланбаған абзал.
- Құралдың бекітілмей қалған бөлшектерін (сақиналар, болттар, бұрамалар және т. б.) немесе ақауларын тексеріңіз. Құрал жұмысының қауіпсіздігін қамтамасыз ету үшін болттар мен бұрандалардың (егер болса) жақсы бұралғандығын әлсін-әлсін тексеріп отырыңыз. Қажет болса құралды пайдалану алдында зақымданған не ақаулы бөлшектерді жөндеңіз немесе алмастырыңыз. Ақаулы құралды пайдалану кезінде операторға немесе маңайдағы бөгде тұлғаларға ауыр жарақаттар салынуы мүмкін.
- Жұмыс үшін арнайы киімді пайдаланыңыз. Кең киім, әшекейлер, әшекей бұйымдары құралдың қозғалмалы бөліктеріне ілініп қалуы мүмкін. Сәйкес келетін арнайы киімдер киіңіз. Ұшатын қалдық заттардан аяғыңыз бен табаныңызды қорғаңыз. Жалаң аяқ немесе үсті ашық аяқ киім киіп жұмыс істемейсіз. Ұзын шашты артыңызға жинаңыз.
- Тұтқалар мен тұтқыштарды таза және құрғақ етіп ұстаңыз.
- Сәйкес келетін қорғаушы жабдықтарды пайдаланыңыз. Қорғаушы көзәйнектер мен саусаққаптарды қолданыңыз. Ұнтақтармен немесе шығарылатын газ ортасында жұмыс жасау барысында шаңға қарсы респираторды пайдаланыңыз. Қажет болған жағдайда табаны сырғанамайтын аяқ киім, дулыға немесе құлаққа арналған тығындарды қолданыңыз. Егер шу деңгейі 85 дБ(А) артық болса, міндетті түрде қорғаушы құлаққаптарды пайдаланыңыз.



АБАЙЛАҢЫЗ! Жеке бас қорғаныс құралдарын пайдаланыңыз! Қорғаушы жабдықтар мен ЖҚҚ сіздің денсаулығыңыз бен маңайыңыздағылардың денсаулығының қорғанысын қамтамасыз етеді, сондай-ақ құралдың үзіліссіз жұмысына кепілдік береді.

- Құрал кері бұрылған болса немесе жұмысқа жарамсыз күйде болса, оны іске қоспаңыз.
- Жұмыс барысында тұрақты қалыпты сақтаңыз. Үнемі тепе-теңдікті сақтаңыз.
- Жұмыс алаңында тазалықты сақтаңыз. Қоршалған алаңдарда жарақаттану қаупінің жоғары деңгейі байқалады. Құралды пайдаланбас бұрын жұмыс алаңынан барлық бөгде заттарды алып тастаңыз, жұмыс барысында құралдың астына бөгде заттардың түсуіне жол бермеңіз.
- Құралды шамадан тыс қыздырмаңыз.
- Құралды күндізгі жарықта немесе жақсы жасанды желдету кезінде пайдаланыңыз. Құралды нашар көріну жағдайында пайдаланбаңыз.
- Құралды құлатпаңыз, құралдың қандай да бір кедергілермен қақтығысуына жол бермеңіз.

АБАЙ БОЛЫҢЫЗ! Абай болыңыз. Жұмыс барысын бақылап отырыңыз. Алаңдай отырып, құралды басқаруды жоғалтып алу мүмкін. Жұмысқа дайындықпен кірісіңіз.

Электрлік қауіпсіздік ережелері

НАЗАР АУДАРЫҢЫЗ! Электр құралдарын қолдану барысында электр тоғының соққысын болдырмау және жеке бастың жарақаттану оқиғасына жол бермеу мақсатында техникалық қауіпсіздік бойынша мынадай ережелерді сақтау керек. Құралды қолданар алдында осы нұсқаулықтарды оқып шығыңыз және мұқият қадағалаңыз.

- Қауіптілік деңгейін жоғарылату үшін 30 мА-дан аспайтын сөну тоғына есептелген шегермелі қорғаныс құрылғысын (RCD) пайдалану ұсынылады. Өрбір пайдаланған кезде RCD тексеріңіз. Білікті электршіге жүгініңіз.



НАЗАР АУДАРЫҢЫЗ! RCD немесе басқа ажыратқышты пайдалану құралдың операторын осы нұсқаулықта көрсетілген жұмыс амалдары ережелері мен қауіпсіздік техникасы талаптарымен танысу міндетінен босатпайды.

- Желідегі кернеу жазба белгіде немесе нұсқаулықта көрсетілген шамаға сәйкес болуы керек. Басқа қоректендіру көздерін пайдаланбаңыз.
- Құралды желіге қосу алдында розетканың құралдың жазба белгісінде көрсетілген мәліметтеріне сай келетіндігіне көз жеткізіңіз.
- Дененің жайсыздандырылған заттармен (құбырлар, радиаторлар, батареялар және рефрижераторлар) жанасуынан сақтаныңыз. Дененің мұндай заттарға жанасуы кезінде электрлік тоқ соққысына шалдығу қаупі артады.



АБАЙ БОЛЫҢЫЗ! Күюден немесе тоқ соққысынан сақтану үшін электр өткізгіш бөлшектерге жанаспаңыз.

- Құралдың орнын алмастыру барысында кабельден тартпаңыз.
- Тоқсымды абайлап қолданыңыз. Тоқсымды жылудың әсерінен сақтаңыз, оның майлаушы заттармен байланысына жол бермеңіз, сондай-ақ өткір немесе жылжымалы заттармен жанастырмауға тырысыңыз.
- Тоқсыммен абай болыңыз.
- Құралды тез тұтанатын сұйықтықтарға және газдарға жақын жерде пайдаланбаңыз.
- Құралды басқа жерге ауыстырмас бұрын оны желіден ажыратыңыз.



АБАЙ БОЛЫҢЫЗ! Алдымен құралды сөндіру керек, содан соң розеткадан немесе ұзартқыштан ажыратқан абзал.

- Құрал жұмыс істеп тұрғанда ұзартқышты қыспаңыз. Кабельді бақылап отырыңыз.
- Ұзартқышты құралға өз бетіңізбен тікелей қоспаңыз. Ең жақын жердегі ресми қызмет көрсету орталығына жүгініңіз.
- Тоқсым зақымдалған жағдайда қауіптілік тудырмау үшін оны дайындаушы немесе оның агенті, не болмаса ұқсас білікті мамандар алмастыру керек.
- Егер кабель зақымдалған немесе кесіліп

кеткен болса, онда айырды тез арада ашадан алып шығыңыз.



НАЗАР АУДАРЫҢЫЗ! ЭЛЕКТРЛІК ТОҚ СОҚҚЫСЫНА ШАЛДЫҒУ ҚАУІПІ БАР!

Өндірістік ортаны бақылап отырыңыз. Электрлік құралдарды жауын астында пайдаланбаңыз. Электрлік құралдарды ылғалды және дымқыл жайларда пайдаланбаңыз. Жұмыс орнын құрғақ ұстаңыз, жарықтандырудың жақсы болуын қамтамасыз етіңіз. Құралды ылғалдан сақтаңыз. Құралды ашық кеңістікте түнде қалдырмаңыз. Құралға суды тиіп кетсе, электрлік тоқ соққысына шалдығу қаупі артады.

- Үнемі және әр қолданыс алдында құрал кабелінің жарамдылығы мен тозу белгісінің болуын тексеріп отырыңыз. Кабелі зақымданған құралды пайдаланбаңыз; ресми қызмет көрсету орталығына жүгініңіз.
- Ғимараттардан тыс жұмыс барысында сәйкес маркалы арнайы ұзартқыштарды ғана пайдаланыңыз. Кабельдің құралдың астына түсуіне жол бермеңіз, оны ылғалдан, жылудың әсерінен сақтаңыз, жақпайлық заттармен және тез тұтанатын сұйықтықтармен байланысуына жол бермеңіз.
- Құралдың өздігінен қосылуынан сақтаныңыз. Құралды желіге қосар алдында ажыратқыштың «off» (сөнд.) қалпында екендігіне көз жеткізіңіз.
- Құралды іске қосу алдында ондағы барлық кілттер мен орнату бөлшектерін алып тастаңыз.
- Жарамсыз ажыратқышы бар құралды пайдаланбаңыз. Ажыратқышы жарамсыз құрал қауіпті және жөндеуді талап етеді.



НАЗАР АУДАРЫҢЫЗ! Аспапты пайдаланған кезде құрамында ісік ауруын тудыратын химиялық заттар бар шаң қалыптасады.

Осындай химиялық заттарға мыналар жатады: қорғасынды әктейуіштер құрамындағы қорғасын, кірпіш пен цементті құрамына кіретін кварц, химиялық реагенттермен өңделген араланушы материалдар құрамындағы күшән және хром, басқа да зиянды заттар. Аталған химиялық заттардың әсер ету қаупі олармен жұмыс жасау жиілігіне байланысты.

Олардың зиянды әсерін төмендету үшін жақсы желдетілетін жерде жұмыс істеңіз және қолдану үшін бекітілген ЖҚҚ, мысалы, микроскопиялық бөлшектерді сүзуге арналған шаңға қарсы респираторларды пайдаланыңыз.



- Құралдың астына бөгде заттар түскен жағдайда құралдың ақаусыз екендігін тексеріңіз және қажетті жөнделу жұмыстарын жетуге асырыңыз.
- Шамадан тыс діріл пайда болса жедел арада қозғалтқышты сөндіріңіз және себебін анықтаңыз. Діріл ақаудың белгісі болып табылады.
- Жұмыс орнынан кетпес бұрын, құралды жөнделу, тексеру немесе тазарту алдында оны сөндіріңіз және толығымен тоқтағанша күте тұрыңыз.
- Құралдың ішкі бөлшектерін алып тастауға немесе өзгертуге тыйым салынады.

Қауіпсіздік техникасы бойынша ерекше ережелер

- Құрамында асбест бар материалдарды ешқашан кеспеніз, өйткені олар денсаулыққа қауіпті шаң шығаруы мүмкін.
- Өңделетін материалдардың құрамында болуы мүмкін химиялық заттардың зиянды әсерінің деңгейін төмендету үшін жақсы желденетін жайда жұмыс істеп, микроскопты бөлшектердің өзін сүзгіден өткізуге арнайы бағытталған шаңнан қорғайтын маска сияқты мақұлданған қорғайтын дауаларды қолдану қажет; электрлі жұқа араға шаңсорғышты қосыңыз.
- Өңделетін дайындаманы берік алаңға бекіту үшін струбуциналар немесе өзге лайықты тәсілдерді қолданыңыз. Дайындаманы қолмен ұстағанда немесе денеге басқанда оның берік тұруы қамтамасыз етілмейді, бұл бақылау жасауға мүмкіндік бермейді. Өзінің шағын көлемінің кесірінен жұмыс жағдайында бекітуге келмейтін дайындаманы өңдемеңіз.
- Қуат, газ немесе су желілері болуы мүмкін көрінбейтін тұстарды ешқашан кеспеніз, бұрғыламаңыз және араламаңыз. Ондай желілердің бар-жоғын тексеру үшін арнайы детекторлар қолданыңыз.
- Кесу траекториясында, дайындаманың төменгі және жоғары жағында ешқандай кедергі болмауы тиіс.
- Ауыстырып-қосқышты «ҚОСУЛЫ» жағдайында бекітетін басқыштың жұмысымен және орнын танысыңыз. Егер жұмыс кезінде ауыстырып-қосқыш «ҚОСУЛЫ» жағдайында бекітілген болса, апатты жағдайға және «ҚОСУЛЫ-СӨНДІРУЛІ» ауыстырып-қосқышын жылдам басу және оны «ҚОСУЛЫ» жағдайына бекіту басқышына баспай бірден босату арқылы ауыстырып-қосқышты «СӨНДІРУЛІ» жағдайына бірден ауыстыруға дайын болыңыз.
- Жұқа араның тірек табаны дайындамаға бар үстемесімен сенімді басылып тұруы қажет.
- Жұмыс кезінде қол буынын немесе саусақтарды ешқашан жұқа ара төсемінің алдына қоймаңыз.
- Егер кесу басталғанда, төсемнің қозғалыс жылдамдығы тым аз болса, құрал дырылдап немесе

- дірілдеуі мүмкін, ондайда оның ұшып кетуі ықтимал.
- Төсемді ауыстырудың және/немесе тірек табанын ретке келтірудің алдында электр айырын жұқа арадан ажыратыңыз.
- Жұқа араның тек қана өткір және ақаусыз төсемдерін қолданыңыз. Жарылған, майысқан немесе мұқалған төсемдерді бірден ауыстырыңыз.
- Араның төсемі орналасатын орынға барынша сенімді бекітілуі тиіс. Әр кезде жұмысты бастамай тұрып төсемнің сенімді бекітілгенін тексеріңіз.
- Төсемді жұқа арадан шығарған кезде төсемге қол терісін тигізбеу үшін қорғайтын сенімді қолғаптар киіңіз.
- Механизмді сөндірген соң тоқтату үшін жұқа араның төсеміне жанынан күш салмаңыз.

ҚОРАПСЫЗДАНДЫРУ

Қаптан алу кезінде барлық бөлшектердің түгел екендігіне көз жеткізіңіз. Соңғы беттегі жинақтау сызбасын қараңыз. Қандай да болмасын бөлшектер бомаған жағдайда немесе ақаулы болған жағдайда IVT қызмет көрсету орталығына жүгініңіз.

ҚОЛДАНУДЫ БАСТАУ

Қоректендіргіш кернеуінің мәні құралдың құжаттық мәліметтерінде көрсетілген төлқұжаттық деректерге сай болу керек.

ОРНАТУ/АРАЛАЙТЫН ЛЕНТАНЫ АЛМАСТЫРУ (4)



НАЗАР АУДАРЫҢЫЗ! Машинаның өзінде кез келген жұмысты бастамай тұрып, желі бауын ажыратыңыз.



НАЗАР АУДАРЫҢЫЗ! Жұқа араның жаңа төсемін ауыстырғанда немесе орнатқанда қорғайтын қолғаптар (4) киіңіз.

- Соққы штогындағы бекітетін екі бұранданы босату үшін алты қырлы кілтті (8) қолданыңыз.
- Аралайтын лентаны орнатқан кезде (тістері кесік бағытында), лентаның (4) артқы жағы бағыттайтын роликтің (5) қимасында болғанын қадағалаңыз.
- Бекітетін бұрандаларды қайта тартыңыз. Қарапайым аралайтын ленталардың барлық түрлері әмбебап ара лентасын ұстағышқа сай келеді. [F1]

ҚОСУ / СӨНДІРУ

Қосу/Сөндіру

«Қосулы/сөндірулі» сөндіргішінің (1) батырмасына басып, сонан соң жіберіңіз.

Үзіліссіз қолдану [F2]

Қосу

«Қосулы/сөндірулі» сөндіргішінің (1) батырмасына басып, бекіткішпен (2) блокқа қойыңыз.

Сөндіру

«Қосулы/сөндірулі» сөндіргішінің (1) батырмасын басып қайта жіберіңіз.

ШАҢДЫ ЖОЮ



Шаңды жою шаңның жиналып қалуының, қоршаған ауадағы шаңның көп шоғырлануының алдын алып, тазалауды жеңілдетеді.

Ағашпен ұзақ жұмыс істегенде немесе денсаулыққа зиян шаң құрайтын материалда құралды коммерциялық пайдаланған кезде, машинаны арнайы шаңды жоюға арналған сыртқы құрылғыға қосу қажет.

ЭКСПЛУАТАЦИЯ ТУРАЛЫ НҰСҚАУЛЫҚ

Аралау

- Аралауды бастамай тұрып жұқа ара төсемі (4) дұрыс орнатылғанына көз жеткізіңіз, және алдыңғы бағыттаушыны барынша түсіріңіз (3).
- Жұқа араның тірек табаны (6) дайындамаға бар үстемесімен сенімді басылып тұруы қажет.
- Жұқа ара төсеміне салмақ салмаңыз, әйтпесе төсем (4) қызып кетеді және/немесе майысады және/немесе сынады.
- Егер кесілетін материал жұқа болса, дірілді басып, аралау сапасын арттыру үшін қосымша тақтаға/плитаға орналастыру қажет.
- Ұзақ кескен кезде ара-арасында электрлі жұқа араны суытыңыз және бағыттаушы роликті (5) бірнеше тамшы маймен майлаңыз.
- Құралды жою үшін жұқа ара төсемі (4) тоқтағанша күте тұру қажет.

Кесу бұрышын реттеу

- Машиналық қол араны бұрыштан кесуге орнату үшін алты қырлы кілттің көмегімен бекітетін бұрандаларды бұрап шығарып, сонан соң негізді өзінің бұрынғы қалпынан артқа қарай жылжыту қажет.
- Тіректі оңға немесе солға иіп, кесу бұрышын орнатыңыз.

- Бекітетін екі бұранданы да тығыздап тартыңыз. [F3]

Ойып орнату



НАЗАР АУДАРЫҢЫЗ! Ағаш, пенобетон, гипсокартон және т.б. жұмсақ материалдар ғана ойып орнату тәсілімен өңделі алады.

Ағашты оюды алдын ала бұрғылаусыз, жұмыс істеп тұрған машинамен материалды тесіп оюға болады. Оны орындау үшін белгілі бір тәжірибе қажет; мұндай әрекеттерді тек қана аралайтын қысқа лентаның көмегімен орындауға болады.

- Тірек плитасының алдыңғы жағын өңделетін дайындамаға орналастырып, машинаны қосыңыз.
- Құралды дайындамаға тығыздап жаншып, аралайтын лентаны дайындамаға жайлап ойып салыңыз.
- Қажетті тереңдікке қол жеткен соң, құралды қалыпты жұмыс жағдайына тірек плитасының үстемесі толықтай дайындамаға тірелетіндей етіп келтіріңіз, сонан соң кесік бағытымен аралауды жалғастыра беріңіз. [F4]
- Кесуді аяқтаған соң, құралды алдымен сөндіріп, сонан соң оны кесіктен шығарыңыз.

Шеңбер кесу (дөңгелек бағыттағыш жиынтыққа кірмеген) [F5]

- Кесу орындалатын шеңберді белгілеп, оның тура ортасынан тесікті бұрап тесіңіз.
- Егер кесу материалдың шетінен басталмаса – кесу басталатын тесікті бұрап тесіңіз.
- Дөңгелек бағыттағышты құралға орнатыңыз.
- Кесу радиусын анықтау үшін дөңгелек бағыттағышты шығарып, оны елтірі бұранданың көмегімен бекітіп қойыңыз.
- Орталық тесікке ортаға дәл келтіретін штифт орнатып, құралды шеңбермен қозғай отырып кесуді бастаңыз.

Оптималды нәтижеге қол жеткізу үшін жіңішке жүздерді қолдануға кеңес беріледі.

ҚЫЗМЕТ КӨРСЕТУ ЖӘНЕ САҚТАУ



АБАЙ БОЛЫҢЫЗ! Құралмен жұмысты бастау алдында желілік ашаны алып тасатыңыз.

- Құралды және желдеткіш саңылауларын (егер болса) тазалықта ұстаңыз. Үнемі тазарту және



қызмет көрсету құралдың жоғары тиімділігін және ұзақ уақыт қолданылуын кепілдейді.

- Өндіріс пен сынаудың мінсіз шарттарына қарамастан, істен шыққан жағдайда, жөндеу жұмыстары IVT ресми орталықтарында жүргізілуі керек.
- Барлық сақиналар, болттар және бұрамалар мұқият бұралуы керек.
- Ақауланған немесе тозған бөлшектерді алмастырыңыз.
- Тек түпнұсқалық қосалқы бөлшектерді ғана пайдаланыңыз. Басқа тараптық өндіруші дайындаған бөлшектер нақты сай болмайды және жарақаттану қаупін жоғарылатады.
- Құралды құрғақ әрі балалардың қолы жетпейтін жерде, тез тұтанатын материалдардан қауіпсіз қашықтықта сақтаңыз.
- Құралға су тигізбеңіз!

ҚОРШАҒАН ОРТАНЫ ҚОРҒАУ




Қалдықты болдырмау мақсатында шикізатты қайта қолдану!

Құралды, қосымша жабдықтарды және қаптаманы экологиялық таза жолмен қайта өңдеуге жіберу керек.

Пластикалық бөлшектер классификациялық қайта өңдеуге жіберіледі.

Осы нұсқаулықтар хлор пайдаланбай дайындалған екінші өңделім қағазына басылған.

 **ҚР аумағында сапа бойынша наразылықтарды қабылдайтын ұйым:** «Костанай DWT/ДВТ» ЖШС | Қостанай қ. Целинная көш., 4 - Қазақстан Республикасы | тел (7142) 28 07 00, -01 | *Организация, принимающая претензии на территории РК: ТОО «Костанай DWT/ДВТ»* | г. Костанай, ул. Целинная, 4 - Республика Казахстан | тел (7142) 28 07 00, -01



НАЗАР АУДАРЫҢЫЗ! БҰЙЫМҒА ӨЗ БЕТІҢІЗБЕН ЖӨНДЕУ ЖҮРГІЗІП, ОНЫҢ ІЗДЕРІН ЖАСЫРУҒА ТЫРЫСУҒА МҮЛДЕМ БОЛМАЙДЫ! Тек қана авторлық құқығы бар қызмет көрсету орталығының жөндеу жүргізуге және қамтылған техникалық қызмет көрсетуге құқығы бар. Бұйымның ішкі құрылымына өзгерістер енгізуге тыйым салынады! МҮНДАЙ ӘРЕКЕТТЕР КЕПІЛДІК МІНДЕТТЕМЕЛЕРДЕН БАС ТARTУҒА НЕГІЗ БОЛЫП ҚАНА ҚОЙМАЙ, СОНЫМЕН ҚАТАР ҚАУІПТІ ЖАРАҚАТ АЛУҒА ЖӘНЕ ЗИЯН КЕЛТІРУГЕ СЕБЕПШІ БОЛУЫ МҮМКІН.

DANE TECHNICZNE NARZĘDZIA

Model	JS-400
Napięcie ~ Częstotliwość [V ~ Hz]	230 ~ 50
Moc znamionowa [W]	400
Ustawianie ilości skoków, bieg jałowy [Skoków/min]	3000
Głębokość cięcia w drewnie [mm]	55
Głębokość cięcia w aluminium [mm]	10
Głębokość cięcia w stal [mm]	6
Poziom wibracji [m/s ²]	DREWNO: 7.3 (K=1.5) STAL: 11.1 (K=1.5)
Poziom ciśnienia akustycznego [dBA]	85 (K=3)
Poziom mocy akustycznej [dBA]	96 (K=3)
Waga [Kg]	1.7
Klasa bezpieczeństwa	II

CZĘŚCI

1. Przełącznik Włączone/wyłączone (On/off)
2. Ustalacz
3. Osłona zabezpieczająca
4. Brzeszczot
5. Rolka prowadnicza
6. Podstawa
7. Otwory wentylacyjne
8. Klucz imbusowy

ZAWARTOŚĆ PUDŁA

Instrukcja użytkowania (1 szt.), brzeszczot (1 szt.), klucz imbusowy (1 szt.).

PROPONOWANE UŻYCIE

Dany model wyrzynarki jest przeznaczony do rozpiłowania drewna, wyrobów z masy plastycznej i materiałów aluminiowych. Dzięki szerokiemu asortymentowi akcesoriów i dodatkowych brzeszczotów, dostępnych opcjonalnie, dane urządzenie ma wiele zastosowań, zapewnia ono wykonanie wygiętych lub kołowych przekrojów.

ZASADY BEZPIECZEŃSTWA PODCZAS UŻYTKOWANIA

Ogólne zasady bezpieczeństwa

Następujące wskazówki odnośnie zasad bezpieczeństwa pomogą Państwu w prawidłowym użytkowaniu narzędzia i zapewnieniu sobie bezpieczeństwa. Dlatego proszę je wnikliwie i uważnie przeczytać.

W przypadku przekazania narzędzia do użytkowania osobie trzeciej, proszę przekazać również niniejsze wskazówki odnośnie zasad bezpieczeństwa.

Proszę zachować niniejszą instrukcję i inne ulotki, będące częścią dostawy. Proszę zaglądać do nich w przypadku zaistnienia pytań.

Proszę ściśle przestrzegać zasad bezpieczeństwa i ostrzeżeń zamieszczonych na narzędziu.

Przed rozpoczęciem pracy proszę zapoznać się z częściami sterującymi narzędzia, a przede wszystkim zapoznać się ze sposobami jego zatrzymania w sytuacjach nagłych.

Przestrzegając tych prostych instrukcji, utrzymacie Państwo wasze narzędzie w stanie sprawności.

- Przed użyciem narzędzie należy prawidłowo zmontować.

- Narzędzia należy używać ściśle zgodnie z przeznaczeniem.

- Proszę z uwagą traktować napisy ostrzegawcze na narzędziu i wnikliwie się z nimi zapoznać. Uważność, rozsądne podejście do pracy i odpowiednie przygotowanie osób, uczestniczących w użytkowaniu, transporcie oraz obsłudze, pomogą zapobiegać nieszczęśliwym wypadkom.

- Nie zostawiać narzędzia bez nadzoru.
- Nie dopuszczać do użytkowania narzędzia przez dzieci. Nie pozwalać dzieciom bawić się narzędziem.

- Nie dopuszczać do przebywania w pobliżu narzędzia dzieci i zwierząt. Osoby, które mają ochotę poobserwować pracę narzędzia, powinny znajdować się w bezpiecznej odległości od niego.

- Podczas pracy z narzędziem użytkownik ponosi odpowiedzialność za bezpieczeństwo osób trzecich.

- Osoby, nie zaznajomione z instrukcjami użytkowania, dzieci, osoby niepełnoletnie, które nie osiągnęły wieku, pozwalającego na użytkowanie narzędzia, a także



osoby, znajdujące się w stanie upojenia alkoholowego lub będące pod wpływem narkotyków albo produktów leczniczych, nie mogą być dopuszczone do pracy z narzędziem. Wiek operatora określają miejscowe akty normalatywne.



OSTROŻNIE! Alkohol, niektóre produkty lecznicze i substancje narkotyczne, a także niedyspozycja zdrowotna, upał i zmęczenie obniżają szybkość reakcji. Nie używać danego narzędzia w wymienionych powyżej przypadkach.

- Upewnić się, że wszystkie urządzenia ochronne (o ile takowe są) zostały zamontowane i są zadane do eksploatacji.
- Nie używać narzędzia bez urządzeń ochronnych (o ile takowe są) lub w przypadku ich uszkodzenia.
- Dokonać oględzin pod względem nie przymocowanych części (nakrętek, śrub, wkrętów itd.) lub uszkodzeń. W celu zapewnienia bezpiecznej pracy narzędzia należy okresowo sprawdzać, czy śruby i wkręty są dobrze dokręcone (o ile takowe są). W razie konieczności przed użyciem narzędzia należy dokonać ich naprawy lub wymiany. W przypadku użycia uszkodzonego narzędzia operator lub osoby postronne mogą zostać poważnie zranione.
- Używać do pracy odpowiedniej odzieży specjalnej. Obszerne ubrania, ozdoby mogą zostać wciągnięte przez ruchome części. Pracować tylko w nadającej się do tego specjalnej odzieży. Chronić nogi i stopy przed rozlatującymi się odpadami. Nie pracować boso lub w odkrytych sandałach. Zebrać długie włosy z tyłu głowy.
- Utrzymywać ręczki i rękojeści w czystości oraz suchości.
- Używać odpowiednich środków ochrony indywidualnej. Używać okularów ochronnych i rękawic. Podczas pracy z proszkami lub w przypadku wyrzutu spalin korzystać z respiratora przeciwpyłowego. W razie konieczności nałożyć nie śliskie obuwie, kask i zabezpieczyć organy słuchowe zatyczkami. Jeśli poziom hałasu przekracza 85 dB(A), obowiązkowo należy używać ochronnych nasuszników.



OSTROŻNIE! Korzystać ze środków ochrony indywidualnej! Urządzenia ochronne i środki ochrony indywidualnej zapewniają bezpieczeństwo Państwa zdrowia i zdrowia osób z otoczenia, a także gwarantują sprawną pracę narzędzia.

- Nie włączać narzędzia, jeśli jest ono przewrócone

lub znajduje się w stanie spoczynku.

- Podczas pracy zająć stabilną pozycję. Stale utrzymywać równowagę.
- Zachowywać czystość miejsca pracy. W miejscach zavalonych rzeczami obserwuje się wysoki poziom wypadkowości. Przed użyciem narzędzia sprzątnąć z miejsca pracy wszystkie postronne przedmioty, a także unikać podczas pracy wpadnięcia pod narzędzie postronnych przedmiotów.
- Nie naciskać mocno na narzędzie podczas pracy.
- Używać narzędzia tylko przy dobrym dziennym świetle lub sztucznym oświetleniu. Nie używać narzędzia w warunkach złej widoczności.
- Nie upuszczać narzędzia, nie dopuszczać do zderzenia narzędzia z jakimikolwiek przeszkodami.

OSTROŻNIE! Bądźcie uważni. Nie odrywać wzroku od obrabianego przy pomocy narzędzia przedmiotu. Oderwanie uwagi może spowodować utratę kontroli. Podchodzić do pracy rozsądnie.

Zasady bezpieczeństwa elektrycznego

UWAGA! W celu zapobieżenia porażenia prądem elektrycznym, wyrządzeniu szkody zdrowiu lub poparzeniu podczas użytkowania narzędzi elektrycznych należy koniecznie przestrzegać niniejszej instrukcji bezpiecznego użytkowania. Przed użyciem narzędzia przeczytać daną instrukcję i ściśle jej przestrzegać.

- Dla zapewnienia odpowiedniego poziomu bezpieczeństwa zalecane jest używanie zabezpieczenia różnicowego, przewidzianego dla prądu wyłączeniowego nie większego niż 30 mA. Sprawdzać sprawność zabezpieczenia różnicowego przed każdym użyciem. Skonsultować się z wykwalifikowanym elektrykiem.



UWAGA! Korzystanie z zabezpieczenia różnicowego lub innego wyłącznika ochronnego nie zwalnia operatora od obowiązkowego zapoznania się z zasadami bezpieczeństwa i sposobami bezpiecznej pracy, wskazanymi w danej instrukcji.

- Napięcie sieci powinno odpowiadać wielkości, wskazanej na etykiecie oraz w instrukcji. Nie używać innych źródeł zasilania.
- Przed podłączeniem narzędzia do sieci upewnić się, że gniazdo odpowiada danym, wskazanym na etykiecie.
- Nie dotykać ciałem do uziemionych powierzchni

(rur, promienników ciepła, baterii i chłodziarek). Przy uziemieniu przez ciało zwiększa się ryzyko porażenia prądem elektrycznym.



OSTROŻNIE! W celu zapobieżenia poparzeniu lub porażeniu prądem elektrycznym nie dotykać części przewodzących prąd.

- Nie ciągnąć za kabel zasilający podczas przemieszczania narzędzia.
- Z ostrożnością używać kabla zasilającego. Chronić kabel zasilający przed działaniem ciepła, unikać jego kontaktu ze smarami, a także ostrymi przedmiotami lub ruchomymi częściami.
- Ostrożnie obchodzić się z kablem zasilającym.
- Nie używać narzędzia elektrycznego w pobliżu łatwo zapalnych cieczy i gazów palnych.
- Przed przeniesieniem narzędzia w inne miejsce należy odłączyć je od sieci.



OSTROŻNIE! Narzędzie należy najpierw wyłączyć, a potem odłączyć z gniazdka lub przedłużacza.

- Nie ścisnąć mocno i nie splątywać kabla zasilającego lub przedłużacza podczas pracy narzędzia. Nie tracić kabla z pola widzenia.
- Nie podłączać samodzielnie kabla zasilającego do narzędzia. Zwrócić się do najbliższego centrum obsługi.
- W przypadku uszkodzenia kabla zasilającego należy obowiązkowo wymienić go u przedstawiciela lub jego agenta albo dokonać wymiany u innego wykwalifikowanego specjalisty.
- Niezwłocznie odłączyć wtyczkę z gniazdka, jeśli kabel zasilający uległ uszkodzeniu lub rozcięciu.



UWAGA! NIEBEZPIECZEŃSTWO PORAŻENIA ELEKTRYCZNYM! PRĄDEM

Zwracać uwagę na swoje miejsce pracy. Nie używać narzędzi elektrycznych w deszczu. Nie używać narzędzi elektrycznych w wilgotnych i ciemnych pomieszczeniach. Utrzymywać miejsce pracy w suchości, zapewniać dobre oświetlenie. Chronić narzędzie przed wilgocią. Nie zostawiać narzędzia na otwartym powietrzu na noc. W przypadku dostania się wody do narzędzia elektrycznego zwiększa się ryzyko porażenia prądem elektrycznym.

- Regularnie i za każdym razem przed użyciem sprawdzać kabel zasilający pod kątem uszkodzeń i oznak zużycia. Nie używać narzędzia z uszkodzonym kablem zasilającym; zwrócić się do oficjalnego centrum obsługi.
- Podczas pracy na ulicy używać tylko przeznaczonych do tego przedłużaczy z odpowiednim oznakowaniem. Unikać dostawania się przedłużacza pod narzędzie, chronić go przed wilgocią, działaniem ciepła, unikać kontaktu ze smarami i substancjami łatwopalnymi.
- Unikać przypadkowego uruchomienia narzędzia: przed podłączeniem narzędzia do sieci upewnić się, że wyłącznik (o ile jest) znajduje się w pozycji „off” (wył.).
- Przed włączeniem narzędzia usunąć kliny montażowe i klucze.
- Nie używać narzędzia z niesprawnym wyłącznikiem. Narzędzie z niesprawnym wyłącznikiem stanowi zagrożenie i wymaga naprawy.



UWAGA! Niekiedy podczas pracy z narzędziami elektrycznymi powstaje pył, zawierający substancje powodujące nowotwory.

Do takich substancji chemicznych należą: ołów, wchodzący w skład bieli ołowiowej, kwar, wchodzący w skład cegieł i cementu, arsen i chrom, wchodzące w skład opiółków, poddanych obróbce z użyciem reagentów chemicznych oraz inne szkodliwe substancje. Ryzyko oddziaływania danych substancji chemicznych zależy od częstości przeprowadzania związanych z nimi prac. **Aby zmniejszyć ich szkodliwe oddziaływanie, należy pracować w dobrze wietrzonym pomieszczeniu i używać sprawnych środków ochrony indywidualnej, na przykład respiratorów przeciwpyłowych, specjalnie opracowanych do odfiltrowania mikroskopijnych cząstek.**

- W przypadku wpadnięcia pod narzędzie postronnego przedmiotu należy dokonać oględzin pod kątem uszkodzeń oraz przeprowadzić niezbędną naprawę.
- W przypadku zaistnienia nadmiernej wibracji, wyłączyć narzędzie i niezwłocznie wyjaśnić przyczynę. Wibracja zwykle stanowi oznakę uszkodzenia.
- Przed opuszczeniem miejsca pracy, dokonaniem naprawy, oględzin lub czyszczenia narzędzia, odłączyć je i poczekać do chwili całkowitego zatrzymania się ruchomych części.
- Zabrania się zdejmowania lub zamiany wewnętrznych części narzędzia.

Szczególne zasady bezpieczeństwa

- Nigdy nie należy piłować materiałów azbestowych,



ponieważ mogą spowodować niebezpieczny dla zdrowia pył.

- W celu obniżenia poziomu oddziaływania szkodliwych substancji chemicznych, które mogą zawierać się w obrabianych materiałach, należy pracować w dobrze przewietrzonym pomieszczeniu i zakładać zaaprobowane środki ochronne, takie jak maski przeciwkurczowe, które są przeznaczone do filtrowania cząstek mikroskopijnych; należy również podłączać odkurzacz.

- W celu mocowania obrabianego przedmiotu do stabilnej powierzchni należy używać zwornicy lub korzystać z innych stosownych urządzeń. Trzymanie obrabianego przedmiotu ręką lub przyciskanie do ciała nie zapewnia pozycji statecznej, co może spowodować utratę kontroli. Nie należy obrabiać przedmiotów, które nie można przymocować w stanie roboczym z powodu bardzo małego rozmiaru.

- Nigdy nie należy ciąć, wiercić i piłować w strefach ślepych, gdzie mogą znajdować się instalacje elektryczne, gazowe lub wodociągowe. W celu wykrycia takich instalacji należy stosować odpowiednie wykrywacze.

- Należy trzymać drogę skrawania wolną od przeszkód jak na wierzchu, tak na dole przedmiotu obrabianego.

- Należy zapoznać się z lokalizacją i działaniem przycisku mocującego przełącznik w stanie „WŁĄCZONE”. Jeśli w trakcie pracy przełącznik będzie zamocowany w stanie „WŁ.”, należy przygotować się do stanu grożącego awarią i do natychmiastowego przeprowadzenia przełącznika do stanu „WYŁ.” przy pomocy szybkiego naciśnięcia przełącznika „WŁ./WYŁ.” i natychmiastowego jego wypuszczenia bez naciskania przycisku mocującego stanu „WŁ.”.

- Płyta oporowa wyrzynarki powinna być niezawodnie przyciśnięta całą powierzchnią do przedmiotu obrabianego.

- W trakcie pracy nigdy nie lokować dłoń lub palec przed brzeszczotem wyrzynarki.

- Jeśli na początku cięcia prędkość ruchu brzeszczotu jest mała, narzędzie może brzęczeć lub wibrować, możliwy jest odrzut narzędzia.

- Należy zawsze wyciągać wtyczkę wyrzynarki z gniazda wtyczkowego przed wymianą brzeszczotu i/lub przed nastawieniem płyty oporowej.

- Stosować tylko ostre i nieuszkodzone brzeszczoty. Natychmiastowo wymieniać pęknięte, wygięte lub stępione brzeszczoty.

- Brzeszczot piły powinien być całkowicie niezawodnie zamocowany w uchwycie. Za każdym razem przed rozpoczęciem pracy należy sprawdzać niezawodność mocowania brzeszczotu.

- Podczas wyciągania brzeszczotu z wyrzynarki należy zakładać niezawodne rękawice ochronne, aby uniknąć kontaktu skóry rąk z brzeszczotem.

- Po wyłączeniu nie należy stosować wysiłku ocznego w stosunku do brzeszczotu wyrzynarki w celu jego zatrzymania.

OTWARCIE OPAKOWANIA

Przy otwarciu opakowania sprawdzić, czy zawiera ono wszystkie części. Patrz: schematy załączone do niniejszej instrukcji. W przypadku braku lub niesprawności którejkolwiek z części, należy zwrócić się do centrum obsługi iVT.

POCZĄTEK UŻYTKOWANIA

Wartość napięcia prądu powinna odpowiadać wartości wskazanej w tabeli danych z paszportu narzędzia.

MONTAŻ/WYMIANA BRZESZCZOTU (4)



UWAGA! Przed rozpoczęciem jakichkolwiek prac na samej maszynie, odłączyć przewód zasilający



UWAGA! Podczas wymiany lub montażu nowego brzeszczotu wyrzynarki należy zakładać rękawice ochronne (4).

- Używać klucza imbusowego (8) do rozluźnienia obydwojch śrub mocujących na trzonie.

- Podczas montażu brzeszczota (zęby tną w ruchu posuwistym), uważać na to, aby tylna część brzeszczotu (4) znajdowała się w rowku rolki prowadniczej (5).

- Znow dociągnąć śruby mocujące. Wszystkie rodzaje zwykłych brzeszczotów pasują do uniwersalnego uchwytu brzeszczota. **[F1]**

PRZEŁĄCZNIK WŁĄCZONE/ WYŁĄCZONE (ON/OFF)

Krótkotrwałe stosowanie

Nacisnąć przycisk On/Off (Włączne/wyłączone) (1) i potem popuścić.

Ciągłe stosowanie [F2]

Włączenie

Nacisnąć przycisk On/Off (1) i zablokować przy pomocy ustalacza (2).

Wyłączenie

Nacisnąć i popuścić przycisk przełącznika On/Off (Włączone/ Wyłączone) (1).

USUWANIE KURZU



Usuwanie kurzu zapobiega gromadzeniu kurzu, wysokiej koncentracji kurzu w powietrzu otaczającym i ułatwia utylizację.

Podczas długotrwałej pracy z drewnem lub z materiałami do użytku komercyjnego, wydzielającymi szkodliwy dla zdrowia kurz, maszynę należy podłączyć do odpowiedniego zewnętrznego urządzenia do usuwania kurzu.

ZALECENIA EKSPLOATACYJNE

Piłowanie

- Przed rozpoczęciem piłowania należy upewnić się w tym, że brzeszczot wyrzynarki (4) jest ustawiony prawidłowo i maksymalnie opuścić przednią prowadnicę (3).
- Płyta oporowa (6) wyrzynarki powinna być mocno przyciśnięta całą powierzchnią do przedmiotu obrabianego.
- Nie należy stosować wysiłku w stosunku do brzeszczotu wyrzynarki, inaczej brzeszczot (4) przegrzeje się i zostanie ugięty i/lub złamie się.
- Jeśli materiał do cięcia jest cienki, należy umieścić go na płycie pomocniczej w celu gaszenia wibracji i polepszenia jakości piłowania.
- W przypadku długich rozcięć należy od czasu do czasu pozwalać wyrzynarce ostygnąć, podczas przerwy należy smarować wałek kierujący (5) kilkoma kroplami oleju.
- Przed odłożeniem urządzenia należy upewnić się w tym, że brzeszczot wyrzynarki (4) całkowicie się zatrzymał.

Ustawienie kąta cięcia

- Aby ustawić wyrzynarkę do cięcia pod kątem, należy odkręcić śruby mocujące z podstawy przy pomocy klucza imbusowego, potem przesunąć podstawę do tyłu z jej pozycji wyjściowej.
- Ustawić kąt cięcia nachylając podstawę w prawo lub w lewo.
- Mocno dociągnąć obydwie śruby mocujące [F3]

Wcinanie



UWAGA! Tylko miękkie materiały, takie jak drewno, pianobeton, gipsokarton itp. mogą być obrabiane metodą wcinania.

Wciąć do drewna można wykonywać bez uprzedniego wiercenia, przebijając materiał przy pomocy uruchomionej maszyny. Do wykonania tego jest potrzebne pewne doświadczenie; takie czynności

można wykonywać tylko przy pomocy krótkiego brzeszczotu.

- Pomieścić przednią krawędź podstawy na obrabiany półwyrob i włączyć maszynę.
- Mocno przycisnąć narzędzie do półwyrobu i powoli wcinąć brzeszczot do półwyrobu.
- Po osiągnięciu odpowiedniej głębokości cięcia, zwrócić narzędzie do normalnej pozycji roboczej w ten sposób, aby cała powierzchnia podstawy opierała się na półwyrobie i kontynuować piłowanie wzdłuż linii cięcia. [F4]
- Po zakończeniu cięcia, należy najpierw wyłączyć narzędzie, potem wyciągnąć go z rozcięcia.

Cięcie na okrągło (prowadnica kołowa nie jest włączona do zestawu) [F5]

- Zaznaczyć koło, zgodnie z którym będzie wykonywane cięcie i przewiercić otwór w centrum.
- Jeśli cięcie nie zacznie cię od krawędzi materiału, należy przewiercić otwór z którego zacznie się cięcie.
- Zamontować prowadnicę kołową do maszyny.
- Wystawić prowadnicę kołową dla określenia średnicy cięcia i przymocować ją przy pomocy wkrętu skrzydełkowego.
- Zamontować kołek centrujący do otworu środkowego i rozpocząć cięcie, przesuwając narzędzie na okrągło.

W celu otrzymania najlepszych wyników należy stosować wąskie brzeszczoty.

OBSŁUGA I PRZECHOWYWANIE



OSTROŻNIE! Przed rozpoczęciem pracy z narzędziem należy odłączyć go od gniazdka.

- Utrzymywać narzędzie i otwory wentylacyjne (o ile są) w czystości. Regularne oczyszczanie i obsługa gwarantują wysoką efektywność i długie użytkowanie narzędzia.
- W przypadku zepsucia się, bez względu na przestrzeganie wszystkich zasad użytkowania i pobierania prób narzędzia, naprawa powinna być dokonywana w oficjalnym centrum serwisowym IVT.
- Wszystkie nakrętki, śruby i wkręty powinny być dokładnie dokręcone.
- Należy wymienić uszkodzone lub zużyte części.
- Używać tylko oryginalnych części zamiennych. Części, wyprodukowane przez innych producentów, niedokładnie przylegają i zwiększają ryzyko powstania urazów.
- Przechowywać narzędzie w suchym niedostępnym dla dzieci miejscu, w bezpiecznej odległości od



materiałów łatwopalnych.

- Unikać zachlapania narzędzia wodą!

OCHRONA ŚRODOWISKA NATURALNEGO



Oddawajcie śmieci i odpadki do przeróbki!

Narzędzie, urządzenia dodatkowe i opakowanie należy odesłać do bezpiecznej z ekologicznego punktu widzenia przeróbki.

Elementy plastikowe są oznaczone adnotacją o możliwości klasyfikowanej przeróbki. Niniejsza instrukcja została wydrukowana na papierze makulaturowym, nie zawierającym chloru.

PL



UWAGA! NIE NALEŻY DOKONYWAC PRÓB SAMODZIELNEJ NAPRAWY PRODUKTU ANI PRZY NIM MANIPULOWAĆ! Wszelkie działania dotyczące naprawy lub dodatkowej konserwacji muszą przeprowadzać wykwalifikowani i autoryzowani pracownicy centrum usługowego IVT. Nie należy dokonywać prób modyfikacji żadnych wewnętrznych części produktu! **CZYNNOŚĆ TAKA SPOWODUJE CAŁKOWITE UNIEWAŻNIENIE GWARANCJI, A TAKŻE MOŻE DOPROWADZIC DO POWAŻNEGO USZKODZENIA CIAŁA LUB PRODUKTU.**

ХАРАКТАРЫСТЫКА ІНСТРУМЕНТА

Мадэль	JS-400
Напружанне ~ частата [В ~ Гц]	230 ~ 50
Намінальная магутнасць [Вт]	400
Частата хадоў на халастой хадзе [аб./хв.]	3000
Рэжучая здольнасць па дрэве [мм]	55
Рэжучая здольнасць па алюмініі [мм]	10
Рэжучая здольнасць па сталі [мм]	6
Узровень вібрацыі [m/s ²]	ДРЭВА: 7.3 (К=1.5) СТАЛЬ: 11.1 (К=1.5)
Узровень гукавога ціску [дБ(А)]	85 (К=3)
Узровень гукавой магутнасці [дБ(А)]	96 (К=3)
Вага [кг]	1.7
Клас бяспекі	II

ПЕРАЛІК ЗАПЧАСТАК

1. Выключальнік «уключана/выключана»
2. Фіксатар
3. Пярэдняе ахоўнае прыстасаванне
4. Пільная стужка
5. Накіравальны ролік
6. Апорная пліта
7. Вентыляцыйныя адтуліны
8. Шасцігранны ключ

ЗМЕСЦІВА СКРЫНКІ

Інструкцыя па эксплуатацыі (1 шт.), пільная стужка (1 шт.), шасцігранны ключ (1 шт.).

ПРЫЗНАЧЭННЕ

Машынным нажоўкі дадзенай мадэлі прызначаны для распілоўвання драўніны, пластмас і алюмініевых матэрыялаў. Дзякуючы шырокаму асартыменту аксэсуараў і пільных стужак, наяўных ў якасці дадатковых прыстасаванняў, дадзеную прыладу можна выкарыстоўваць для па-рознаму. Прылада забяспечвае атрыманне выгнутых ці кругавых разрэзаў.

ТЭХНІКА БЯСПЕКІ ПАДЧАС ЭКСПЛУАТАЦЫІ

Агульныя правілы бяспекі

Наступныя інструкцыі па тэхніцы бяспекі дапамогуць карыстальніку правільна выкарыстоўваць прыладу і забяспечыць уласную бяспеку. Таму варты прачытаць іх уважліва.

У выпадку перадачы прылады трэцяй асобе, неабходна перадаць і сапраўдныя інструкцыі па тэхніцы бяспекі.

Захавайце дадзеную інструкцыю і іншую літаратуру, якая ўваходзіць у камплект пастаўкі.

Вынікайце тэхніцы бяспекі і перасцярогам на інструменты.

Перад пачаткам працы азнаёмцеся з органамі кіравання прыбора, але, першым чынам, вывучыце спосабы яго экстранага прыпынку.

Выконванне гэтых простых інструкцый дапаможа ўтрымоўваць ваш інструмент у спраўным стане.

- Перад выкарыстаннем інструмент неабходна правільна сабраць.

- Выкарыстоўвайце інструмент толькі па прызначэнні.

- Вывучыце папераджальныя надпісы на інструменты, вынікайце ўказанням па выкарыстанні ахоўных прыстасаванняў. Прадурхіліць няшчасныя выпадкі дапамогуць уважлівасць і разумны падыход да працы і адпаведная падрыхтоўка асоб, задзейнічаных у эксплуатацыі, транспартаванні, абслугоўванні і захоўванні інструмента.

- Не пакідайце інструмент без нагляду.

- Не дапушчайце выкарыстанне інструмента дзецьмі. Не дазваляйце дзецям гуляць з інструментам.

- Не дапушчайце знаходжання зблізка дзяцей і жывёл. Староннія асобы павінны знаходзіцца на бяспечнай адлегласці ад працуючага інструмента. Спыніце працу, калі паблізу знаходзяцца староннія людзі, асабліва дзеці, ці жывёлы.

- Пры працы з інструментам карыстач нясе адказнасць за трэціх асоб.

- Асобы, не азнаёмленыя з інструкцыямі па эксплуатацыі, дзеці, непаўналетнія, не дасягнулыя



ўзросту, які дазваляе выкарыстоўваць інструмент, а таксама асобы, якія знаходзяцца ў стане алкагольнага ці наркатычнага ап'янення, або пад уздзеяннем медыцынскіх прэпаратаў, не дапушчаюцца да працы з інструментам. Узрост аператара вызначаны ў мясцовых нарматыўных актах.



АСЦЯРОЖНА! Алкаголь, некаторыя лекавыя прэпараты і наркатычныя рэчывы, а таксама стан хворасці, жар і стома зніжаюць хуткасць рэакцыі. Не выкарыстоўвайце электраінструменты ў вышэйпералічаных выпадках.

- Пераканайцеся, што ўсе ахоўныя прыстасаванні (ёсць у наяўнасці) ўсталюваны і прыдатныя да эксплуатацыі.
- Не выкарыстоўвайце інструмент без ахоўных прыстасаванняў (ёсць у наяўнасці), або калі яны пашкоджаны.
- Аглядзіце інструмент на наяўнасць незамацаваных дэталю (гаек, нітаў, шруб і г.д.) ці пашкоджанняў. Каб забяспечыць бяспечную работу інструмента, перыядычна правярайце, ці добра зацягнуты ніты і шрубы (ёсць у наяўнасці). Пры неабходнасці перад выкарыстаннем інструмента вырабіце іх ремонт ці замену. У выпадку выкарыстання пашкоджанага інструмента аператару ці староннім тварам могуць быць нанесены сур'ёзныя траўмы.
- Выкарыстоўвайце для работы адпаведную спецовратку. Прасторная адзежа, упрыгожванні могуць быць зацягнуты рухомымі часткамі. Выкарыстоўвайце адпаведную спецовратку, доўгія штаны і трывалы абутак. Ахоўвайце ногі і ступні ад разлятаючага смецця. Не працуйце басанож ці ў адкрытых сандалях. Збярыце доўгія валасы ззаду.
- Утрымоўваеце рукі ў чысціні і сухасці.
- Выкарыстоўвайце адпаведныя ахоўныя прынады. Выкарыстоўвайце ахоўныя акулеры і пальчаткі. Пры працы з парашкамі або пры выкідах выхляпных газаў выкарыстоўвайце супрацьпылевай рэспіратар. Пры неабходнасці надзеўце няслызкай абутак, каску і вушныя ўкладышы. Калі ўзровень шуму перавышае 85 дБ(А), абавязкова выкарыстоўвайце ахоўныя слухаўкі.



АСЦЯРОЖНА! Выкарыстоўвайце сродкі індывідуальнай аховы! Ахоўныя прыстасаванні і сродкі індывідуальнай аховы забяспечваюць ахову вашага здароўя і здароўя іншых асоб, а таксама гарантуюць бесперабойную работу інструмента.

- Не запускайце інструмент, калі ён знаходзіцца ў перавернутым ці няправільным працоўным палажэнні.
- Падчас працы захоўвайце ўстойлівае становішча. Увесь час захоўвайце раўнавагу.
- Захоўвайце чысціню на працоўным участку. На загрузачных участках назіраецца высокі ўзровень траўматызму. Перад выкарыстаннем інструмента прыбярыце з рабочай пляцоўкі ўсе староннія прадметы, а таксама пазбягайце пападання пад інструмент старонніх прадметаў падчас працы.
- Не перагружайце інструмент.
- Выкарыстоўвайце прыладу толькі пры дзённым або добрым штучным асвятленні. Не выкарыстоўвайце інструмент ва ўмовах дрэннай бачнасці.
- Не губляйце інструмент, не дапускайце сутыкнення інструмента з якімі-небудзь перашкодамі.

АСЦЯРОЖНА! Будзьце ўважлівыя. Сачыце за працай. Адцягнуўшыся, можна страціць кіраванне. Выкарыстоўвайце разумны сэнс.

Правілы электрабяспекі

УВАГА! У мэтах прадухілення ўдару электрычным токам, траўматызму ці ўзгарання пры выкарыстанні электраінструментаў неабходна выконваць наступныя інструкцыі па тэхніцы бяспекі. Перад выкарыстаннем прылады прачытайце і старанна выконвайце дадзеныя інструкцыі.

- Каб павысіць узровень бяспекі, рэкамендуецца выкарыстоўваць прыладу дыферэнцыяльнай абароны (ПДА), разлічанае на ток адключэння не больш чым 30 мА. Правярайце ПДА пры кожным выкарыстанні. Звярніцеся да кваліфікаванага электрыка.



Інструкцыя па эксплуатацыі



УВАГА! Выкарыстанне ПДА ці іншага перарывальніка не вызваляе аператара ад абавязковага азнаямлення з правіламі тэхнікі бяспекі і прыёмамі бяспечнай працы, вызначанымі ў дадзенай інструкцыі.

- Напруга сеткі павінна адпавядаць значэнню, паказанаму на таблічцы ці цэтліку. Не выкарыстоўвайце іншыя крыніцы сілкавання.
- Перад падключэннем прылады да сеткі пераканайцеся, што разетка адпавядае дадзеных, пазначаных на цэтліку.
- Пазбягайце кантакту з заземленымі паверхнямі (трубамі, радыятарамі, батарэямі і рэфрыжэратарамі). Пры заземленні праз цела рызыка ўдару электрычным токам павялічваецца.



АСЦЯРОЖНА! У пазбяганне апёку ці паразы электрычным токам не датыкайцеся да дэталю, якія праводзяць электрычны ток.

- Не цягніце за кабель пры перасоўванні інструмента.
- Выкарыстоўвайце шнур з асцярожнасцю. Беражыце шнур ад уздзеяння цяпла, пазбягайце яго кантакту са змазвальнымі матэрыяламі, а таксама вострымі прадметамі ці рухомымі часткамі.
- Будзьце асцярожныя са шнурам.
- Не выкарыстоўвайце электраінструменты зблізку лёгкаўзгаральных вадкасцяў і гаручых газаў.
- Перад тым, як пераносіць інструмент на іншае месца, адключайце яго ад сеткі.



АСЦЯРОЖНА! Інструмент неабходна спачатку адключыць, а затым адлучыць ад разетки ці падаўжальніка.

- Не пераціскайце падаўжальнік падчас працы прыбора. Не губляйце кабель з выгляду.
- Не падлучайце падаўжальнік проста да прыбора самастойна. Звярніцеся ў бліжэйшы афіцыйны цэнтр абслугоўвання.
- Пры пашкоджанні шнура харчавання, каб пазбегнуць небяспекі яго павінен замяніць вытворца або яго агент, ці аналагічнае кваліфікаванае твар.
- Неадкладна атрымаць вилку з разетки, калі кабель пашкоджаны або разрэзаны.



УВАГА! НЕБЯСПЕКА ПАРАЗЫ ЭЛЕКТРЫЧНЫМ ТОКАМ!

Сачыце за асяроддзем на рабочай пляцоўцы. Не выкарыстоўвайце электраінструменты падчас дажджу. Не выкарыстоўвайце электраінструменты ў вільготных і волкіх памяшканнях. Утрымоўвайце рабочую пляцоўку ў сухасці, забяспечце добрае асвятленне. Беражыце прыбор ад вільгаці. Не пакідайце прыбор на адкрытым паветры на ноч. Пры трапленні вады ў электраінструмент павялічваецца рызыка ўдару электрычным токам.

- Рэгулярна і кожны раз перад выкарыстаннем правярайце кабель сілкавання на наяўнасць пашкоджанняў і прыкмет зносу. Не выкарыстоўвайце інструмент з пашкоджаным кабелем; звярніцеся ў афіцыйны цэнтр абслугоўвання.
- Падчас працы па-за памяшканнем, выкарыстоўвайце толькі прызначаныя для гэтага падаўжальнікі з адпаведнай маркіроўкай. Пазбягайце трапленню кабеля пад інструмент, беражыце яго ад вільгаці, ад уздзеяння цяпла, пазбягайце кантакту са змазвальнымі матэрыяламі і лёгкаўзгаральнымі рэчывамі.
- Пазбягайце выпадковага запуску інструмента: перад падлучэннем да сеткі пераканайцеся, што выключальнік знаходзіцца ў палажэнні 'off' (выкл.).
- Перад уключэннем інструмента выміце ўсталявальныя кліны і ключы.
- Не выкарыстоўвайце інструмент з няспраўным выключальнікам. Інструмент з няспраўным выключальнікам уяўляе небяспеку і павінен быць адрамантаваны.



УВАГА! Часам падчас працы электраінструментаў ўтворацца пыл, якая змяшчае хімічныя рэчывы, якія выклікаюць рак.

Да такіх хімічных рэчываў адносяцца: свінец у складзе свінцовых іхаліт, кварц, які ўваходзіць у склад цэглы і цэменту, мыш'які хром, што змяшчаюцца ў піламатэрыяле, апрацаваным хімічнымі рэагентамі, і іншыя шкодныя рэчывы. Рызыка ўздзеяння дадзеных хімічных рэчываў залежыць ад часціны правядзення звязаных з імі работ.

Каб скараціць іх шкоднае ўздзеянне, працуйце ў памяшканні, якое добра вентылюецца, і выкарыстоўвайце зацверджаныя ахоўныя прыстасаванні, напрыклад, супрацьпылавая рэспіратары, адмыслова распрацаваныя для адфільтравання мікраскапічных часціц.



- Пры трапленні пад інструмент старонняга прадмета, аглядзіце яго на наяўнасць пашкоджанняў і вырабіце неабходны рамонт.
- Пры ўзнікненні празмернай вібрацыі заглушыце інструмент і неадкладна высвятліце чынік. Вібрацыя звычайна з'яўляецца прыкметай пашкоджання.
- Перад тым, як пакінуць працоўнае месца, вырабіце рамонт, агляд ці ачыстку інструмента, адключыце яго і пачакайце да поўнага спынення.
- Забараняецца здымаць або змяняць ўнутраныя дэталі.

Адмысловыя правілы па тэхніцы бяспекі

- Ніколі не рэзаць азбэстазымячаючыя матэрыялы, бо яны утвараюць небяспечны для здароўя пыл.
- Для зніжэння ўзроўню ўздзеяння шкодных хімічных рэчываў, якія могуць змяшчацца ў апрацоўваемым матэрыялах, неабходна працаваць у добра праветраным памяшканні і выкарыстоўваць такія ухваленыя ахоўныя сродкі, як дыхаючыя маскі, якія спецыяльна прызначаны для адфільтравання мікраскапічных часцінак; падлучыць да электралобзіку пыласос.
- Для замацавання апрацоўваемай нарыхтоўкі на ўстойлівай пляцоўцы выкарыстоўваць шрубцынгу або іншыя мэтазгодныя спосабы. Пры ўтрыманні нарыхтоўкі рукой або пры прыцісканні да цела не забяспечваецца яе ўстойлівае становішча, што можа прывесці да страты кантролю над нарыхтоўкай. Не апрацоўваць нарыхтоўкі, якія нельга замацаваць у працоўным становішчы з-за вельмі маленькага памеру.
- Ніколі не рэжце, не свідруйце і не піліце ў зонах, недасягалых для агляду, дзе могуць знаходзіцца сілавыя, газавыя або вадаправодныя лініі. Для выяўлення такіх ліній ўжываць адпаведныя дэтэктары.
- На траекторыі рэзання, знізу і зверху нарыхтоўкі, не павінна быць перашкод.
- Азнаёміцца з размяшчэннем і работай кнопкі, якая фіксуе пераключальнік у становішчы «УКЛЮЧАНА». Калі падчас работы пераключальнік зафіксаваны ў становішчы «УКЛ.», быць гатовым да аварыйнай сітуацыі і неадкладнага перамяшчэнню пераключальніка ў становішча «ВЫКЛ.» пры дапамозе хуткага націску на пераключальнік «УКЛ.-ВЫКЛ.», і неадкладнага яго адпусчэння без націску на кнопку фіксацыі становішча «УКЛ.»
- Апорная лыжа лобзіка павінна быць надзейна прыціснута да нарыхтоўкі ўсёй паверхняй.
- Пры рабоце ніколі не змяшчаць кісьць рукі або пальцы перад палатном лобзіка.
- Калі ў пачатку рэзання хуткасць руху палатна занадта малая, то інструмент можа бразгацца або

вібраваць, пры гэтым магчымы яго адскок.

- Заўсёды адлучаць электравілку ад лобзіка перад заменай палатна і/або перад адладкай апорнай лыжы.
- Выкарыстоўваць толькі вострыя і бездэфектныя палотны лобзіка. Неадкладна замяняць трэснутыя, пагнутыя або тупыя палотны.
- Палатно пілы павінна быць абсалютна надзейна зафіксавана ў пасадачным месцы. Кожны раз перад работай правяраць надзейнасць фіксацыі палатна.
- Пры выманні палатна з лобзіка выкарыстоўваць надзейныя ахоўныя пальчаткі, каб пазбегнуць кантакту скуры рук з палатном.
- Пасля выключэння механізму не прыкладваць бакавога намагання да палатна лобзіка для яго спынення.

РАСПАКАВАННЕ

Пры распакаванні, праверце наяўнасць усіх элементаў. Глядзіце чарцяжы да дадзенай інструкцыі. Пры адсутнасці або няспраўнасці некаторых дэталей, звярніцеся ў цэнтр падтрымкі ІVТ.

ПАЧАТАК ЭКСПЛУАТАЦЫІ

Значэнне напружання харчавання павінна адпавядаць паказанаму ў табліцы пашпартных дадзеных інструмента.

УСТАЛЯВАННЕ/ЗАМЕНА ПІЛЬНАЙ СТУЖКІ (4)



УВАГА! Перад пачаткам любых работ на самой машыне, адключыце сеткавы шнур.



УВАГА! Пры замене або устаноўкі новага палатна лобзіка апрацаваць ахоўныя пальчаткі (4).

- Выкарыстоўвайце шасцігранны ключ (8) для паслаблення абедзвюх крапежных шрубаву на ўдарным штоке.
- Падчас ўсталёўкі пільнай стужкі (зубі ў кірунку рэзання), сачыце за тым, каб задняя частка стужкі (4) знаходзілася ў пазе накіравальнага роліка (5).
- Ізноў зацягніце крапежныя шрубы. Усе тыпы звычайных пільных стужак падыходзяць да ўніверсальнага трымальніка пільнай стужкі. **[F1]**

УКЛЮЧЭННЕ / ВЫКЛЮЧЭННЕ

Кароткачасовае выкарыстанне

Націсніце на пімпку выключальніка «ўключана/выключана» (1) і затым адпусціце.

Бесперапыннае выкарыстанне [F2]

Уключэнне

Націсніце на пімпку выключальніка «ўключана/выключана» (1) і заблакуйце фіксатарам (2).

Выключэнне

Націсніце і адпусціце пімпку выключальніка «ўключана/выключана» (1).

ВЫДАЛЕННЕ ПЫЛУ



Выдаленне пылу прадухіліяе скупнасць пылу, высокую канцэнтрацыю пылу ў навакольным паветры, і палягчае ўтылізацыю. Падчас працяглай работы з дрэвам ці з матэрыяламі для камерцыйнага выкарыстання, якія вылучаюць шкодны для здароўя пыл, машыну неабходна падключыць да адпаведнай вонкавай прылады для пылавядалення.

ІНСТРУКЦЫЯ ПА ЭКСПЛУАТАЦЫІ

Распілоўванне

- Перад пачаткам распілоўвання перакананца, што палатно лобзіка (4) правільна устаноўлена, і максімальна апусціць пярэдняю накіроўваючую (5).
- Апорная лыжа (6) лобзіка павінна быць надзейна прыціснута да нарыхтоўкі ўсёй паверхняй.
- Не прыкладаць нагрузку да палатна лобзіка, іначай палатно (4) перагрэецца і сагнецца і/або трэсне.
- Калі матэрыял, які патрэбна рэзаць, тонкі, неабходна змясціць яго на дапаможную дошку/пліту для гашэння вібрацый і паляпшэння якасці распілоўвання.
- Пры працяглых разрэзах час ад часу даваць электралобізку астываць і змазваць накіроўваючы ролік (5) некалькімі кроплямі масла.
- Перш чым адкласці прыстасаванне, трэба пачакаць, пакуль палатно лобзіка (4) спыніцца.

Рэгуляванне вугла рэзання

- Для ўсталявання машынай нажоўкі на рэзанне пад вуглом, адшрубуйце крапежныя шрубы з апоры з дамогай шасціграннага ключа, затым ссунуць назад аснову з яе зыходнага становішча.
- Усталюйце вугал рэзання, нахіліўшы апору направа ці налева.
- Шчыльна зацягніце абодва крапежныя шрубы.

[F3]

Уразанне



УВАГА! Толькі мяккія матэрыялы, такія як дрэва, пенабетон, гипсокартон і інш. могуць апрацоўвацца метадам уразання.

Врэзы ў дрэва можна выконваць без папярэдняга свідравання, праколваючы матэрыял працуючай машынай. Для выканання гэтага неабходны некаторы досвед; такія дзеянні можна выконваць толькі з дапамогай кароткай пільнай стужкі.

- Памясціце пярэдні край апорнай пліты на загатоўку, якая апрацоўваецца, і ўключыце машыну.
- Шчыльна прыцісніце прыладу да загатоўкі і павольна ўразаіце пільную стужку ў загатоўку.
- Пасля дасягнення неабходнай глыбіні рэзу, вярніце прыладу ў звычайнае працоўнае становішча так, каб поўная паверхня апорнай пліты абпіралася на загатоўку, і працягвайце пілаванне ўздоўж лініі рэзання. [F4]
- Пасля завяршэння разрэзу, спачатку выключыце прыладу, затым выміце яе з разрэзу.

Рэзанне па акружнасці (кругавая накіравальная не ўключана ў камплект) [F5]

- Пазначце акружнасць, па якой будзе выконвацца рэзанне, і высвідруйце адтуліну ў яе цэнтры.
- Калі рэзанне не пачынаецца з краю матэрыялу – высвідруйце адтуліну, з якой пачнецца рэзанне.
- Усталюйце кругавую накіравальную на прыладу.
- Высуňte кругавую накіравальную для вызначэння радыусу рэзання і зафіксуйце яе з дапамогай баранковай шрубы.
- Усталюйце цэнтрвальны штыфт у цэнтральную адтуліну і пачніце рэзанне, рухаючы прыладу па крузе.

Для атрымання аптымальнага выніку рэкамендуецца выкарыстоўваць вузкія лёзы.

АБСЛУГОЎВАННЕ І ЗАХАВАННЕ



АСЦЯРОЖНА! Перш чым пачаць працу з інструментам, дастаньце сеткавай штэпсель.

- Утрымоўвайце прыбор і вентыляцыйныя адтуліны (ёсць у наяўнасці) ў чысціні. Рэгулярная ачыстка і абслугоўванне гарантуюць высокую эфектыўнасць і працяглую эксплуатацыю інструмента.
- У выпадку выхаду з ладу, нягледзячы на



здзейснення ўмовы вытворчасці і выпрабаванняў, рамонт павінен выконвацца ў афіцыйным сэрвісным цэнтры IVT.

- Усе гайкі, ніты і шрубы павінны быць шчыльна зацягнуты.
- Замяніце пашкоджаныя ці зношаныя дэталі.
- Выкарыстоўвайце толькі фірмовыя запчасткі: ад іншых вытворцаў могуць не падыходзіць і выклікаць дэфармацыю.
- Захоўваеце інструмент у сухім недаступным для дзяцей месцы, на бяспечнай адлегласці ад лёгкаўзгаральных матэрыялаў.
- Пазбягайце траплення вады на інструмент!

АХОВА НАВАКОЛЬНАГА АСЯРОДДЗЯ



Другаснае выкарыстанне сыравіны замест выкідвання яго ў смецце!

Інструмент, дадатковыя прылады і ўпакоўка падлягаюць экалагічна чыстай утылізацыі. Пластыкавыя элементы адпраўляюцца на класіфікаваную перапрацоўку. Данае кіраўніцтва па эксплуатацыі надрукавана на другаснай паперы, якая не змяшчае хлор.

BE



УВАГА! ВЫКОНВАЦЬ РАМОНТ ВЫРАБА САМАСТОЙНА І СПРАБАВАЦЬ СХАВАЦЬ ЯГО СЛЯДЫ Абсалютна НЕДАПУШЧАЛЬНА! Толькі аўтарызаваны IVT Сэрвіс-Цэнтр мае права на правядзенне рамонту і пашыранага тэхнічнага абслугоўвання. Унясенне зменаў ва ўнутраную структуру выраба забаронена! ТАКІЯ ДЗЕЯННІ НЕ ТОЛЬКІ З'ЯЎЛЯЮЦА ПАДСТАВАЙ У АДМОВЕ АД ГАРАНТЫЙНЫХ АБАВЯЗКАЎ, АЛЕ І МОГУЦЬ СТАЦЬ ПРЫЧЫНАЙ ПАШКОДЖАННЯЎ І СУР'ЁЗНЫХ КАЛЕЦТВАЎ.

SPECIFICHE TECNICHE

Modello	JS-400
Voltaggio ~ Frequenza [V ~ Hz]	230 ~ 50
Potenza nominale [W]	400
Numero di corse a vuoto [SPM]	3000
Capacità di taglio nel legno [mm]	55
Capacità di taglio nell'alluminio [mm]	10
Capacità di taglio nel metallo [mm]	6
Livello di vibrazione [m/s ²]	LEGNO: 7.3 (K=1.5) METALLO: 11.1 (K=1.5)
Livello di pressione sonora [dB(A)]	85 (K=3)
Livello di potenza sonora [dB(A)]	96 (K=3)
Peso [Kg]	1.7
Classe di sicurezza	II

COMPONENTI

1. Interruttore di accensione / spegnimento
2. Pulsante di blocco dell'interruttore
3. Protezione frontale
4. Lama
5. Guida a rullo
6. Piastra di appoggio
7. Fessure di ventilazione
8. Chiave a brugola

CONTENUTO DELLA CONFEZIONE

Manuale d'istruzioni (1 pz), lama (1 pz), chiave a brugola (1 pz).

UTILIZZO

Questo strumento è da utilizzarsi per eseguire tagli nel legno, nella plastica o nell'alluminio.

Un'ampia gamma di accessori e di lame permette allo strumento di adempiere a molteplici esigenze compresi tagli curvi o circolari.

NORME DI SICUREZZA PER L'USO

Regole generali di sicurezza

Le seguenti istruzioni di sicurezza servono per il corretto utilizzo dello strumento e per la tutela della propria sicurezza, pertanto si prega di leggere molto attentamente.

Quando si passa questo strumento ad una terza persona, anche queste istruzioni devono essere consegnate.

Conservare questo manuale di istruzioni e tutta la documentazione in dotazione con lo strumento per farvi

riferimento in futuro, in caso di bisogno.

Integrare le seguenti norme di sicurezza con le indicazioni riportate sul prodotto.

Prendere confidenza con tutti i pulsanti e i controlli e assicurarsi di conoscere il corretto utilizzo dello strumento prima di iniziare a utilizzarlo, ma soprattutto assicurarsi di sapere come interromperne l'uso in caso di emergenza.

Seguire queste semplici istruzioni contribuirà inoltre a mantenere lo strumento in buone condizioni di lavoro.

- Lo strumento deve essere montato correttamente prima dell'uso.

- Usare lo strumento solamente per gli scopi per cui è stato progettato.

- In aggiunta al prodotto sono state progettate anche delle etichette di sicurezza che devono essere prese in considerazione assieme con le indicazioni in merito all'equipaggiamento di sicurezza che deve essere adottato. La prevenzione di incidenti dipende dalla consapevolezza, dal buon senso e dalla formazione adeguata di tutti i soggetti coinvolti nell'utilizzo, nel trasporto, nella manutenzione e stoccaggio dello strumento.

- Non lasciare mai lo strumento incustodito.
- Non permettere ai bambini di utilizzare lo strumento. I bambini devono essere tenuti sempre sotto controllo per impedire che giochino con lo strumento.

- Tenere i bambini e gli animali domestici lontano. I terzi devono essere mantenuti a un'opportuna distanza di sicurezza quando lo strumento è in uso. Interromperne l'utilizzo se vi sono nei paraggi altre persone, specialmente bambini o animali domestici.

- L'utente è responsabile per i terzi, mentre lavora con lo strumento.

- Le persone che non conoscono le istruzioni per l'uso, i bambini, i minori che non hanno ancora raggiunto l'età



minima per l'utilizzo di questo strumento e le persone sotto l'influenza di alcool, droghe o farmaci non sono autorizzati ad utilizzare lo strumento. Alcune normative locali possono stabilire l'età minima dell'utilizzatore.



ATTENZIONE! Il consumo di alcool, farmaci e droghe, oltre a stati di malattia, febbre e stanchezza possono influenzare la capacità di reagire. Non usare lo strumento in una o più di queste condizioni.

- Assicurarsi che tutti i dispositivi di protezione (se presenti) siano montati correttamente e che siano in buone condizioni.
- Non usare mai lo strumento con i dispositivi di sicurezza o eventuali protezioni (se presenti) difettosi o senza dispositivi di sicurezza correttamente montati.
- Ispezionare bene lo strumento per cercare parti eventualmente allentate (per esempio: dadi, bulloni, viti, etc) e eventuali danni. Controllare a intervalli frequenti, che viti e bulloni siano adeguatamente serrati e che le attrezzature siano in buone condizioni di lavoro. Ripararle o sostituirle, se necessario, prima di utilizzare lo strumento. Gravi lesioni all'operatore e ai presenti possono verificarsi se vi è un danno allo strumento.
- Durante il funzionamento dello strumento, vestirsi adeguatamente. Non indossare abiti larghi o gioielli che potrebbero impigliarsi nello strumento. Indossare indumenti da lavoro adatti. Si raccomanda che le gambe e i piedi siano ben coperti, al riparo da eventuali scaglie durante il lavoro. Non utilizzare lo strumento se si è a piedi nudi o con sandali aperti. I capelli lunghi devono essere raccolti dietro la nuca.
- Mantenere tutte le impugnature e i manici asciutti, puliti e privi di olio o grasso.
- Usare dispositivi di protezione. Usare occhiali di protezione e guanti di sicurezza. Indossare anche una mascherina antipolvere durante le operazioni polverulente e se sono presenti gas di scarico. Quando è necessario, indossare anche scarpe robuste e antiscivolo, casco e tappi per le orecchie. Se il livello di rumore supera 85 dB (A), è obbligatoria una protezione acustica.



ATTENZIONE! Utilizzare dispositivi di protezione personale! I dispositivi di sicurezza e le attrezzature di protezione personale proteggono la propria salute e la salute degli altri e garantiscono un funzionamento senza problemi dello strumento.

- Non iniziare ad utilizzare lo strumento se questo è capovolto o non è nella corretta posizione di lavoro.

- Accertarsi di avere una corretta posizione mentre si opera con lo strumento. Mantenere una posizione salda e un buon equilibrio in ogni momento.
- Tenere pulita l'area di lavoro. Prima dell'uso dello strumento, tutti gli eventuali ostacoli devono essere rimossi dalla zona di lavoro; prestare attenzione anche a eventuali corpi estranei durante il lavoro.
- Non forzare lo strumento.
- Lavorare solo alla luce del giorno o comunque in condizioni di sufficiente illuminazione artificiale. Non utilizzare mai lo strumento senza una buona visibilità.
- Fare attenzione a non fare cadere lo strumento o ad urtarlo contro ostacoli.

ATTENZIONE! Mantenere sempre un'attenzione costante. Prestare attenzione a quello che si sta facendo. La distrazione può causare la perdita di controllo. Utilizzare il buon senso.

Regole di sicurezza elettriche

ATTENZIONE! Quando si usano utensili elettrici, si devono osservare le seguenti istruzioni di sicurezza per evitare il rischio di scosse elettriche, lesioni personali e incendio. Leggere e osservare attentamente tali istruzioni prima di utilizzare lo strumento.

- Per una maggiore sicurezza, si raccomanda di usare un dispositivo di protezione dalla corrente residua (RCD) con una corrente di apertura non superiore ai 30 mA. Controllare sempre tale dispositivo ogni volta che si usa la macchina. Consultare un elettricista affidabile.



ATTENZIONE! L'uso di un RCD o di un salvavita nel cablaggio non dispensa l'utente dal considerare le seguenti istruzioni di sicurezza e seguire indicazioni di lavoro sicure illustrate in questo manuale.

- Il valore di tensione della corrente deve corrispondere a quello descritto sulla targhetta dei dati tecnici. Non usare altri voltaggi. La connessione del dispositivo a qualsiasi altra fonte di energia può causare danni.
- Prima di inserire la spina nella presa della corrente, assicurarsi che il voltaggio sia corretto e corrisponda a quello riportato sulla targhetta dell'apparecchio.
- Evitare il contatto del corpo con eventuali oggetti a terra, come tubi, radiatori, fornelli e frigoriferi. C'è un aumento del rischio di scosse elettriche se il corpo è messo a terra.



ATTENZIONE! Toccare le parti elettrificate può causare morte per scosse elettriche o bruciate.

- Non spostare mai l'apparecchio tirandolo per il cavo.
- Non tirare il cavo elettrico. Tenerlo lontano da fonti di calore, olio, spigoli vivi o parti in movimento.
- Guidare i cavi elettrici sempre in modo sicuro.
- Non utilizzare utensili elettrici vicino a liquidi o a gas infiammabili.
- Scollegare sempre l'apparecchio dalla rete elettrica prima di trasportarlo in altri luoghi.



ATTENZIONE! L'apparecchio deve sempre essere staccato dalla corrente prima di scollegare qualsiasi connettore ad innesto o prolunga.

- Non passare l'apparecchio sopra al cavo elettrico mentre lo strumento è in funzione. Assicurarsi di sapere sempre dove si trova il cavo.
- Non collegare da sé un cavo di alimentazione direttamente al dispositivo. Portarlo presso il punto di assistenza più vicino.
- Per evitare qualsiasi rischio, in caso di danneggiamento, il cavo di alimentazione dovrebbe essere sostituito dal produttore o da un suo agente, o comunque da personale qualificato.
- Staccare immediatamente la spina dalla presa di corrente se il cavo è danneggiato o tagliato.



ATTENZIONE! PERICOLO DI SCOSSA ELETTRICA!

Esaminare sempre l'ambiente di lavoro. Non esporre i dispositivi elettrici alla pioggia. Non utilizzare gli elettrotensili in luoghi umidi o bagnati. Mantenere l'area di lavoro ben illuminata ed asciutta. Evitare che il dispositivo si bagni o venga esposto all'umidità. Non lasciarlo fuori la notte. Se entra acqua in un apparecchio elettrico vi è un aumento del rischio di scosse elettriche.

- Il cavo di alimentazione deve essere controllato periodicamente e, prima di ogni utilizzo, assicurarsi che non sia danneggiato o usurato. Se il cavo non è in buone condizioni, non utilizzare l'apparecchio; portarlo in un centro di assistenza autorizzato.
- Quando lo strumento viene impiegato all'aperto, utilizzare esclusivamente un cavo di prolunga per esterni,

marchiato per questo uso specifico. Tenerlo lontano dalla zona di lavoro, da umidità, superfici bagnate o oleose e lontano da fonti di calore e combustibili.

- Evitare qualsiasi avviamento involontario del dispositivo: accertarsi che l'interruttore di accensione sia spento prima di collegare lo strumento alla corrente.
- Rimuovere eventuali chiavi di regolazione prima di accendere lo strumento.
- Non utilizzare lo strumento se l'interruttore di accensione/spengimento è difettoso o non funziona correttamente. Qualsiasi strumento che non può essere controllato tramite il suo interruttore è pericoloso e deve essere riparato.



ATTENZIONE! Durante l'utilizzo dello strumento, potrebbero essere prodotte alcune polveri contenenti sostanze chimiche che possono causare il cancro, difetti genetici e altri problemi riproduttivi.

Alcune di queste sostanze chimiche sono: vernici a base di piombo, silice cristallina di mattoni e cemento e altri prodotti per muratura, arsenico e cromo derivanti da legname trattato chimicamente e altri prodotti pericolosi. Se tali polveri sono presenti, il rischio varia in base alla lunghezza dell'esposizione e al tipo di lavoro.

Per ridurre l'esposizione a tali sostanze chimiche, ogni volta che si compiono operazioni polverulente, lavorare in una zona ben ventilata con dispositivi di sicurezza approvati, come le maschere anti-polvere, che sono state appositamente progettate per filtrare anche le particelle microscopiche.

- Se con lo strumento si colpisce un corpo estraneo, esaminare il dispositivo per individuare eventuali danni e procedere con tutte le riparazioni necessarie prima di riavviare e continuare a lavorare.
- Se lo strumento inizia a vibrare in modo anomalo, spegnerlo e cercare di individuare immediatamente la causa. Vibrazioni anomale sono dovute generalmente a malfunzionamenti.
- Spegnerlo sempre il dispositivo e aspettare che esso si sia fermato completamente quando lo si lascia incustodito, prima di fare manutenzione, prima di controllarlo e pulirlo.
- È proibito modificare o rimuovere qualsiasi parte interna del dispositivo.

Regole di sicurezza specifiche

- Non tagliare mai materiali contenenti amianto perché possono generare polveri pericolose per la salute.
- Per ridurre l'esposizione a sostanze chimiche dannose che potrebbero essere contenute nei materiali



su cui si sta lavorando, si raccomanda di lavorare in un ambiente ben ventilato e utilizzare dispositivi di protezione personale approvati, come le maschere antipolvere appositamente progettate per filtrare anche le particelle microscopiche. Collegare il dispositivo ad un adeguato sistema di aspirazione delle polveri.

- Usare morsa o altri modi pratici per fissare e supportare il pezzo su una superficie stabile. Se lo si tiene in mano o contro il proprio corpo, il pezzo diventa instabile e potrebbe causare la perdita di controllo. Non lavorare pezzi troppo piccoli che non possono essere supportati in maniera sicura.
- Non eseguire tagli in zone cieche dove potrebbero essere presenti fili elettrici o tubi di acqua o gas. Utilizzare un rivelatore adatto all'individuazione degli impianti.
- Mantenere la superficie di taglio priva di ostacoli, sia sopra che sotto.
- Conoscere la posizione e il funzionamento del pulsante di blocco dell'interruttore. Se l'interruttore di accensione / spegnimento è bloccato sulla posizione "ON" durante l'uso, essere pronti, in situazioni di emergenza, a posizionarlo su "OFF", prima premendo l'interruttore e poi rilasciandolo immediatamente, senza premere il pulsante di blocco dell'interruttore.
- La piastra di appoggio deve poggiare interamente sulla superficie di taglio.
- Mentre si lavora non portare mai la mano davanti alla lama.
- Lo strumento può iniziare a fare rumore o a vibrare se la velocità della lama è ancora troppo bassa quando si inizia il taglio e questo può causare contraccolpi.
- Estrarre sempre la spina dall'alimentazione quando si sostituiscono le lame o si regola l'inclinazione della piastra di appoggio.
- Utilizzare solo lame ben affilate e prive di difetti. Sostituire subito gli utensili di taglio se danneggiati, piegati o smussati.
- La lama deve essere perfettamente inserita nella sua sede. Controllare ogni volta, prima di iniziare a tagliare, che essa sia bloccata in maniera sicura.
- Prestare molta attenzione a non ferirsi mentre si rimuovono le lame, utilizzare guanti di protezione adatti.
- Dopo lo spegnimento dello strumento, non tentare di fermare la lama applicando forze laterali.

ESTRARRE DALL'IMBALLAGGIO

Quando si apre la confezione, assicurarsi che tutti i componenti siano inclusi. Consultare le istruzioni su questo manuale. Per eventuali parti mancanti o danneggiate, si prega di contattare l'assistenza IVT.

MESSA IN FUNZIONE

Usare sempre la corretta tensione di alimentazione:

essa deve coincidere con le specifiche riportate sulla targhetta apposta sul prodotto.

INSTALLAZIONE / SOSTITUZIONE DELLA LAMA (4)



ATTENZIONE! Prima di effettuare qualsiasi lavoro sullo strumento, estrarre la spina dall'alimentazione.



CAUTELA! Indossare guanti di protezione quando si sostituiscono o inseriscono nuove lame (4).

- Utilizzare la brugola (8) per allentare le viti che assicurano la lama.
- Inserire la lama con i denti nella direzione del taglio; fare in modo che la spalla della lama (4) sia alloggiata perfettamente nella guida a rullo (5).
- Serrare nuovamente le viti. L'attacco delle lame è universale e può dunque essere inserito in ogni modello di seghetto alternativo. **[F1]**

ACCENSIONE / SPEGNIMENTO

Breve attivazione

Premere l'interruttore di accensione / spegnimento (1).

Uso continuo [F2]

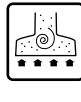
Accensione

Premere l'interruttore di accensione / spegnimento (1) e quindi il pulsante di blocco dell'interruttore (2).

Spegnimento

Premere e rilasciare l'interruttore di accensione / spegnimento (1).

RACCOLTA DELLE POLVERI



L'estrazione delle polveri impedisce grandi accumuli o alte concentrazioni di polveri nell'aria e nell'ambiente, facilitandone l'eliminazione.

Durante lunghi periodi di lavorazione del legno o per utilizzi industriali su materiali che producono polveri dannose per la salute, si consiglia di collegare lo strumento a dispositivi esterni di aspirazione.

ISTRUZIONI OPERATIVE

Taglio

- Prima di iniziare a tagliare, assicurarsi che la lama



(4) sia posizionata correttamente e abbassare il più possibile la protezione frontale (3).

- La piastra di appoggio (6) del seghetto deve poggiare interamente sulla superficie di taglio.
- Non forzare il seghetto, affinché la lama (4) non si surriscaldi e non si pieghi o rompa.
- Se il materiale da tagliare è sottile, collocarlo su un altro pannello o sopra una tavola per ridurre le vibrazioni e migliorare il taglio.
- Durante lunghe operazioni di taglio, lubrificare la guida a rullo (5) di tanto in tanto con qualche goccia di olio e lasciare raffreddare la macchina.
- Attendere che la lama (4) si sia completamente fermata, prima di posare il dispositivo.

Regolazione angolo di taglio

- Per impostare l'angolo di taglio allentare le viti della piastra di appoggio e spingerla indietro.
- Impostare l'angolo inclinando la base verso destra o sinistra.
- Quindi serrare le viti della piastra di appoggio. **[F3]**

Taglio a immersione



ATTENZIONE! Solo materiali morbidi come il legno, calcestruzzo areato, pannelli in cartongesso ecc. possono essere lavorati con il metodo del taglio a immersione.

Con questa macchina è possibile eseguire tagli di sagome disegnate all'interno di un pannello che non interessano i bordi. Questo è possibile anche senza un foro iniziale dal quale iniziare l'operazione. Questo metodo richiede una elevata esperienza. La lama deve essere sottile.

- Posizionare il bordo anteriore della piastra di appoggio sul pezzo da lavorare.
- Accendere la macchina e, facendo perno sul bordo anteriore, ruotarla fino a far incontrare la lama con il materiale.
- Premere con fermezza fino a quando si raggiunge la profondità di taglio desiderata. Quindi posizionare la macchina in condizioni di lavoro normali e proseguire nel taglio. **[F4]**
- A lavorazione ultimata estrarre la macchina dal pezzo e quindi arrestare il funzionamento.

Tagli circolari (guida per tagli circolari non inclusa) **[F5]**

- Segnare sul pannello da lavorare il cerchio da tagliare e forare il centro.
- Se il taglio non inizia dai bordi del pannello praticare un foro di ingresso sul cerchio.

- Montare la guida sulla macchina
- Regolare la guida in base al raggio desiderato e fissarla con la vite di fissaggio.
- Sistemare la macchina sul pezzo da lavorare facendo riferimento al foro centrale eseguito in precedenza ed eseguire il taglio.

Per ottenere tagli migliori si raccomanda l'utilizzo di lame sottili.

MANUTENZIONE E STOCCAGGIO



ATTENZIONE! Prima di qualsiasi intervento sul dispositivo stesso, togliere la spina dalla corrente.

- Tenere sempre lo strumento e le fessure di ventilazione (se presenti) pulite. La regolare pulizia e manutenzione dello strumento ne garantiscono l'efficienza e ne prolungano la vita.
- Se lo strumento non dovesse funzionare, nonostante le rigorose procedure di collaudo, la riparazione deve essere effettuata da un servizio IVT autorizzato.
- Tenere tutti i dadi, bulloni e viti ben serrati, per essere sicuri che lo strumento sia in buone condizioni operative.
- Sostituire tutte le parti usurate o danneggiate per sicurezza.
- Utilizzare esclusivamente ricambi originali. L'uso di parti di ricambio non originali o non autorizzate dal produttore potrebbero causare scarse prestazioni o lesioni personali.
- Conservare lo strumento in un ambiente asciutto, fuori dalla portata dei bambini e lontano da materiali infiammabili.
- Non bagnare mai il dispositivo, né spruzzare acqua su di esso!

TUTELA AMBIENTALE



Riciclare le materie prime invece di smaltirle come rifiuti.

Lo strumento, gli accessori e l'imballaggio devono essere ordinati per il riciclaggio ecocompatibile.

I componenti in plastica sono classificati per il riciclaggio categorizzato. Queste istruzioni sono stampate su carta riciclata.

IT


ATTENZIONE! NON TENTARE DI RIPARARE IL PRODOTTO DA SOLI E NON MANOMETTERLO!
Qualsiasi operazione di riparazione o di manutenzione straordinaria deve essere eseguita esclusivamente da un Centro di Assistenza IVT qualificato ed autorizzato. Non modificare nessuna componente interna del prodotto! **QUESTO COMPORTAMENTO INVALIDERÀ COMPLETAMENTE LA GARANZIA E POTREBBE CAUSARE INFORTUNI E SERI DANNI MATERIALI.**

CARACTÉRISTIQUES TECHNIQUES DE L'APPAREIL

Modèle	JS-400
Tension ~ Fréquence [V ~ Hz]	230 ~ 50
Puissance nominale [Wt]	400
Fréquence de marche à vide [m/min]	3000
Capacité de coupe en bois [mm]	55
Capacité de coupe en aluminium [mm]	10
Capacité de coupe en acier [mm]	6
Niveau de vibration [m/s ²]	BOIS: 7.3 (K=1.5) ACIER: 11.1 (K=1.5)
Niveau de pression sonore [dB(A)]	85 (K=3)
Niveau de puissance sonore [dB(A)]	96 (K=3)
Poids [Kg]	1.7
Classe de protection	II

LISTE DÉTAILLÉE

1. Interrupteur "marche/arrêt"
2. Bouton de blocage
3. Protecteur antérieur
4. Lame de scie
5. Rouleau de guidage
6. Plateau de base
7. Ouvertures de ventilation
8. Clé à six pans

CONTENU DE LA BOÎTE

Manuel d'instruction (1 pièce), lame de scie (1 pièce), clé à six pans (1 pièce).

DESTINATION

Ce modèle des scies mécaniques alternatives est destiné au sciage du bois, des matières plastiques et d'aluminium.

Grâce à un grand assortiment des accessoires et des lames de scie, proposés comme des dispositifs complémentaires, cet outil peut être utilisé à des fins différentes. L'outil assure les découpages circulaires ou courbés.

RÈGLES DE SÉCURITÉ LORS DE L'UTILISATION

Règles générales de sécurité

Les règles de sécurité suivantes permettront d'exploiter l'appareil d'une manière adéquate et assurer votre propre sécurité. Veuillez lire attentivement ces informations.

Si vous prêtez cet appareil à une tierce personne,

veuillez lui transmettre ces instructions.

Ce manuel d'utilisation et toute autre documentation joints à cet appareil doivent être conservés en cas de nécessité.

Suivez les recommandations indiquées sur les étiquettes de l'appareil.

Avant d'utiliser l'appareil, lisez attentivement les principes de contrôle de celui-ci et assurez-vous qu'il sera utilisé comme prévu et que vous pourrez le débrancher, le cas échéant.

En outre, le respect de ces règles simples vous permettra de garder l'appareil en bon état.

- Avant de l'utiliser, assurez-vous que l'appareil est correctement assemblé.

- Utilisez l'appareil uniquement pour son usage prévu.

- Vous trouverez sur l'appareil des précautions à prendre ou des symboles indiquant les mesures de précaution. Des accidents peuvent être évités grâce au bon sens, à l'attention et la préparation nécessaire de ceux qui effectuent l'exploitation, transport, maintenance, service technique et stockage de l'appareil.

- Ne laissez pas l'appareil sans surveillance.

- Conserver hors de la portée des enfants. Assurez-vous que les enfants ne joueront pas avec.

- L'appareil doit être inaccessible aux enfants et animaux domestiques. Assurez-vous que tout le monde se trouve à une distance de sécurité lorsque l'appareil est branché.

- N'oubliez pas que lorsque l'instrument est en marche, son utilisateur est responsable de la sécurité des autres.

- L'utilisation de cet appareil est interdite aux personnes n'ayant pas lu ces instructions ; les enfants, les personnes qui n'ont pas atteint l'âge de travailler avec ce type d'appareil ; les personnes sous l'emprise



de l'alcool, de drogues ou de médicaments. L'âge des utilisateurs peut être limité par la législation locale.



ATTENTION! La consommation d'alcool, de drogues ou de médicaments, la fièvre ou la fatigue peuvent nuire à votre capacité à réagir. Ne pas utiliser l'appareil dans les états mentionnés ci-dessus.

- Assurez-vous que tous les dispositifs de protection (le cas échéants) sont installés et en bon état.
- Il est interdit d'utiliser l'appareil comportant des défauts ou sans dispositif de protection ou coffres (si prévus).
- Assurez-vous que l'appareil ne comporte pas d'éléments endommagés ou non alignés (par exemple, vis, écrou, boulon, etc.). Vérifiez régulièrement que tous les vis et écrous soient bien serrés – ce qui garantit la sécurité nécessaire du travail avec l'appareil. Si nécessaire, remplacez ces pièces avant de commencer à travailler. Les défauts de l'appareil peuvent causer des blessures graves à l'utilisateur, ainsi qu'aux autres personnes.
- Portez des vêtements appropriés lorsque vous travaillez avec l'appareil. Ne mettez pas de vêtements trop amples ni de bijoux pouvant s'accrocher aux parties mobiles de l'appareil. Portez des vêtements adéquats pour le travail. Les vêtements et les chaussures doivent entièrement recouvrir les jambes pour les protéger contre d'éventuels fragments tombés. Ne travaillez pas les pieds nus ou en sandales ouvertes. Il est conseillé d'attacher les cheveux longs.
- Les manches et les manchons de l'appareil doivent être propres, secs et sans huile.
- Utilisez les moyens nécessaires de sécurité personnelle. Portez des gants et des lunettes de protection. Si vous travaillez avec les matériaux pulvérulents ou en cas d'apparition de gaz d'échappement, mettez le respirateur. Si nécessaire, utilisez des chaussures à semelle antidérapante, un casque et des oreillettes. Si le niveau sonore dépasse 85 dB(A), il est indispensable d'utiliser des moyens de protection auditifs.



ATTENTION! Utilisez les moyens de protection individuelle ! Les dispositifs de protection et les moyens de protection individuelle préservent votre santé et celle d'autrui, et assurent l'exploitation de l'appareil sans panne.

- N'embrayez pas l'appareil s'il n'est pas sur la bonne position ou pas encore en état d'être utilisé.
- Choisissez une position stable. Surveillez la

position des jambes et l'équilibre lors du travail.

- Assurez-vous que l'emplacement de travail est propre. Le désordre et la saleté peuvent causer des dommages. Enlevez tous les objets inutiles de la zone de travail et veillez à ce qu'ils ne s'y trouvent pas lors de l'exploitation de l'appareil.
- Évitez les surcharges de l'appareil.
- Effectuez les travaux uniquement à la lumière du jour ou avec suffisamment d'éclairage artificiel. Il est interdit d'utiliser l'appareil dans des endroits obscurs.
- Soyez vigilant – évitez la chute et les chocs de l'appareil.

ATTENTION! Restez vigilant. Prenez garde à ce que vous faites. Vous risquez de perdre le contrôle si vous êtes inattentif. Faites preuve de bon sens.

Règles de sécurité électrique

AVERTISSEMENT! Si vous respectez les règles de sécurité lorsque vous travaillez avec des appareils électriques, vous éviterez tout choc électrique, accident et incendie. Lisez attentivement ces règles avant de commencer à travailler avec l'appareil et respectez-les soigneusement.

- Pour une meilleure sécurité électrique, il est recommandé d'utiliser le disjoncteur à sensibilité différentielle inférieure à 30 mA. Vérifiez le disjoncteur à chaque utilisation. Consulter un électricien digne de confiance.



AVERTISSEMENT! L'utilisation du disjoncteur ou de tout autre dispositif de déclenchement automatique ne dispense pas l'utilisateur de respecter les règles de sécurité et de pratique du travail présentées dans ce manuel d'utilisation.

- La tension du secteur doit correspondre à celle indiquée sur l'étiquette et dans ce manuel d'utilisation. N'utilisez pas d'autres sources d'alimentation.
- Avant de connecter l'appareil à la prise secteur, vérifiez si elle est en bon état et si ses paramètres correspondent à ceux indiqués dans le tableau de l'appareil.
- Lors du fonctionnement de l'appareil, évitez tout contact avec des objets mis à la terre tels que les câbles, radiateurs, cuisinières et réfrigérateurs. Le risque de choc électrique est accru lorsque le corps est mis à la terre.



ATTENTION! Le contact avec des éléments sous tension électrique peut causer un choc électrique, des brûlures voire entraîner la mort.

- Ne débranchez jamais l'appareil en tirant sur le cordon.
- N'abîmez pas le cordon. Conservez le cordon à l'abri de la chaleur, de l'huile, d'objets tranchants et de pièces en mouvement.
- Veillez toujours au bon état du cordon de raccordement.
- N'utilisez pas l'appareil électrique près de liquides inflammables et de gaz.
- Débranchez l'appareil du réseau électrique avant de le transporter dans un autre endroit.



ATTENTION! Débranchez l'appareil du réseau électrique avant de déconnecter la cheville de contact ou la rallonge.

- Ne portez pas l'appareil électrique au-dessus de la rallonge. Soyez vigilant et veillez toujours à savoir où se trouve le cordon.
- Ne raccordez pas vous-même la rallonge à l'appareil. Ramenez-le au Centre de service technique agréé le plus proche.
- A des fins de sécurité, le cordon endommagé doit être remplacé uniquement par le fabricant, son représentant ou une personne qualifiée.
- En cas de dommage ou de cordon sectionné, débranchez tout de suite l'appareil du réseau électrique.



AVERTISSEMENT! RISQUE DE CHOC ELECTRIQUE!

Prenez en considération les conditions de travail. Il est interdit d'embrayer l'appareil sous la pluie. Ne pas l'utilisez dans des conditions défavorables (humidité, eau). Le lieu de travail doit être propre et bien éclairée. N'exposez pas l'appareil à l'humidité. Ne pas le laissez dehors pendant la nuit. La pénétration d'eau dans cet appareil électrique augmente le risque de choc électrique.

- Vérifiez régulièrement que le cordon électrique soit en bon état. Avant de commencer à travailler, vérifiez s'il n'est pas endommagé ou ne présente pas de traces d'usure. Si l'état de la rallonge n'est pas satisfaisant, ne branchez pas l'appareil. Ramenez-le au Centre de service après-vente.

- Pour les travaux à l'extérieur, utilisez la rallonge spécialement conçue à cet effet, comme indiqué sur l'étiquette – pour les travaux à l'extérieur. Lors du fonctionnement de l'appareil, le cordon doit se trouver en dehors de la zone de travail, derrière l'utilisateur. Conservez le cordon à l'abri des surfaces chaudes, huileuses, humides ou des matériaux inflammables.
- Pour éviter tout démarrage accidentel : avant de brancher l'appareil, assurez-vous que son interrupteur (le cas échéant) se trouve en position 'arrêt/off'.
- Retirez les clés de réglage avant de mettre l'appareil en marche.
- N'utilisez pas l'appareil si son interrupteur est en panne (il ne peut embrayer ou débrayer). Tout appareil ayant un interrupteur hors service est dangereux et doit être immédiatement réparé.



AVERTISSEMENT! L'utilisation d'appareils électriques peut provoquer l'apparition de poussière cancérigène.

Voici certaines sources: plomb de peinture en contenant, silice cristalline de brique, de ciment et d'autres matériaux de maçonnerie, arsenic et chrome de bois traité par des produits chimiques. Si de la poussière apparait lors du travail, le degré de son influence néfaste dépend de la fréquence des travaux effectués.

Afin de diminuer l'influence de ces éléments chimiques sur l'organisme, il est important d'effectuer des travaux avec des matériaux produisant de la poussière dans des espaces bien aérés et avec des moyens de protection nécessaires tels que des respirateurs spéciaux pour le travail en présence de microparticules.

- En cas de choc extérieur à l'appareil, avant de redémarrer et continuer le travail, vérifiez bien qu'il ne soit pas endommagé et effectuez les réparations nécessaires, le cas échéant.
- Si l'appareil commence à trop vibrer, arrêtez-le immédiatement et trouvez-en la cause. La vibration annonce très souvent une future défaillance.
- Eteignez l'appareil et attendez l'arrêt total vous devez vous en éloigner, avant d'effectuer des réparations, remplacer des accessoires, toute vérification, nettoyage, résolution de problèmes ou manipulation sur l'appareil.
- Il est interdit de remplacer ou changer toute pièce interne de l'appareil.

Règles particulières de sécurité

- Ne coupez jamais les matériaux d'amiante car ils peuvent produire de la poussière dangereuse pour la santé.



- Afin de diminuer l'effet des éléments chimiques nuisibles pour la santé qui peuvent contenir dans les matériaux à travailler, il est important de bien aérer les locaux et d'utiliser les moyens de protection approuvés, tels que les masques de protection particulièrement destinés au filtrage des particules microscopiques; il est conseillé également de connecter la scie d'horloger à l'aspirateur.
- Utilisez les serre-joints ou d'autres moyens appropriés pour fixer le détail à travailler sur le plateau stable. Au cas où vous tenez le détail avec votre main ou vous le serrez contre votre corps, la position stable ne peut pas être assurée ce qui provoquera la perte du contrôle du détail. Ne travaillez pas les détails qui ne peuvent pas être fixés à une bonne position à cause de leur petites dimensions.
- Ne coupez, ne sciez et ne forez jamais dans les zones aveugles où peuvent se trouver les lignes de canalisation de gaz, d'eau ou les télécommunications. Utilisez les détecteurs spéciaux pour déterminer le placement de ces lignes.
- Veillez qu'il n'y ait pas d'obstacles sur le trajet du sciage, ni au-dessus, ni au-dessous du détail.
- Vérifiez bien la position et le fonctionnement du bouton de blocage de l'interrupteur à la position "MARCHE". L'interrupteur bloqué à la position "ARRET" lors du travail peut provoquer le risque, dans ce cas il est nécessaire de mettre tout de suite l'interrupteur à la position "ARRET" en poussant vite l'interrupteur "MARCHE/ARRET" et en le laissant sans pousser le bouton de blocage de la position "MARCHE".
- Toute la surface du plateau de base de la scie d'horloger doit être bien appuyée au détail.
- Ne mettez jamais vos mains et vos doigts devant la scie coupante.
- Si la vitesse de la scie coupante est trop petite au début du sciage, l'outil peut vibrer ou trembler et par conséquent le risque de rebondissement augmente.
- Débranchez toujours la prise de courant de l'outil avant de changer la scie coupante et/ou régler le plateau de base.
- Utilisez seulement les scies coupantes aiguës et sans défauts. Changez tout de suite les scies fissurées, courbées ou obtus.
- La scie coupante doit être très bien fixée à sa place. Vérifiez la sûreté de fixation de la scie chaque fois avant le commencement du travail.
- En enlevant la scie coupante de la scie d'horloger, utilisez les gants de protection afin d'éviter le contact de la peau des mains avec la scie.
- Ne forcez pas la scie coupante de côté pour l'arrêter après le débranchement de l'outil.

DÉBALLAGE

Lors du déballage, vérifiez bien si toutes les pièces et les dispositifs sont inclus. Regardez les dessins techniques présentés dans ce manuel d'utilisation. En cas de dommage ou absence de pièces quelconques, nous vous prions de vous adresser au centre de service après-vente IVT.

COMMENCEMENT DU TRAVAIL

Assurez-vous que la tension correspond aux conditions c'est à dire aux paramètres indiqués dans le tableau des données de la plaque d'identification de l'appareil.

INSTALLATION / RECHANGE DE LA LAME DE SCIE (4)



ATTENTION! Débranchez le fil d'alimentation électrique avant de commencer tout service de l'outil.



CAUTION! Mettez les gants de protection lors de la pose ou de la change de la scie coupante (4).

- Utilisez la clé à six pans (8) pour dévisser les deux vis de serrage sur l'arbre percutant.
- Lors de l'installation de la lame de scie (dents dans le sens du sciage), veillez à ce que la partie postérieure de la lame (4) se trouve dans l'emboîture du rouleau de guidage (5).
- Revissez les vis de serrage. Tous les types de lames de scie standards conviennent au support universel de lame de scie. [F1]

EMBRAYAGE ET DÉBRAYAGE

Activation brève

Pressez l'interrupteur "Marche / Arrêt" (1) et puis relâchez-le.

Usage continu [F2]

Embrayage

Pressez l'interrupteur "Marche / Arrêt" (1) et bloquez-le par le bouton de blocage (2).

Débrayage

Pressez et relâchez l'interrupteur "Marche / Arrêt" (1).

EXTRACTION DE POUSSIÈRE



L'extraction de la poussière évite l'accumulation et la haute concentration de poussière dans l'air ambiant et facilite le ménage.

Lors d'un long travail avec le bois ou les matériaux d'usage commercial dégageant une poussière nuisible pour la santé, l'outil doit être branché à un dispositif de dé poussiérage extérieur correspondant.

INSTRUCTION D'UTILISATION

Sciage

- Avant de commencer à scier, vérifiez bien que la scie coupante (4) est bien installée et baissez au maximum le guide antérieur (3).
- Le plateau de base (6) de la scie d'horloger doit être bien serrée contre le détail avec toute sa surface.
- Ne forcez pas le plateau de base sinon la scie (4) peut se courber et/ou couper.
- Si le matériel à couper est fin, il faut le mettre sur le plateau complémentaire nécessaire pour la diminution des vibrations et pour l'amélioration de la qualité du sciage.
- Lors du sciage prolongé laissez l'outil électrique se refroidir de temps en temps et mettez quelques gouttes d'huile sur la roue guidante (5).
- Attendez que la scie coupante (4) de l'outil s'arrête avant de laisser la scie d'horloger après le travail.

Régulation de l'angle de sciage

- Afin de régler la scie mécanique alternative au sciage sous angle, dévissez les vis de serrage du plateau de base à l'aide de la clé à six pans, puis retirez le plateau de base de sa position initiale.
- Fixez l'angle de sciage en tournant le plateau à droite ou à gauche.
- Revissez fort les deux vis de serrage. [F3]

Coupe en plongée



ATTENTION! Uniquement les matériaux doux tels que le bois, le béton cellulaire, le plâtre cartonné et d'autres, peuvent être travaillés par méthode de coupe en plongée.

La coupe en plongée peut être effectuée sans perçage préalable, en perforant le matériel avec l'outil en marche. Cela demande une certaine expérience; ces actions peuvent être effectuées seulement avec une lame de scie courte.

- Placez la frontière antérieure du plateau de base sur le détail à travailler et branchez l'outil.

- Appuyez bien l'outil contre le détail et plongez-y lentement la lame de scie.
- La profondeur de coupe nécessaire acquise, mettez l'outil à la position normale d'usage de la façon que toute la surface du plateau de base s'appuie contre le détail, et continuez le sciage le long de la ligne de coupe. [F4]
- Après avoir fait la coupe, débrayez l'outil et puis enlevez-le de la coupe.

Coupe circulaire (guide circulaire n'entre pas à l'assortiment) [F5]

- Marquez le cercle par lequel il faudra faire la coupe et percez un trou dans son centre.
- Au cas où le sciage ne commence pas du bout du matériel – percez le trou d'où il faudra commencer le sciage.
- Installez le guide circulaire à l'outil.
- Avancez le guide circulaire pour définir le rayon de sciage et fixez-le à l'aide du vis à oreilles.
- Placez la cheville de centrage dans le trou central et commencez le sciage en avançant l'outil dans le sens circulaire.

Il est recommandé d'utiliser les lames de scie étroite pour assurer le meilleur résultat.

MAINTENANCE ET STOCKAGE



ATTENTION! Avant de commencer toute manipulation avec l'appareil, débranchez-le.

- Assurez-vous que l'appareil et les ouvertures de ventilation soient propres. Le nettoyage et le service technique réguliers assureront un rendement important et augmenteront la durée de vie de votre appareil.
- Si un appareil de bonne qualité, rigoureusement testé à l'usine tombe malgré cela en panne, la réparation ne doit être confiée qu'au service clientèle IVT.
- Les vis, écrous et boulons doivent être bien serrés – ceci garantit la sécurité et le bon fonctionnement de l'appareil.
- Pour votre sécurité, remplacez les pièces usées ou endommagées.
- Utilisez uniquement les pièces d'origine du fabricant. Sinon leur assemblage sera difficile ce qui pourra causer des dommages.
- Conservez l'appareil dans un endroit sec et inaccessible aux enfants, loin des matériaux inflammables.
- Il est interdit de mouiller l'appareil et d'y verser de l'eau !



PROTECTION DE L'ENVIRONNEMENT



Le recyclage des matières premières pour une réutilisation est mieux que de les jeter.

L'appareil, les dispositifs et l'emballage sont triés pour être recyclés tout en protégeant la nature.

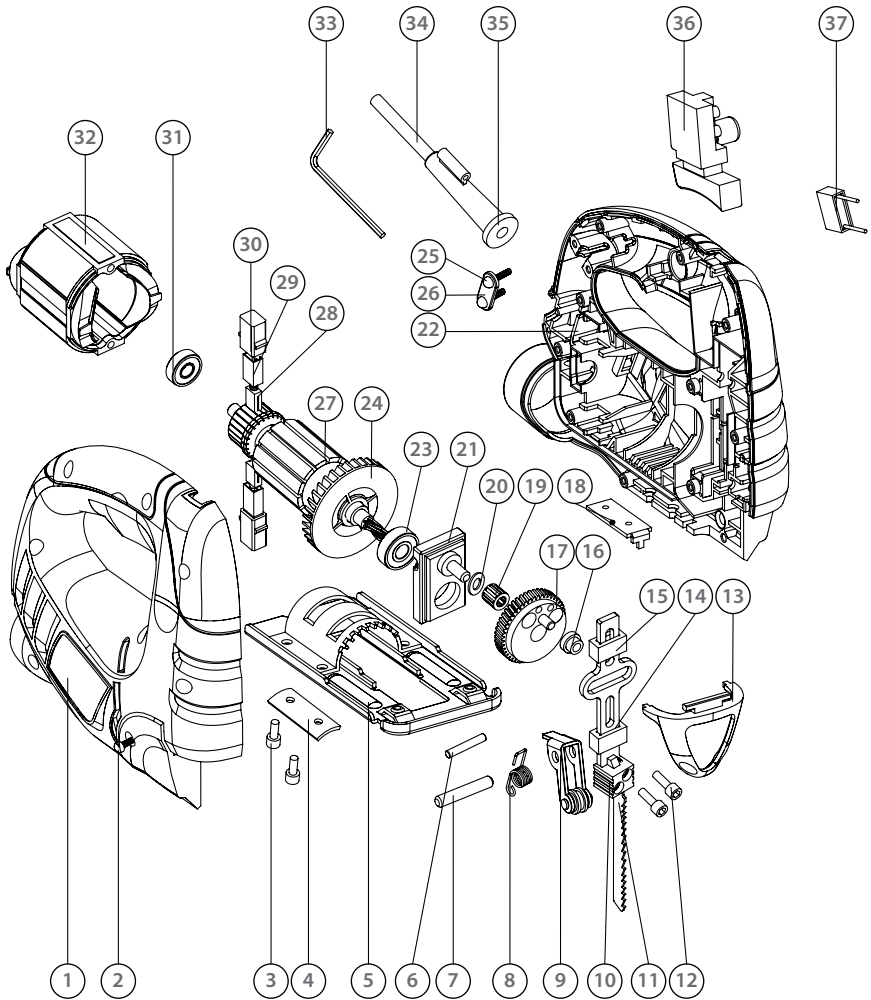
Les éléments en plastique sont classés pour le recyclage. Ce manuel est imprimé sur du papier recyclé sans utilisation de chlore.

FR



ATTENTION! IL EST INTERDIT DE REPARER L'ARTICLE PAR SES PROPRES MOYENS ET DISSIMULER CE FAIT! Seulement le centre de service autorisé IVT a le droit d'exécuter la réparation et l'entretien élargi. Il est interdit de modifier la construction interne de l'article! CES ACTIONS PEUVENT ANNULER LES OBLIGATIONS DE GARANTIE ET CAUSER LES ENDOMMAGEMENTS ET LES BLESSURES GRAVES.

JS-400





SPARE PARTS LIST

Part	Description
1	Right housing
2	Tapping screw ST3.9x14
3	Screw M4x14
4	Fixing plate
5	Iron base plate
6	Saw holder pin
7	Roller support pin
8	Saw holder spring
9	Blade support
10	Saw holder
11	Blade
12	Screw M4x12
13	Finger guard
14	Saw arm
15	Saw arm holder
16	Roller
17	Big gear
18	Connecting plate
19	Needle roller bearing

Part	Description
20	Washer Ø6
21	Bearing holder
22	Left housing
23	Bearing 608-2Z
24	Fan
25	Tapping screw ST3.9x14
26	Strain relief
27	Rotor
28	Carbon brush
29	Brush holder
30	Brush bushing
31	Bearing 607-2Z
32	Stator
33	Hex key
34	Cable
35	Cable sleeve
36	Switch
37	Capacitor



tools for every use

IVT SWISS SA

Via Cantonale, 2
CH-6917 - Barbengo
Switzerland

tel.: +41 (0) 91 6000 555
+41 (0) 91 6000 556
fax: +41 (0) 91 6000 557
e-mail: info@ivt-ht.com
web: www.ivt-ht.com

КАЗАХСТАН

ТОО "Костанай IVT"

ул. Целинная, д.4
110000 г. Костанай
тел.: +7 (7142) 280 700
+7 (7142) 280 701
+7 (7142) 280 702
e-mail: ivt_dir@mail.ru
web: www.ivt.kz

РОССИЯ

ООО "Спектр Инструмента"

ул. Танкистов, 179 Б
454085 г. Челябинск
тел. - факс: +8 (351) 247 98 65
+8 (351) 247 98 67
+8 (351) 247 97 59
+8 (351) 225 04 67
+8 (351) 225 04 68
e-mail: ivt-s@mail.ru
alfia@ivt-ht.ru
sales@ivt-ht.ru
web: www.ivt-ht.ru

КЫРГЫЗСТАН

ОсОО "ОлАн-Техно"

ул. Медерова, д. 85
720031 г. Бишкек
тел.: +9960312 46 02 91
факс: +996772 57 66 27

