



www.ivt-ht.com | tools for every use



EN	Electric hot knife	6-9	KZ	Электр термиялық пышақ	22-27
DE	Elektrothermisches Messer	10-15	IT	Coltello elettrico a caldo	28-33
RU	Электротермический нож	16-21	FR	Couteau électrothermique	34-39



EHK-130G

**EN****CONGRATULATION!**

Dear customer,

IVT team would like to thank you for your choice and for the confidence you put in our product.

Our aim is always to offer an innovative, high-class-strong and prize-adequate product to the customer.

We wish you'll get much satisfaction from all your do-it-yourself activities, by using this tool.

Your IVT Swiss SA Team

NOTE: Illustrations, figures, photos and contents might vary slightly due to our program of continuous product improvements.

RU**ПОЗДРАВЛЯЕМ!**

Уважаемый Покупатель,

Коллектив компании IVT благодарит вас за оказанное доверие и выбор в пользу нашей продукции.

Мы стремимся к тому, чтобы у наших покупателей была возможность пользоваться только современными, прочными и высококачественными продуктами.

Надеемся, что с нашими инструментами вы получите истинное удовольствие от работы.

С уважением, коллектив IVT Swiss SA

ПРИМЕЧАНИЕ: Рисунки, количественные данные, фотографии и содержание инструкции могут изменяться в силу постоянного усовершенствования нашей продукции.

DE**WIR GRATULIEREN!**

Sehr geehrter Kunde,

das Team der Firma IVT dankt Ihnen für Ihr Vertrauen und für die Wahl unserer Produktion.

Wir streben danach, damit unsere Kunden die Möglichkeit haben, nur moderne, feste und hochwertige Produkte zu benutzen.

Wir hoffen, dass mit unseren Werkzeugen Sie ein wirkliches Vergnügen von der Arbeit bekommen.

Mit freundlichen Grüßen, Team IVT Swiss SA

ANMERKUNG: Bilder, Mengenangaben, Fotos und der Inhalt der Anleitung können sich kraft der ständigen Nacharbeit unserer Produktion verändern.

KZ**ҚҰТТЫҚТАЙМЫЗ!**

Құрметті сатып алушы,

IVT компаниясының ұжымы Сізге бізге сенім артқаныңыз үшін және біздің өнімімізді таңдағаныңыз үшін алғыс білдіреді.

Біз Сіздерге инновациялық, жоғарғы классты және жоғары сапалы өнімді тиімді бағамен ұсынуға үнемі ұмтылып келеміз.

Біздің құралдарыңызбен сіз өз жұмысыңыздан рахаттанасыз деп үміттенеміз.

Ізгі ниетпен, IVT Swiss SA ұжымы

ЕСКЕРТУ: Суреттер, сандық мәліметтер және нұсқаудың мазмұны біздің өніміңіздің үздіксіз жетілуіне байланысты өзгеруі мүмкін.

**IT**

CONGRATULAZIONI!

Gentile cliente,

l'azienda IVT desidera ringraziarLa per la scelta e per la fiducia dimostrata nel nostro prodotto.

Il nostro obiettivo è offrire sempre prodotti innovativi che garantiscano un adeguato rapporto qualità/prezzo.

Le auguriamo che i suoi lavori di bricolage possano diventare un piacere, utilizzando il nostro prodotto.

La squadra IVT Swiss SA

Nota: illustrazioni, figure, foto e contenuti potrebbero variare leggermente a causa del nostro programma di continuo miglioramento del prodotto.

FR

FÉLICITATIONS!

Cher client,

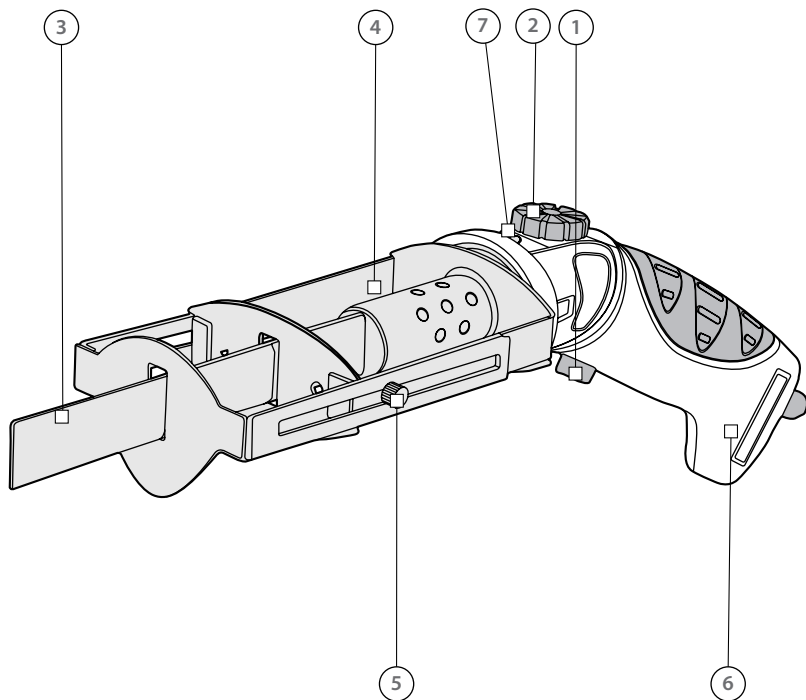
Le personnel de l'entreprise IVT vous remercie pour votre choix et la confiance que vous portez à nos produits. Notre objectif est d'offrir à nos clients le plus moderne des produits, le plus sûr et de meilleure qualité à un prix raisonnable.

Nous souhaiterions que votre travail manuel soit, grâce à notre appareil, un véritable plaisir.

Le personnel de l'entreprise IVT Swiss SA est toujours à votre disposition.

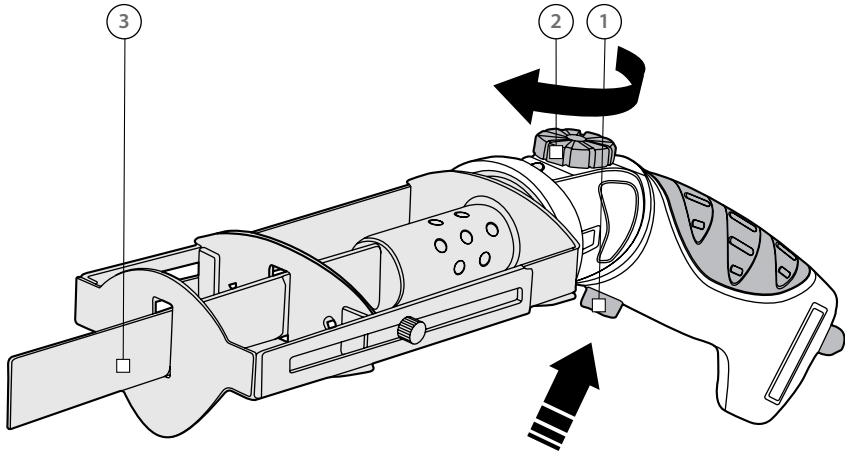
REMARQUE: Les images, observations quantitatives, photographies et le contenu du manuel peuvent sensiblement changer du au perfectionnement permanent de notre produit.







[F1]



TOOL SPECIFICATIONS

Model	EHK-130G
Rated power [W]	130
Voltage ~ Frequency [V ~ Hz]	230 ~ 50
Heating time [min]	1 - 2
Operating temperature (in different settings) [°C]	1) 100; 2) 160; 3) 230; 4) 360; 5) 450
Cutting depth [mm]	95 - 138
Knife length [mm]	140
Knife width [mm]	20
Weight [Kg]	0.6
Safety class	II

PART LIST

1. On / Off switch
2. Selector knob
3. Blade
4. Scale bracket
5. Clamping screw
6. Handle
7. Led

CONTENT OF THE BOX

Instruction manual (1 pc), scale bracket (1 pc).

INTENDED USE

This tool is designed for hot cutting products made of plastic, foam or sponge.

SAFETY REGULATION FOR THE USE

General safety rules

The following listed safety instructions should serve you for the right use of the tool and for the protection of your own safety, therefore, please read this very carefully.

When passing this tool to a third person, these instructions must be handed too.

Retain this user's manual and all other literature supplied with your tool for any future reference.

Comply with all the safety information and the warnings on the tool.

Be familiar with the controls and the proper use of the tool before attempting to use it and above all, make sure you know how to stop to use it in case of emergency.

Following these simple instructions will also maintain your tool in good working order.

- The tool must be assembled correctly before use.
- Only use the tool for its designed purposes.
- On the tool, there may be also decals and further

indications about the safety equipment to use that must be considered. The prevention of accidents is dependent upon the awareness, common sense and proper training of everyone involved in the operation, transport, maintenance and storage of the tool.

- Never leave the tool unattended.
- Never allow children to use the tool. Children should be supervised to ensure that they do not play with the tool.
- Keep children and pets away. All onlookers should be kept at a safe distance away from the tool when it is in use.
- The user is responsible for third parties while working with the tool.
- People who aren't acquainted with the operating instructions, children, juveniles who have not yet reached the minimum age for using this tool and people under the influence of alcohol, drugs or medication are not allowed to use the tool. Local regulations may restrict the age of the operator.



WARNING! The consumption of alcohol, medication and drugs, plus states of illness, fever and fatigue will affect your ability to react. Do not use this tool in any of these situations.

- Make sure that all the protective devices (if present) are fitted and are in good condition.
- Never operate the tool with defective safety devices or guards (if present), or without safety devices in place.
- Inspect the entire tool to look for loose parts (e.g. nuts, bolts, screws, etc.) and for any damage. Check at frequent intervals if screws and bolts (if present) are properly tight to be sure the equipment is in safe working condition. Repair or replace them, if necessary, before using the tool. Serious injury to the operator and to the bystanders could result if there's any damage to the tool.



- While using the tool, dress properly. Do not wear loose clothing or jewelry that could become caught by the tool. Wear suitable working clothes. It is recommended that legs and feet are covered, to protect them from eventual flying debris. Do not work barefoot or wearing open sandals. Long air should be tied back.
- Keep handles and grips dry, clean and free from oil and grease.
- Use proper protective equipment. Use safety glasses and safety gloves. Also use a dust mask during pulverulent operations or if exhaust gases are present. When necessary, use also non-slipping boots or shoes, hardhat and earplugs. If the noise level exceeds 85 dB(A), ear protection is obligatory.



WARNING! Use personal protective equipment! Safety devices and personal protective equipment protect your own health and the health of others and ensure a trouble-free operation of the tool.

- Do not start to use the tool if it is in an inverted position or it is not in the right working order.
- Ensure that you have a good stand, while you operate with the tool. Keep proper footing and balance at all times.
- Keep work area clean. Cluttered areas invite injuries. Before use, all foreign bodies must be removed from the working area, also pay attention to foreign objects during operation.
- Do not force the tool.
- Only work in daylight or sufficiently good artificial light. Never operate the tool without good visibility.
- Be careful not to drop the tool or hit it against obstacles.

ATTENTION! Stay alert. Watch what you are doing. Distraction can cause you to lose control. Use common sense.

Electrical safety rules

ATTENTION! When using electrical tools, the following safety instructions should be observed to prevent the risk of electric shock, personal injury and fire. Read and observe these instructions carefully before using the tool.

- It is recommended for increased electrical safety to use a Residual Current Device (RCD) with a tripping current of not more than 30 mA. Always check your RCD every time you use it. Consult a reliable electrician.



WARNING! The use of an RCD or other circuit breaker unit does not release the operator from the safety instructions and safe working practices given in this manual.

- The main voltage must correspond to the one marked on the labels and on this manual. Do not use other sources of power.
- Before inserting the plug in the main socket, make sure that the socket ratings are correct and correspond to those indicated on the rating label on the appliance.
- Avoid body contact with grounded surfaces such as pipes, radiators, ranges and refrigerators. This increases risk of electric shock if your body is grounded.



CAUTION! Touching electrified parts may cause death by electric shock or burn.

- Never move the appliance by pulling at the cables.
- Do not abuse the cord. Keep it away from heat, oil, sharp edges or moving parts.
- Always guide the connection line safely.
- Do not use power tools near flammable liquids or gases.
- Always disconnect the appliance from the mains supply before transporting it to other places.



CAUTION! The appliance should always be switched off at the mains before disconnecting any plug and socket connector or extension cables.

- Never pass the appliance over its own cord or extension cable, while the tool is working. Make sure you always know where the cable is.
- Do not wire a power cable directly into your device yourself. Instead, take the device to your nearest authorized Service Center.
- To avoid danger, damaged power cord should be replaced by manufacturer or its agent, or similar qualified person.
- Immediately unplug the tool when its cable is damaged or cut.

**ATTENTION! DANGER OF ELECTRIC SHOCK!**

Consider working area environment. Do not expose power tools to rain. Do not use power tools in damp or wet locations. Keep work area well lit and dry. Try to prevent the device from getting wet or being exposed to humidity. Do not leave it outside overnight. Water entering a power tool will increase the risk of electric shock.

- The power supply cable should be checked regularly and, before using it, make sure the cable is not damaged or worn out. If the cable is not in good condition, do not use the appliance; take it to an authorized service Center.
- When tool is used outdoor, only use an extension cable that is suitable for outdoor use and which is marked for this specific use. Keep it away from the working area, from damp, wet or oily surfaces and away from heat and flammable materials.
- Avoid any accidental starting: make sure that the power switch (if present) is in the «off» position, before plugging the tool in.
- Remove adjusting keys or wrenches before turning the tool on.
- Do not use the tool if the switch does not turn the tool on or off. Any tool that cannot be controlled with the switch is dangerous and must be repaired.

**WARNING! During the use of certain power tools, some dust containing chemicals known to cause cancer, may occur.**

Some of these chemicals are: lead from lead based paints, crystalline silica from bricks and cement and other masonry products, arsenic and chromium from chemically treated lumber and other dangerous products. If dust is present, your risk from these exposures varies, depending on how often you do this type of work. **To reduce your exposure to these chemicals, any time you do pulverulent operations, work in a well ventilated area and work with approved safety equipment, such as dust masks that are specially designed to filter out microscopic particles.**

- If the appliance strikes a foreign body, examine the device for signs of damage and carry out any necessary repairs before restarting and continuing to work.
- If the appliance starts to vibrate abnormally, turn it off and check for the cause immediately. Vibration is generally a warning of trouble.

- Always switch off the appliance and wait until the device completely stops whenever you leave the machine, before carrying out maintenance, before changing accessories, checking, cleaning, troubleshooting or working on the appliance.
- It is forbidden to move or modify any of the internal parts of the device.

Specific safety rules

- Make sure that the switch is in the “0” position and that the tool is completely turned off before putting the plug in the socket.
- Vapours can be generated when tool is used, wear a safety face mask! Always wear gloves and safety glasses.
- When the tool is turned off, the residual heat on the blade takes several minutes to dissipate. Use caution while the blade is still hot.
- Do not cool the blade in water.
- Do not spray or pour water on the tool.
- Always keep fingers, hands, body, and clothing away from the heated components of this tool.
- Always make sure the working area is well ventilated.
- During use and for a short time after use, the tool must not touch other objects than its targets.
- Do not use the tool continuously for a long time, but intersperse moments of rest.
- Use only undamaged blades that are in perfect condition.
- Improper use can lead to fire.
- Do not lay the tool down on a flammable surface. Use and lay this tool on a fireproof work surface only.
- Before putting the equipment away after use, let it cool down completely.

UNPACKING

When unpacking, check to make sure that all components are included. Refer to the drawings on this manual. If any parts are missing or broken, please call an IVT assistance center.

INITIAL OPERATION

Always use the correct supply voltage: the power supply voltage must match the information quoted on the tool identification plate.

SWITCHING ON / OFF**Switching On**

Press and hold on the On/Off switch (1) to heat up the blade (3).

**Switching Off**

Release the On/Off switch (1) to turn off the tool.

OPERATING INSTRUCTIONS [F1]

WARNING! Do not use the tool with the scale bracket (4) out of position. Always position the scale bracket (4) so it abutting with the piece to be cut. Serious injuries and burns may occur.

1. Connect the plug into an appropriate electrical outlet.
2. Turn the selector knob (2) to the desired temperature.
3. Press and hold the On / Off switch (1) to heat up the blade (3); the blade (3) will reach the operating temperature in about one minute and will remain at the temperature selected. The led will illuminate during operation.
4. When the blade (3) has reached the temperature, you may use the sharp edge of the blade (3) for line cutting or use the side of the blade (3) for wide groove cutting.
5. When pressure on the On/Off switch (1) is released, the blade (3) will cool down gradually. Turn off the tool and unplug it from its electrical outlet.



WARNING! The residual heat on the blade (3) takes several minutes to dissipate. Use caution while the blade (3) is still hot.

Adjusting the cutting depth

The cutting depth of the tool may be adjusted using the scale bracket (4). To adjust the depth, loosen the two clamping screws (5). Pull out or retract the scale bracket (4) to the desired cutting depth. Then retighten the two clamping screws (5).

MAINTENANCE AND STORAGE

Before any work on the device itself, pull the mains plug.

- Always keep the tool and the ventilation slots (if present) cleaned. Regular cleaning and maintenance of the appliance will ensure efficiency and prolong the life of your tool.
- If the tool should fail despite the rigorous manufacturing and testing procedures, the repair should be carried out by an authorized IVT customer service.
- Keep all nuts, bolts, and screws tight, to be sure the tool is in safe working condition.
- Replace worn or damaged parts for safety.
- Use only original spare parts. Parts not produced by manufacturer may cause poor fit and possible injury.
- Store the tool in a dry room out of reach of kids and away from any flammable material.
- Never wet the device or spray water on it!

ENVIRONMENTAL PROTECTION

Recycle raw materials instead of disposing as waste.

Tool, accessories and packaging should be sorted for environment-friendly recycling. The plastic components are labeled for categorized recycling. These instructions are printed on recycled paper manufactured without chlorine.



ATTENTION! DO NOT ATTEMPT TO REPAIR THE PRODUCT BY YOURSELF AND DO NOT TAMPER WITH IT! Any operation of repairing or extraordinary maintenance must be carried out only by a qualified and authorized IVT Service Center. Do not try to modify any internal part of the product! THIS WILL COMPLETELY VOID THE WARRANTY AND IT COULD CAUSE SERIOUS INJURY AND DAMAGE.



TECHNISCHE DATEN DES WERKZEUGES

Modell	EHK-130G
Nennaufnahmeleistung [W]	130
Nennspannung ~ Frequenz [V ~ Hz]	230 ~ 50
Aufwärmzeit [min]	1 - 2
Arbeitstemperatur (in unterschiedlichen Betriebsarten) [°C]	1) 100; 2) 160; 3) 230; 4) 360; 5) 450
Schnitttiefe [mm]	95 - 138
Messerrlänge [mm]	140
Messerbreite [mm]	20
Gewicht [kg]	0.6
Sicherheitskasse	II

ZUBEHÖRTEILE

1. Schalter "Ein"/ "Aus"
2. Wahlhebel
3. Schnittkante
4. Abschnittskorb
5. Schnappschraube
6. Helm
7. Leuchtdiode

BOXGEHALT

Bedienungsanleitung (1 St.), Abschnittskorb (1 St.).

VORAUSSICHTLICHE BENUTZUNG

Dieses Erzeugnis ist für thermisches Schneiden solcher Materialien wie Kunststoff, Schaum, Schaumstoff bestimmt.

ARBEITSSICHERHEIT BEI DER BENUTZUNG

Allgemeine Regeln der Arbeitssicherheit

Folgende Anleitungen zur Arbeitssicherheit helfen Ihnen das Werkzeug richtig benutzen und Ihre eigene Sicherheit gewährleisten. Deswegen lesen Sie sie besonnen und aufmerksam.

Im Falle der Übergabe des Werkzeuges für die Benutzung eines Dritten, geben Sie ihm auch vorliegende Anleitungen der Arbeitssicherheit.

Behalten Sie diese Anleitung und sonstige Literatur, die mitgeliefert werden. Wenden Sie sich an sie, wenn die Fragen entstehen.

Folgen Sie strikt den Regeln der Arbeitssicherheit und Warnungen, die am Werkzeug angegeben sind.

Vor der Arbeit machen Sie sich mit der Werkzeugsteuerung bekannt, aber, vor allem, studieren

Sie die Verfahren seines Nothalts.

Indem Sie diesen einfachen Anleitungen folgen, werden Sie Ihr Werkzeug im einwandfreien Zustand halten.

- Vor dem Einsatz ist das Werkzeug richtig zu montieren.

- Setzen Sie das Werkzeug streng zweckgemäß.

- Nehmen Sie Warnungstafeln und Hinweise am Werkzeug und studieren Sie sie aufmerksam. Aufmerksamkeit, vernünftiges Herangehen zur Arbeit und eine entsprechende Ausbildung von Personen, die am Betrieb, Transportieren, an der Wartung und Lagerhaltung des Werkzeuges teilnehmen, helfen Unfälle verhindern.

- Lassen Sie das Werkzeug ohne Aufsicht nicht.

- Lassen Sie die Benutzung des Werkzeuges durch Kinder nicht zu. Erlauben Sie den Kindern nicht, mit dem Werkzeug zu spielen. играть с инструментом.

- Lassen Sie das Auffinden von Kindern und Tieren in der Nähe des Werkzeuges nicht zu. Die, die den Wunsch haben, die Arbeit des Werkzeuges zu beobachten, sollen sich im sicheren Abstand von ihm befinden.

- Bei der Arbeit mit dem Werkzeug haftet der Benutzer für die Sicherheit von Dritten.

- Personen, die Bedienungsanleitung nicht studiert haben, Kinder, Minderjährige, die das Alter, das die Benutzung des Werkzeuges erlaubt, nicht erreicht haben, sowie Personen, die sich im Alkohol- oder Rauschzustand oder unter Wirkung medizinischer Präparate befinden, werden zur Arbeit mit dem Werkzeug nicht zugelassen. Das Alter des Bedienenden wird durch örtliche Rechtsvorschriften bestimmt.



VORSICHT! Alkohol, einige Heilmittelpräparate und berauschende Mittel sowie Krankheit, Fieber und Müdigkeit vermindern die Geschwindigkeit der Reaktion. In oben genannten Fällen benutzen Sie das Werkzeug nicht.

- Versichern Sie sich, dass alle Schutzeinrichtungen (falls vorhanden) installiert und nutzungsfähig sind.
- Benutzen Sie das Werkzeug ohne Schutzeinrichtungen (falls vorhanden), oder falls sie beschädigt sind, nicht.
- Prüfen Sie das Werkzeug in bezug auf den Bestand von losen Teilstücken (Muttern, Bolzen, Schrauben usw.) oder Beschädigungen. Um sichere Arbeit des Werkzeuges zu gewährleisten, prüfen Sie regelmäßig, ob Bolzen und Schrauben gut festgezogen sind (falls vorhanden). Bei Bedarf führen Sie vor dem Einsatz des Werkzeuges ihre Reparatur oder ihren Austausch durch. Im Falle des Einsatzes des beschädigten Werkzeuges können dem Bedienenden oder Dritten ernste Verletzungen zugefügt werden.
- Verwenden Sie bei der Arbeit eine entsprechende Arbeitskleidung. Weite Kleidung, Schmuckstücke können von beweglichen Teilen mitgenommen werden. Arbeiten Sie nur in entsprechender Arbeitskleidung. Schützen Sie ihre Beine und Füße vor auseinanderfliegender Feine. Arbeiten Sie barfuß oder in offenen Sandalen nicht. Tragen Sie langes Haar hinten zusammen.
- Halten Sie Haltegriffe und Halter trocken und sauber.
- Verwenden Sie entsprechende PSA. Verwenden Sie Schutzbrille und Handschuhe. Bei der Arbeit mit Pulvern oder bei dem Auswurf von Abgasen verwenden Sie den Staubrespirator. Bei Bedarf ziehen Sie gleitsichere Schuhe, den Schutzhelm und schützen Sie ihre Gehörorgane mit Ohrstöpseln. Wenn die Lautstärke 85 dB(A) überschreitet, verwenden Sie unbedingt Gehörschütze.



VORSICHT! Verwenden Sie persönliche Schutzausrüstung! Die Schutzeinrichtungen und PSA gewährleisten die Sicherung ihrer Gesundheit und die Gesundheit der Umstehenden sowie garantieren störungsfreie Arbeit des Werkzeuges.

- Lassen Sie das Werkzeug nicht an, wenn es umgedreht oder im Ruhezustand ist.
- Während der Arbeit nehmen Sie die Beharrungsstellung. Halten Sie immer das

Gleichgewicht.

- Halten Sie die Sauberkeit im Arbeitsbereich ein. Auf den gesperrten Abschnitten ist ein hohes Niveau von Unfällen. Vor dem Einsatz des Werkzeuges räumen Sie von der Arbeitsfläche alle Fremdkörper auf sowie vermeiden Sie den Eintritt von Fremdkörpern unter das Werkzeug während der Arbeit.
- Drücken Sie stark auf das Werkzeug während der Arbeit nicht.
- Benutzen Sie das Werkzeug nur bei gutem Tages- oder Kunstlicht. Benutzen Sie das Werkzeug bei schlechter Sicht nicht.
- Lassen Sie das Werkzeug nicht fallen, lassen Sie den Anstoß des Werkzeuges auf irgendwelche Hindernisse nicht zu.

VORSICHT! Gut aufpassen. Schauen Sie von dem durch das Werkzeug bearbeitenden Stück nicht weg. Indem man ablenkt, kann man die Steuerung verlieren. Arbeiten Sie vernünftig.

Regeln der elektrischen Sicherheit

ACHTUNG! Um den Stromschlag, die Schadenzufügung der Gesundheit oder die Entflammung bei der Verwendung von Elektrowerkzeugen zu vermeiden, muss man folgende Arbeitsschutzvorschriften beachten. Vor dem Einsatz des Werkzeuges lesen Sie diese Anleitungen und folgen Sie ihnen streng.

- Um ein entsprechendes Sicherheitsniveau sicherzustellen, empfiehlt es sich, die Differentialschutzanlage (DSA) zu verwenden, die auf den Abschaltstrom nicht mehr als 30 mA errechnet ist. Prüfen Sie die Einsatzfähigkeit der DSA bei jedem Einsatz. Lassen Sie sich von einem qualifizierten Elektriker beraten.



ACHTUNG! Der Einsatz der PSA oder einer anderen Einrichtung der Schutzabschaltung entbindet den Bedienenden von der obligatorischen Bekanntmachung mit Arbeitsschutzvorschriften und Methoden unfallfreier Arbeit, die in dieser Anleitung angegeben sind.

- Die Netzspannung soll dem Wert, der auf dem Etikett und in der Anleitung angegeben ist, entsprechen. Verwenden Sie andere Speisungsquellen nicht.
- Vor der Anschaltung des Werkzeuges an das Netz versichern Sie sich, dass die Steckdose den Angaben, die auf dem Etikett angegeben sind, entspricht.



Bedienungsanleitung

- Berühren Sie mit dem Körper geerdete Flächen (Röhre, Heizkörper und Kältevorrichtungen) nicht. Bei der Erdung durch den Körper erhöht sich das Risiko des Stromschlages.



VORSICHT! Zur Vermeidung der Verbrennung oder der Stromschädigung Leitstücke nicht berühren.

- Ziehen Sie für die Netzschnur bei der Verschiebung des Werkzeuges nicht.
- Benutzen Sie die Netzschnur mit Vorsicht. Schützen Sie die Netzschnur vor Wärmeeinwirkung, vermeiden Sie ihren Kontakt mit Schmierstoffen sowie mit scharfen Sachen oder beweglichen Teilen.
- Seien Sie mit der Netzschnur vorsichtig.
- Verwenden Sie Elektrowerkzeuge in der Nähe von leichtentflammaren Flüssigkeiten und Brenngasen nicht.
- Bevor Sie das Werkzeug auf einen anderen Platz übertragen, schalten Sie es von dem Netz frei.



VORSICHT! Das Werkzeug ist zuerst auszuschalten und dann von der Steckdose oder Verlängerungsschnur freizuschalten.

- Drücken Sie die Netzschnur oder die Verlängerungsschnur während der Arbeit des Werkzeuges nicht durch und verwickeln Sie sie nicht. Haben Sie das Kabel immer im Auge.
- Schließen Sie das Netzkabel unmittelbar an das Werkzeug selbständig nicht an. Wenden Sie sich an das nächste offizielle Dienstleistungszentrum.
- Bei der Schnurbeschädigung soll sie unbedingt der Hersteller oder sein Agent, oder eine andere sachkundige Person austauschen.
- Ziehen Sie umgehend den Stecker aus der Steckdose heraus, wenn die Netzschnur beschädigt oder eingeschnitten ist.



ACHTUNG! STROMSCHLAGEGFAHR!

Lenken Sie Ihre Aufmerksamkeit auf Ihren Arbeitsplatz. Benutzen Sie Elektrowerkzeuge unter Regen nicht. Benutzen Sie Elektrowerkzeuge in feuchten und nassen Räumen nicht. Halten Sie ihren Arbeitsbereich trocken, sichern Sie gute Beleuchtung. Schützen Sie das Werkzeug vor Feuchtigkeit. Lassen Sie das Werkzeug in der Freiluft über Nacht nicht. Beim Wassereindringen in

das Werkzeug erhöht sich das Risiko des Stromschlages.

- Prüfen Sie die Netzschnur auf das Vorhandensein von Beschädigungen und Zeichen der Abnutzung regelmäßig und vor jedem Einsatz. Benutzen Sie das Werkzeug mit der beschädigten Netzschnur nicht; Wenden Sie sich an das offizielle Dienstleistungszentrum.
- Bei der Arbeit draußen verwenden Sie nur dafür bestimmte Verlängerungsschnur mit einer entsprechenden Markierung. Vermeiden Sie den Eintritt der Verlängerungsschnur unter das Werkzeug, schützen Sie sie vor Feuchtigkeit, vor Wärmeeinwirkung, vermeiden Sie den Kontakt mit Schmierstoffen und leichtentflammenden Stoffen.
- Vermeiden Sie zufälliges Anlassen des Werkzeuges: vor dem Anschluss des Werkzeuges an das Netz versichern Sie sich, dass der Schalter (falls vorhanden) in die Position 'off' (AUS) umgeschaltet ist.
- Vor dem Anlassen des Werkzeuges entfernen Sie Einstellkeile und Stellschlüssel.
- Benutzen Sie das Werkzeug mit dem gestörten Schalter nicht. Das Werkzeug mit dem gestörten Schalter ist gefährlich und erfordert die Reparatur.



ACHTUNG! Manchmal während der Arbeit mit Elektrowerkzeugen bildet sich Staub, der die den Krebs erregende Stoffe enthält.

Zu solchen chemischen Stoffen gehören: Blei in Bleioxid, Quarz, der zum Bestand des Backsteins und des Zements gehört, Arsen und Chrom, die im Schnittholz, das durch chemische Reagens behandelt ist, enthalten sind, und sonstige schädliche Stoffe. Das Risiko der Einwirkung dieser chemischen Stoffe hängt von der Häufigkeit der Durchführung der mit ihnen verbundenen Arbeiten ab.

Um ihre schädliche Einwirkung zu reduzieren, arbeiten Sie in einem gut gelüfteten Raum und benutzen Sie entsprechende fehlerfreie PSA, z.B., Staubrespiratoren, die speziell für die Ausfrierung von mikroskopischen Teilchen entwickelt sind.

- Bei dem Eintritt eines Fremdkörpers unter das Werkzeug prüfen Sie es auf das Vorhandensein von Beschädigungen und machen Sie eine notwendige Reparatur.
- Bei dem Entstehen der Übervibration schalten Sie das Werkzeug aus und stellen Sie umgehend die Ursache fest. Die Vibration ist gewöhnlich ein Zeichen der Störung.
- Bevor Sie Ihren Arbeitsplatz verlassen, führen Sie die Reparatur, Sichtkontrolle oder Reinigung des Werkzeuges, schalten Sie es aus und warten Sie auf



vollständiges Stoppen von beweglichen Teilen.

- Es ist verboten, die Innenteile des Werkzeuges abzumontieren und zu ändern.

Besondere Arbeitsschutzvorschriften

- Stellen Sie sicher, dass sich der Schalter in der Position „0“ befindet, und das Werkzeug ganz abgeschaltet ist, bevor Sie es ans Netz anschließen.
- Bei der Arbeit des Werkzeuges können Ausdunstungen entstehen, deswegen empfiehlt es sich Gesichtsschutzschild, Handschuhe, Schutzbrille zu verwenden.
- Nach dem Ausschalten des Werkzeuges wird die Wärme von seiner Schnittkante minutenlang auseinandergetrieben, was der Sicherheit bedarf.
- Die Schnittkante im Wasser nicht abkühlen lassen.
- Das Werkzeug ist vor Spritzern und Wasserstrahlen nicht geschützt.
- Es ist Finger, Hände, Körper, Kleidung vor der Einwirkung vor erhitzten Teilen zu schützen.
- Die Arbeitszone soll gut ausgelüftet werden.
- Während der Einschaltung und direkt nach ihr ist der Kontakt des Werkzeuges mit sonstigen Objekten auszuschließen.
- Bei Bedarf des Dauergebrauchs des Werkzeuges empfiehlt es sich Pausen zu machen.
- Zur Verwendung werden nur Schnittkanten im befriedigenden Zustand und ohne Beschädigungen zugelassen.
- Falsche Verwendung kann zum Grund des Brandes werden.
- Es ist das Werkzeug auf brennbare Flächen nicht zu legen.
- Bevor man das Werkzeug nach der Arbeit aufräumt, muss man es ganz abkühlen lassen.

AUFSCHLUSS DER VERPACKUNG

Bei dem Aufschluss der Verpackung prüfen Sie das Vorhandensein des Zubehörs. Vgl. Zeichnungen zu dieser Anleitung. Bei dem Fehlen oder Defekt von einigen Teilen wenden Sie sich an das Dienstleistungszentrum IVT.

BEGINN DES BETRIEBS

Der Spannungswert soll dem auf dem Schild der Passangaben angegebenen Wert des Werkzeuges entsprechen.

EIN-UND AUSSCHALTEN

Einschalten

Den Schalter „EIN/AUS“ (1) für Erhitzen (3) drücken und festhalten.

Ausschalten

Den Schalter „EIN/AUS“ (1) zum Ausschalten freilassen.

BETRIEBSANLEITUNG [F1]



ACHTUNG! Die Verwendung des Werkzeuges mit dem falsch installierten Messbügel (4) wird nicht zugelassen. Sie ist knapp mit dem abzuschneidenden Teil anzubringen. Es sind ernste Verletzungen und Brandwunden möglich.

1. Den Stecker an eine entsprechende Stromversorgungsquelle anschließen.
2. Mithilfe des Wahlhebels (2) notwendige Temperaturen einstellen.
3. Den Schalter „EIN/AUS“ (1) für Anwärmen des Schneiders (3) drücken und festhalten; der Schneider (3) erreicht die Arbeitstemperatur etwa in einer Minute und wird sie behalten. Während der Arbeit wird die Leuchtdiode leuchten.
4. Wenn der Schneider (3) die Temperatur erreicht, so kann man seinen Zant für Linearschneiden oder den Seitenteil für breite Ausschnitte verwenden.
5. Nach dem Freilassen des Schalters „EIN/AUS“ (1) wird sich sein Zant (3) allmählich abkühlen. Das Werkzeug ausschalten und den Stecker aus der Steckdose herausnehmen.



ACHTUNG! Nach dem Ausschalten des Werkzeuges wird die Wärme von seiner Schnittkante (3) minutenlang auseinandergetrieben, was der Sicherheit bedarf.

Einstellung der Schnitttiefe

Die Schnitttiefe des Werkzeuges kann man mithilfe des Messbügels (4) einstellen. Dafür muss man 2 Sicherungsschrauben (5) lockern. Den Messbügel (4) für die erforderliche Größe herausziehen. Die Schrauben (5) wieder anziehen.

WARTUNG UND LAGERHALTUNG



VORSICHT! Bevor Sie die Arbeit mit dem Werkzeug beginnen, schalten Sie es von der Steckdose frei.

- Halten Sie das Werkzeug und Luftöffnungen (falls vorhanden) sauber. Regelmäßige Reinigung und Wartung garantieren eine hohe Effektivität und einen



Bedienungsanleitung

langen Betrieb des Werkzeuges.

- Im Falle des Versagens, ungeachtet der Einhaltung aller Regeln des Betriebes und der Erprobung des Werkzeuges, soll die Reparatur in einem offiziellen Dienstleistungszentrum IVT durchgeführt werden.
- Alle Muttern, Bolzen und Schrauben sollen festgezogen sein.
- Tauschen Sie beschädigte oder abgenutzte Teile aus.
- Verwenden Sie nur die Originalersatzteile. Die Teile, die von einem anderen Hersteller produziert sind, passen undicht und erhöhen das Risiko von Verletzungen.
- Bewahren Sie das Werkzeug auf einem trockenen für Kinder unzugänglichen Platz, in der sicheren Entfernung von leichtentflammenden Stoffen auf.
- Vermeiden Sie das Treffen des Wassers auf das Werkzeug!

UMWELTSCHUTZ



Befördern Sie Müll und Abfälle zur Überarbeitung!

Das Werkzeug, Zusatzgeräte und Verpackung sind zur ökologisch sicheren Überarbeitung zu befördern.

Die Elemente aus Kunststoff haben einen Vermerk über die Möglichkeit einer klassifizierten Überarbeitung. Die vorliegende Anleitung ist auf dem Recyclingpapier, das kein Chlor enthält, gedruckt.



ACHTUNG! ES IST VÖLLIG UNZULÄSSIG, DIE REPARATUR DES ERZEUGNISSES SELBSTÄNDIG DURCHZUFÜHREN UND ZU VERSUCHEN, IHRE SPUREN ZU VERBERGEN! Nur das autorisierte IVT-Service-Zentrum hat das Recht auf die Durchführung der Reparatur und erweiterte Aufrechterhaltung. Die Eintragung von Änderungen in den Innenausbau des Erzeugnisses ist verboten! SOLCHE HANDLUNGEN SIND NICHT DER GRUND FÜR DEN VERZICHT AUF DIE GARANTIEVERPFLICHTUNGEN, SIE KÖNNEN AUCH ALS GRUND FÜR BESCHÄDIGUNGEN UND ERNSTE KÖRPERVERLETZUNGEN SEIN.

ТЕХНИЧЕСКИЕ ХАРАКТЕРИСТИКИ ИНСТРУМЕНТА

Модель	ЕНК-130G
Номинальная мощность [Вт]	130
Напряжение ~ Частота [В ~ Гц]	230 ~ 50
Время прогрева [мин]	1 - 2
Рабочая температура (на различных режимах) [°С]	1) 100; 2) 160; 3) 230; 4) 360; 5) 450
Глубина резания [мм]	95 - 138
Длина ножа [мм]	140
Ширина ножа [мм]	20
Длина [кг]	0.6
Класс безопасности	II

КОМПЛЕКТУЮЩИЕ ДЕТАЛИ

1. Переключатель «Вкл.» / «Откл.»
2. Ручка избирателя
3. Режущая кромка
4. Корзина обрез
5. Зашелкивающий винт
6. Рукоять
7. Светодиод

СОДЕРЖИМОЕ КОРОБКИ

Инструкция по эксплуатации (1 шт.), корзина обрез (1 шт.).

ПРЕДПОЛАГАЕМОЕ ИСПОЛЬЗОВАНИЕ

Данное изделие предназначено для термического резания таких материалов, как пластмасса, пена, пенопласт.

ТЕХНИКА БЕЗОПАСНОСТИ ПРИ ИСПОЛЬЗОВАНИИ

Общие правила техники безопасности

Следующие инструкции по технике безопасности помогут вам правильно пользоваться инструментом и обеспечить собственную безопасность. Поэтому прочитайте их вдумчиво и внимательно.

В случае передачи инструмента для использования третьему лицу передайте и настоящие инструкции по технике безопасности.

Сохраните данную инструкцию и прочую литературу, входящую в комплект поставки. Обращайтесь к ней в случае возникновения вопросов.

Строго следуйте правилам техники безопасности и предостережениям, указанным на инструменте.

Перед началом работы ознакомьтесь с органами управления инструмента, но, прежде всего, изучите

способы его экстренной остановки.

Следуя этим простым инструкциям, и вы будете содержать ваш инструмент в исправном состоянии.

- Перед использованием инструмент необходимо правильно собрать.
- Используйте инструмент строго по назначению.
- Отнеситесь внимательно к предупредительным надписям и указаниям на инструменте и внимательно изучите их. Внимательность, разумный подход к работе и соответствующая подготовка лиц, задействованных в эксплуатации, транспортировке, обслуживании и хранении инструмента, помогут предотвратить несчастные случаи.
- Не оставляйте инструмент без присмотра.
- Не допускайте использования инструмента детьми. Не позволяйте детям играть с инструментом.
- Не допускайте нахождения вблизи инструмента детей и животных. Те, кто желает понаблюдать за работой инструмента, должны находиться на безопасном расстоянии от него.
- При работе с инструментом пользователь несет ответственность за безопасность третьих лиц.
- Лица, не ознакомленные с инструкциями по эксплуатации, дети, несовершеннолетние, не достигшие возраста, позволяющего использовать инструмент, а также лица, находящиеся в состоянии алкогольного или наркотического опьянения, либо под воздействием медицинских препаратов, не допускаются к работе с инструментом. Возраст оператора устанавливается местными нормативными актами.



ОСТОРОЖНО! Алкоголь, некоторые лекарственные препараты и наркотические вещества, а также состояние нездоровья, жар и утомление снижают скорость реакции. Не используйте данный инструмент в вышеперечисленных случаях.

- Убедитесь, что все защитные приспособления (если таковые имеются) установлены и пригодны к эксплуатации.
- Не используйте инструмент без защитных приспособлений (если таковые имеются), либо если они повреждены.
- Осмотрите инструмент на наличие незакрепленных деталей (гаек, болтов, винтов и т.д.) или повреждений. Чтобы обеспечить безопасную работу инструмента, периодически проверяйте, хорошо ли затянуты болты и винты (если таковые имеются). При необходимости перед использованием инструмента произведите их ремонт или замену. В случае использования поврежденного инструмента оператору или посторонним лицам могут быть нанесены серьезные травмы.
- Используйте для работы соответствующую спецодежду. Просторная одежда, украшения могут быть затянуты движущимися частями. Работайте только в подходящей спецодежде. Защитите ноги и ступни от разлетающегося мусора. Не работайте босиком или в открытых сандалиях. Соберите длинные волосы сзади.
- Содержите ручки и рукоятки в чистоте и сухости.
- Используйте соответствующие СИЗ. Используйте защитные очки и перчатки. При работе с порошками или при выбросах выхлопных газов используйте противопылевой респиратор. При необходимости наденьте нескользкую обувь, каску и защитите органы слуха берушами. Если уровень шума превышает 85 дБ(А), обязательно используйте защитные наушники.



ОСТОРОЖНО! Пользуйтесь средствами индивидуальной защиты! Защитные приспособления и СИЗ обеспечивают сохранность вашего здоровья и здоровья окружающих, а также гарантируют бесперебойную работу инструмента.

- Не запускайте инструмент, если он перевернут или находится в нерабочем положении.

- Во время работы примите устойчивое положение. Постоянно сохраняйте равновесие.
- Соблюдайте чистоту на рабочем участке. На загроможденных участках наблюдается высокий уровень травматизма. Перед использованием инструмента уберите с рабочей площадки все посторонние предметы, а также избегайте попадания под инструмент посторонних предметов во время работы.
- Не давите на инструмент с силой во время работы.
- Используйте инструмент только при хорошем дневном или искусственном освещении. Не используйте инструмент в условиях плохой видимости.
- Не роняйте инструмент, не допускайте столкновения инструмента с какими-либо препятствиями.

ОСТОРОЖНО! Будьте внимательны. Не отводите взгляд от обрабатываемого инструментом предмета. Отвлечшись, можно потерять управление. Подходите к работе разумно.

Правила электробезопасности

ВНИМАНИЕ! Во избежание удара электрическим током, причинения вреда здоровью или возгорания при использовании электроинструментов необходимо соблюдать следующие инструкции по технике безопасности. Перед использованием инструмента прочтите и точно соблюдайте данные инструкции.

- Чтобы обеспечить соответствующий уровень безопасности, рекомендуется использовать устройство дифференциальной защиты (УДЗ), рассчитанное на ток отключения не более чем 30 мА. Проверьте исправность УДЗ при каждом использовании. Проконсультируйтесь у квалифицированного электрика.



ВНИМАНИЕ! Использование УДЗ или другого устройства защитного отключения не освобождает оператора от обязательного ознакомления с правилами техники безопасности и приемами безопасной работы, указанными в данной инструкции.

- Напряжение сети должно соответствовать значению, указанному на ярлыке и в инструкции. Не используйте другие источники питания.

- Перед подключением инструмента к сети убедитесь, что розетка соответствует данным, указанным на ярлыке.
- Не прикасайтесь телом к заземленным поверхностям (трубами, радиаторами, батареями и рефрижераторами). При заземлении через тело риск удара электрическим током повышается.



ОСТОРОЖНО! Во избежание ожога или поражения электрическим током не прикасайтесь к электропроводящим деталям.

- Не тяните за шнур питания при перемещении инструмента.
- Пользуйтесь шнуром питания с осторожностью. Берегите шнур питания от воздействия тепла, избегайте его контакта со смазочными материалами, а также острыми предметами или движущимися частями.
- Будьте осторожны со шнуром питания.
- Не пользуйтесь электроинструментами вблизи легковоспламеняющихся жидкостей и горючих газов.
- Перед тем, как переносить инструмент на другое место, отключайте его от сети.



ОСТОРОЖНО! Инструмент необходимо сначала выключить, а затем отсоединять от розетки или удлинителя.

- Не пережимайте и не запутывайте шнур питания или удлинитель во время работы инструмента. Не теряйте кабель из виду.
- Не подключайте силовой кабель напрямую к инструменту самостоятельно. Обратитесь в ближайший официальный центр обслуживания.
- При повреждении шнура питания его обязательно должен заменить изготовитель или его агент, или другой квалифицированный специалист.
- Немедленно извлеките вилку из розетки, если шнур питания поврежден или разрезан.



ВНИМАНИЕ! ОПАСНОСТЬ ПОРАЖЕНИЯ ЭЛЕКТРИЧЕСКИМ ТОКОМ!

Обратите внимание на ваше рабочее место. Не используйте электроинструменты под дождем. Не используйте электроинструменты во влажных и сырых помещениях. Содержите рабочий участок в сухости, обеспечьте хорошее

освещение. Берегите инструмент от влаги. Не оставляйте инструмент на открытом воздухе на ночь. При попадании воды в электроинструмент повышается риск удара электрическим током.

- Регулярно и каждый раз перед использованием проверяйте шнур питания на наличие повреждений и признаков износа. Не используйте инструмент с поврежденным шнуром питания; обратитесь в официальный центр обслуживания.
- При работе на улице используйте только предназначенные для этого удлинители с соответствующей маркировкой. Избегайте попадания удлинителя под инструмент, берегите его от влаги, от воздействия тепла, избегайте контакта со смазочными материалами и легковоспламеняющимися веществами.
- Избегайте случайного запуска инструмента: перед подключением инструмента к сети убедитесь, что выключатель (при наличии) переведен в положение 'off' (выкл.).
- Перед включением инструмента удалите установочные клинцы и ключи.
- Не используйте инструмент с неисправным выключателем. Инструмент с неисправным выключателем представляет опасность и требует ремонта.



ВНИМАНИЕ! Иногда во время работы с электроинструментами образуется пыль, содержащая вызывающие рак вещества.

К таким химическим веществам относятся: свинец в составе свинцовых белил, кварц, входящий в состав кирпича и цемента, мышьяк и хром, содержащиеся в пиломатериале, обработанном химическими реагентами, и прочие вредные вещества. Риск воздействия данных химических веществ зависит от частоты проведения связанных с ними работ.

Чтобы сократить их вредное воздействие, работайте в хорошо проветриваемом помещении и используйте соответствующие исправные СИЗ, например, противопылевые респираторы, специально разработанные для отфильтровывания микроскопических частиц.

- При попадании под инструмент постороннего предмета осмотрите его на наличие повреждений и произведите необходимый ремонт.
- При возникновении чрезмерной вибрации отключите инструмент и немедленно выясните причину. Вибрация обычно является признаком повреждения.
- Перед тем, как покинуть рабочее место, произведите ремонт, осмотр или очистку инструмента,



отключите его и дождитесь полной остановки движущихся деталей.

- Запрещается снимать или изменять внутренние детали инструмента.

Особые правила по технике безопасности

- Убедиться в том, что переключатель находится в положении «0», а инструмент полностью отключен, перед тем, как подключить его к розетке.
- При работе инструмента могут образовываться испарения, поэтому рекомендуется использование лицевого щитка, перчаток, защитных очков.
- После отключения инструмента тепло с его режущей кромки рассеивается в течение нескольких минут, что требует осторожности.
- Не допускается охлаждать режущую кромку в воде.
- Инструмент не защищен от брызгов и струй воды.
- Следует оберегать от воздействия раскаленных частей пальцы, руки, тело, одежду.
- Рабочая зона должна хорошо проветриваться.
- Во время включения и непосредственно после него следует исключить контакт инструмента с прочими объектами.
- При необходимости длительного использования в работе инструмента рекомендуется делать перерывы.
- К использованию допускаются только режущие кромки в удовлетворительном состоянии и без повреждений.
- Неправильное использование может явиться причиной пожара.
- Не следует укладывать инструмент на горячие поверхности.
- Перед тем, как убрать инструмент после пользования, следует дать ему полностью остыть.

ВСКРЫТИЕ УПАКОВКИ

При вскрытии упаковки проверьте наличие всех комплектующих деталей. См. чертежи к данному руководству. При отсутствии или неисправности каких-либо деталей обратитесь в центр обслуживания IVT.

НАЧАЛО ЭКСПЛУАТАЦИИ

Значение напряжения питания должно соответствовать указанному в табличке паспортных данных инструмента.

ВКЛЮЧЕНИЕ / ВЫКЛЮЧЕНИЕ

Включение

Нажать и удерживать переключатель (1) «Вкл.» / «Откл.» для прогрева резака (3).

Выключение

Отпустить переключатель (1) «Вкл.» / «Откл.» для отключения.

РУКОВОДСТВО ПО ЭКСПЛУАТАЦИИ [F1]



ВНИМАНИЕ! Не допускается использовать инструмент с неправильно установленной измерительной скобой (4). Устанавливать последнюю следует в обрез с отрезаемой частью. Возможны серьезные травмы и ожоги.

1. Установить вилку в соответствующий источник электроэнергии.
2. При помощи избирателя (2) установить необходимую температуру.
3. Нажать и удерживать переключатель (1) «Вкл.» / «Откл.» для прогрева резака (3); резак (3) прогреется до рабочей температуры примерно через минуту и будет ее удерживать. Во время работы будет гореть светодиод.
4. Когда резак (3) наберет температуру, можно использовать его лезвие для линейного резания, либо боковую часть для широких выемок.
5. После отпускания переключателя (1) «Вкл.» / «Откл.», его лезвие (3) постепенно остынет. Отключить инструмент и вынуть его вилку из розетки.



ВНИМАНИЕ! После отключения инструмента тепло с его режущей кромки (3) рассеивается в течение нескольких минут, что требует осторожности.

Регулировка глубины резания

Глубину резания инструмента можно установить при помощи измерительной скобы (4). Для этого ослабить 2 фиксирующих винта (5). Вытянуть измерительную скобу (4) на требуемую величину. Вновь затянуть винты (5).

ОБСЛУЖИВАНИЕ И ХРАНЕНИЕ



ОСТОРОЖНО! Прежде чем начать работу с инструментом, выключите его из розетки.

- Содержите инструмент и вентиляционные отверстия (при наличии) в чистоте. Регулярная очистка и обслуживание гарантируют высокую эффективность и продолжительную эксплуатацию инструмента.
- В случае выхода из строя, несмотря на соблюдение всех правил эксплуатации и опробования инструмента, ремонт должен выполняться в официальном сервисном центре IVT.
- Все гайки, болты и винты должны быть плотно затянуты.
- Замените поврежденные или изношенные детали.
- Используйте только оригинальные запчасти. Детали, изготовленные сторонним производителем, прилегают неплотно и повышают риск возникновения травм.
- Храните инструмент в сухом недоступном для детей месте, на безопасном расстоянии от легковоспламеняющихся материалов.
- Избегайте попадания воды на инструмент!

ЗАЩИТА ОКРУЖАЮЩЕЙ СРЕДЫ



Отправляйте мусор и отходы на переработку!

Инструмент, дополнительные приспособления и упаковку следует отправить на экологически безопасную переработку.

Пластиковые элементы имеют отметку о возможности классифицированной переработки. Настоящая инструкция напечатана на вторичной бумаге, не содержащей хлор.



ВНИМАНИЕ! ПРОИЗВОДИТЬ РЕМОНТ ИЗДЕЛИЯ САМОСТОЯТЕЛЬНО И ПЫТАТЬСЯ СКРЫТЬ ЕГО СЛЕДЫ СОВЕРШЕННО НЕДОПУСТИМО! Только авторизованный IVT Сервис-Центр имеет право на проведение ремонта и расширенного технического обслуживания. Внесение изменений во внутреннее устройство изделия запрещено! **ТАКИЕ ДЕЙСТВИЯ НЕ ТОЛЬКО ЯВЛЯЮТСЯ ОСНОВАНИЕМ В ОТКАЗЕ ОТ ГАРАНТИЙНЫХ ОБЯЗАТЕЛЬСТВ, НО И МОГУТ ПОСЛУЖИТЬ ПРИЧИНОЙ ПОВРЕЖДЕНИЙ И СЕРЬЕЗНЫХ УВЕЧИЙ.**

ҚҰРАЛДЫҢ СИПАТТАМАСЫ

Үлгі	ЕНК-130G
Номиналды қуаттылық [Вт]	130
Кернеу ~ Жиілік [В ~ Гц]	230 ~ 50
Қыздыру уақыты [мин]	1 - 2
Жұмыс температурасы (әртүрлі режимде) [°C]	1) 100; 2) 160; 3) 230; 4) 360; 5) 450
Кесу тереңдігі [мм]	95 - 138
Пышақ ұзындығы [мм]	140
Пышақ ені [мм]	20
Салмақ [кг]	0.6
Қорғаныс класы	II

ҚОСАЛҚЫ БӨЛШЕКТЕРДІҢ ТІЗБЕСІ

1. «Қосу» / «Өшіру» ауыстырып қосқышы
2. Таңдағыш тұтқа
3. Кескіш жиек
4. Қиынды себеті
5. Шертілмелі винт
6. Тұтқа
7. Жарық диоды

ҚОРАПТЫҢ ІШІНДЕГІСІ

Нұсқаулық (1 дана), қиынды себеті (1 дана).

ҚОЛДАНЫЛУЫ

Бұл құрал пластмасса, көбік, көбікпласт сияқты материалдарды термиялық жолмен кесуге арналған.

ҚОЛДАНУ КЕЗІНДЕГІ ТЕХНИКАЛЫҚ КАУІПСІЗДІК

Қауіпсіздіктің жалпы ережелері

Қауіпсіздік техникасы бойынша келесі нұсқаулықтар құралды дұрыс қолдануға және дербес қауіпсіздікті қамтамасыз етуге көмектеседі. Сондықтан оларды мұқият оқып шығыңыз.

Аталмыш құралды үшінші тұлғаға беру барысында қауіпсіздік техникасы жөніндегі осы нұсқаулықты да бірге беру керек.

Осы нұсқаулықты және жеткізілетін кешен құрамына кіретін басқа да әдебиеттерді сақтап қойыңыз.

Қауіпсіздік техникасын және құралда көрсетілген қауіпсіздік ережелерін сақтаңыз.

Жұмысты бастамас бұрын құралдың басқару бөлшектерімен танысыңыз, бірақ ең алдымен жедел тоқтату амалдарымен танысыңыз.

Аталған қарапайым ережелерді сақтау сіздің құралыңыздың үнемі жұмысқа жарамдылығын

қамтамасыз етуге мүмкіндік береді.

- Пайдалану алдында құралды дұрыс жинақтау қажет.
- Құралды тек мақсаты бойынша ғана пайдаланыңыз.
- Сонымен қатар, құралда қорғаныш жабдықтарды пайдалану жөніндегі ескерту жазбалары мен сілтемелері болуы мүмкін, оларды да оқып шығу қажет. Сақтық, тәжірибелілік, ойластырылғандық, жұмысқа тиісті қатынас және құралды қолдану, тасымалдау, қызмет көрсету және сақтауға қатынасын тұлғалардың тиісті дайындығы келеңсіз оқиғалардың алдын алуға көмектеседі.
- Құралды қараусыз қалдырмаңыз.
- Құралды балалардың пайдалануына жол бермеңіз. Балалардың құралман ойнауына жол бермеңіз.
- Жұмыс алаңына жақын жерде балалардың және жануарлардың болуына жол бермеңіз. Бөгде адамдар жұмыс істеп тұрған құралдан қауіпсіз қашықтықта болуы керек.
- Құралмен жұмыс жасау барысында пайдаланушы үшінші тұлғалар үшін жауапкершілік тартпайды.
- Қолдану жөніндегі осы нұсқаулықпен таныспаған тұлғалар, құралды пайдалануға болатын жасқа жетпеген, көмелеттік жасқа толмаған балалар, сондай-ақ ішімдікке немесе есірткіге мас күйдегі тұлғалар, медициналық дәрмек әсеріндегі адамдар құралмен жұмыс жасауға рұқсат ала алмайды. Оператордың жасы жергілікті нормативтік актілермен тағайындалады.



АБАЙЛАҢЫЗ! Алкоголь, кейбір дәрілік препараттар және есірткілік заттар, сондай-ақ ыстық көтерілу және қалжырау сияқты денсаулық күйлері реакция жылдамдығын төмендетеді. Аталмыш құралды жоғарыда аталған жағдайларда пайдаланбаңыз.

- Барлық қорғаушы жабдықтардың (егер болса) дұрыс орнатылғандығына және олардың жұмысқа жарамды екендігіне көз жеткізіңіз.
- Құралды қорғаушы жабдықтарсыз пайдаланбаңыз (егер болса), немесе ол зақымданған болса пайдаланбаған абзал.
- Құралдың бекітілмей қалған бөлшектерін (сақиналар, болттар, бұрамалар және т. б.) немесе ақауларын тексеріңіз. Құрал жұмысының қауіпсіздігін қамтамасыз ету үшін болттар мен бұрандалардың (егер болса) жақсы бұралғандығын әлсін-әлсін тексеріп отырыңыз. Қажет болса құралды пайдалану алдында зақымданған не ақаулы бөлшектерді жөндеңіз немесе алмастырыңыз. Ақаулы құралды пайдалану кезінде операторға немесе маңайдағы бөгде тұлғаларға ауыр жарақаттар салынуы мүмкін.
- Жұмыс үшін арнайы киімді пайдаланыңыз. Кең киім, әшекейлер, әшекей бұйымдары құралдың қозғалмалы бөліктеріне ілініп қалуы мүмкін. Сәйкес келетін арнайы киімдер киіңіз. Ұшатын қалдық заттардан аяғыңыз бен табаныңызды қорғаңыз. Жалаң аяқ немесе үсті ашық аяқ киім киіп жұмыс істемеңіз. Ұзын шашты артыңызға жинаңыз.
- Тұтқалар мен тұтқыштарды таза және құрғақ етіп ұстаңыз.
- Сәйкес келетін қорғаушы жабдықтарды пайдаланыңыз. Қорғаушы көзәйнектер мен саусаққаптарды қолданыңыз. Ұнтақтармен немесе шығарылатын газ ортасында жұмыс жасау барысында шаңға қарсы респираторды пайдаланыңыз. Қажет болған жағдайда табаны сырғанамайтын аяқ киім, дулыға немесе құлаққа арналған тығындарды қолданыңыз. Егер шу деңгейі 85 дБ(А) артық болса, міндетті түрде қорғаушы құлаққаптарды пайдаланыңыз.



АБАЙЛАҢЫЗ! Жеке бас қорғаныс құралдарын пайдаланыңыз! Қорғаушы жабдықтар мен ЖҚҚ сіздің денсаулығыңыз бен маңайыңыздағылардың денсаулығының қорғанысын қамтамасыз етеді, сондай-ақ құралдың үзіліссіз жұмысына кепілдік береді.

- Құрал кері бұрылған болса немесе жұмысқа жарамсыз күйде болса, оны іске қоспаңыз.
- Жұмыс барысында тұрақты қалыпты сақтаңыз. Үнемі тепе-теңдікті сақтаңыз.
- Жұмыс алаңында тазалықты сақтаңыз. Қоршалған алаңдарда жарақаттану қаупінің жоғары деңгейі байқалады. Құралды пайдаланбас бұрын жұмыс алаңынан барлық бөгде заттарды алып тастаңыз, жұмыс барысында құралдың астына бөгде заттардың түсуіне жол бермеңіз.
- Құралды шамадан тыс қыздырмаңыз.
- Құралды күндізгі жарықта немесе жақсы жасанды желдету кезінде пайдаланыңыз. Құралды нашар көріну жағдайында пайдаланбаңыз.
- Құралды құлатпаңыз, құралдың қандай да бір кедергілермен қақтығысуына жол бермеңіз.

АБАЙ БОЛЫҢЫЗ! Абай болыңыз. Жұмыс барысын бақылап отырыңыз. Алаңдай отырып, құралды басқаруды жоғалтып алу мүмкін. Жұмысқа дайындықпен кірісіңіз.

Электрлік қауіпсіздік ережелері

НАЗАР АУДАРЫҢЫЗ! Электр құралдарын қолдану барысында электр тоғының соққысын болдырмау және жеке бастың жарақаттану оқиғасына жол бермеу мақсатында техникалық қауіпсіздік бойынша мынадай ережелерді сақтау керек. Құралды қолданар алдында осы нұсқаулықтарды оқып шығыңыз және мұқият қадағалаңыз.

- Қауіптілік деңгейін жоғарылату үшін 30 мА-дан аспайтын сөну тоғына есептелген шегермелі қорғаныс құрылғысын (RCD) пайдалану ұсынылады. Өрбір пайдаланған кезде RCD тексеріңіз. Білікті электршіге жүгініңіз.



НАЗАР АУДАРЫҢЫЗ! RCD немесе басқа ажыратқышты пайдалану құралдың операторын осы нұсқаулықта көрсетілген жұмыс амалдары ережелері мен қауіпсіздік техникасы талаптарымен танысу міндетінен босатпайды.

- Желідегі кернеу жазба белгіде немесе нұсқаулықта көрсетілген шамаға сәйкес болуы керек. Басқа қоректендіру көздерін пайдаланбаңыз.
- Құралды желіге қосу алдында розетканың құралдың жазба белгісінде көрсетілген мәліметтеріне сай келетіндігіне көз жеткізіңіз.
- Дененің жайсыздандырылған заттармен (құбырлар, радиаторлар, батареялар және рефрижераторлар) жанасуынан сақтаныңыз. Дененің мұндай заттарға жанасуы кезінде электрлік тоқ соққысына шалдығу қаупі артады.



АБАЙ БОЛЫҢЫЗ! Күюден немесе тоқ соққысынан сақтану үшін электр өткізгіш бөлшектерге жанаспаңыз.

- Құралдың орнын алмастыру барысында кабельден тартпаңыз.
- Тоқсымды абайлап қолданыңыз. Тоқсымды жылудың әсерінен сақтанңыз, оның майлаушы заттармен байланысына жол бермеңіз, сондай-ақ өткір немесе жылжымалы заттармен жанастырмауға тырысыңыз.
- Тоқсыммен абай болыңыз.
- Құралды тез тұтанатын сұйықтықтарға және газдарға жақын жерде пайдаланбаңыз.
- Құралды басқа жерге ауыстырмас бұрын оны желіден ажыратыңыз.



АБАЙ БОЛЫҢЫЗ! Алдымен құралды сөндіру керек, содан соң розеткадан немесе ұзартқыштан ажыратқан абзал.

- Құрал жұмыс істеп тұрғанда ұзартқышты қыспаңыз. Кабельді бақылап отырыңыз.
- Ұзартқышты құралға өз бетіңізбен тікелей қоспаңыз. Ең жақын жердегі ресми қызмет көрсету орталығына жүгініңіз.
- Тоқсым зақымдалған жағдайда қауіптілік тудырмау үшін оны дайындаушы немесе оның агенті, не болмаса ұқсас білікті мамандар алмастыру керек.
- Егер кабель зақымдалған немесе кесіліп кеткен болса, онда айырды тез арада ашадан алып шығыңыз.



НАЗАР АУДАРЫҢЫЗ! ЭЛЕКТРЛІК ТОҚ СОҚҚЫСЫНА ШАЛДЫҒУ ҚАУІПІ БАР!

Өндірістік ортаны бақылап отырыңыз. Электрлік құралдарды жауын астында пайдаланбаңыз. Электрлік құралдарды ылғалды және дымқыл жайларда пайдаланбаңыз. Жұмыс орнын құрғақ ұстаңыз, жарықтандырудың жақсы болуын қамтамасыз етіңіз. Құралды ылғалдан сақтаңыз. Құралды ашық кеңістікте түнде қалдырмаңыз. Құралға суды тиіп кетсе, электрлік тоқ соққысына шалдығу қаупі артады.

- Үнемі және әр қолданыс алдында құрал кабелінің жарамдылығы мен тозу белгісінің болуын тексеріп отырыңыз. Кабелі зақымданған құралды пайдаланбаңыз; ресми қызмет көрсету орталығына жүгініңіз.
- Ғимараттардан тыс жұмыс барысында сәйкес маркалы арнайы ұзартқыштарды ғана пайдаланыңыз. Кабельдің құралдың астына түсуіне жол бермеңіз, оны ылғалдан, жылудың әсерінен сақтаңыз, жақпамайлық заттармен және тез тұтанатын сұйықтықтармен байланысуына жол бермеңіз.
- Құралдың өздігінен қосылуынан сақтаныңыз. Құралды желіге қосар алдында ажыратқыштың «off» (сөнд.) қалпында екендігіне көз жеткізіңіз.
- Құралды іске қосу алдында ондағы барлық кілттер мен орнату бөлшектерін алып тастаңыз.
- Жарамсыз ажыратқышы бар құралды пайдаланбаңыз. Ажыратқышы жарамсыз құрал қауіпті және жөндеуді талап етеді.



НАЗАР АУДАРЫҢЫЗ! Аспапты пайдаланған кезде құрамында ісік ауруын тудыратын химиялық заттар бар шаң қалыптасады.

Осындай химиялық заттарға мыналар жатады: қорғасынды өктеуіштер құрамындағы қорғасын, кірпіш пен цементтің құрамына кіретін кварц, химиялық реагенттермен өңделген араланушы материалдар құрамындағы күшпен және хром, басқа да зиянды заттар. Аталған химиялық заттардың әсер ету қаупі олармен жұмыс жасау жиілігіне байланысты.

Олардың зиянды әсерін төмендету үшін жақсы желдетілетін жерде жұмыс істеңіз және қолдану үшін бекітілген ЖҚҚ, мысалы, микроскопиялық бөлшектерді сүзуге арналған шаңға қарсы респираторларды пайдаланыңыз.



- Құралдың астына бөгде заттар түскен жағдайда құралдың ақаусыз екендігін тексеріңіз және қажетті жөндеу жұмыстарын жүзеге асырыңыз.
- Шамадан тыс діріл пайда болса жедел арада қозғалтқышты сөндіріңіз және себебін анықтаңыз. Діріл ақаудың белгісі болып табылады.
- Жұмыс орнынан кетпес бұрын, құралды жөндеу, тексеру немесе тазарту алдында оны сөндіріңіз және толығымен тоқтағанша күте тұрыңыз.
- Құралдың ішкі бөлшектерін алып тастауға немесе өзгертуге тыйым салынады.

Қауіпсіздік техникасы бойынша ерекше ережелер

- Құралды розеткаға қоспай тұрып ауыстырып қосқыштың «0» күйінде, ал құралдың толық ажыратылып тұрғанын тексеріп алыңыз.
- Құрал жұмыс істеп тұрғанда бу шығуы мүмкін, сондықтан бет қалқанын, биялайды, қорғағыш көзілдірік кию керек.
- Құралды ажыратқаннан кейін оның кесетін жиегінен шығатын жылу бірнеше минут бойы шашырап тұрады, сондықтан абай болу керек.
- Кескіш жиекті суға салып суытуға болмайды.
- Құрал су шашыраудан және арынынан қорғалмаған.
- Қызып тұрған жерлерге саусақ, қол, дене, киімді тигізуге болмайды.
- Жұмыс істейтін аймақ жақсы желдетілетін болуы керек.
- Құралды қосу барысында және қосқаннан кейін оны басқа объектілерге тигізбеңіз.
- Құрал жұмысы ұзақ болған кезде арақідік үзіліс жасап тұру керек.
- Тек пайдалануға жарамды және зақымданбаған кескіш жиектерді ғана қолдануға рұқсат етіледі.
- Дұрыс пайдаланбау салдарынан өрт шығуы мүмкін.
- Құралды жанғыш беттердің үстіне қоюға болмайды.
- Құралды пайдаланып болған соң шетке алып қоймас бұрын, оны толық суытып алу керек.

ҚОРАПСЫЗДАНДЫРУ

Қаптан алу кезінде барлық бөлшектердің түгел екендігіне көз жеткізіңіз. Соңғы беттегі жинақтау сызбасын қараңыз. Қандай да болмасын бөлшектер бомаған жағдайда немесе ақаулы болған жағдайда IVT қызмет көрсету орталығына жүгініңіз.

ҚОЛДАНУДЫ БАСТАУ

Қоректендіргіш кернеуінің мәні құралдың құжаттық мәліметтерінде көрсетілген төлқұжаттық деректерге сай болу керек.

ҚОСУ / СӨНДІРУ

Қосу

(3) Кескішті қыздыру үшін (1) «Қосу» / «Ажырату» ауыстырып қосқышын басып ұстап тұру керек.

Сөндіру

Ажырату үшін (1) «Қосу» / «Ажырату» ауыстырып қосқышын босату керек.

ПАЙДАЛАНУ ЖӨНІНДЕГІ НҰСҚАУЛЫҚ [F1]



НАЗАР АУДАРЫҢЫЗ! Өлшеуіш қапсырмасы (4) дұрыс орнатылмаған құралды пайдалануға рұқсат етілмейді. Өлшеуіш қапсырманы кесікке қиылатын жағымен орнату керек. Ауыр жарақат алу мен күйік шалу қаупі.

1. Ашаны электр энергиясының тиісті кезіне қосу керек.
2. Таңдағыш (2) көмегімен қажетті температураны орнату керек.
3. (3) Кескішті қыздыру үшін (1) «Қосу» / «Өшіру» ажыратып қосқышын басып тұру керек; (3) кескіш бір минуттан кейін жұмыс істейтін температураға дейін қызып, оны ұстап тұрады. Жұмыс кезіне жарық диоды жанатын болады.
4. (3) Кескіш қызып алғаннан кейін оның жүзін түзу кесу үшін немесе қапталды кеңінен ою үшін қолдануға болады.
5. (1) «Қосу» / «Өшіру» ауыстырып қосқышын босатқан соң, оның (3) жүзі біртіндеп суиды. Құралды өшіріп, оның ашасын розеткадан суыру керек.



НАЗАР АУДАРЫҢЫЗ! Құралды ажыратқаннан кейін оның (3) кесетін жиегінен шығатын жылу бірнеше минут бойы шашырап тұрады, сондықтан абай болу керек.

Кесу тереңдігін реттеу

Кесу тереңдігін (4) өлшеуіш қапсырмамен орнатуға болады. Ол үшін 2 (5) бекіткіш винтті босату керек. (4) Өлшеуіш қапсырманы қажетті шамаға дейін шығару керек. (5) Винттерді қайта қатайту керек.

ҚЫЗМЕТ КӨРСЕТУ ЖӘНЕ САҚТАУ



АБАЙ БОЛЫҢЫЗ! Құралмен жұмысты бастау алдында желілік ашаны алып тасатыңыз.

- Құралды және желдеткіш саңылауларын (егер болса) тазалықта ұстаңыз. Үнемі тазарту және қызмет көрсету құралдың жоғары тиімділігін және ұзақ уақыт қолданылуын кепілдейді.
- Өндіріс пен сынаудың мінсіз шарттарына қарамастан, істен шыққан жағдайда, жөндеу жұмыстары IVT ресми орталықтарында жүргізілуі керек.
- Барлық сақиналар, болттар және бұрамалар мұқият бұралуы керек.
- Ақауланған немесе тозған бөлшектерді алмастырыңыз.
- Тек түпнұсқалық қосалқы бөлшектерді ғана пайдаланыңыз. Басқа тараптық өндіруші дайындаған бөлшектер нақты сай болмайды және жарақаттану қаупін жоғарылатады.
- Құралды құрғақ әрі балалардың қолы жетпейтін жерде, тез тұтанатын материалдардан қауіпсіз қашықтықта сақтаңыз.
- Құралға су тигізбеңіз!

ҚОРШАҒАН ОРТАНЫ ҚОРҒАУ




Қалдықты болдырмау мақсатында шикізатты қайта қолдану!

Құралды, қосымша жабдықтарды және қаптаманы экологиялық таза жолмен қайта өңдеуге жіберу керек.

Пластикалық бөлшектер классификациялық қайта өңдеуге жіберіледі.

Осы нұсқаулықтар хлор пайдаланбай дайындалған екінші өңделім қағазына басылған.



 **IVT SWISS SA China Office:** TMC Machinery Co., Ltd | No. 58-9 Suyuan Avenue, Jiangning, Nanjing, 211102 - People's Republic of China | tel.: +86 (0) 25 84910500 | **ҚР аумағында сапа бойынша наразылықтарды қабылдайтын ұйым:** «Костанай DWT/ДВТ» ЖШС | Қостанай қ. Целинная көш., 4 - Қазақстан Республикасы | тел (7142) 28 07 00, -01 | **Организация, принимающая претензии на территории РК:** ТОО «Костанай DWT/ДВТ» | г. Костанай, ул. Целинная, 4 - Республика Казахстан | тел (7142) 28 07 00, -01



НАЗАР АУДАРЫҢЫЗ! БҰЙЫМҒА ӨЗ БЕТІҢІЗБЕН ЖӨНДЕУ ЖҮРГІЗІП, ОНЫҢ ІЗДЕРІН ЖАСЫРУҒА ТЫРЫСУҒА МҮЛДЕМ БОЛМАЙДЫ! Тек қана авторлық құқығы бар қызмет көрсету орталығының жөндеу жүргізуге және қамтылған техникалық қызмет көрсетуге құқығы бар. Бұйымның ішкі құрылымына өзгерістер енгізуге тыйым салынады! МҮНДАЙ ӘРЕКЕТТЕР КЕПІЛДІК МІНДЕТТЕМЕЛЕРДЕН БАС ТАРТУҒА НЕГІЗ БОЛЫП ҚАНА ҚОЙМАЙ, СОНЫМЕН ҚАТАР ҚАУІПТІ ЖАРАҚАТ АЛУҒА ЖӘНЕ ЗИЯН КЕЛТІРУГЕ СЕБЕПШІ БОЛУЫ МҮМКІН.

SPECIFICHE TECNICHE

Modello	EHK-130G
Potenza nominale [W]	130
Voltaggio ~ Frequenza [V ~ Hz]	230 ~ 50
Tempo di riscaldamento [min]	1 - 2
Temperatura di utilizzo (nelle diverse impostazioni) [°C]	1) 100; 2) 160; 3) 230; 4) 360; 5) 450
Profondità di taglio [mm]	95 - 138
Lunghezza della lama [mm]	140
Altezza della lama [mm]	20
Peso [Kg]	0.6
Classe di sicurezza	II

IT

COMPONENTI

1. Interruttore di accensione / spegnimento
2. Manopola di selezione
3. Lama
4. Staffa
5. Viti di fissaggio
6. Impugnatura
7. Led

CONTENUTO DELLA CONFEZIONE

Manuale di istruzioni (1 pz), staffa (1 pz).

UTILIZZO

Questo strumento è progettato per il taglio a caldo di prodotti in plastica, schiuma o spugna.

NORME DI SICUREZZA PER L'USO

Regole generali di sicurezza

Le seguenti istruzioni di sicurezza servono per il corretto utilizzo dello strumento e per la tutela della propria sicurezza, pertanto si prega di leggere molto attentamente.

Quando si passa questo strumento ad una terza persona, anche queste istruzioni devono essere consegnate.

Conservare questo manuale di istruzioni e tutta la documentazione in dotazione con lo strumento per farvi riferimento in futuro, in caso di bisogno.

Integrare le seguenti norme di sicurezza con le indicazioni riportate sul prodotto.

Prendere confidenza con tutti i pulsanti e i controlli e assicurarsi di conoscere il corretto utilizzo dello strumento prima di iniziare a utilizzarlo, ma soprattutto assicurarsi di sapere come interromperne l'uso in caso di emergenza.

Seguire queste semplici istruzioni contribuirà inoltre a mantenere lo strumento in buone condizioni di lavoro.

- Lo strumento deve essere montato correttamente prima dell'uso.

- Usare lo strumento solamente per gli scopi per cui è stato progettato.

- In aggiunta al prodotto sono state progettate anche delle etichette di sicurezza che devono essere prese in considerazione assieme con le indicazioni in merito all'equipaggiamento di sicurezza che deve essere adottato. La prevenzione di incidenti dipende dalla consapevolezza, dal buon senso e dalla formazione adeguata di tutti i soggetti coinvolti nell'utilizzo, nel trasporto, nella manutenzione e stoccaggio dello strumento.

- Non lasciare mai lo strumento incustodito.

- Non permettere ai bambini di utilizzare lo strumento. I bambini devono essere tenuti sempre sotto controllo per impedire che giochino con lo strumento.

- Tenere i bambini e gli animali domestici lontano. I terzi devono essere mantenuti a un'opportuna distanza di sicurezza quando lo strumento è in uso. Interromperne l'utilizzo se vi sono nei paraggi altre persone, specialmente bambini o animali domestici.

- L'utente è responsabile per i terzi, mentre lavora con lo strumento.

- Le persone che non conoscono le istruzioni per l'uso, i bambini, i minori che non hanno ancora raggiunto l'età minima per l'utilizzo di questo strumento e le persone sotto l'influenza di alcool, droghe o farmaci non sono autorizzati ad utilizzare lo strumento. Alcune normative locali possono stabilire l'età minima dell'utilizzatore.



ATTENZIONE! Il consumo di alcool, farmaci e droghe, oltre a stati di malattia, febbre e stanchezza possono influenzare la capacità di reagire. Non usare lo strumento in una o più di queste condizioni.

- Assicurarsi che tutti i dispositivi di protezione (se presenti) siano montati correttamente e che siano in buone condizioni.
- Non usare mai lo strumento con i dispositivi di sicurezza o eventuali protezioni (se presenti) difettosi o senza dispositivi di sicurezza correttamente montati.
- Ispezionare bene lo strumento per cercare parti eventualmente allentate (per esempio: dadi, bulloni, viti, etc) e eventuali danni. Controllare a intervalli frequenti, che viti e bulloni siano adeguatamente serrati e che le attrezzature siano in buone condizioni di lavoro. Ripararle o sostituirle, se necessario, prima di utilizzare lo strumento. Gravi lesioni all'operatore e ai presenti possono verificarsi se vi è un danno allo strumento.
- Durante il funzionamento dello strumento, vestirsi adeguatamente. Non indossare abiti larghi o gioielli che potrebbero impigliarsi nello strumento. Indossare indumenti da lavoro adatti. Si raccomanda che le gambe e i piedi siano ben coperti, al riparo da eventuali schegge durante il lavoro. Non utilizzare lo strumento se si è a piedi nudi o con sandali aperti. I capelli lunghi devono essere raccolti dietro la nuca.
- Mantenere tutte le impugnature e i manici asciutti, puliti e privi di olio o grasso.
- Usare dispositivi di protezione. Usare occhiali di protezione e guanti di sicurezza. Indossare anche una mascherina antipolvere durante le operazioni polverulente e se sono presenti gas di scarico. Quando è necessario, indossare anche scarpe robuste e antiscivolo, casco e tappi per le orecchie. Se il livello di rumore supera 85 dB (A), è obbligatoria una protezione acustica.



ATTENZIONE! Utilizzare dispositivi di protezione personale! I dispositivi di sicurezza e le attrezzature di protezione personale proteggono la propria salute e la salute degli altri e garantiscono un funzionamento senza problemi dello strumento.

- Non iniziare ad utilizzare lo strumento se questo è capovolto o non è nella corretta posizione di lavoro.
- Accertarsi di avere una corretta posizione mentre si opera con lo strumento. Mantenere una posizione salda e un buon equilibrio in ogni momento.

- Tenere pulita l'area di lavoro. Prima dell'uso dello strumento, tutti gli eventuali ostacoli devono essere rimossi dalla zona di lavoro; prestare attenzione anche a eventuali corpi estranei durante il lavoro.
- Non forzare lo strumento.
- Lavorare solo alla luce del giorno o comunque in condizioni di sufficiente illuminazione artificiale. Non utilizzare mai lo strumento senza una buona visibilità.
- Fare attenzione a non fare cadere lo strumento o ad urtarlo contro ostacoli.

ATTENZIONE! Mantenere sempre un'attenzione costante. Prestare attenzione a quello che si sta facendo. La distrazione può causare la perdita di controllo. Utilizzare il buon senso.

Regole di sicurezza elettriche

ATTENZIONE! Quando si usano utensili elettrici, si devono osservare le seguenti istruzioni di sicurezza per evitare il rischio di scosse elettriche, lesioni personali e incendio. Leggere e osservare attentamente tali istruzioni prima di utilizzare lo strumento.

- Per una maggiore sicurezza, si raccomanda di usare un dispositivo di protezione dalla corrente residua (RCD) con una corrente di apertura non superiore ai 30 mA. Controllare sempre tale dispositivo ogni volta che si usa la macchina. Consultare un elettricista affidabile.



ATTENZIONE! L'uso di un RCD o di un salvavita nel cablaggio non dispensa l'utente dal considerare le seguenti istruzioni di sicurezza e seguire indicazioni di lavoro sicure illustrate in questo manuale.

- Il valore di tensione della corrente deve corrispondere a quello descritto sulla targhetta dei dati tecnici. Non usare altri voltaggi. La connessione del dispositivo a qualsiasi altra fonte di energia può causare danni.
- Prima di inserire la spina nella presa della corrente, assicurarsi che il voltaggio sia corretto e corrisponda a quello riportato sulla targhetta dell'apparecchio.
- Evitare il contatto del corpo con eventuali oggetti a terra, come tubi, radiatori, fornelli e frigoriferi. C'è un aumento del rischio di scosse elettriche se il corpo è messo a terra.



ATTENZIONE! Toccare le parti elettrificate può causare morte per scosse elettriche o bruciate.

- Non spostare mai l'apparecchio tirandolo per il cavo.
- Non tirare il cavo elettrico. Tenerlo lontano da fonti di calore, olio, spigoli vivi o parti in movimento.
- Guidare i cavi elettrici sempre in modo sicuro.
- Non utilizzare utensili elettrici vicino a liquidi o a gas infiammabili.
- Scollegare sempre l'apparecchio dalla rete elettrica prima di trasportarlo in altri luoghi.



ATTENZIONE! L'apparecchio deve sempre essere staccato dalla corrente prima di scollegare qualsiasi connettore ad innesto o prolunga.

- Non passare l'apparecchio sopra al cavo elettrico mentre lo strumento è in funzione. Assicurarsi di sapere sempre dove si trova il cavo.
- Non collegare da sé un cavo di alimentazione direttamente al dispositivo. Portarlo presso il punto di assistenza più vicino.
- Per evitare qualsiasi rischio, in caso di danneggiamento, il cavo di alimentazione dovrebbe essere sostituito dal produttore o da un suo agente, o comunque da personale qualificato.
- Staccare immediatamente la spina dalla presa di corrente se il cavo è danneggiato o tagliato.



ATTENZIONE! PERICOLO DI SCOSSA ELETTRICA!

Esaminare sempre l'ambiente di lavoro. Non esporre i dispositivi elettrici alla pioggia. Non utilizzare gli elettrotensili in luoghi umidi o bagnati. Mantenere l'area di lavoro ben illuminata ed asciutta. Evitare che il dispositivo si bagni o venga esposto all'umidità. Non lasciarlo fuori la notte. Se entra acqua in un apparecchio elettrico vi è un aumento del rischio di scosse elettriche.

- Il cavo di alimentazione deve essere controllato periodicamente e, prima di ogni utilizzo, assicurarsi che non sia danneggiato o usurato. Se il cavo non è in buone condizioni, non utilizzare l'apparecchio; portarlo in un centro di assistenza autorizzato.
- Quando lo strumento viene impiegato all'aperto, utilizzare esclusivamente un cavo di prolunga per esterni,

marchiato per questo uso specifico. Tenerlo lontano dalla zona di lavoro, da umidità, superfici bagnate o oleose e lontano da fonti di calore e combustibili.

- Evitare qualsiasi avviamento involontario del dispositivo: accertarsi che l'interruttore di accensione sia spento prima di collegare lo strumento alla corrente.
- Rimuovere eventuali chiavi di regolazione prima di accendere lo strumento.
- Non utilizzare lo strumento se l'interruttore di accensione/spengimento è difettoso o non funziona correttamente. Qualsiasi strumento che non può essere controllato tramite il suo interruttore è pericoloso e deve essere riparato.



ATTENZIONE! Durante l'utilizzo dello strumento, potrebbero essere prodotte alcune polveri contenenti sostanze chimiche che possono causare il cancro, difetti genetici e altri problemi riproduttivi.

Alcune di queste sostanze chimiche sono: vernici a base di piombo, silice cristallina di mattoni e cemento e altri prodotti per muratura, arsenico e cromo derivanti da legname trattato chimicamente e altri prodotti pericolosi. Se tali polveri sono presenti, il rischio varia in base alla lunghezza dell'esposizione e al tipo di lavoro.

Per ridurre l'esposizione a tali sostanze chimiche, ogni volta che si compiono operazioni polverulente, lavorare in una zona ben ventilata con dispositivi di sicurezza approvati, come le maschere anti-polvere, che sono state appositamente progettate per filtrare anche le particelle microscopiche.

- Se con lo strumento si colpisce un corpo estraneo, esaminare il dispositivo per individuare eventuali danni e procedere con tutte le riparazioni necessarie prima di riavviare e continuare a lavorare.
- Se lo strumento inizia a vibrare in modo anomalo, spegnerlo e cercare di individuare immediatamente la causa. Vibrazioni anomale sono dovute generalmente a malfunzionamenti.
- Spegnerlo sempre il dispositivo e aspettare che esso si sia fermato completamente quando lo si lascia incustodito, prima di fare manutenzione, prima di controllarlo e pulirlo.
- È proibito modificare o rimuovere qualsiasi parte interna del dispositivo.

Regole di sicurezza specifiche

- Quando si inserisce la spina nella presa assicurarsi che l'interruttore si trovi in posizione "0" e che il motore della pistola sia completamente fermo.
- Mentre lo strumento è in funzione potrebbero generarsi dei vapori intensi. Indossare pertanto una



adeguata mascherina protettiva. Indossare sempre anche guanti e occhiali protettivi.

- Non raffreddare lo strumento in acqua.
- Non spruzzare o versare acqua sullo strumento.
- Tenere sempre le dita, le mani, il corpo e gli abiti lontano dalle parti calde dello strumento.
- Assicurarci che l'area di lavoro sia sempre ben ventilata.
- Durante l'uso e per un breve periodo dopo l'uso, lo strumento non deve toccare altri oggetti eccetto quelli ad esso destinati.
- Utilizzare solo lame intatte ed in perfette condizioni.
- Un uso scorretto dell'utensile può provocare incendi.
- Non appoggiare lo strumento su una superficie infiammabile. Utilizzare e appoggiare questo strumento solo su una superficie di lavoro ignifuga.
- Lasciare raffreddare completamente l'utensile prima di riportarlo dopo l'uso.

2. Premere e tenere premuto l'interruttore di accensione / spegnimento (1) per riscaldare la lama (3); la lama (3) raggiunge la temperatura di esercizio in circa un minuto e rimarrà alla temperatura selezionata. Il led si illumina durante il funzionamento.

3. Quando la lama (3) ha raggiunto la temperatura, è possibile utilizzare il bordo tagliente della lama (3) per il taglio di linea o utilizzare il lato della lama (3) per un ampio taglio a scanalatura.

4. Quando la pressione sull'interruttore di accensione / spegnimento (1) viene rilasciata, la lama (3) si raffredderà gradualmente. Spegnerlo lo strumento e staccare la spina dalla presa di corrente.



ATTENZIONE! Il calore residuo sulla lama (3) richiede alcuni minuti per dissiparsi. Prestare attenzione mentre la lama (3) è ancora calda.

ESTRARRE DALL'IMBALLAGGIO

Quando si apre la confezione, assicurarsi che tutti i componenti siano inclusi. Consultare le istruzioni su questo manuale. Per eventuali parti mancanti o danneggiate, si prega di contattare l'assistenza IVT.

Regolazione della profondità di taglio

La profondità di taglio dell'utensile può essere regolata usando la staffa (4). Per regolare la profondità, allentare le due viti di serraggio (5). Estrarre o ritrarre la staffa (4) in base alla profondità di taglio desiderata. Poi serrare le due viti di serraggio (5).

MESSA IN FUNZIONE

Usare sempre la corretta tensione di alimentazione: essa deve coincidere con le specifiche riportate sulla targhetta apposta sul prodotto.

MANUTENZIONE E STOCCAGGIO



ATTENZIONE! Prima di qualsiasi intervento sul dispositivo stesso, togliere la spina dalla corrente.

ACCENSIONE / SPEGNIMENTO

Accensione

Premere e tenere premuto l'interruttore di accensione / spegnimento (1) per riscaldare la lama (3).

Spegnimento

Rilasciare l'interruttore di accensione / spegnimento (1) per spegnere lo strumento.

• Tenere sempre lo strumento e le fessure di ventilazione (se presenti) pulite. La regolare pulizia e manutenzione dello strumento ne garantiscono l'efficienza e ne prolungano la vita.

• Se lo strumento non dovesse funzionare, nonostante le rigorose procedure di collaudo, la riparazione deve essere effettuata da un servizio IVT autorizzato.

• Tenere tutti i dadi, bulloni e viti ben serrati, per essere sicuri che lo strumento sia in buone condizioni operative.

• Sostituire tutte le parti usurate o danneggiate per sicurezza.

• Utilizzare esclusivamente ricambi originali. L'uso di parti di ricambio non originali o non autorizzate dal produttore potrebbero causare scarse prestazioni o lesioni personali.

• Conservare lo strumento in un ambiente asciutto, fuori dalla portata dei bambini e lontano da materiali infiammabili.

• Non bagnare mai il dispositivo, né spruzzare acqua su di esso!

ISTRUZIONI OPERATIVE [F1]



ATTENZIONE! Non usare lo strumento con la staffa (4) fuori posizione. Posizionare sempre la staffa (4) in modo che sia in battuta contro il pezzo da tagliare. Potrebbero verificarsi gravi lesioni e ustioni.

1. Ruotare la manopola di selezione (2) alla temperatura desiderata.



TUTELA AMBIENTALE



Riciclare le materie prime invece di smaltirle come rifiuti.

Lo strumento, gli accessori e l'imballaggio devono essere ordinati per il riciclaggio ecocompatibile.

I componenti in plastica sono classificati per il riciclaggio categorizzato. Queste istruzioni sono stampate su carta riciclata.

IT



ATTENZIONE! NON TENTARE DI RIPARARE IL PRODOTTO DA SOLI E NON MANOMETTERLO! Qualsiasi operazione di riparazione o di manutenzione straordinaria deve essere eseguita esclusivamente da un Centro di Assistenza IVT qualificato ed autorizzato. Non modificare nessuna componente interna del prodotto! **QUESTO COMPORTAMENTO INVALIDERÀ COMPLETAMENTE LA GARANZIA E POTREBBE CAUSARE INFORTUNI E SERI DANNI MATERIALI.**

CARACTÉRISTIQUES TECHNIQUES DE L'APPAREIL

Modèle	EHK-130G
Puissance nominale [W]	130
Tension ~ Fréquence [V ~ Hz]	230 ~ 50
Temps de chauffe [min]	1 - 2
Température de fonctionnement (en régimes divers) [°C]	1) 100; 2) 160; 3) 230; 4) 360; 5) 450
Profondeur de la coupe [mm]	95 - 138
Longueur du couteau [mm]	140
Largeur du couteau [mm]	20
Poids [Kg]	0.6
Classe de protection	II

LISTE DÉTAILLÉE

1. Commutateur On/Off
2. Manche du sélecteur
3. Arête coupante
4. Panier des chutes
5. Vis encliquetable
6. Manche
7. Diode électroluminescente

CONTENU DE LA BOÎTE

Manuel d'instruction (1 pièce), panier des chutes (1 pièce).

DESTINATION

L'article présent est destiné à réaliser la coupe thermique des matériels comme matière plastique, mousse, mousse plastique aérée.

RÈGLES DE SÉCURITÉ LORS DE L'UTILISATION

Règles générales de sécurité

Les règles de sécurité suivantes permettront d'exploiter l'appareil d'une manière adéquate et assurer votre propre sécurité. Veuillez lire attentivement ces informations.

Si vous prêtez cet appareil à une tierce personne, veuillez lui transmettre ces instructions.

Ce manuel d'utilisation et toute autre documentation joints à cet appareil doivent être conservés en cas de nécessité.

Suivez les recommandations indiquées sur les étiquettes de l'appareil.

Avant d'utiliser l'appareil, lisez attentivement les principes de contrôle de celui-ci et assurez-vous qu'il sera utilisé comme prévu et que vous pourrez le débrancher, le cas échéant.

En outre, le respect de ces règles simples vous permettra de garder l'appareil en bon état.

- Avant de l'utiliser, assurez-vous que l'appareil est correctement assemblé.

- Utilisez l'appareil uniquement pour son usage prévu.

- Vous trouverez sur l'appareil des précautions à prendre ou des symboles indiquant les mesures de précaution. Des accidents peuvent être évités grâce au bon sens, à l'attention et la préparation nécessaire de ceux qui effectuent l'exploitation, transport, maintenance, service technique et stockage de l'appareil.

- Ne laissez pas l'appareil sans surveillance.

- Conserver hors de la portée des enfants. Assurez-vous que les enfants ne joueront pas avec.

- L'appareil doit être inaccessible aux enfants et animaux domestiques. Assurez-vous que tout le monde se trouve à une distance de sécurité lorsque l'appareil est branché.

- N'oubliez pas que lorsque l'instrument est en marche, son utilisateur est responsable de la sécurité des autres.

- L'utilisation de cet appareil est interdite aux personnes n'ayant pas lu ces instructions ; les enfants, les personnes qui n'ont pas atteint l'âge de travailler avec ce type d'appareil ; les personnes sous l'emprise de l'alcool, de drogues ou de médicaments. L'âge des utilisateurs peut être limité par la législation locale.



ATTENTION! La consommation d'alcool, de drogues ou de médicaments, la fièvre ou la fatigue peuvent nuire à votre capacité à réagir. Ne pas utiliser l'appareil dans les états mentionnés ci-dessus.

- Assurez-vous que tous les dispositifs de protection



(le cas échéants) sont installés et en bon état.

- Il est interdit d'utiliser l'appareil comportant des défauts ou sans dispositif de protection ou coffres (si prévus).
- Assurez-vous que l'appareil ne comporte pas d'éléments endommagés ou non alignés (par exemple, vis, écrou, boulon, etc.). Vérifiez régulièrement que tous les vis et écrous soient bien serrés – ce qui garantit la sécurité nécessaire du travail avec l'appareil. Si nécessaire, remplacez ces pièces avant de commencer à travailler. Les défauts de l'appareil peuvent causer des blessures graves à l'utilisateur, ainsi qu'aux autres personnes.
- Portez des vêtements appropriés lorsque vous travaillez avec l'appareil. Ne mettez pas de vêtements trop amples ni de bijoux pouvant s'accrocher aux parties mobiles de l'appareil. Portez des vêtements adéquats pour le travail. Les vêtements et les chaussures doivent entièrement recouvrir les jambes pour les protéger contre d'éventuels fragments tombés. Ne travaillez pas les pieds nus ou en sandales ouvertes. Il est conseillé d'attacher les cheveux longs.
- Les manches et les manchons de l'appareil doivent être propres, secs et sans huile.
- Utilisez les moyens nécessaires de sécurité personnelle. Portez des gants et des lunettes de protection. Si vous travaillez avec les matériaux pulvérulents ou en cas d'apparition de gaz d'échappement, mettez le respirateur. Si nécessaire, utilisez des chaussures à semelle antidérapante, un casque et des oreillettes. Si le niveau sonore dépasse 85 dB(A), il est indispensable d'utiliser des moyens de protection auditifs.



ATTENTION! Utilisez les moyens de protection individuelle ! Les dispositifs de protection et les moyens de protection individuelle préservent votre santé et celle d'autrui, et assurent l'exploitation de l'appareil sans panne.

- N'embrayez pas l'appareil s'il n'est pas sur la bonne position ou pas encore en état d'être utilisé.
- Choisissez une position stable. Surveillez la position des jambes et l'équilibre lors du travail.
- Assurez-vous que l'emplacement de travail est propre. Le désordre et la saleté peuvent causer des dommages. Enlevez tous les objets inutiles de la zone de travail et veillez à ce qu'ils ne s'y trouvent pas lors de l'exploitation de l'appareil.
- Évitez les surcharges de l'appareil.
- Effectuez les travaux uniquement à la lumière du jour ou avec suffisamment d'éclairage artificiel. Il est interdit d'utiliser l'appareil dans des endroits obscurs.
- Soyez vigilant – évitez la chute et les chocs de l'appareil.

ATTENTION! Restez vigilant. Prenez garde à ce que vous faites. Vous risquez de perdre le contrôle si vous êtes inattentif. Faites preuve de bon sens.

Règles de sécurité électrique

AVERTISSEMENT! Si vous respectez les règles de sécurité lorsque vous travaillez avec des appareils électriques, vous évitez tout choc électrique, accident et incendie. Lisez attentivement ces règles avant de commencer à travailler avec l'appareil et respectez-les soigneusement.

- Pour une meilleure sécurité électrique, il est recommandé d'utiliser le disjoncteur à sensibilité différentielle inférieure à 30 mA. Vérifiez le disjoncteur à chaque utilisation. Consulter un électricien digne de confiance.



AVERTISSEMENT! L'utilisation du disjoncteur ou de tout autre dispositif de déclenchement automatique ne dispense pas l'utilisateur de respecter les règles de sécurité et de pratique du travail présentées dans ce manuel d'utilisation.

- La tension du secteur doit correspondre à celle indiquée sur l'étiquette et dans ce manuel d'utilisation. N'utilisez pas d'autres sources d'alimentation.
- Avant de connecter l'appareil à la prise secteur, vérifiez si elle est en bon état et si ses paramètres correspondent à ceux indiqués dans le tableau de l'appareil.
- Lors du fonctionnement de l'appareil, évitez tout contact avec des objets mis à la terre tels que les câbles, radiateurs, cuisinières et réfrigérateurs. Le risque de choc électrique est accru lorsque le corps est mis à la terre.



ATTENTION! Le contact avec des éléments sous tension électrique peut causer un choc électrique, des brûlures voire entraîner la mort.

- Ne débranchez jamais l'appareil en tirant sur le cordon.
- N'abîmez pas le cordon. Conservez le cordon à l'abri de la chaleur, de l'huile, d'objets tranchants et de pièces en mouvement.
- Veillez toujours au bon état du cordon de raccordement.
- N'utilisez pas l'appareil électrique près de liquides inflammables et de gaz.

- Débranchez l'appareil du réseau électrique avant de le transporter dans un autre endroit.



ATTENTION! Débranchez l'appareil du réseau électrique avant de déconnecter la cheville de contact ou la rallonge.

- Ne portez pas l'appareil électrique au-dessus de la rallonge. Soyez vigilant et veillez toujours à savoir où se trouve le cordon.
- Ne raccordez pas vous-même la rallonge à l'appareil. Ramenez-le au Centre de service technique agréé le plus proche.
- A des fins de sécurité, le cordon endommagé doit être remplacé uniquement par le fabricant, son représentant ou une personne qualifiée.
- En cas de dommage ou de cordon sectionné, débranchez tout de suite l'appareil du réseau électrique.



AVERTISSEMENT! RISQUE DE CHOC ELECTRIQUE!

Prenez en considération les conditions de travail. Il est interdit d'embrayer l'appareil sous la pluie. Ne pas l'utiliser dans des conditions défavorables (humidité, eau). Le lieu de travail doit être propre et bien éclairée. N'exposez pas l'appareil à l'humidité. Ne pas le laissez dehors pendant la nuit. La pénétration d'eau dans cet appareil électrique augmente le risque de choc électrique.

- Vérifiez régulièrement que le cordon électrique soit en bon état. Avant de commencer à travailler, vérifiez s'il n'est pas endommagé ou ne présente pas de traces d'usure. Si l'état de la rallonge n'est pas satisfaisant, ne branchez pas l'appareil. Ramenez-le au Centre de service après-vente.
- Pour les travaux à l'extérieur, utilisez la rallonge spécialement conçue à cet effet, comme indiqué sur l'étiquette – pour les travaux à l'extérieur. Lors du fonctionnement de l'appareil, le cordon doit se trouver en dehors de la zone de travail, derrière l'utilisateur. Conservez le cordon à l'abri des surfaces chaudes, huileuses, humides ou des matériaux inflammables.
- Pour éviter tout démarrage accidentel : avant de brancher l'appareil, assurez-vous que son interrupteur (le cas échéant) se trouve en position 'arrêt/off'.
- Retirez les clés de réglage avant de mettre l'appareil en marche.
- N'utilisez pas l'appareil si son interrupteur est en panne (il ne peut embrayer ou débrayer). Tout appareil ayant un interrupteur hors service est dangereux et doit être immédiatement réparé.



AVERTISSEMENT! L'utilisation d'appareils électriques peut provoquer l'apparition de poussière cancérogène.

Voici certaines sources: plomb de peinture en contenant, silice cristalline de brique, de ciment et d'autres matériaux de maçonnerie, arsenic et chrome de bois traité par des produits chimiques. Si de la poussière apparaît lors du travail, le degré de son influence néfaste dépend de la fréquence des travaux effectués.

Afin de diminuer l'influence de ces éléments chimiques sur l'organisme, il est important d'effectuer des travaux avec des matériaux chimiquement purs et de la poussière dans des espaces bien aérés et avec des moyens de protection nécessaires tels que des respirateurs spéciaux pour le travail en présence de microparticules.

- En cas de choc extérieur à l'appareil, avant de redémarrer et continuer le travail, vérifiez bien qu'il ne soit pas endommagé et effectuez les réparations nécessaires, le cas échéant.
- Si l'appareil commence à trop vibrer, arrêtez-le immédiatement et trouvez-en la cause. La vibration annonce très souvent une future défaillance.
- Eteignez l'appareil et attendez l'arrêt total vous devez vous en éloigner, avant d'effectuer des réparations, remplacer des accessoires, toute vérification, nettoyage, résolution de problèmes ou manipulation sur l'appareil.
- Il est interdit de remplacer ou changer toute pièce interne de l'appareil.

Règles particulières de sécurité

- Avant de connecter l'instrument à la prise, il faut s'assurer que le commutateur se trouve dans la position «0», et l'instrument est complètement débranché.
- Lors de fonctionnement de l'instrument, la formation des émanations est possible, c'est pourquoi il est préférable d'employer des écrans faciaux, gants, lunettes de protection.
- Après le débranchement de l'instrument, le chaud de son arête coupante se disperse pendant quelques minutes, ce qui demande de la prudence.
- Il n'est pas admis de refroidir l'arête coupante dans l'eau.
- L'instrument n'est pas protégé contre gouttelettes ni courants d'eau.
- Il faut protéger doigts, mains, corps, vêtements contre l'action des parties brûlants.
- Il faut assurer bonne ventilation de la zone des travaux.
- Pendant le branchement et directement après celui-ci, il faut exclure contacts entre l'instrument et



d'autres objets.

- En cas de besoin d'employer l'instrument longuement, il est recommandable de faire des interruptions.
- Il est admis d'employer seulement les arêtes coupantes en bon état et sans endommagements.
- L'utilisation incorrecte peut causer l'incendie.
- Il est interdit de mettre l'instrument sur surfaces inflammables.
- Avant d'enfermer l'instrument après son utilisation, il faut le refroidir complètement.

DÉBALLAGE

Lors du déballage, vérifiez bien si toutes les pièces et les dispositifs sont inclus. Regardez les dessins techniques présentés dans ce manuel d'utilisation. En cas de dommage ou absence de pièces quelconques, nous vous prions de vous adresser au centre de service après-vente IVT.

COMMENCEMENT DU TRAVAIL

Assurez-vous que la tension correspond aux conditions c'est à dire aux paramètres indiqués dans le tableau des données de la plaque d'identification de l'appareil.

EMBRAYAGE / DÉBRAYAGE

Embrayage

Presser et maintenir pressé le commutateur (1) On/Off pour chauffer le couperet (3).

Débrayage

Libérer le commutateur (1) On/Off pour débrancher l'instrument.

INSTRUCTION D'UTILISATION [F1]



ATTENTION! Il n'est pas admis d'utiliser l'instrument avec son étrier de mesure (4) installé incorrectement. Il faut installer ce dernier juste au niveau de la partie coupée de la pièce. Traumas et brûlures graves sont possibles.

1. Connecter la fiche à la source correspondante de l'énergie électrique.
2. Ajuster la température nécessaire au moyen du sélecteur (2).
3. Presser et maintenir pressé le commutateur (1) On/Off pour chauffer le couperet (3); le couperet (3) se chauffera jusqu'à la température de travail dans une

minute environ et maintiendra ce température. La diode électroluminescente s'allumera pendant tout le temps de fonctionnement.

4. Quand le couperet (3) se chauffe jusqu'à la température nécessaire, il sera possible d'utiliser sa lame pour la coupe linéaire, ou sa partie latérale pour couper de larges rainures.
5. Il faut libérer le commutateur (1) On/Off et la lame (3) de l'instrument se refroidira graduellement. Déconnecter l'instrument et extraire sa fiche de la prise.



ATTENTION! Après le débranchement de l'instrument, le chaud de son arête coupante (3) se disperse pendant quelques minutes, ce qui demande de la prudence.

Régulation de la profondeur de la coupe

Il faut régler la profondeur de la coupe de l'instrument au moyen de l'étrier de mesure (4). Pour le faire, il faut desserrer deux vis de fixation (5). Extraire l'étrier de mesure (4) à la hauteur nécessaire. Serrer les vis (5) de nouveau.

MAINTENANCE ET STOCKAGE



ATTENTION! Avant de commencer toute manipulation avec l'appareil, débranchez-le.

- Assurez-vous que l'appareil et les ouvertures de ventilation soient propres. Le nettoyage et le service technique réguliers assureront un rendement important et augmenteront la durée de vie de votre appareil.
- Si un appareil de bonne qualité, rigoureusement testé à l'usine tombe malgré cela en panne, la réparation ne doit être confiée qu'au service clientèle IVT.
- Les vis, écrous et boulons doivent être bien serrés – ceci garantit la sécurité et le bon fonctionnement de l'appareil.
- Pour votre sécurité, remplacez les pièces usées ou endommagées.
- Utilisez uniquement les pièces d'origine du fabricant. Sinon leur assemblage sera difficile ce qui pourra causer des dommages.
- Conservez l'appareil dans un endroit sec et inaccessible aux enfants, loin des matériaux inflammables.
- Il est interdit de mouiller l'appareil et d'y verser de l'eau !

PROTECTION DE L'ENVIRONNEMENT



Le recyclage des matières premières pour une réutilisation est mieux que de les jeter.

L'appareil, les dispositifs et l'emballage sont triés pour être recyclés tout en protégeant la nature.

Les éléments en plastique sont classés pour le recyclage. Ce manuel est imprimé sur du papier recyclé sans utilisation de chlore.

FR



ATTENTION! IL EST INTERDIT DE REPARER L'ARTICLE PAR SES PROPRES MOYENS ET DISSIMULER CE FAIT! Seulement le centre de service autorisé IVT a le droit d'exécuter la réparation et l'entretien élargi. Il est interdit de modifier la construction interne de l'article! CES ACTIONS PEUVENT ANNULER LES OBLIGATIONS DE GARANTIE ET CAUSER LES ENDOMMAGEMENTS ET LES BLESSURES GRAVES.



tools for every use

IVT SWISS SA

Via Cantonale, 2
CH-6917 - Barbengo
Switzerland

tel.: +41 (0) 91 6000 555
+41 (0) 91 6000 556
fax: +41 (0) 91 6000 557
e-mail: info@ivt-ht.com
web: www.ivt-ht.com

CHINA

IVT SWISS SA China office
TMC Machinery Co., Ltd.
No. 58-9 Suyuan Avenue, Jiangning
211102 Nanjing
tel.: +86 (0)25 84910500
fax.: +86 (0)25 84910600
web: www.tmc-tools.com

БЕЛАРУСЬ

ООО “Евротаил”
ул. Бирюзова, 10А
220073 г. Минск
тел.: +375 17 251 94 36
+375 17 201 23 45
моб.: +375 44 792 52 44
e-mail: info@sss.by

КАЗАХСТАН

ТОО “Костанай IVT”
ул. Целинная, д.4
110000 г. Костанай
тел.: +7 (7142) 280 700
+7 (7142) 280 701
+7 (7142) 280 702
e-mail: ivt_dir@mail.ru
web: www.ivt.kz

КЫРГЫЗСТАН

ОсОО “ОлАн-Техно”
ул. Медерова, д. 85
720031 г. Бишкек
тел.: +9960312 46 02 91
факс: +996772 57 66 27

РОССИЯ

ООО “Спектр Инструмента”
ул. Танкистов, 179 Б
454085 г. Челябинск
тел. - факс: +8 (351) 247 98 65
+8 (351) 247 98 67
+8 (351) 247 97 59
+8 (351) 225 04 67
+8 (351) 225 04 68
e-mail: ivt-s@mail.ru
alfia@ivt-ht.ru
sales@ivt-ht.ru
web: www.ivt-ht.ru

